

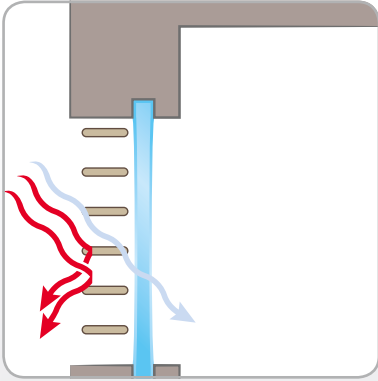


PATENTED TECHNOLOGY

IRISS (Integrated Radiant Image Solar Shading)

Revolutionary sun shading system with integrated imaging functionality

Suncontrol & Transparency



Comfortable inner temperatures at all times while maintaining the contact with the environment

Large glazed façades bring a lot of light into buildings. On sunny days, however, this can lead to overheating and glare. External aluminium sun shading reduces the sunrays before they get in contact with the glass, avoiding the problem of overheating and resulting in comfortable inner temperatures without expensive cooling systems.



Although these blades are installed in front of the glass surface, they still allow the users to maintain the contact with the environment. The minimum distance of 25 mm between the blades allows light to come in, while the vision outwards is not blocked.



Image & Message



First contact

FR are among the most valuable, but often overlooked, branding tools you can imagine. It is often the first contact between a company or venue and its potential customers and visitors. When seeing the location, the journey starts, first impressions are made before a single step inside. Facility branding brings an organization's mission, vision and values to life. Unfortunately, most current applications are made of large solid screens, added to an existing building, ruining its architecture which sometimes result to even a negative image upon arrival.

With IRISS, a building can be equipped with a dynamic transparent video image system, with minimal impact on the architectural design. In fact, the IRISS video image enhance sun shades, are part of the architectural look of a building. It is the best of several worlds. It provides design (opinion) and dynamic imaging.

IRISS is capable of displaying both static and dynamic video based content with 281 trillion colors. Unlike others, IRISS is visible in daylight conditions thanks to its high brightness LEDs. IRISS can be controlled remotely and content can be loaded from anywhere in the world.



Flexibility & Aesthetics



No limits on flexibility

This revolutionary sun shading system offers you maximum flexibility. It is unlimited in size and offers the user the possibility to extend its media façade with further elements in the future.

This system is not only used to create a dynamic media façade on buildings, but can also be integrated in a complete and aesthetical façade solution used for window shading and wall cladding. Combining these blades with integrated LEDs and similar standard blades results in a continuous linear blade view of the entire façade.

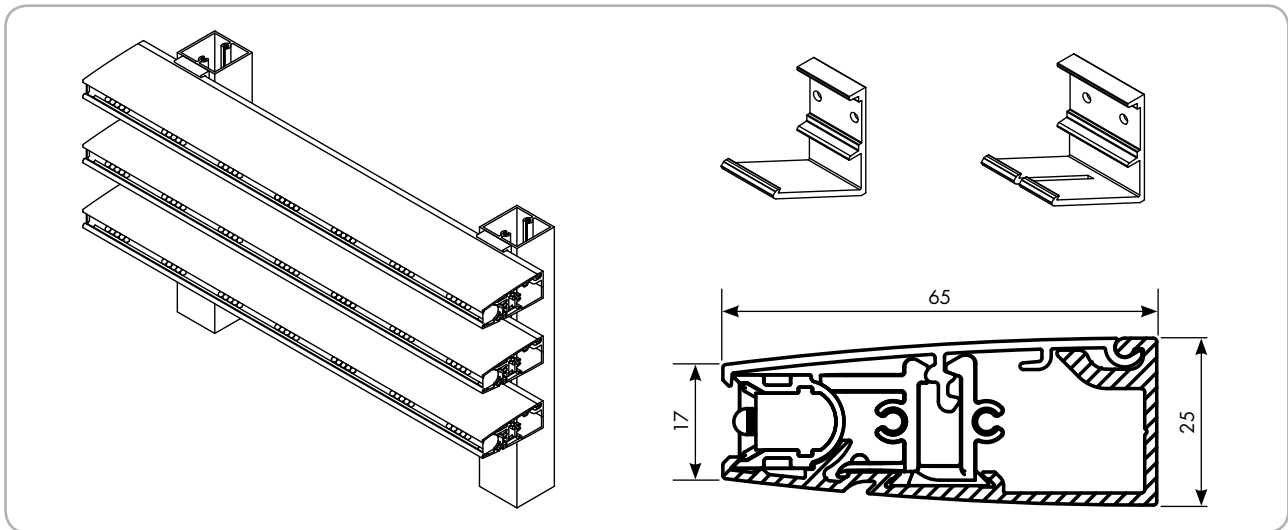
Thanks to the quick fix mounting system, the LEDs can be removed from the wall in a quick way, allowing easy service maintenance.



IRISS @ YouTube



Technical data & Specifications



Standard Length Strip	mm	1991
Pixels per strip	#	33
Pixel pitch (2x R 2xG 1xB)	mm	60,45
LED pitch	mm	5
Refresh rate	Hz	3200
Color depth	Bit	16 bit/color (281 trillion)
luminous intensity/ meter	Cd	165
Horizontal viewing angle (@50% brightness)	°	110
Vertical viewing angle (@50% brightness)	°	50
Maximum Power consumption	w/m	12,4
Typical Power consumption	w/m	4,2
Operation power voltage	V	200-240V / 50-60Hz
LED lifetime (till 50% initial brightness)	h	100,000
LED Strips per hub output	#	7
LED Strips per hub	#	56
LED Strips per controller	#	448
LED Strips per power supply	#	448
Max distance between strips (output to input)	m	5
Standard gap between LED strips	mm	4
Protection rate	IP	65
Typhoon classification		Typhoon 24/7
Ambient temperature (min-max)	°C	-20 / +50
Certification	°	RohS / CE / FCC class A

Materials

- Aluminium extrusion, alloy EN AW 6063 T66

Finish

- Polyester powder coating RAL or Syntha Pulvin® colours (60 - 80 µ/40 µ (UK))

Pitch

- Vertical (blade): minimum 50 mm, to be determined in function of the specific project
- Horizontal (LED's): 60, 45 mm

Span

- The max. unsupported span between two mullions will depend on the local wind pressure

Blade support

- Blade supports:
- Single blade support: width 28 mm
- Double blade support for thermal expansion: width 34 mm (connection piece for 2 blades)

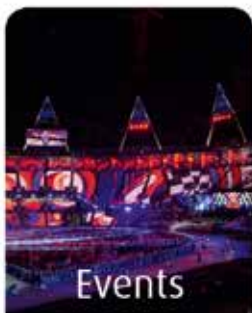


Creating healthy spaces

RENSON®: your partner in ventilation and sun protection

RENSON®, headquartered in Waregem (Belgium), is a trendsetter in Europe in natural ventilation and sun protection.

- **Creating healthy spaces:** from 1909, we've been developing energy efficient solutions assuring a healthy and comfortable indoor climate. Our remarkable headquarters - built according to the 'Healthy Building Concept' – is a beautiful example portraying our corporate mission.
- **No speed limit on innovation:** a multidisciplinary team of more than 50 R&D employees continually optimize our products and develop new and innovative concepts.
- **Strong in communication:** contact with the customer is of the utmost importance. A group of 70 in-the-field employees worldwide and a powerful international distribution network are ready to advise you on site. EXIT 5 at Waregem gives you the possibility to experience our products on your own and provides necessary training for installers.
- **A reliable partner in business:** we can guarantee our customers optimal quality and service thanks to our environmentally friendly and modern production sites (with automated powder coating line, anodisation line, uPVC injection molding machinery and mold making shop) covering an area of 75.000 m².



BARCO® - visibly yours

About Barco

Barco, a global technology company, designs and develops visualization products for a variety of selected professional markets. Barco has its own facilities for Sales & Marketing, Customer Support, R&D and Manufacturing in Europe, North America and Asia Pacific. Barco (NYSE Euronext Brussels: BAR) is active in more than 90 countries with about 4,000 employees worldwide. Barco posted sales of 1.158 billion euro in 2013.

About Barco LiveDots

LiveDots, a Barco company, offers a complete range of high impact LED screens for permanent installations and the rental and staging market. Based on decades of experience, Barco LiveDots offers display solutions in any shape or size: from the most straight-on, cost-effective LED tile for 24/7 use to the top-end display solutions. Barco LiveDots supports high-profile brands in over 50 world capitals and its equipment sets the scene for more than 2,500 events every year.



www.renson.eu



www.barco.com

