

STAINLESS STEEL SANITARYWARE

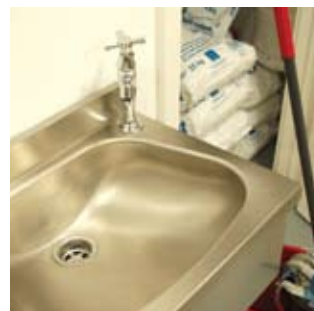


- WCs
- Urinals
- Wash Troughs
- Basins
- Drinking Fountains
- Mirrors
- Baths
- Sluice Sinks
- Sand Traps
- Bins
- Cleaners' Sink
- StorTidy Shelving

Product Specification Data
Please read in conjunction with
GEC Anderson brochure:
*Sinks, Worktops, Cabinets,
Shelving & Sanitaryware*

A comprehensive range of safe and highly durable sanitary appliances that is functional, hygienic, attractive and suitable for use in a wide variety of applications including public, commercial, industrial and institutional environments. Examples include: public and commercial washrooms, bathrooms, changing rooms, public areas, general ablution and cleaning areas and staff facilities.

Their non-chip, shatterproof and robust construction makes GEC Anderson sanitary appliances ideal for areas subject to sustained heavy use and vandalism. Hygienic and easy to clean brushed satin stainless steel surfaces make them the practical choice whenever low maintenance, long-life facilities are desirable.



WC PANS

GEC Anderson stainless steel WC pans combine an unrivalled trap-performance with minimal flush-volumes (6 litres and below). The security flushing-rim is standard, preventing interference, ligature points and space for contraband. A highly durable outer shroud makes them virtually indestructible, yet highly distinctive, hygienic and attractive. Special adaptations and variations are also available. EN 1.4301 stainless steel.

- VI30 low-flush WC and cistern with S-trap
- VI31 cantilevered wall mounted WC with P-trap and wall fixing plate
- VI31 HCP cantilevered wall hung WC for disabled facilities with P-trap and wall fixing plate
- VI35 flush to floor and wall WC with P-trap and wall fixing plate

Standard specification

- Drilled for seat and lid
- Ø38mm push-fit inlet
- Ø100mm trap outlet

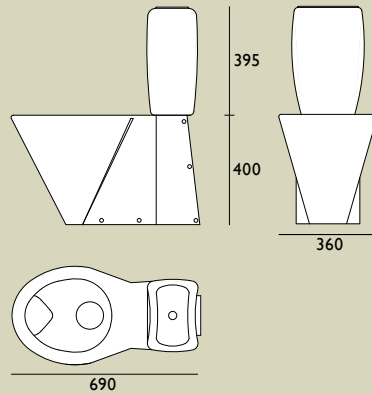
Options

- Seat and lid
- Supplied un-drilled
- Seat pads (black isopal)
- Ø50mm vacuum outlet (eg. for marine environments)
- VI30 available with P-trap
- Security fixing, excluding plate (not VI30)

FLOOR FIXED WC



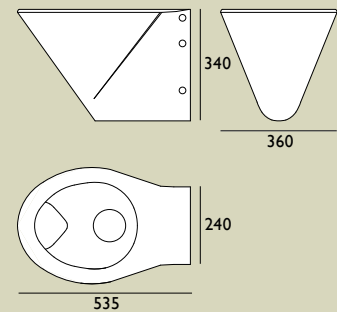
VI30



CANTILEVERED WALL MOUNTED WC



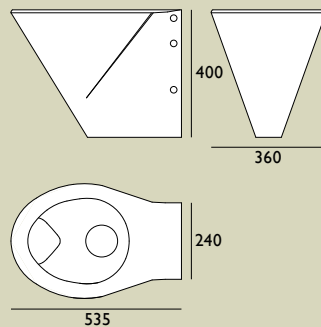
VI31



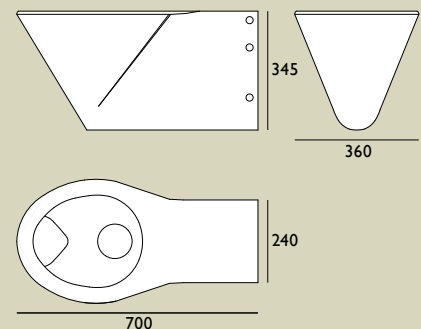
FLOOR FIXED/WALL MOUNTED WC



VI35



VI31 HCP



URINALS

GEC Anderson urinals are available in trough and bowl models and are made from EN 1.4401 stainless steel. Recommended installation height: 650mm.

- V345 wall mounted bowl urinal. Spreader plate, 15mm top inlet, Ø38mm grated waste and plastic trap for wall outlet. Concealed top fixing with screw fixing at base
- V301 wall mounted trough urinal with triangular splashguards and concealed sparge pipe. 600 – 3000mm (special sizes to order). Supplied ready for plumbing with Ø38mm grated waste 130mm from left or right. Ø25mm threaded flush pipe inlet fitting. Concealed fixing strip. 600mm length per user space is recommended

Options

- V345 with concealed inlet
- V345 with exposed outlet
- V301 side or back flush pipe inlet connection
- V301 corner boxing for L-shaped sections

WASH TROUGHS

GEC Anderson wash troughs are wall mounted with rear shelf, triangular wall brackets and tapholes as required. 600 – 3000mm (special sizes to order). Supplied ready for plumbing with Ø38mm grated waste 130mm for left or right. 600mm length per user space is recommended. EN 1.4301 stainless steel.

- V240 wash trough with splashback
- V246 wash trough

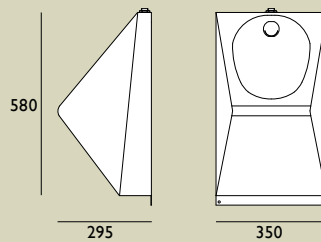
Option

- V246 with 40mm stand-off fixing position

WALL MOUNTED BOWL URINAL



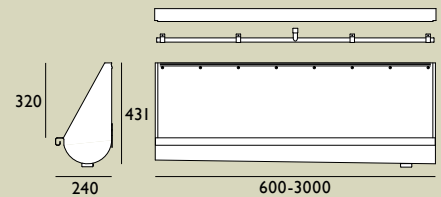
V345



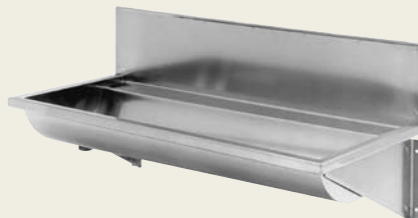
WALL MOUNTED TROUGH URINAL



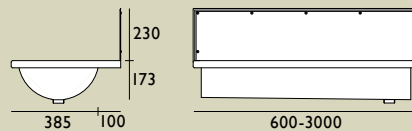
V301



WASH TROUGH WITH SPLASHBACK



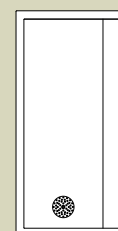
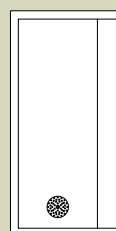
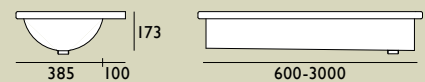
V240



WASH TROUGH



V246



WALL HUNG BASINS – DRINKING FOUNTAINS



BASINS

GEC Anderson stainless steel basins provide a stylish, hygienic and exceptionally durable solution to indoor and outdoor wash basin and drinking fountain requirements. With concealed, integral fixings, smooth edges and corners for improved safety, appearance and easy cleaning. Ø32mm grated waste, outlet, overflow and captive plug. Tapholes as required. EN 1.4301 stainless steel.

- V214 (DF214)
- V214C (DF214C)
- V216 (DF216)
- V216 HCP (DF216 HCP)
- GB4000 (DF4000)
- WB45

Options

- Drinking fountain (DF)
- EN 1.4401 stainless steel (not WB45)
- WB45 with knee operated tap and spout

PILLAR FOUNTAINS

GEC Anderson pillar fountains are highly robust with anti-vandal construction from 4.5mm tubular steel, clad with Imm EN 1.4301 brushed satin stainless steel. Floor fixed with pressure adjustment valves, Ø32mm grated waste and spray nozzle.

- DF210 indoor pillar fountain
- DF211 outdoor pillar fountain with lockable hood and galvanised underground foundation





MULTI-STATION BASINS

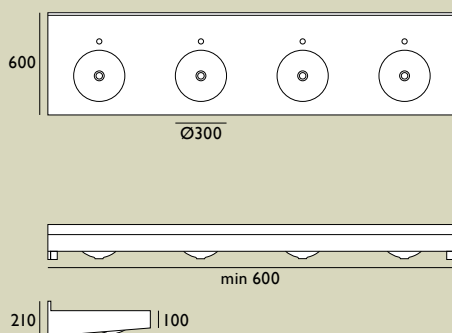
Multi-station basins are made to order in any length with choice of basins in any position or combination. 100mm front edge profile with 60mm back upstand and concealed fixings.

600mm length per user space is recommended. Supplied ready for plumbing. EN 1.4301 stainless steel.

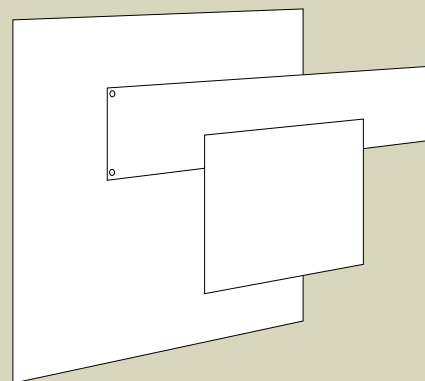
Options

- Alternative edges
- Tapholes as required

MULTI-STATION BASIN



MIRRORS



MIRRORS

GEC Anderson mirrors are made in any size (maximum: 2 x 1 metres) using 1mm EN 1.4301 stainless steel. They are unbreakable, easy to clean and therefore ideal for areas at high risk of vandalism. Fix using pre-drilled screwholes (please specify) or with adhesive.

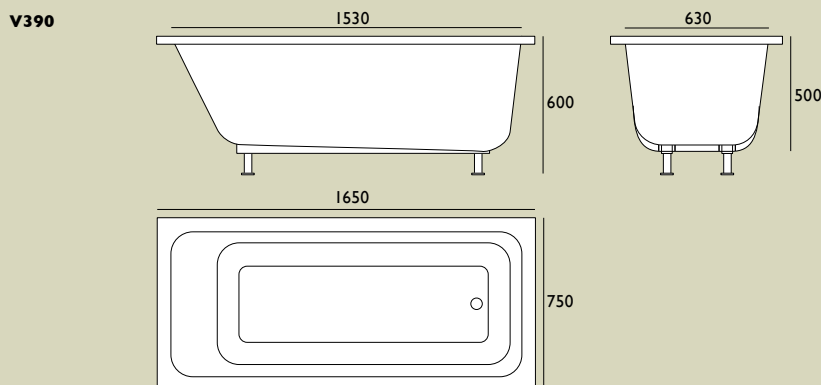
BATH

GEC Anderson V390 bath is made from 2mm EN 1.4301 stainless steel and is suitable for treatment areas (eg. dermatology) and areas subject to vandalism. Supplied complete with Ø38mm outlet and captive plug. 4 No adjustable feet.

Options

- EN 1.4401 acid resisting grade
- Overflow
- Tapholes
- Side and end panels in EN 1.4301 stainless steel

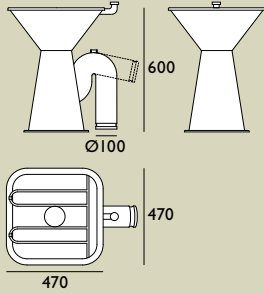
BATH



PEDESTAL SLUICE



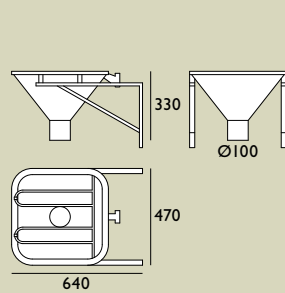
V15



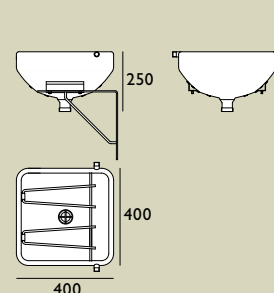
WALL MOUNTED SLUICES



V151



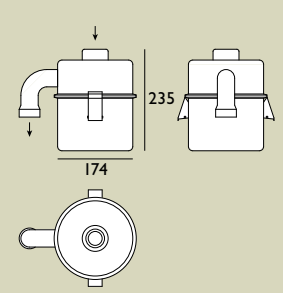
V20



SAND TRAP



V220



SLUICE SINKS

GEC Anderson sluice sinks with hinged grid, flushing-rim and waste grate can be wall fixed or integral to stainless steel sinktops, with or without additional sink bowl(s). Ready for plumbing. EN 1.4401 stainless steel.

- V151 Ø100mm outlet (excluding trap). Ø38mm push-fit rear inlet suitable for use with cistern or interval supply
- V15 with Ø100mm S-trap. Ø38mm push-fit rear inlet suitable for use with cistern or interval supply
- V20 Ø38mm waste and plastic trap assembly. Ø15mm left or right hand threaded inlet suitable for use with interval supply

Options

- V151 trap assembly
- V15 available with P-trap

SAND TRAPS

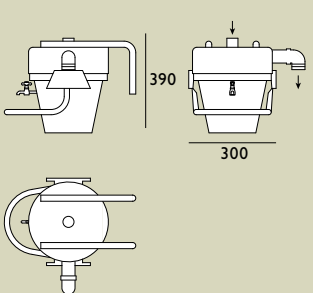
GEC Anderson sand traps have an all stainless steel (EN 1.4301 grade) construction for durability, hygiene and professional appearance. A quick-release container allows quick and easy disposal of captured materials. Ø38mm threaded top inlet and reversible left or right outlet fittings.

- V55 gypsum separator provides highly effective separation of finer residues but also heavy metals. A unique combined release-bar and handle ensures rapid waste disposal. Additional wall support is provided via adjustable cantilever brackets
- V220 sand trap is suitable for use in environments with lower capacity requirements

GYPSUM SEPARATOR



V55



CLEANERS' SINK

CLEANERS' SINK

GEC Anderson UG40 cleaners' sink is wall mounted with hinged bucket grid and textured stainless steel splashback – to avoid need for tiling. EN 1.4301 stainless steel.

Options

- Excluding grid
- Excluding splashback



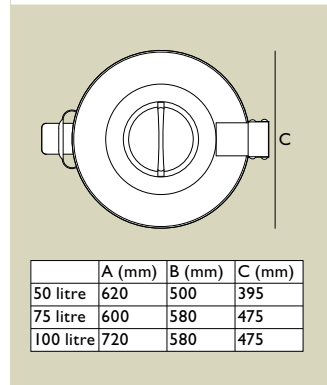
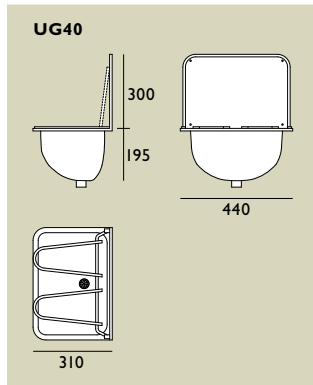
BINS

BINS

GEC Anderson bins are smart, durable, easy to clean and functional. With twin castors and Ø60mm rubber tyre, pedal operated lid and available in choice of capacities: 50, 75, 100 litres. EN 1.4301 brushed satin stainless steel.

Option

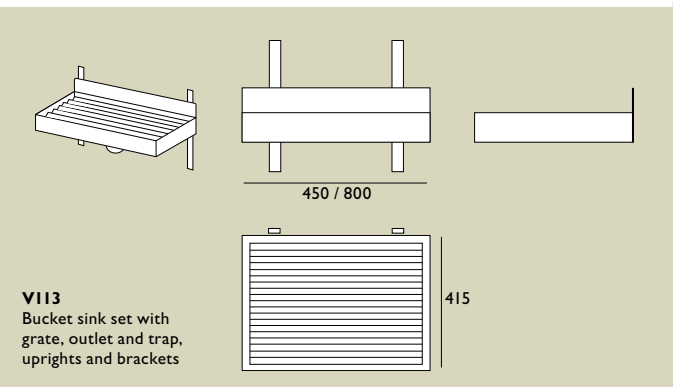
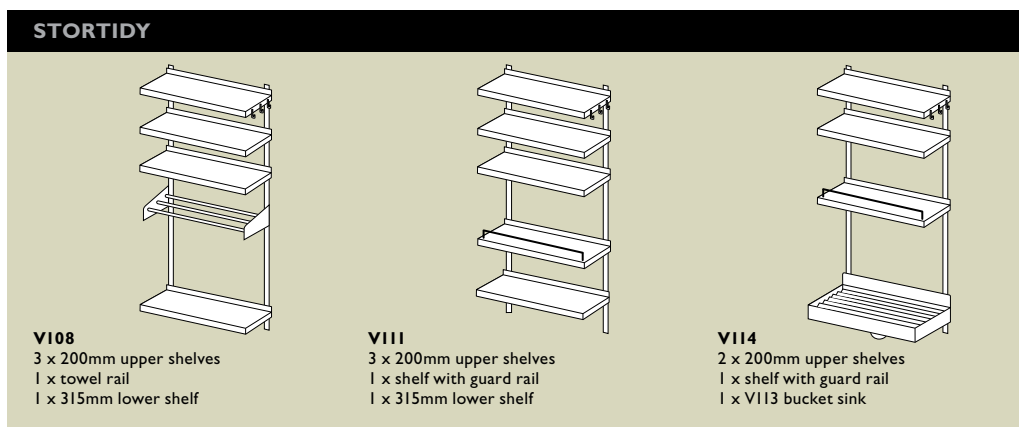
- Lift-off lid



STORTIDY

The GEC Anderson StorTidy is based on the popular, versatile, adaptable, hygienic, neat and durable V90 stepless shelving system and ideally provides professional, open fronted storage in cupboards and stores where space may be limited. The StorTidy is available in 450 and 800mm widths. Non-standard configurations are available to order. EN 1.4301 stainless steel.

- VI08 StorTidy with intermediate 3-bar towel rail
- VIII StorTidy with intermediate shelf and guard rail 315mm
- VI14 StorTidy with intermediate shelf and guard rail 315mm and VI13 bucket sink
- VI13 optional bucket sink 450 or 800 x 415mm



**COMPREHENSIVE,
PROFESSIONAL, FRIENDLY
AND EFFICIENT SUPPORT**

- **Technical advice and design guidance**
Available when you need it, regardless of project scale.
- **Rapid product specification and quotation**
Assisting you with meeting deadlines and to safeguard specifications.
- **Secure ordering procedures**
For added assurance and peace of mind.
- **Pre-production CAD drawings**
For clarity, time-saving and added assurance.
- **Dependable, on-time and co-ordinated deliveries**
Helping you to avoid costly delays and adhere to work-programs.
- **Measuring and installation service**
Let us take care of it for you.
- **Cleaning and maintenance guidance**
Full instructions and back up, including the E-cloth® system.
- **Technical product literature**
Carefully designed for clarity and ease of reference.
- **www.gecanderson.co.uk**
Comprehensive product data; case studies and examples; news items; specification clauses and CAD drawings.

Please contact us if we can help you in any way!

ORDERING

Standard products

Often available from stock. Simply provide product reference; quantity required.

Special products

Made to order.

- Please specify your requirements and/or refer to us for quotation and specification
- Upon receipt of order, we will issue our pre-production drawing to you, for approval
- A site visit will be arranged and dimensions and templates will be taken if GEC Anderson is installing for you
- As soon as your approval is obtained, your order will be placed into production
- We will confirm your order, in writing, to you with a confirmed delivery date
- Delivery, to the location of your choice, will be arranged and coordinated
- Installation will be pre-arranged where appropriate

Please indicate any delivery requirements or instructions.

Please ensure safe disposal of packaging.

For clarity and to minimise risk of errors, we ask for orders, in writing please.

**INSTALLATION AND
MAINTENANCE**

Leave plastic surface protection in place until installation is complete. GEC Anderson recommends the E-cloth® system. Alternatively, wash with cold water and detergent. A fine scouring powder will remove persistent stains. Do not use coarse abrasive cleaners or bleach! Strong acids can mark and pit stainless steel.

**OTHER PRODUCTS
FROM GEC ANDERSON**

MADE-TO-MEASURE

Stainless steel sinks, worktops, cabinets, panels, doors & shelving

DECIMETRIC®

Professional quality, modular kitchen furniture system

'The GEC Anderson stainless steel products and surfaces in the toilets have withstood all wear and tear – without signs of vandalism. The original aim was to specify products that deter and resist vandalism.'

*Robert Davey,
Facilities and Estates, Heart of England NHS Foundation Trust*



GEC Anderson Limited Oakengrove Shire Lane Hastoe Tring Hertfordshire HP23 6LY
Tel +44 (0)1442 82 6999 Fax +44 (0)1442 82 5999 info@gecanderson.co.uk www.gecanderson.co.uk