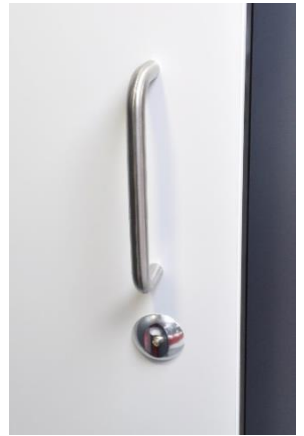


Classic



An attractive and highly flexible modular system, Classic offers a robust solution to any dry area washroom. Panels are faced with durable high pressure laminate and finished with a matching impact resistant lipping creating a great value solution for a vast range of applications.

Classic uses our exclusive range of high quality polished aluminium hardware for unrivalled durability in the washroom environment.

designers and manufacturers of exemplary washroom systems

call 01603 424855 fax 01603 413336 email info@dunhamsofnorwich.co.uk
Dunhams Washroom Systems The Granary School Road Neatishead Norwich NR12 8BU

www.dunhamsofnorwich.co.uk

VAT Registration No. 105 2240 29

Partners BH Dunham MH Dunham JN Dunham SG Dunham TJ Percival

Specification

Pilasters/Divisions/Doors

HPL

Core/Face: High density particleboard faced both sides with high pressure laminate giving 18mm nominal thickness

Edge: Matching 2mm thick impact resistant ABS lipping

Colour: From the Dunhams colour selector

Hardware

All fittings manufactured from high quality polished aluminium

Pedestals: Sturdy, solid rolled design with adjustable height to accommodate uneven floors

Hinges: High strength insert with anti-breakout sleeve and self-closing cams

Indicator Bolt : Easy slide action lock with integrated buffer and emergency door release facility

Partition Fixing: Partitions secured with aluminium D brackets and stainless steel bolt-thru fixings

Headrail: D section headrail for maximum strength

Coat Hook: Matching coat hook, 1 per cubicle

Dimensions

Overall Height: 1960mm

Widths: from 700mm

Floor Clearance: 150mm

Depth: 1500mm standard (see quote for depth allowed)

Panel Thickness 18mm

designers and manufacturers of exemplary washroom systems

call 01603 424855 fax 01603 413336 email info@dunhamsofnorwich.co.uk

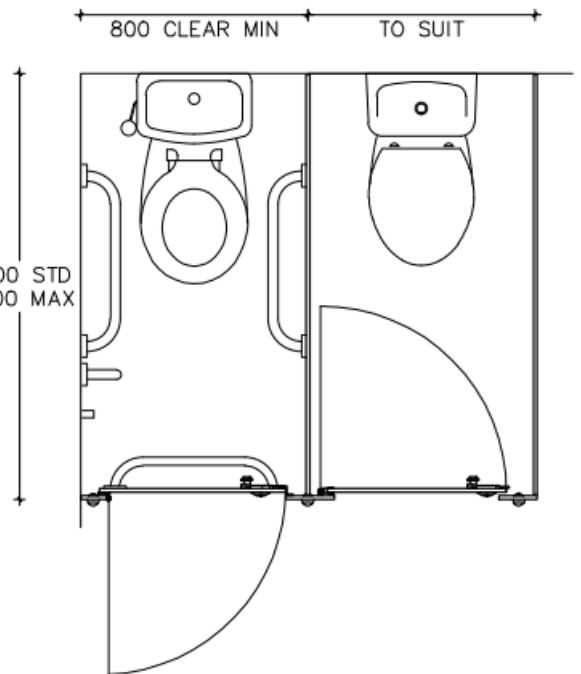
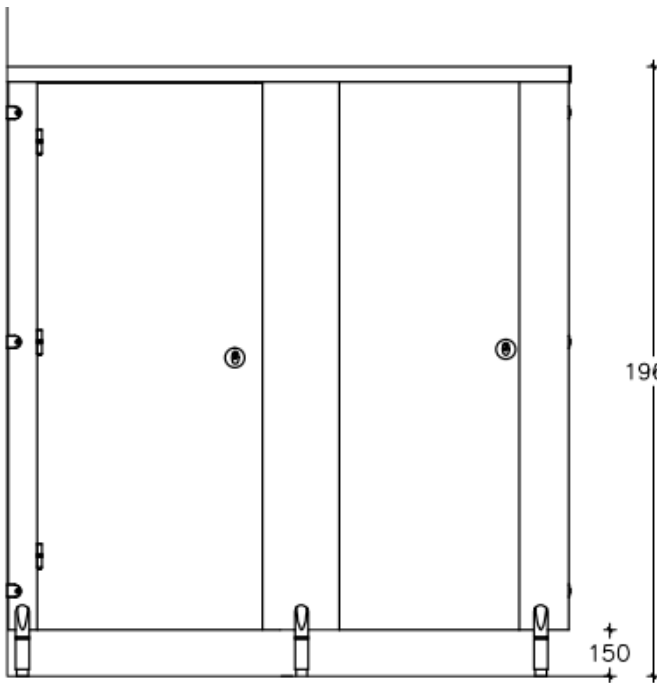
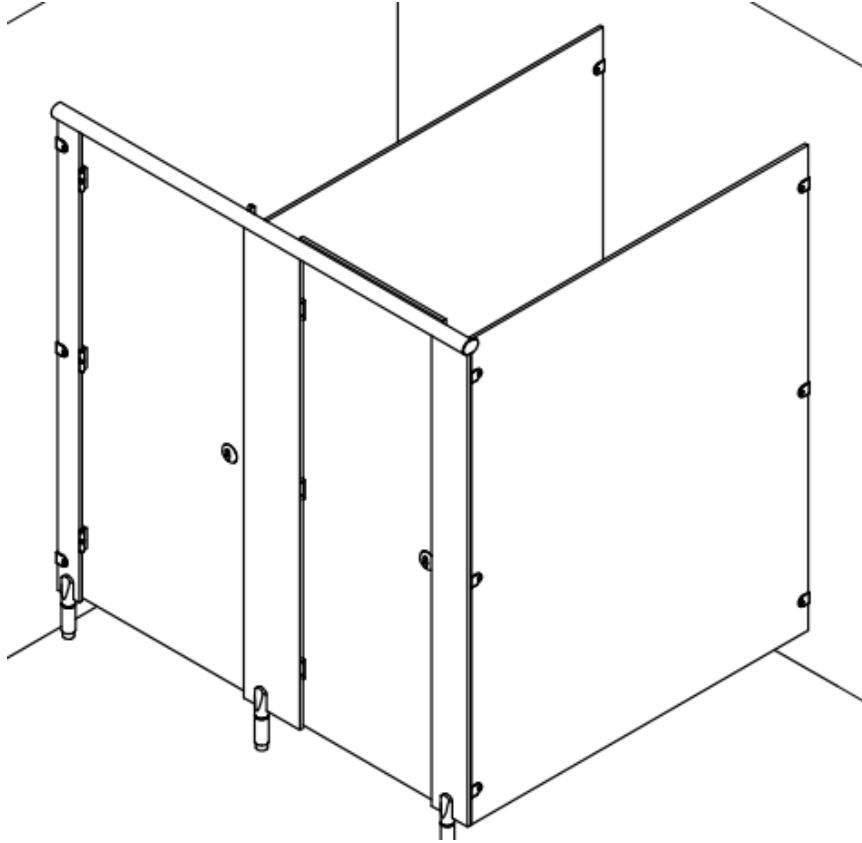
Dunhams Washroom Systems The Granary School Road Neatishead Norwich NR12 8BU

www.dunhamsofnorwich.co.uk

VAT Registration No. 105 2240 29

Partners BH Dunham MH Dunham JN Dunham SG Dunham TJ Percival

Technical Drawings



designers and manufacturers of exemplary washroom systems

call 01603 424855 fax 01603 413336 email info@dunhamsofnorwich.co.uk
Dunhams Washroom Systems The Granary School Road Neatishead Norwich NR12 8BU

www.dunhamsofnorwich.co.uk

VAT Registration No. 105 2240 29

Partners BH Dunham MH Dunham JN Dunham SG Dunham TJ Percival