

Altitude



Our floor-to-ceiling Altitude system offers the perfect mix of total privacy, stunning aesthetics and robust construction.

Altitude cubicles are available in a variety of configurations to suit your design requirements and in 2 high performance panel options to suit your application and budget.

designers and manufacturers of exemplary washroom systems

call 01603 424855 fax 01603 413336 email info@dunhamsofnorwich.co.uk
Dunhams Washroom Systems The Granary School Road Neatishead Norwich NR12 8BU

www.dunhamsofnorwich.co.uk

VAT Registration No. 105 2240 29

Partners BH Dunham MH Dunham JN Dunham SG Dunham TJ Percival

Specification

Pilasters/Divisions/Doors

Panel Detail: Full height cubicle system

Design options

- Option 1: All panels full height
- Option 2: Std height doors with overpanel above

Panel spec options

SGL:

- Core/Face: Solid grade laminate with colour finish to both sides giving 13mm nominal thickness
- Edge: Polished and radiused

HPL

- Core/Face High density particleboard faced both sides with high pressure laminate giving 18mm nominal thickness
- Edge Matching 2mm thick impact resistant ABS lipping

Colour: From the Dunhams colour selector

Hardware

All fittings manufactured from high quality polished aluminium

Pedestals: Solid rolled pedestal giving 25mm floor clearance

Hinges: High strength insert with anti-breakout sleeve and self-closing cams

Indicator Bolt: Easy slide action lock with integrated buffer and emergency door release facility

Partition Fixing: Partitions secured with aluminium D brackets and stainless steel bolt-thru fixings

Headrail: D section headrail for maximum strength

Coat Hook: Matching coat hook, 1 per cubicle

Dimensions

Overall Height: 2400mm std (see quote for height allowed)

Widths: from 700mm

Floor Clearance: 25mm

Depth: 1500mm standard – 1850mm maximum

Panel Thickness:

- SGL: 13mm
- HPL: 18mm

Options

- Extra privacy channel skirting to divisions for 0mm floor clearance

designers and manufacturers of exemplary washroom systems

call 01603 424855 fax 01603 413336 email info@dunhamsofnorwich.co.uk

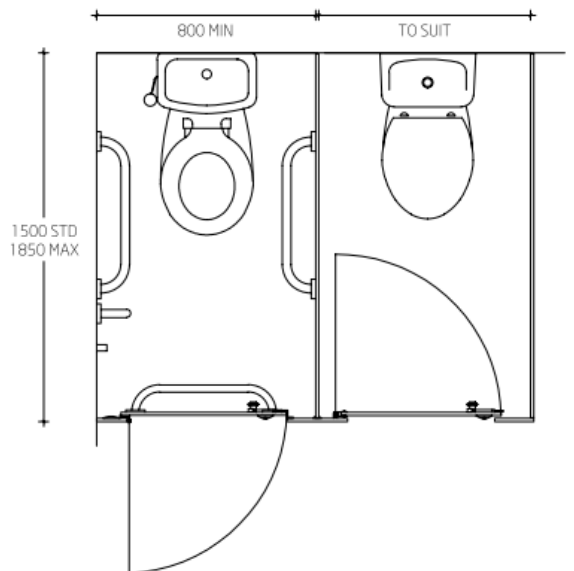
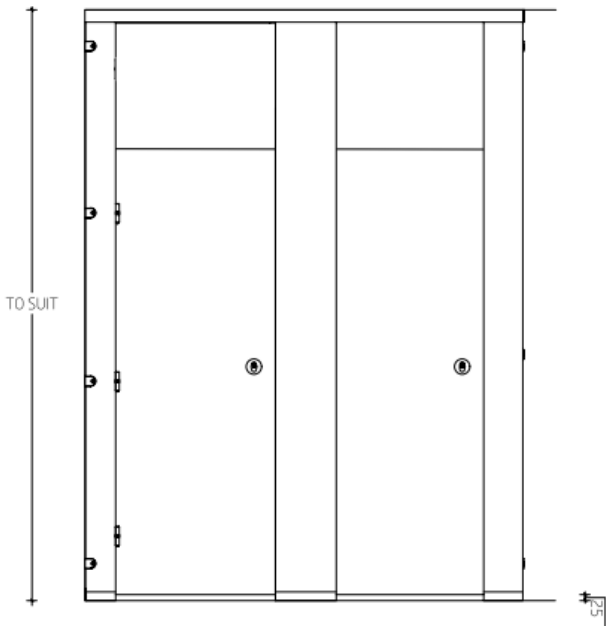
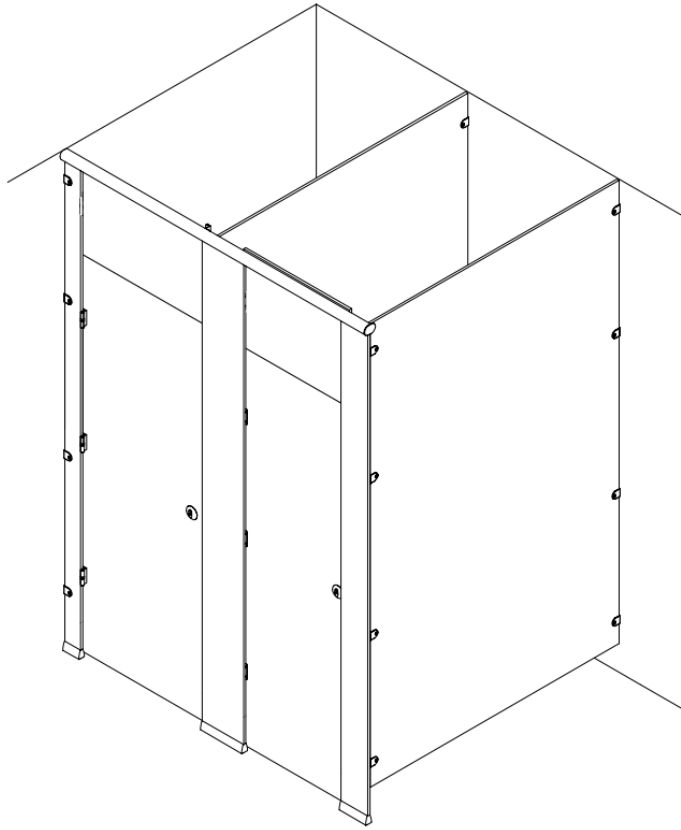
Dunhams Washroom Systems The Granary School Road Neatishead Norwich NR12 8BU

www.dunhamsofnorwich.co.uk

VAT Registration No. 105 2240 29

Partners BH Dunham MH Dunham JN Dunham SG Dunham TJ Percival

Technical Drawings



designers and manufacturers of exemplary washroom systems

call 01603 424855 fax 01603 413336 email info@dunhamsofnorwich.co.uk
Dunhams Washroom Systems The Granary School Road Neatishead Norwich NR12 8BU

www.dunhamsofnorwich.co.uk

VAT Registration No. 105 2240 29

Partners BH Dunham MH Dunham JN Dunham SG Dunham TJ Percival