



reddot winner 2020  
innovative product

Fast. Faster.

# VetroMount<sup>®</sup>



Mount glass balustrades with tested safety in record time

# ONE SYSTEM. COUNTLESS POSSIBILITIES.

---

Thanks to its four profile variants, the tested and versatile VetroMount® glass balustrade system is suitable for a great variety of installation settings. The General Building Inspection Test Certificate (AbP) underlines the high-quality standards. The system is based on an intelligent fastening mechanism with patented glass bearings. They enable the continuous adjustment of glass panes, which can subsequently be fixed in the profile, granting 100% safety. The installation is quick and cost-efficient.

## **Tested system with structural analysis**

- On concrete and steel
- For attics from 400 mm
- For enamelled glass (Floor and Side Profile U)

## **Approval**

- Private (0.5 kN)
- Public (1.0 kN)

## **Glass thicknesses:**

- 12.76 mm & 13.52 mm
- 16.76 mm & 17.52 mm
- 20.76 mm & 21.52 mm

## **Glass dimensions**

- Min. width: 300 mm
- Max. height: 1300 mm

## **Flexibility**

- With and without cover profiles
- Floor connection and building connection profiles
- LED illumination can be integrated optionally

## **Glass fixing**

- In record time thanks to patented glass bearings

## **Glass alignment**

- Continuous adjustability by up to  $\pm 20$  mm

## **Material**

- Aluminium with protective 25  $\mu$ m anodised layer





## Contents

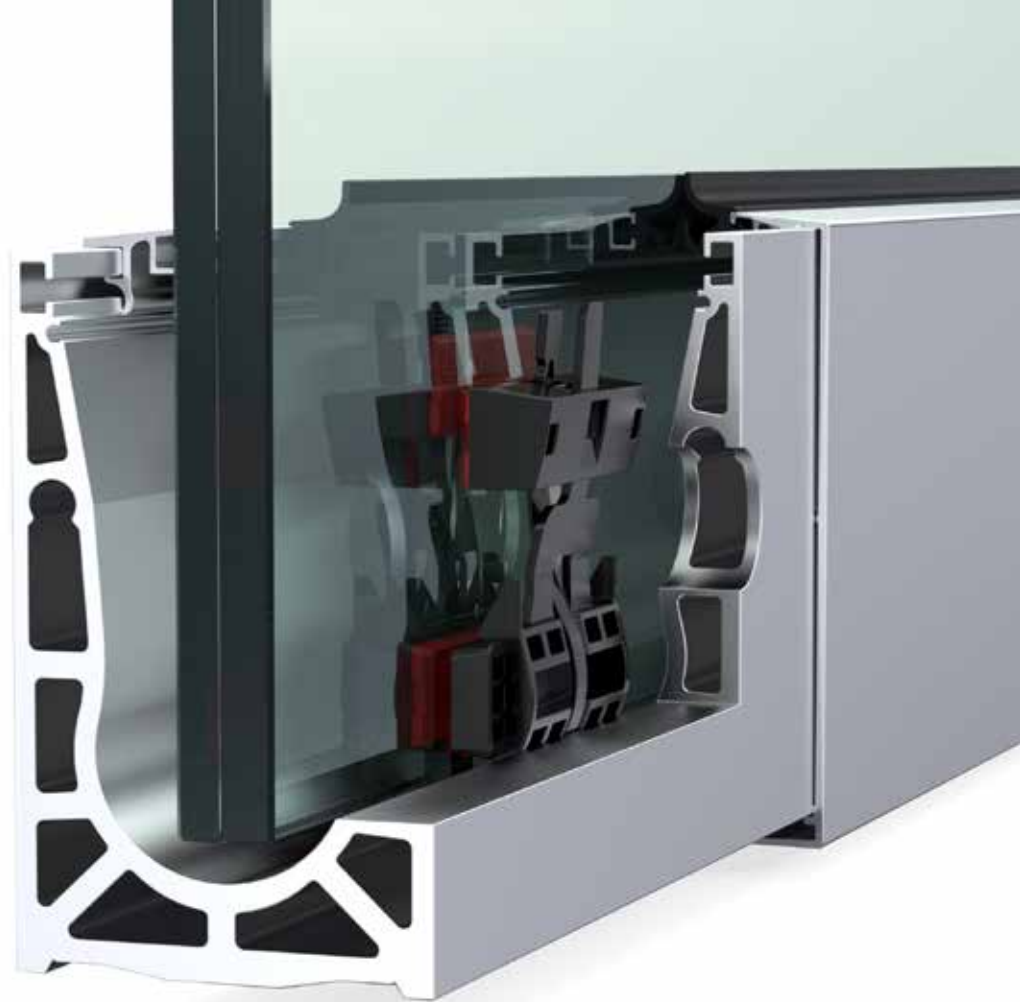
---

Glass fixing with revolutionary technology	4 – 5
Floor Profile U for top mounting	6 – 11
Floor Profile F for top mounting	12 – 17
Floor Profile U for projecting installation	18 – 23
Side Profile Y for projecting installation	24 – 28
Handrails	29 – 31
Accessories	32 – 33
Handling	34 – 35
Drainage	36
Floor connection and building connection profiles	37
Comprehensively certified	38 - 39
Easy disassembly	40
Our service to you	42
About Bohle	43



reddot winner 2020  
innovative product





# GLASS FIXING EQUIPPED WITH REVOLUTIONARY TECHNOLOGY

---

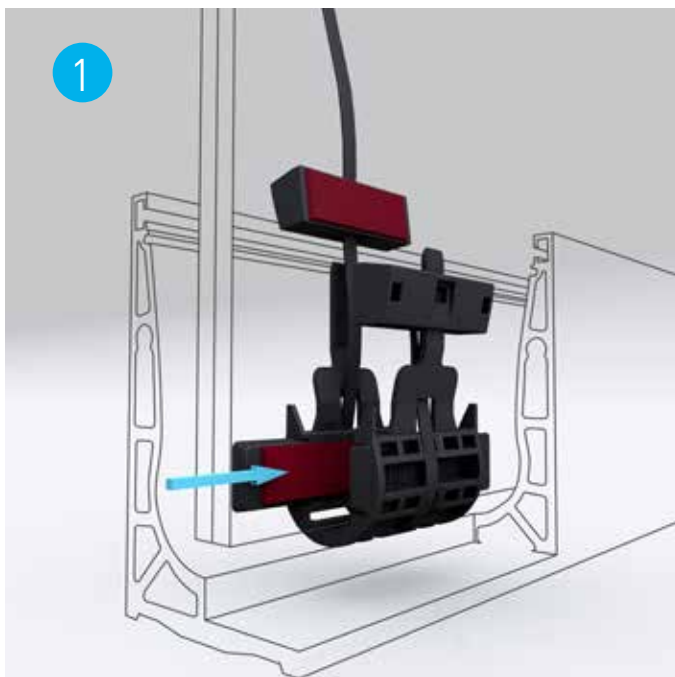
Nothing is simpler: With VetroMount®, no single parts need to be assembled for the safety mechanism. The completely pre-assembled glass bearing units are simply inserted into the profile and the glass is put in subsequently.

## **Fast. Simple. Safe.**

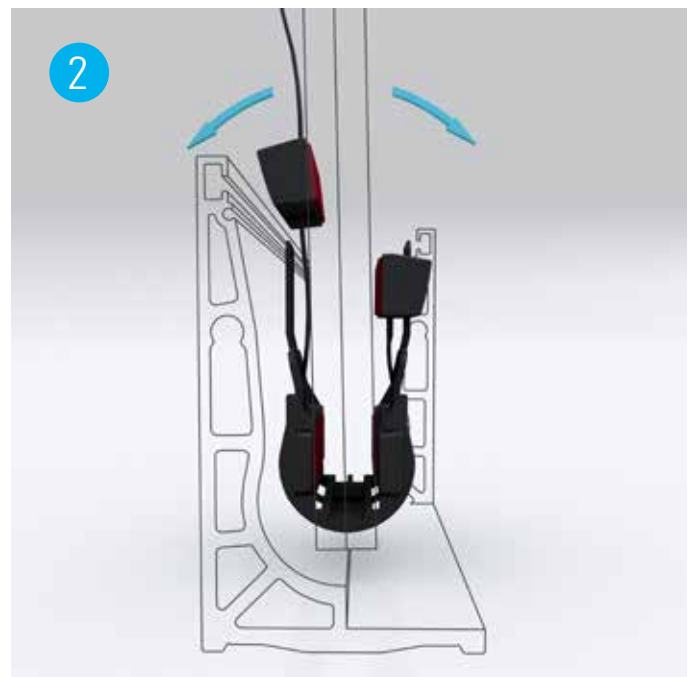
- Save time thanks to pre-drilled profiles and only a few fixing points.
- Patented glass fixing in three quick steps
- Continuous adjustment of glass panes
- Installation from the inside (opposite the fall side)
- Quick disassembly of the whole pane with a standard screwdriver (see page 40)

VetroMount® can be mounted with a few simple steps. While the floor profiles usually only need a simple concrete screw every 400 mm for fastening, the glass is fixed based on the well-known cable-tie principle.

## Safely anchor the glass pane in 3 steps – thanks to the intelligent cable-tie principle.



To **fix the glass pane**, simply push the lower clamping wedge to one side. The easiest way to do this is by using the mounting aid on page 32.



The **glass inclination** can be adjusted manually without the need for any tools ( $\pm 20$  mm for a glass height of 1 m). The glass bearings move continuous and simultaneously inside the profile.



When it comes to anchoring the glass, simply engage the pull strap while the upper tensioning wedge safely locks into place – as ingenious as the cable-tie principle.



Fast. Simple. Safe.  
The patented safety mechanism  
from VetroMount®  
Watch installation video!



## Product Highlights

---

- Tested fastening mechanism on concrete and steel
- Tested for attics
- Tested for enamelled glass
- Screw usually required only every 400 mm
- Installation with and without cover profile
- Floor connection and building connection profiles available
- Glass heights up to 1300 mm
- Glass width from 300 mm possible
- Optional drainage with the aid of intermediate connectors
- Aluminium with protective anodised layer
- LED illumination can be integrated optionally

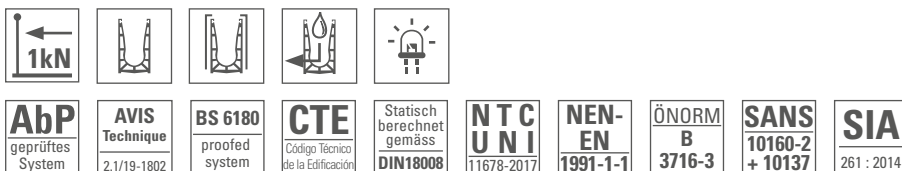
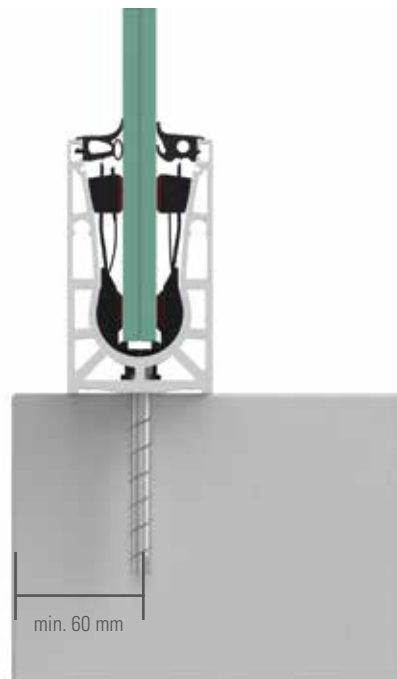


reddot winner 2020  
innovative product



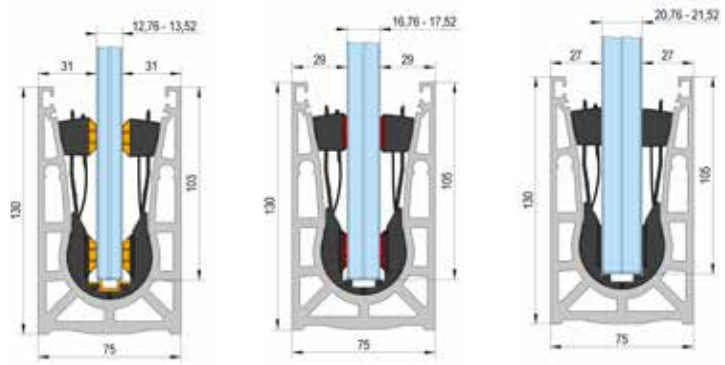
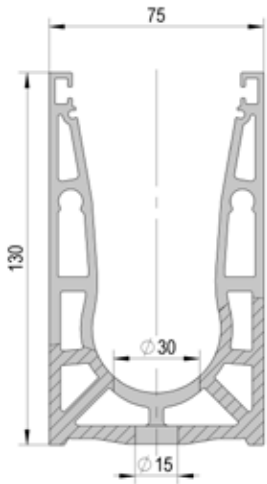
# FLOOR PROFILE U FOR TOP MOUNTING

The Floor Profile U for top mounting is made of extruded aluminium, stands out due to its high-quality appearance, and is tested for both steel and concrete. We recommend intermediate connectors for fast drainage – the connectors are fixed in between the floor profiles with a simple plug connection.



For further explanations, see page 43.

## VetroMount® Floor Profile U



LENGTH	FINISH	DRILL HOLES	ART. NO.	SALES UNIT
2500 mm	Aluminium colour anodised E6/C0	13	BO 5403008	1 x
5000 mm	Aluminium colour anodised E6/C0	25	BO 5403010	1 x



## VetroMount® Mounting Set (glass bearings/rubber seals)



Glass bearings  
13 x (2500 mm)  
26 x (5000 mm)  
+  
2 x rubber seals



- For the version **without** cover profile
- Only 4 glass bearings per metre



PROFILE	12.76 mm	13.52 mm	16.76 mm	17.52 mm	20.76 mm	21.52 mm
L = 2500 mm	BO 5403084	BO 5403086	BO 5403090	BO 5403092	BO 5403096	BO 5403098
L = 5000 mm	BO 5403085	BO 5403087	BO 5403091	BO 5403093	BO 5403097	BO 5403099

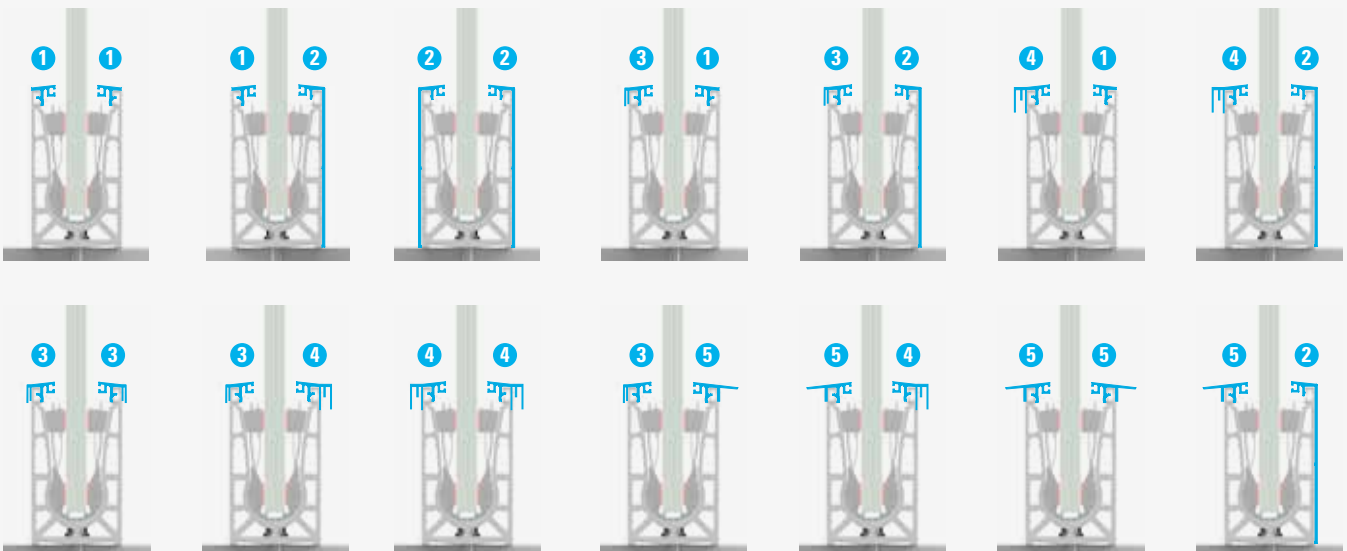
- For the version **with** cover profile
- Narrow rubber profile
- Only 4 glass bearings per metre



PROFILE	12.76 mm	13.52 mm	16.76 mm	17.52 mm	20.76 mm	21.52 mm
L = 2500 mm	BO 5403068	BO 5403070	BO 5403074	BO 5403076	BO 5403080	BO 5403082
L = 5000 mm	BO 5403069	BO 5403071	BO 5403075	BO 5403077	BO 5403081	BO 5403083



Possible combinations for cover profiles / structural connection profile / floor connection profile





## VetroMount® Cover Profile, top

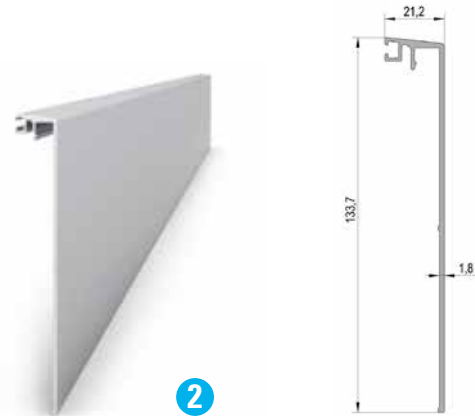


- Simple slide-on installation
- The rubber sealing profile is simple to mount
- Powder-coating possible
- Material: aluminium



LENGTH	FINISH	ART. NO.	SALES UNIT
2500 mm	Aluminium colour anodised E6/C0	BO 5403016	1x
5000 mm	Aluminium colour anodised E6/C0	BO 5403018	1x
2500 mm	Stainless steel look anodised E4/C31	BO 5403017	1x
5000 mm	Stainless steel look anodised E4/C31	BO 5403019	1x

## VetroMount® Cover Profile, lateral



- Simple slide-on installation
- The rubber sealing profile is simple to mount
- Powder-coating possible
- Material: aluminium



LENGTH	FINISH	ART. NO.	SALES UNIT
2500 mm	Aluminium colour anodised E6/C0	BO 5403012	1x
5000 mm	Aluminium colour anodised E6/C0	BO 5403014	1x
2500 mm	Stainless steel look anodised E4/C31	BO 5403013	1x
5000 mm	Stainless steel look anodised E4/C31	BO 5403015	1x

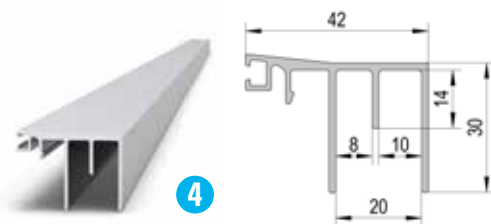
## VetroMount® Structural Connection Profile



- Opening width 3 mm (e. g. for steel sheet)
- Simple slide-on installation
- The rubber sealing profile is simple to mount
- Powder-coating possible
- Material: Aluminium



LENGTH	FINISH	ART. NO.	SALES UNIT
2500 mm	Aluminium colour anodised E6/C0	BO 5403036	1 x

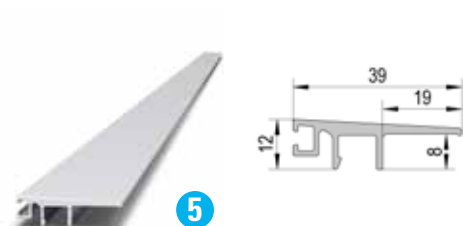


- Opening width 8, 10, 20 mm (e. g. for glass or wood plates)
- Simple slide-on installation
- The rubber sealing profile is simple to mount
- Powder-coating possible
- Material: aluminium



LENGTH	FINISH	ART. NO.	SALES UNIT
2500 mm	Aluminium colour anodised E6/C0	BO 5403037	1 x

## VetroMount® Floor Connection Profile



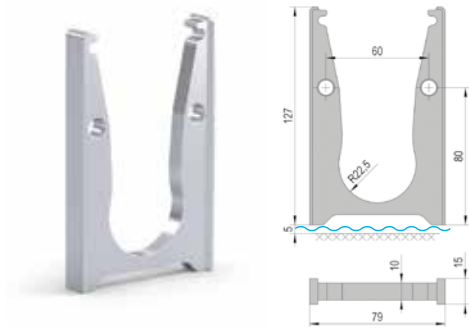
- For bridging the gap between basic profile and floor
- Simple slide-on installation
- The rubber sealing profile is simple to mount
- Powder-coating possible
- Material: aluminium



LENGTH	FINISH	ART. NO.	SALES UNIT
2500 mm	Aluminium colour anodised E6/C0	BO 5403038	1 x

For further information on structural and/or floor connection profiles, please see page 37.

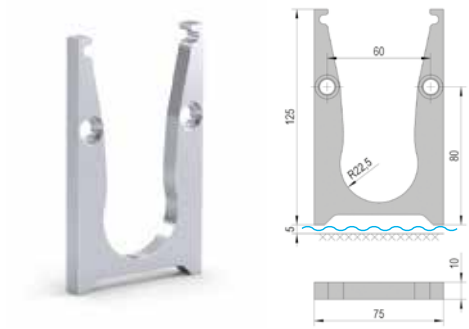
## VetroMount® Intermediate Connector for Drainage Purposes



- **Overlapping** - for use **without** cover profiles
- The number and the position of intermediate connectors must planned on site.
- For Floor Profile U for top mounting only
- Material: aluminium



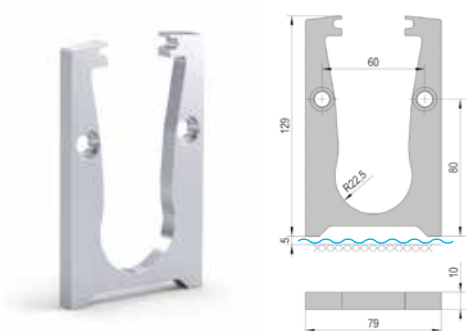
FINISH	ART. NO.	SALES UNIT
Aluminium colour anodised E6/C0	BO 5403020	1x



- **Overlapping** - for use **without** cover profiles
- The number and the position of intermediate connectors must planned on site.
- For Floor Profile U for top mounting only
- Material: aluminium



FINISH	ART. NO.	SALES UNIT
Aluminium colour anodised E6/C0	BO 5403021	1x



- **Overlapping** - for use **with** cover profiles
- The number and the position of intermediate connectors must planned on site.
- For Floor Profile U for top mounting only
- Material: aluminium



FINISH	ART. NO.	SALES UNIT
Aluminium colour anodised E6/C0	BO 5403022	1x
Stainless steel look anodised E4/C31	BO 5403023	1x

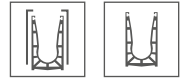
The use of intermediate connectors enables excess water to quickly run off. The intermediate connectors are simply placed in between the Floor Profiles U and thus allow for the water to run off. See also page 35.



## VetroMount® Connecting Pins for Basic Profile and Intermediate Connector for Drainage Purposes



- Complies with DIN 1481
- Diameter: 8 mm



LENGTH	ART. NO.	SALES UNIT
50 mm	BO 5403113	2x

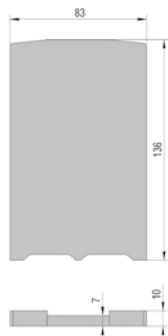
## VetroMount® End Caps for Floor Profile



- For use **without** cover profiles
- Mounting bolts included in set
- Simple attaching and removing of end caps
- Material: aluminium



FINISH	ART. NO.	SALES UNIT
Aluminium colour anodised E6/C0	BO 5403109	1x
Stainless steel look anodised E4/C31	BO 5403108	1x



- For use **with** cover profiles
- Mounting bolts included in set
- Simple attaching and removing of end caps
- Material: aluminium



FINISH	ART. NO.	SALES UNIT
Aluminium colour anodised E6/C0	BO 5403111	1x
Stainless steel look anodised E4/C31	BO 5403110	1x

The end caps are conveniently attached with the aid of pins supplied with the set and offer a firm hold. No screwing or bonding required for fastening the end cap. Thanks to the plug-in system, the end caps can be loosened as quickly as they can be fastened.





## Product Highlights

---

- Tested fastening mechanism on concrete and steel
- Tested for attics
- For a flush finish of the edge
- Screw usually required only every 400 mm
- Installation with and without cover profile
- Floor connection and building connection profiles available
- Glass heights up to 1300 mm
- Glass width from 300 mm possible
- Aluminium with protective anodised layer
- LED illumination can be integrated optionally

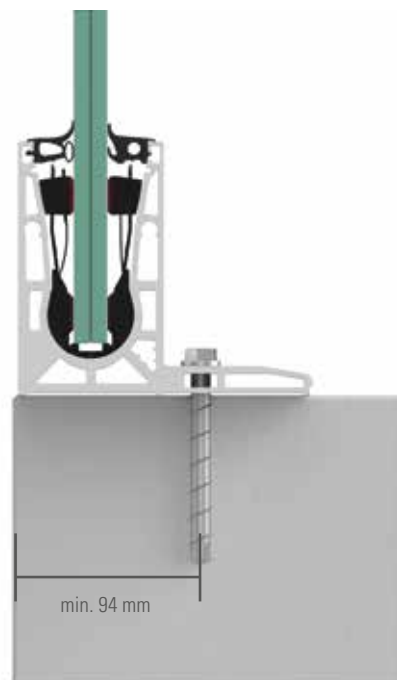


reddot winner 2020  
innovative product



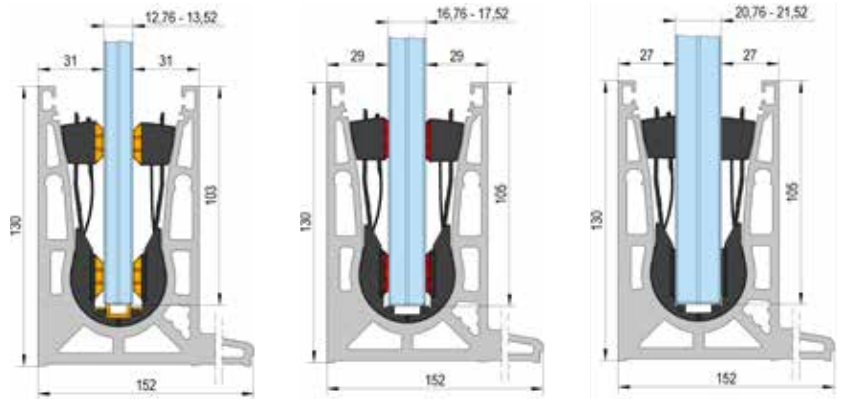
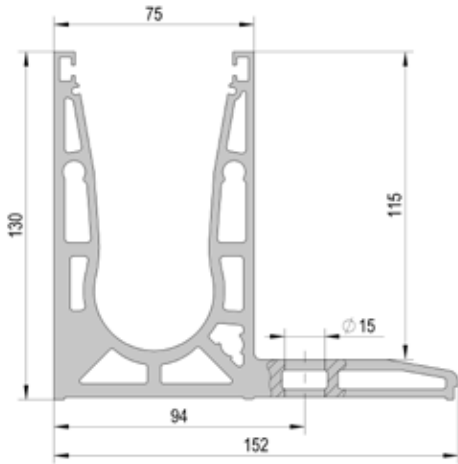
# FLOOR PROFILE F FOR TOP MOUNTING

The Floor Profile F for top mounting is ideally suited to creating a flush finish on the construction edge. For achieving a flush floor edge, we recommend applying a floor screed (see page 17).



For further explanations, see page 43.

# VetroMount® Floor Profile F



LENGTH	FINISH	DRILL HOLES	ART. NO.	SALES UNIT
2500 mm	Aluminium colour anodised E6/C0	13	BO 5403030	1 x
5000 mm	Aluminium colour anodised E6/C0	25	BO 5403031	1 x

## VetroMount® Mounting Set (glass bearings/rubber seals)



Glass bearings  
13 x (2500 mm)  
26 x (5000 mm)  
+  
2 x rubber seals



- For the version **without** cover profile
- Only 4 glass bearings per metre



PROFILE	12.76 mm	13.52 mm	16.76 mm	17.52 mm	20.76 mm	21.52 mm
L = 2500 mm	BO 5403084	BO 5403086	BO 5403090	BO 5403092	BO 5403096	BO 5403098
L = 5000 mm	BO 5403085	BO 5403087	BO 5403091	BO 5403093	BO 5403097	BO 5403099

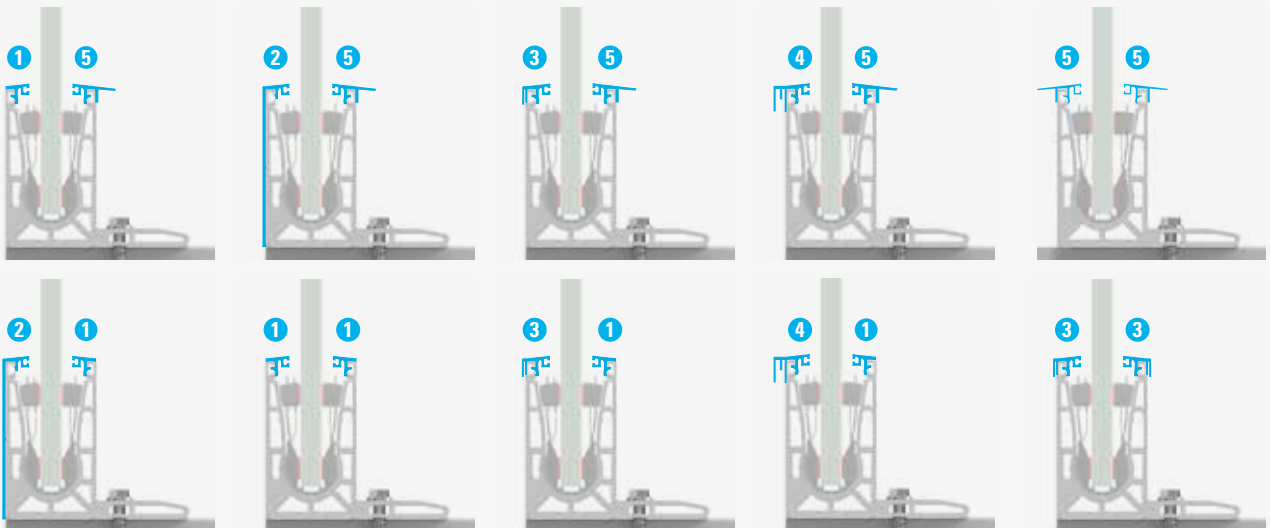
- For the version **with** cover profile
- Narrow rubber profile
- Only 4 glass bearings per metre



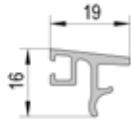
PROFILE	12.76 mm	13.52 mm	16.76 mm	17.52 mm	20.76 mm	21.52 mm
L = 2500 mm	BO 5403068	BO 5403070	BO 5403074	BO 5403076	BO 5403080	BO 5403082
L = 5000 mm	BO 5403069	BO 5403071	BO 5403075	BO 5403077	BO 5403081	BO 5403083



Possible combinations for cover profiles / structural connection profile / floor connection profile



## VetroMount® Cover Profile, top

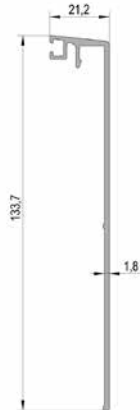


- Simple slide-on installation
- The rubber sealing profile is simple to mount
- Powder-coating possible
- Material: aluminium



LENGTH	FINISH	ART. NO.	SALES UNIT
2500 mm	Aluminium colour anodised E6/C0	BO 5403016	1x
5000 mm	Aluminium colour anodised E6/C0	BO 5403018	1x
2500 mm	Stainless steel look anodised E4/C31	BO 5403017	1x
5000 mm	Stainless steel look anodised E4/C31	BO 5403019	1x

## VetroMount® Cover Profile, lateral

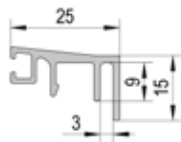


- Simple slide-on installation
- The rubber sealing profile is simple to mount
- Powder-coating possible
- Material: aluminium



LENGTH	FINISH	ART. NO.	SALES UNIT
2500 mm	Aluminium colour anodised E6/C0	BO 5403012	1x
5000 mm	Aluminium colour anodised E6/C0	BO 5403014	1x
2500 mm	Stainless steel look anodised E4/C31	BO 5403013	1x
5000 mm	Stainless steel look anodised E4/C31	BO 5403015	1x

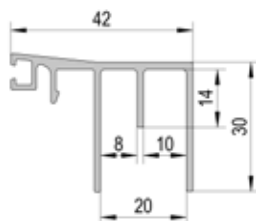
## VetroMount® Structural Connection Profile



- Opening width 3 mm (e. g. for steel sheet)
- Simple slide-on installation
- The rubber sealing profile is simple to mount
- Powder-coating possible
- Material: aluminium



LENGTH	FINISH	ART. NO.	SALES UNIT
2500 mm	Aluminium colour anodised E6/C0	BO 5403036	1 x



- Opening width 8, 10, 20 mm (e. g. for glass or wood plates)
- Simple slide-on installation
- The rubber sealing profile is simple to mount
- Powder-coating possible
- Material: aluminium



LENGTH	FINISH	ART. NO.	SALES UNIT
2500 mm	Aluminium colour anodised E6/C0	BO 5403037	1 x

## VetroMount® Floor Connection Profile



- For bridging the gap between basic profile and floor Simple
- Simple slide-on installation
- The rubber sealing profile is simple to mount
- Powder-coating possible
- Material: aluminium



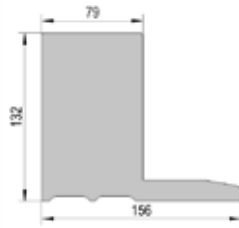
LENGTH	FINISH	ART. NO.	SALES UNIT
2500 mm	Aluminium colour anodised E6/C0	BO 5403038	1 x

For further information on structural and/or floor connection profiles, please see page 37.

## VetroMount® End Cap for Floor Profile F



Fig.: left end cap



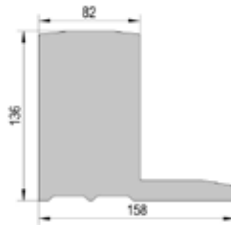
- For use **without** cover profiles
- Mounting bolts included in set
- Simple attaching and removing of end caps
- Material: aluminium



FINISH	SIDE	ART. NO.	SALES UNIT
Aluminium colour anodised E6/C0	Left	BO 5403039	1x
Aluminium colour anodised E6/C0	Right	BO 5403040	1x



Fig.: left end cap



- For use **with** cover profiles
- Mounting bolts included in set
- Simple attaching and removing of end caps
- Material: aluminium



FINISH	SIDE	ART. NO.	SALES UNIT
Aluminium colour anodised E6/C0	Left	BO 5403041	1x
Aluminium colour anodised E6/C0	Right	BO 5403042	1x
Stainless steel look anodised E4/C31	Left	BO 5403043	1x
Stainless steel look anodised E4/C31	Right	BO 5403044	1x

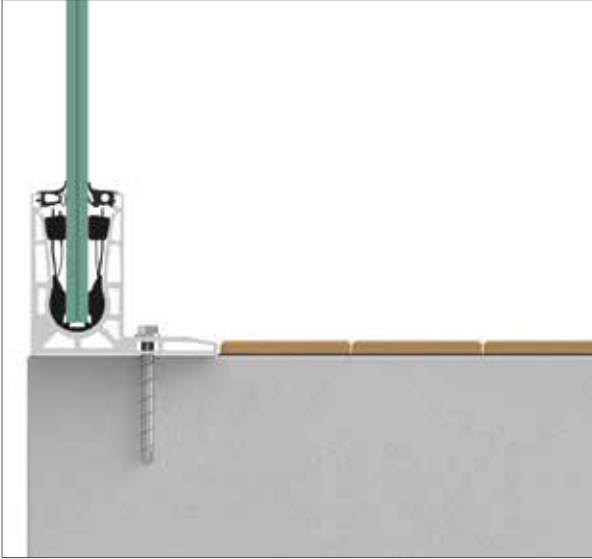
The end caps are conveniently attached with the aid of pins supplied with the set and offer a firm hold. No screwing or bonding required for fastening the end cap. Thanks to the plug-in system, the end caps can be loosened as quickly as they can be fastened.



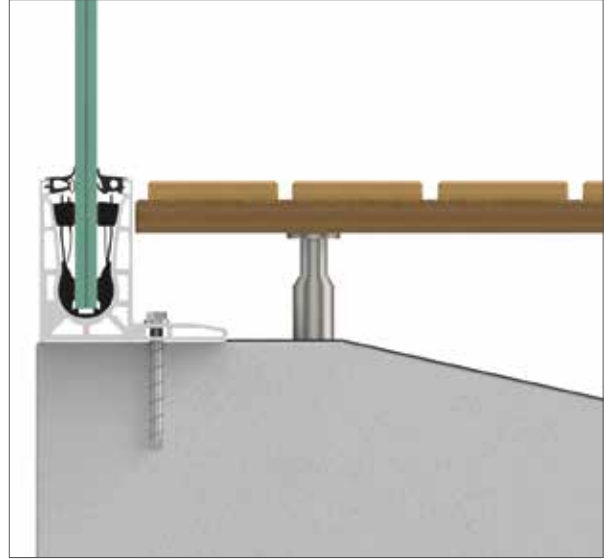


# MORE FLEXIBILITY WITH THE FLOOR PROFILE F

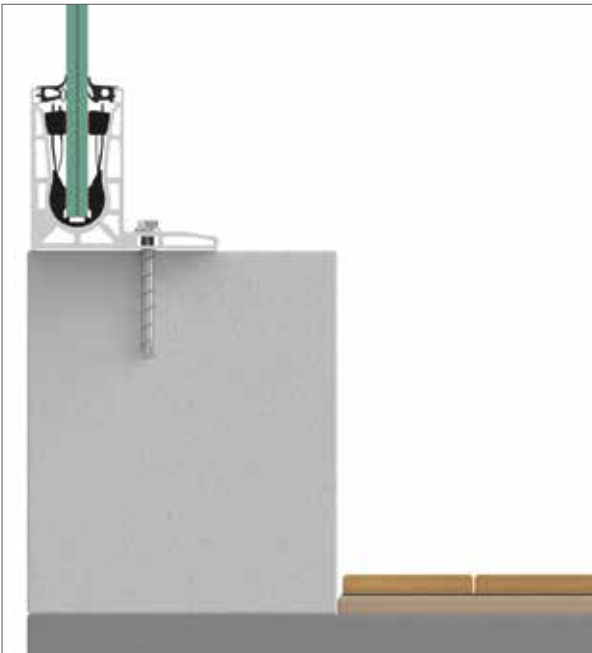
The Floor Profile F offers versatile installation options. The General Building Inspection Test Certificate for VetroMount® confirms its one hundred percent safety. We are happy to assist you with customised solutions. Please get in touch with us!



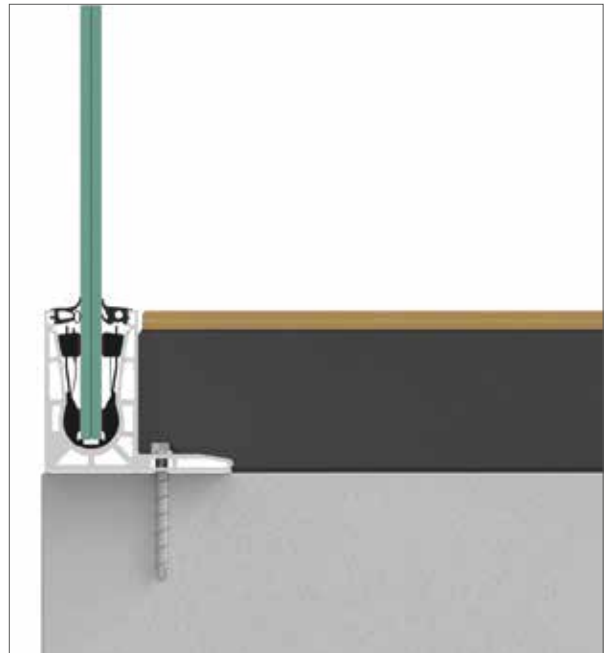
The Floor Profile F has a flush finish both to the construction edge and the floor on the right side.



Using the profile on a gradient. The floor is raised at the height of the profile.



The profile is installed onto masonry and provides a classy attic solution.



The cast screed floor enables a flush finish of the top profile with the floor.



## Product Highlights

- Tested fastening mechanism on concrete and steel
- Tested for attics
- Tested for enamelled glass
- Installation with and without cover profile
- Floor connection and building connection profiles available
- Screw required every 200 mm
- Glass heights up to 1300 mm
- Glass width from 300 mm possible
- Aluminium with protective anodised layer
- LED illumination can be integrated optionally

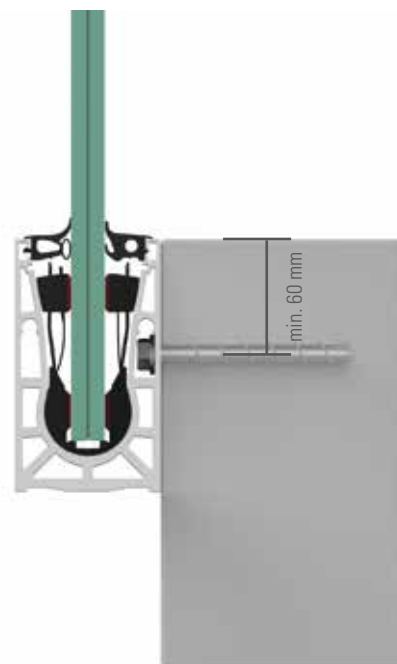


reddot winner 2020  
innovative product



# SIDE PROFILE U FOR PROJECTING INSTALLATION

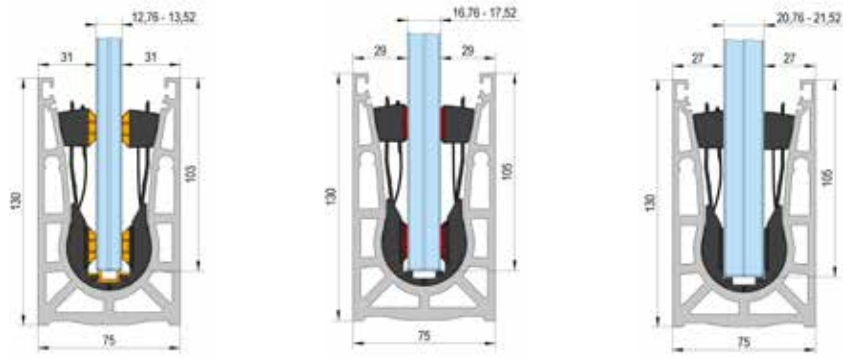
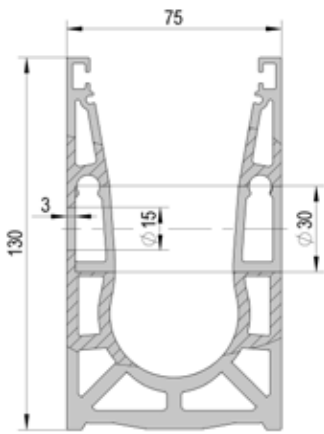
The Side Profile U is particularly suitable for staircases. It has pre-drilled holes on the side, every 200 mm, saving valuable installation time. The drill holes can be concealed with the aid of a cover profile. For required components and information on staircase mounting, see pages 22+.



<b>AbP</b> geprüftes System	<b>AVIS</b> Technique 2.1/19-1802	<b>BS 6180</b> proofed system	<b>CTE</b> Código Técnico de la Edificación	Statisch berechnet gemäss <b>DIN18008</b>
			<b>NTC</b> <b>UNI</b> 11678-2017	<b>NEN-EN</b> 1991-1-1
			<b>ÖNORM</b> <b>B</b> 3716-3	<b>SANS</b> 10160-2 + 10137
				<b>SIA</b> 261 : 2014

For further explanations, see page 43.

## VetroMount® Side Profile U



LENGTH	FINISH	DRILL HOLES	ART. NO.	SALES UNIT
2500 mm	Aluminium colour anodised E6/C0	13	BO 5403009	1 x
5000 mm	Aluminium colour anodised E6/C0	25	BO 5403011	1 x

## VetroMount® Mounting Set (glass bearings/rubber seals)



Glass bearings  
13 x (2500 mm)  
26 x (5000 mm)  
+  
2 x rubber seals



- For the version **without** cover profile
- Only 4 glass bearings per metre



PROFILE	12.76 mm	13.52 mm	16.76 mm	17.52 mm	20.76 mm	21.52 mm
L = 2500 mm	BO 5403084	BO 5403086	BO 5403090	BO 5403092	BO 5403096	BO 5403098
L = 5000 mm	BO 5403085	BO 5403087	BO 5403091	BO 5403093	BO 5403097	BO 5403099

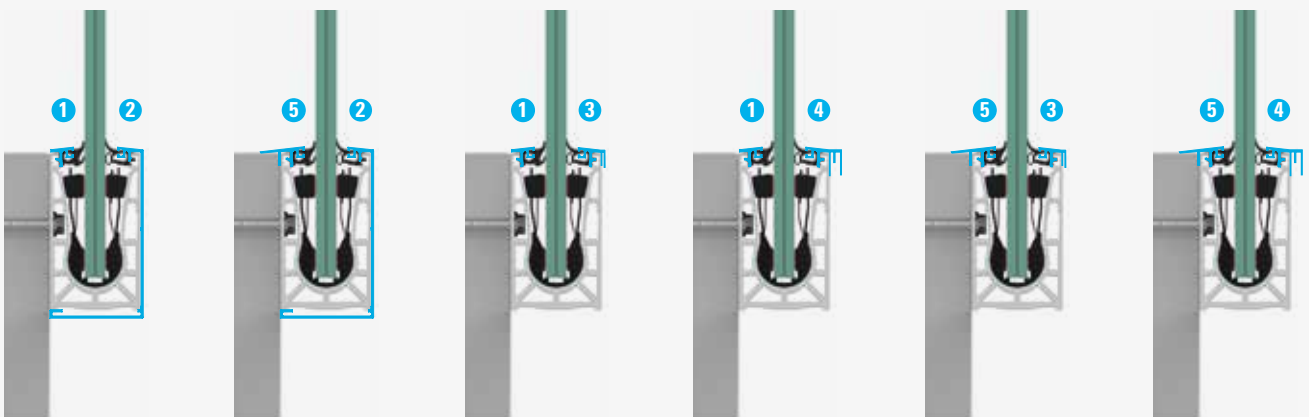
- For the version **with** cover profile
- Narrow rubber profile
- 4 glass bearings per metre



PROFILE	12.76 mm	13.52 mm	16.76 mm	17.52 mm	20.76 mm	21.52 mm
L = 2500 mm	BO 5403068	BO 5403070	BO 5403074	BO 5403076	BO 5403080	BO 5403082
L = 5000 mm	BO 5403069	BO 5403071	BO 5403075	BO 5403077	BO 5403081	BO 5403083

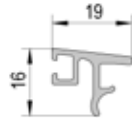


Possible combinations for cover profiles / structural connection profile / floor connection profile



## VetroMount® Cover Profile, top

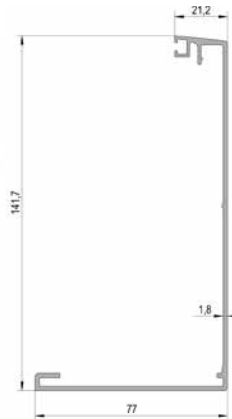
- Simple slide-on installation
- Rubber sealing profile is simple to mount
- Powder-coating possible
- Material: aluminium



LENGTH	FINISH	ART. NO.	SALES UNIT
2500 mm	Aluminium colour anodised E6/C0	BO 5403016	1x
5000 mm	Aluminium colour anodised E6/C0	BO 5403018	1x
2500 mm	Stainless steel look anodised E4/C31	BO 5403017	1x
5000 mm	Stainless steel look anodised E4/C31	BO 5403019	1x

## VetroMount® Cover Profile, side

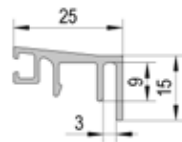
- Simple slide-on installation
- Rubber sealing profile is simple to mount
- Powder-coating possible
- Material: aluminium



LENGTH	FINISH	ART. NO.	SALES UNIT
2500 mm	Aluminium colour anodised E6/C0	BO 5403004	1x
5000 mm	Aluminium colour anodised E6/C0	BO 5403006	1x
2500 mm	Stainless steel look anodised E4/C31	BO 5403005	1x
5000 mm	Stainless steel look anodised E4/C31	BO 5403007	1x

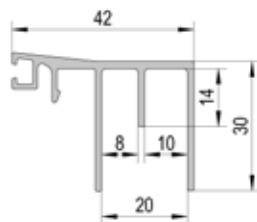
## VetroMount® Building Connection Profile

- Opening width 3 mm (e. g. for steel sheet)
- Simple slide-on installation
- Rubber sealing profile is simple to mount
- Powder-coating possible
- Material: aluminium



LENGTH	FINISH	ART. NO.	SALES UNIT
2500 mm	Aluminium colour anodised E6/C0	BO 5403036	1 x

- Opening width 8, 10, 20 mm (e. g. for glass or wood plates)
- Simple slide-on installation
- Rubber sealing profile is simple to mount
- Powder-coating possible
- Material: aluminium



LENGTH	FINISH	ART. NO.	SALES UNIT
2500 mm	Aluminium colour anodised E6/C0	BO 5403037	1 x

## VetroMount® Floor Connection Profile

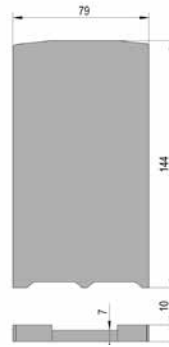
- For bridging the gap between basic profile and floor Simple
- Simple slide-on installation
- Rubber sealing profile is simple to mount
- Powder-coating possible
- Material: aluminium



LENGTH	FINISH	ART. NO.	SALES UNIT
2500 mm	Aluminium colour anodised E6/C0	BO 5403038	1 x

For further information on structural and/or floor connection profiles, please see page 37.

## VetroMount® End Cap for Side Profile U with Cover Profile

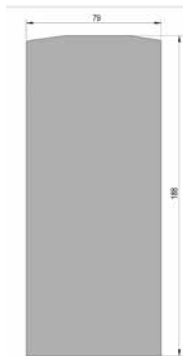


- For use **with** cover profiles
- Mounting bolts included in set
- Simple attaching and removing of end caps
- Material: aluminium

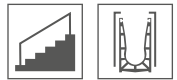


FINISH	SIDE	ART. NO.	SALES UNIT
Aluminium colour anodised E6/C0	Left	BO 5403101	1x
Aluminium colour anodised E6/C0	Right	BO 5403103	1x
Stainless steel look anodised E4/C31	Left	BO 5403100	1x
Stainless steel look anodised E4/C31	Right	BO 5403102	1x

## VetroMount® End Cap Staircase for Side Profile U

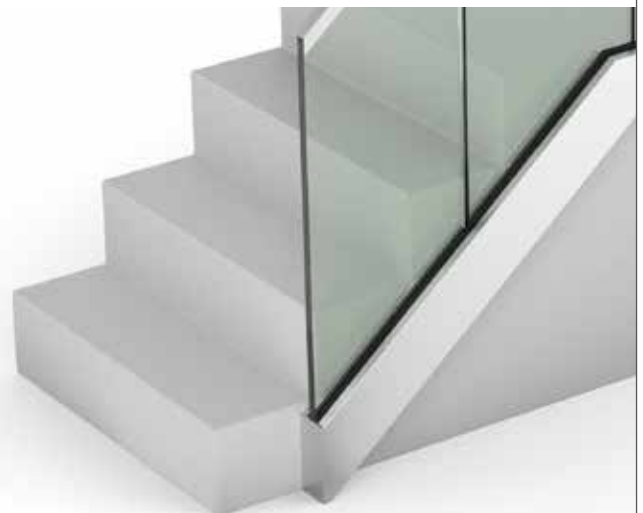


- For use **with** cover profiles
- Can be trimmed individually
- Material: aluminium

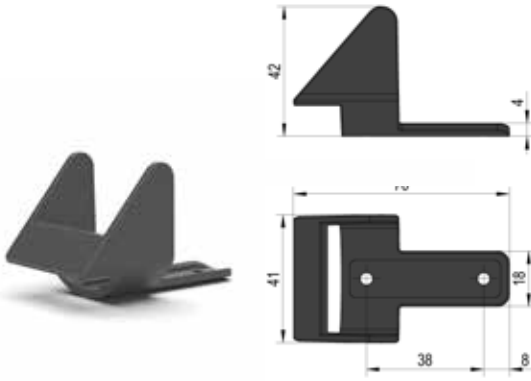


FINISH	SIDE	ART. NO.	SALES UNIT
Aluminium colour anodised E6/C0	Left	BO 5403105	1x
Aluminium colour anodised E6/C0	Right	BO 5403107	1x
Stainless steel look anodised E4/C31	Left	BO 5403104	1x
Stainless steel look anodised E4/C31	Right	BO 5403106	1x

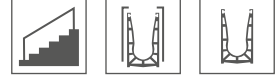
The end caps for staircases are 188 mm high and can be trimmed to size depending on the angle of inclination of the staircase. The end cap must be bonded.



## VetroMount® Stoppers for Staircase



- Positioning aid for angled mounting, e. g. for staircases
- Fixing screws included in delivery
- Material: Plastic



ART. NO.

SALES UNIT

BO 5403114

1 x

For safe mounting: The use of stoppers is recommended for staircases and similar applications to provide additional hold to glass panes and prevent them from slipping.





## Product Highlights

---

- Tested fastening mechanism on concrete and steel
- Tested for attics
- Screw required every 200 mm
- Installation with and without cover profile
- Floor connection and building connection profiles available
- Glass heights up to 1300 mm
- Glass width from 300 mm possible
- Aluminium with protective anodised layer
- LED illumination can be integrated optionally



reddot winner 2020  
innovative product





# SIDE PROFILE Y FOR PROJECTING INSTALLATION

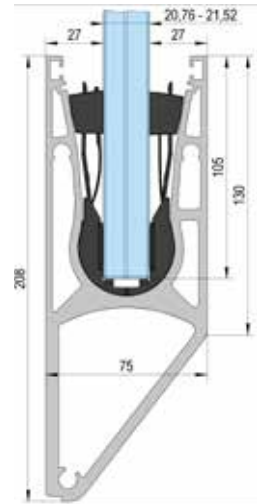
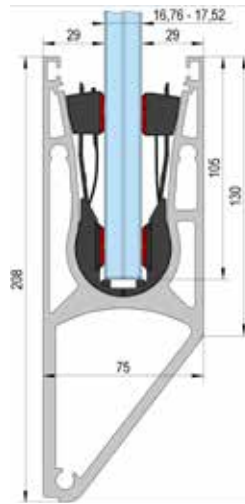
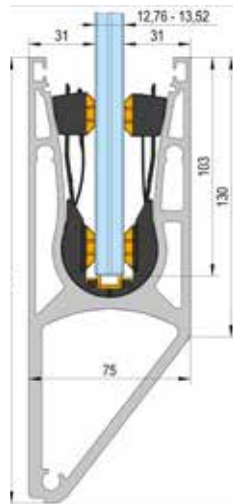
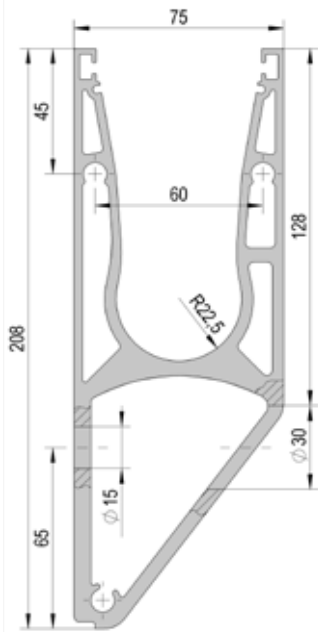
The Side Profile Y for projecting installation is ideally suited for creating a flush finish on the construction edge. The low screw-on point of the profile greatly reduces the workload, especially when carrying out installations in old buildings.



<b>AbP</b> geprüftes System	<b>BS 6180</b> proofed system	<b>CTE</b> Código Técnico de la Edificación <b>DIN18008</b>	Statisch berechnet gemäß <b>NTC UNI</b> 11678-2017	<b>NEN- EN</b> 1991-1-1
			<b>ÖNORM B</b> 3716-3	<b>SANS</b> 10160-2 + 10137

For further explanations, see page 43.

## VetroMount® Side Profile Y



LENGTH	FINISH	DRILL HOLES	ART. NO.	SALES UNIT
2500 mm	Aluminium colour anodised E6/C0	13	BO 5403120	1 x
5000 mm	Aluminium colour anodised E6/C0	25	BO 5403121	1 x

## VetroMount® Mounting Set (glass bearings/rubber seals)



Glass bearings  
13 x (2500 mm)  
26 x (5000 mm)  
+  
2 x rubber seals

- For the version **without** cover profile
- Only 4 glass bearings per metre



PROFILE	12.76 mm	13.52 mm	16.76 mm	17.52 mm	20.76 mm	21.52 mm
L = 2500 mm	BO 5403084	BO 5403086	BO 5403090	BO 5403092	BO 5403096	BO 5403098
L = 5000 mm	BO 5403085	BO 5403087	BO 5403091	BO 5403093	BO 5403097	BO 5403099

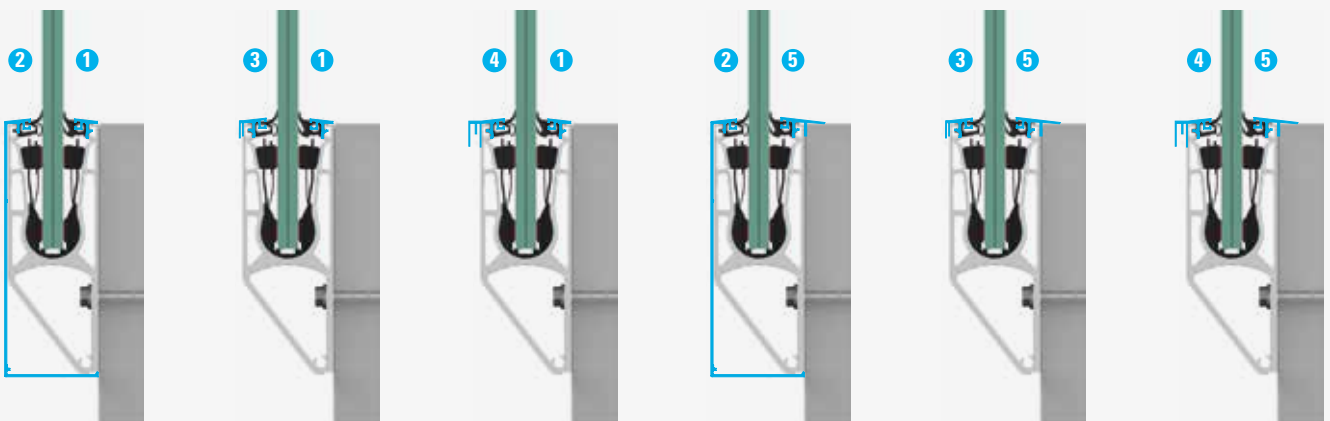
- For the version **with** cover profile
- Narrow rubber profile
- Only 4 glass bearings per metre



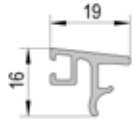
PROFILE	12.76 mm	13.52 mm	16.76 mm	17.52 mm	20.76 mm	21.52 mm
L = 2500 mm	BO 5403068	BO 5403070	BO 5403074	BO 5403076	BO 5403080	BO 5403082
L = 5000 mm	BO 5403069	BO 5403071	BO 5403075	BO 5403077	BO 5403081	BO 5403083



Possible combinations for cover profiles / structural connection profile / floor connection profile



## VetroMount® Cover Profile, top



- Simple slide-on installation
- The rubber sealing profile is simple to mount
- Powder-coating possible
- Material: aluminium



LENGTH	FINISH	ART. NO.	SALES UNIT
2500 mm	Aluminium colour anodised E6/C0	BO 5403016	1x
5000 mm	Aluminium colour anodised E6/C0	BO 5403018	1x
2500 mm	Stainless steel look anodised E4/C31	BO 5403017	1x
5000 mm	Stainless steel look anodised E4/C31	BO 5403019	1x

## VetroMount® Cover Profile, lateral

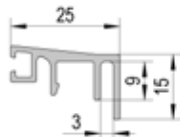


- Simple slide-on installation
- The rubber sealing profile is simple to mount
- Powder-coating possible
- Material: aluminium



LENGTH	FINISH	ART. NO.	SALES UNIT
2500 mm	Aluminium colour anodised E6/C0	BO 5403122	1x
5000 mm	Aluminium colour anodised E6/C0	BO 5403123	1x
2500 mm	Stainless steel look anodised E4/C31	BO 5403124	1x
5000 mm	Stainless steel look anodised E4/C31	BO 5403125	1x

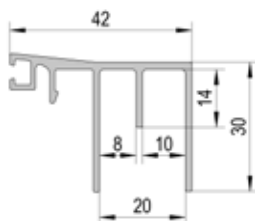
## VetroMount® Structural Connection Profiles



- Opening width 3 mm (e. g. for steel sheet)
- Simple slide-on installation
- The rubber sealing profile is simple to mount
- Powder-coating possible
- Material: aluminium



LENGTH	FINISH	ART. NO.	SALES UNIT
2500 mm	Aluminium colour anodised E6/C0	BO 5403036	1 x



- Opening width 8, 10, 20 mm (e. g. for glass or wood plates)
- Simple slide-on installation
- The rubber sealing profile is simple to mount
- Powder-coating possible
- Material: aluminium



LENGTH	FINISH	ART. NO.	SALES UNIT
2500 mm	Aluminium colour anodised E6/C0	BO 5403037	1 x

## VetroMount® Floor Connection Profile



- For bridging the gap between basic profile and floor
- Simple slide-on installation
- The rubber sealing profile is simple to mount
- Powder-coating possible
- Material: aluminium



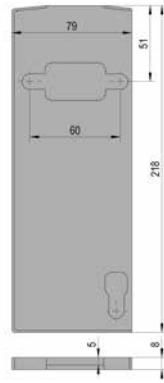
LENGTH	FINISH	ART. NO.	SALES UNIT
2500 mm	Aluminium colour anodised E6/C0	BO 5403038	1 x

For further information on structural and/or floor connection profiles, please see page 37.

## VetroMount® End Cap for Side Profiles with Cover Profile



Fig.: right end cap



- For use **with** cover profiles
- Mounting bolts included in set
- Simple attaching and removing of end caps
- Material: aluminium



FINISH	SIDE	ART. NO.	SALES UNIT
Aluminium colour anodised E6/C0	Left	BO 5403126	1x
Aluminium colour anodised E6/C0	Right	BO 5403128	1x
Stainless steel look anodised E4/C31	Left	BO 5403127	1x
Stainless steel look anodised E4/C31	Right	BO 5403129	1x

The end caps are conveniently attached with the aid of pins supplied with the set and offer a firm hold. No screwing or bonding required for fastening the end cap. Thanks to the plug-in system, the end caps can be loosened as quickly as they can be fastened.



# Handrails

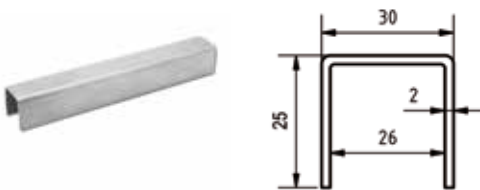
Handrails enhance the safety of glass balustrades. People can comfortably hold on to them, while at the same time they also offer additional stability to glass panes. The stainless steel handrail selection includes both round and square models. The desired handrail can be optimally adapted to the glass balustrade with the aid of suitable corner clamps, intermediate connectors

and end caps. As an alternative, a glass edge protecting profile can be used as upper finish of a fall protection.

Please observe the applicable national provisions and buildings regulations for the use of handrails.

## Square Handrails for Glass Thicknesses between 12.76 - 21.52 mm

### Handrail



- Please use rubber profiles BO 5215254 - BO 5215256
- Tested as per DIN 18008 part 4

LENGTH	FINISH	ART. NO.	SALES UNIT
4000 mm	Stainless steel V2A	BO 5215253	1 x

### Corner Clamp 90°



- For handrail BO 5215253
- Please use rubber profiles BO 5215254 - BO 5215256

DIMENSIONS	FINISH	ART. NR.	SALES UNIT
W: 30 x H: 25 mm	Stainless steel V2A	BO 5215289	1 x

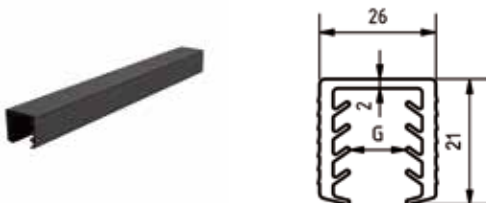
### End Cap



- For handrail BO 5215253
- Please use rubber profiles BO 5215254 - BO 5215256

DIMENSIONS	FINISH	ART. NO.	SALES UNIT
W: 30 x H: 25 mm	Stainless steel V2A	BO 5215288	1 x

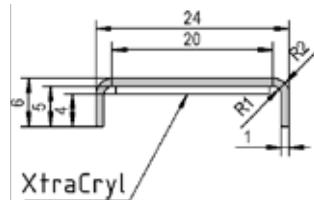
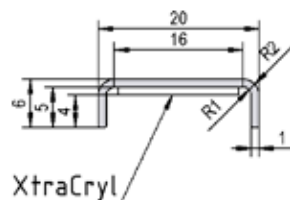
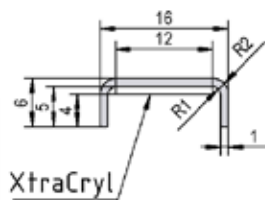
### Rubber Profile



- For handrail BO 5215253

LENGTH	12.76 - 13.52 mm	16.76 - 17.52 mm	20.76 - 21.52 mm	SALES UNIT
4000 mm	BO 5215254	BO 5415255	BO 5415256	1 x

## Glass Edge Protecting Profile

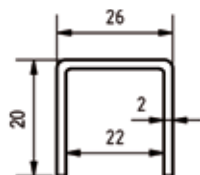


- Finish stainless steel V4A
- Self-adhesive with XtraCryl

LENGTH	12.76 - 13.52 mm	16.76 - 17.52 mm	20.76 - 21.52 mm	SALES UNIT
4000 mm	BO 5403001	BO 5403002	BO 5403003	1 x

## Square Handrails for Glass Thicknesses between 12.76 - 17.52 mm

### Handrail



- Please use rubber profiles BO 5215250 - BO 5215252
- Tested as per DIN 18008 part 4

LENGTH	FINISH	ART. NO.	SALES UNIT
4000 mm	Stainless steel V2A	BO 5215293	1 x

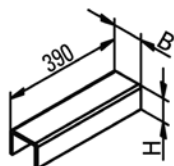
### Corner Clamp 90°



- For handrail BO 5215253
- Please use rubber profiles BO 5215250 - BO 5215252

DIMENSIONS	FINISH	ART. NO.	SALES UNIT
W: 26 x H: 20 mm	Stainless steel V2A	BO 5215295	1 x

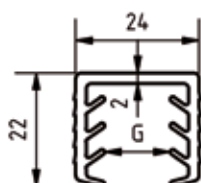
### End Cap



- For handrail BO 5215253
- Please use rubber profiles BO 5215250 - BO 5215252

DIMENSIONS	FINISH	ART. NO.	SALES UNIT
W: 30 x H: 20 mm	Stainless steel V2A	BO 5215294	1 x

### Rubber Profile



- For handrail BO 5215293

LENGTH	12.76 - 13.52 mm	16.76 - 17.52 mm	SALES UNIT
4000 mm	BO 5215272	BO 5215273	1 x

## Round Handrails for Glass Thicknesses between 12.76 - 21.52 mm

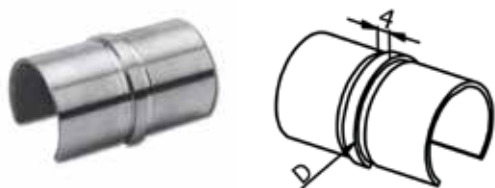
### Handrail



- For this purpose, please use BO 5215250 - BO 5215252

LENGTH	FINISH	ART. NO.	SALES UNIT
6000 mm	Stainless steel V2A	BO 5215248	1 x
6000 mm	Stainless steel V2A	BO 5215249	1 x

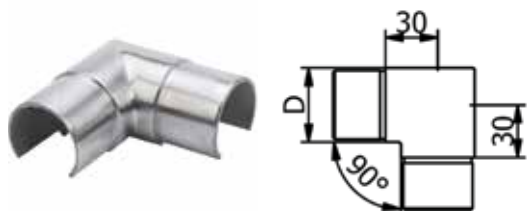
### Tube Connector, straight



- For handrails BO 5215248, BO 5215249
- Can be bonded with metal adhesive

DIAMETER	FINISH	ART. NO.	SALES UNIT
D = $\varnothing$ 42.4 mm	Stainless steel V2A	BO 5215261	1 x
D = $\varnothing$ 42.4 mm	Stainless steel V2A	BO 5215262	1 x

### Tube Connector, 90° corner



- For handrails BO 5215248, BO 5215249
- Can be bonded with metal adhesive

DIAMETER	FINISH	ART. NO.	SALES UNIT
D = $\varnothing$ 42.4 mm	Stainless steel V2A	BO 5215265	1 x
D = $\varnothing$ 42.4 mm	Stainless steel V2A	BO 5215266	1 x

### End Cap, flat



- For handrails BO 5215248, BO 5215249
- Can be bonded with metal adhesive

DIAMETER	FINISH	ART. NO.	SALES UNIT
D = $\varnothing$ 42.4 mm	Stainless steel V2A	BO 5215263	1 x
D = $\varnothing$ 42.4 mm	Stainless steel V2A	BO 5215264	1 x

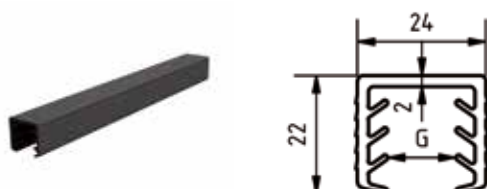
### Wall Connector



- For handrails BO 5215248, BO 5215249
- Facilitates load distribution of glass balustrades
- Optional, not required as per General Building Inspection Test Certificate (AbP)

DIAMETER	FINISH	ART. NO.	SALES UNIT
d = 90 mm / $\varnothing$ 42.4 mm	Stainless steel V2A	BO 5215278	1 x
d = 90 mm / $\varnothing$ 42.4 mm	Stainless steel V2A	BO 5215279	1 x

### Rubber Profile



- For handrails BO 5215248, BO 5215249

LENGTH	12.76 - 13.52 mm	16.76 - 17.52 mm	20.76 - 21.52 mm	SALES UNIT
6000 mm	BO 5215250	BO 5215251	BO 5215252	1 x

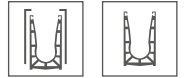
# ACCESSORIES

## VetroMount® Mounting Aid

The mounting aid facilitates fixing the glass bearings. By tapping with a hammer on the marked spot, the lower clamping wedge is pressed to the right and subsequently safely fixes the glass pane in place. The mounting aid is also used for disassembly.



- For fixing and releasing the lower clamping wedges
- For all profiles

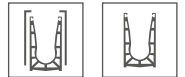


MATERIAL	ART. NO.	SALES UNIT
Steel	BO 5403116	1 x

## VetroMount® Rubber Spacers for Glass Panels



- Good ageing, weathering and ozone resistance
- One side self-adhesive
- For all profiles

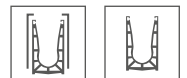


WIDTH	12.76 - 13.52 mm	16.76 - 17.52 mm	20.76 - 21.52 mm	LENGTH
5 mm	BO 5403024	BO 5403026	BO 5403028	1000 mm
10 mm	BO 5403025	BO 5403027	BO 5403029	1000 mm

## VetroMount® Connecting Pins for Basic Profile



- Complies with DIN 1481
- Diameter 8 mm
- For all profiles

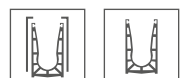


LENGTH	ART. NO.	SALES UNIT
50 mm	BO 5403113	2 x

## Concrete Screws



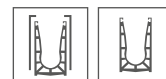
- Drill diameter 10 mm
- Hexagon head (size15)
- For fastening in concrete
- ETA approval
- For all profiles



TYPE	ART. NO.	SALES UNIT
Hilti HUS3-H (V4A)	BO 5211161	25 x
Hilti HUS-HR (zinc-plated steel)	BO 5211160	50 x



## VetroMount® Glass Bearings



- Sales unit: 13 glass bearings for 2500 mm profiles

12.76 mm	13.52 mm	16.76 mm	17.52 mm	20.76 mm	21.52 mm
BO 5403060	BO 5403061	BO 5403063	BO 5403064	BO 5403066	BO 5403067

## VetroMount® Rubber Seals



- For the version **with** cover profile
- Narrow rubber profile



LENGTH	12.76 mm - 13.52 mm	16.76 mm - 17.52 mm	20.76 mm - 21.52 mm
2500 mm	BO 5403150	BO 5403152	BO 5403154
5000 mm	BO 5403051	BO 5403153	BO 5403155



- For the version **without** cover profile
- Wide rubber profile



LENGTH	12.76 mm - 13.52 mm	16.76 mm - 17.52 mm	20.76 mm - 21.52 mm
2500 mm	BO 5403050	BO 5403052	BO 5403054
5000 mm	BO 5403051	BO 5403053	BO 5403055



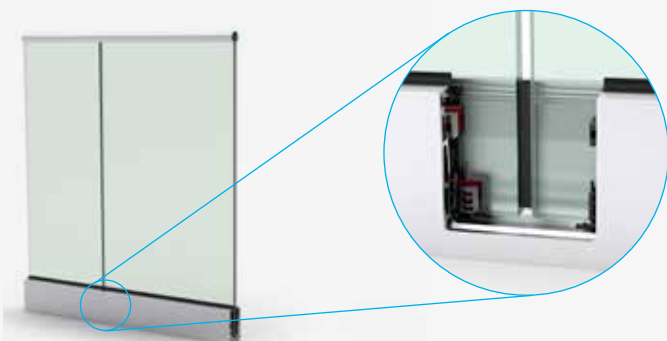
## VETROMOUNT® ACCESSORIES

Which accessories are available for closing the mounting holes in the side mount profiles?

We recommend cladding with a cover profile to achieve a more high-quality visual appearance. Blanking plugs do not form part of the product range.

Are there spacers between the individual glass panes?

Yes. Our rubber spacers are available 1 m long and 5 or 10 mm thick matching the different glass thicknesses. These can be cut into shorter pieces (approx. 3 cm), as needed. They are adhesive on one side and are positioned between the glass panes and flush to the upper sealing profile edge. In this way, they serve as spacers and sealing profile between the glass panes at the same time.



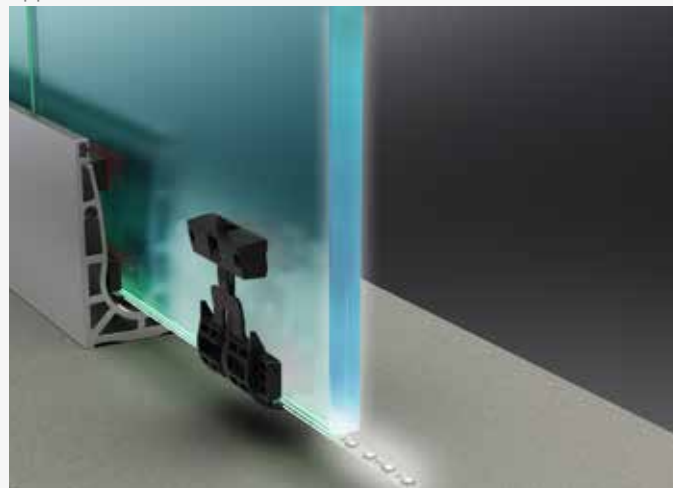
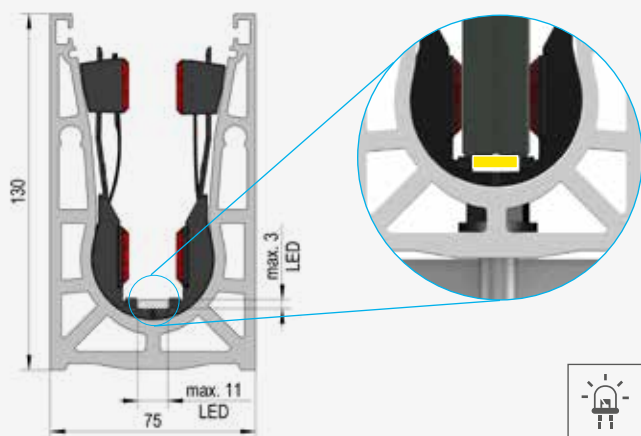
Rubber spacers (see also page 32)



## LED-ILLUMINATION

Can the LEDs be integrated into the profile?

Yes, they can be inserted into the corresponding groove in the glass bearing. For glass thicknesses between 16.76 and 21.76 mm, the suitable LED strips must have maximum dimensions of 3 x 11 mm (H x W) and 3 x 8 mm for glass thicknesses between 12.76 and 13.25 mm. The strips must be suitable for exterior application.



## Handling

Veribor® Pump-activated Suction Lifter made of plastic in Carrying Case



- High carrying capacity (120 kg)
- GS certified by TÜV (German Technical Inspection Agency)
- Optimised vacuum indicator
- Made in Germany

MATERIAL	ART. NO.	SALES UNIT
Plastic	BO 601G	1 x

VetroLevel® Fixing Aid with integrated Spirit Level

VetroLevel enables the quick horizontal positioning of glass panes. Fasten the clever device in a way that you can keep an eye on it during installation. Now you have both hands free to comfortably align the glass pane. Ideally suited for mounting all-glass showers or partition walls.



- Facilitates the alignment of glass panes
- Proven Veribor® Vacuum Technology

MATERIAL	ART. NO.	SALES UNIT
Plastic	BO 5140450	1 x

## Liftmaster B1 Lifting Device

Let others do the work for you. The Liftmaster B1 is an innovative handling and mounting aid which can easily and safely move elements of up to 180 kg, such as glass panes, window elements and metal or stone sheets – by only one person. Your next glass balustrade can therefore be mounted in no time and in a back-friendly way.

- Power/energy independent dual circuit vacuum system as per DIN EN 13155
- Ideal for transport both within company premises and for use on construction sites
- Easy and secure handling of structural components of up to 180 kg
- Can be disassembled easily, fits in almost any estate car

ART. NO.	SALES UNIT
BO 88.01	1 x



See Liftmaster B1 in action now!



## Veribor® Trolley with Suction Lifter

The portable and highly manoeuvrable mounting aid for interior and exterior applications greatly facilitates handling gastight materials such as, for example, glass panes or flagstones, and is a true all-rounder. Thanks to the integrated Veribor® suction lifter, the load is safely attached even on rough terrain. The Trolley comes with two tension belts for increased transport safety which are even suitable for fixing gas permeable materials. In addition, a notch in the plate enables transporting windows.

- Carrying capacity of up to 300 kg
- Minimum thickness of transported goods 3 mm
- Maximum height of transported goods 2000 mm
- Maximum length of transported goods 3000 mm

ART. NO.	SALES UNIT
BO 680.0	1 x

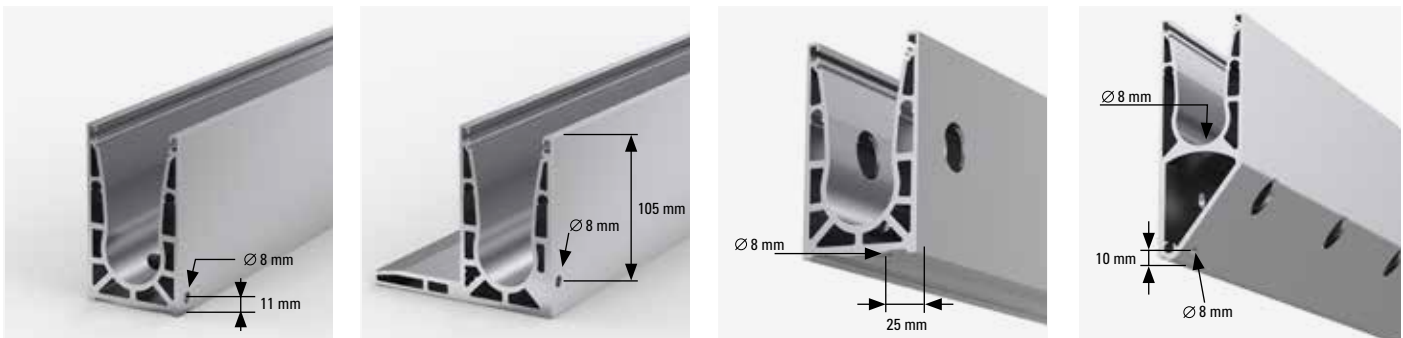


# DRAINAGE

In exterior fit-out applications, rain or snowfall can lead to water accumulation on balconies or terraces. This can be avoided by integrating intermediate connectors for drainage purposes. A groove at the bottom enables draining the water in a quick and targeted manner and thus prevents waterlogging. The tested safety of the system is maintained. The intermediate connectors (BO 5403020 - 23) for drainage purposes are suitable for the Floor Profile U for top mounting – they can be inserted in between two profiles with the aid of connecting pins (BO 5403113).

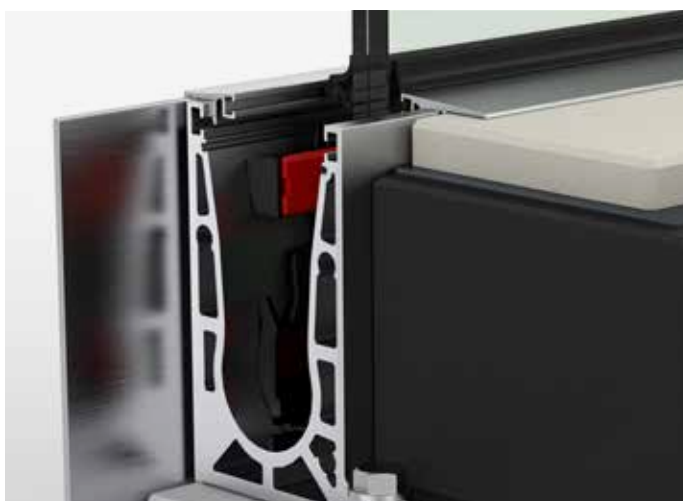
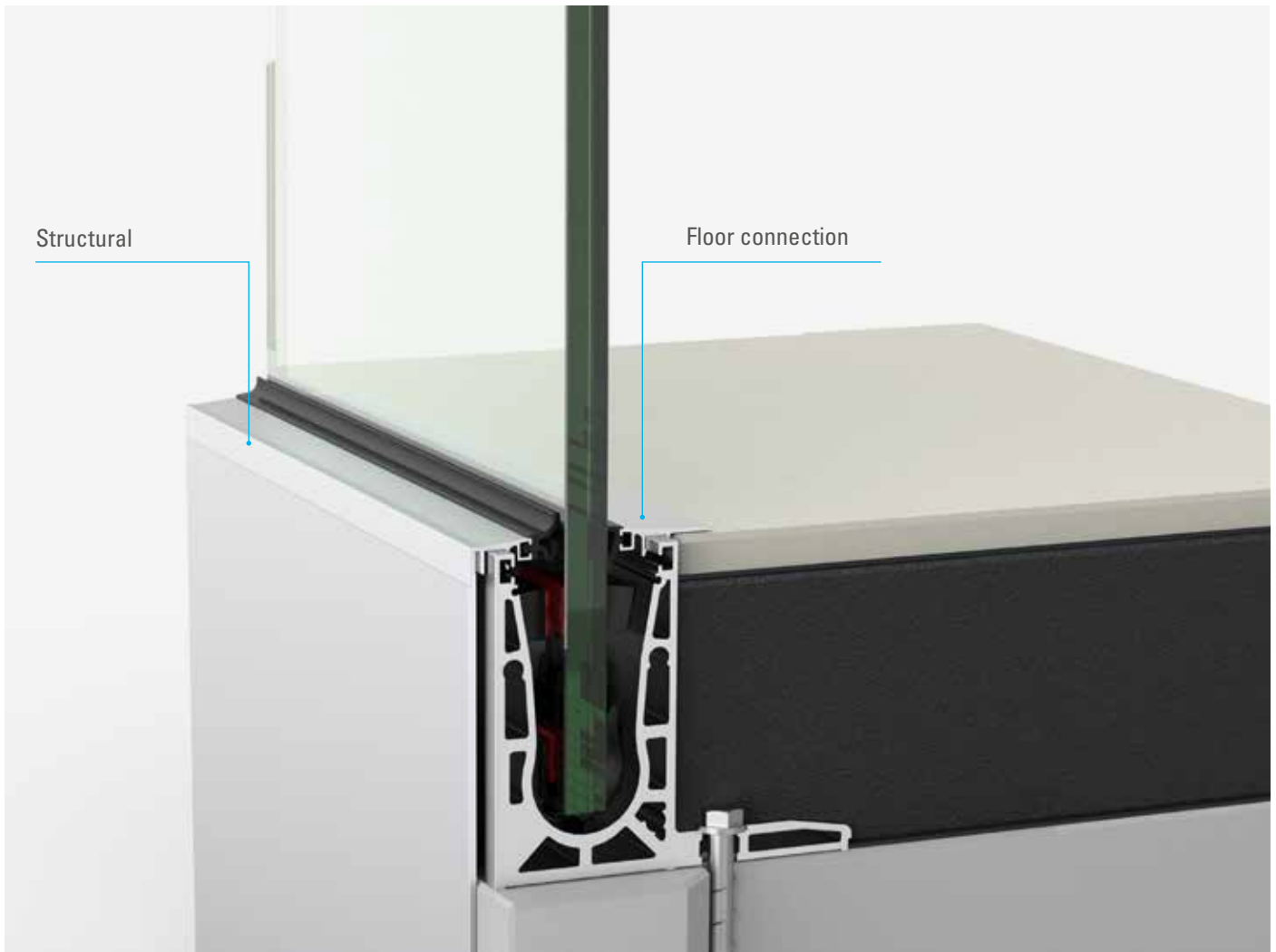


Drainage holes with a diameter of 8 mm for guiding the water out of the profile must be drilled on site.



# STRUCTURAL CONNECTION AND FLOOR CONNECTION PROFILES

As one installation is not like another, an individual solution is what counts. While the Floor Connection Profile enables an optimum transition between the profile and the floor structure, structural connection profiles offer elegant cladding options. Different opening widths of 3, 8, 10 and 20 mm allow for the use of steel sheets as well as glass or wood plates. Thanks to their simple slide-on installation, the profiles can be mounted easily and emphasize the high-quality appearance of the balustrade.



Technical note: When structural connection and/or floor connection profiles are used, the use of end caps is not possible.

# COMPREHENSIVELY CERTIFIED

For a glass balustrade system to call itself “tested”, it must fulfil numerous requirements, which, among others, can be taken from DIN 18008-4 “Glass in Building - Design and construction rules”. Part 4 of this standard particularly deals with additional requirements for fall protection glazing. They include, for example, permissible glass types, cut-outs, drill holes or types of storage. The certification process is regulated on a national level. BS 6180 applies for Great Britain, the General Building Inspection Test Certificate (AbP) for Germany, and the Avis Technique for France, to name only three of the available certifications. VetroMount® has been thoroughly tested under the official supervision of an independent testing authority. The system is therefore certified for the following applications:

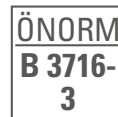
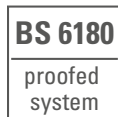
## Floor Profile U and Side Profile U

- Fastening on concrete
- Fastening on steel
- For use as attic solution from a height of 400 mm
- Enamelled glass can be used,  
e. g. as visual protection or sunscreen



## Floor Profile F and Side Profile Y

- Fastening on concrete
- Fastening on steel
- For use as attic solution from a height of 400 mm



## STRUCTURAL ANALYSIS AVAILABLE

The General Building Inspection Test Certificate contains requirements especially for impacts against the glass panes of an all-glass balustrade. In addition, a structural calculation is necessary for the purpose of testing the glass balustrade with respect to design, construction, material or loads. A so-called structural analysis is already available for many VetroMount® applications. Contact us – we are happy to assist you with your building project.



## TESTED SAFETY

---

Which certifications are available?

VetroMount® has been tested and certified for a minimum glass height of 400 mm and a maximum height of 1300 mm. Smaller panes can be used from a width of 300 mm. There is no limitation to glass length. In addition, all profiles have been tested both on concrete and on steel. Enamelled glass can be used in the Floor and Side Profile U.

---

Is a structural examination for mounting on wood available?

When mounting on wood, this structural analysis can be used as a calculation basis. The structural engineers in charge may, however, require a comparative substrate test.

---

Which is the maximum glass height to be installed? Are there any limitations as far as the glass width is concerned?

VetroMount® has been tested and certified for a minimum glass height of 400 mm and a maximum height of 1300 mm. Smaller panes can be used from a width of 300 mm. There is no limitation to glass length.

---

Which mounting hardware should be used for substrates other than concrete (e. g. wood or brick)?

Depending on the substructure, the mounting hardware must have at least the same extraction forces as the screws tested by us, if they are used on non-tested substrates. For details, please see the Technical Data Sheet at [www.bohle.com](http://www.bohle.com).

---

Can VetroMount® be installed in swimming pools with chlorinated or sea water?

Yes, thanks to its 25 µm anodised layer, VetroMount® withstands chlorinated water.

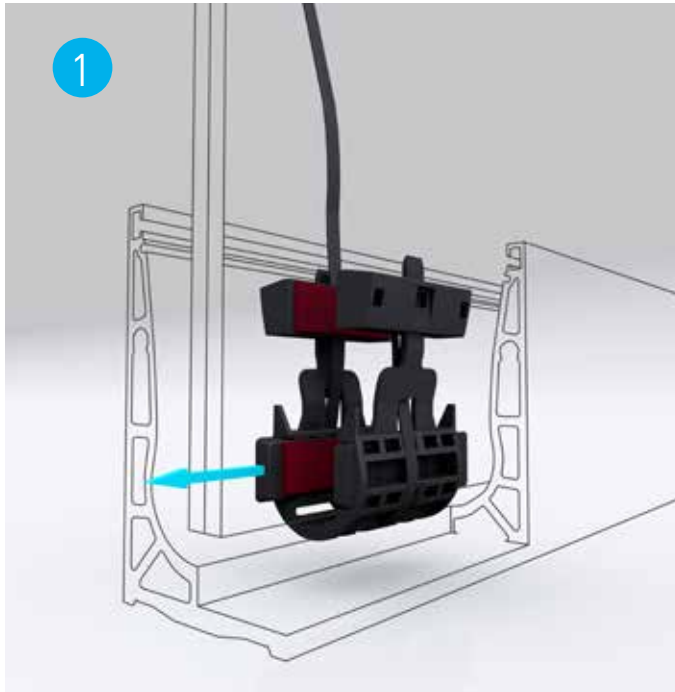
---

May the profile be underpinned or raised for drainage purposes?

If the HILTI screws mentioned in the test report are used, add-on parts with a maximum thickness of approx. 10 mm are permissible. Everything beyond this limit will require an additional structural analysis.

# EASY DISASSEMBLY

If a glass pane needs to be exchanged, an intelligent release mechanism enables simple disassembly.



Push the lower clamping wedge to the left to release the pane. The easiest way to do this is by using the mounting aid on page 28.



Use a screwdriver to release the detent mechanism and loosen the upper tensioning wedge.



Now pull the tensioning wedge upwards and take out the glass pane.



Please watch our disassembly video.





## ASSEMBLY

---

How many mounting holes are pre-drilled in each profile?

The 2500 mm profiles have 12 drill holes, the 5000 mm profiles have 24 drill holes. The number of drill holes is the same for all profile variants.

---

Can VetroMount® also be installed with monolithic glass?

The corresponding glass bearings for 15 mm and 19 mm glass are available for those countries where the use of monolithic glass is permitted for fall protection purposes, e. g. in Great Britain. These glass bearings are tested and certified, too.

---

Must screws of a particular brand (Hilti, Fischer, etc.) be used for fixing?

Bohle has carried out all tests with screws of the HILTI brand. These screws serve for reference purposes only and can be replaced by other equivalent products/manufacturers, if they have at least the same extraction forces as the screws mentioned in the test report. The respective manufacturer is happy to assist.

---

In which cases is a handrail required?

Whether a handrail is required or not is determined by the corresponding building regulations of the respective countries. In Germany, a handrail is required (exception: glass with SGP film), for example, but in Great Britain it is not. Please refer to the mounting instructions for a detailed overview.

---

My customer spontaneously decided on a cover profile. Are the rubber seals available separately or by the metre?

The rubber seals included in the VetroMount® mounting sets are also available separately, granting you more flexibility to comply with your customer's demands. This allows you to respond quickly in case of change requests. In addition, our glass bearing sets, including 13 glass bearings, are available without rubber seal. Can only be ordered by phone! See also page 33.

---

How do I trim the base and covers profiles for use in a 90° corner?

In general, both profiles must be mitre cut. Corner connectors are currently not available.

---

Which surface finishes are available for the profile and is a powder coating possible?

All VetroMount® profiles are exclusively available in aluminium anodised E6/C0. In addition, the cover profiles are available in stainless steel look.

---

Which linear expansions can be expected in case of temperature fluctuations?

Please contact your customer service representative.

# BOHLE – OUR SERVICE TO YOU

---

VetroMount® offers the appropriate application depending on the installation. We make planning and mounting as easy as can be for you – by compiling the suitable profile, the corresponding mounting sets and, if required, the appropriate accessories for you. A simple sketch sent by e-mail or fax or a call are enough to quickly and easily find a customised solution for you.



We manage large commercial construction projects as a team: Our expert team members come from the following areas: development and technical support/product management, customer service, as well as our structural analysis office or the testing authority. This expert team accompanies a building project from the early planning stage up to completion. In this way, we are able to quickly offer suitable professional solutions for different structural requirements and individual desires.

---

## SHOWROOM AND TRAINING SUITE

Our Showroom and Training Suite at our UK base in Cheshire is open to customers for drop-ins or to make an appointment, please contact your Sales Representative. We also run training for specialist skills which are advertised on our website.

---

## ALL INFORMATION AVAILABLE ONLINE

You will find further information about VetroMount® at [www.bohle.com](http://www.bohle.com). There you will find, among other things, test certificates, technical drawings, invitations to tender, mounting instructions and installation videos. Of course, you can order all VetroMount® products directly in our Online Shop.

# ABOUT BOHLE

Bohle Group has its roots in the world of glass. Looking back on an almost 100-year history, Bohle – being a developer, manufacturer and supplier of glass balustrades, sliding door applications, shower door hardware, and products for all glass processing and finishing needs – stands out due to its unique expertise in everything concerning glass.

Today, the family company, founded in 1923 as one-man business, is represented at 15 locations in Germany and abroad with almost 400 employees. Quality is the leading principle at Bohle – in every area. The company lives up to this principle, for example by developing a large part of its products in-house and manufacturing them in Germany.

## KEY



rail load: 1 kilonewton



Basic profile without cover, structural connection and/or floor connection profiles



Basic profile with cover, structural connection and/or floor connection profiles



Profile drainage possible



Optional integration of LED illumination



Suitable for staircases



The General Building Inspection Test Certificate (AbP) is a proof of usability for non-regulated construction products and construction types according to the regional building regulations of the German federal states. Pursuant to the building and safety regulations, only products with a General Building Inspection Test Certificate must be used in construction.



The French test certificate is issued by the Centre Scientifique et Technique du Bâtiment (CSTB). This inspection authority is a technical and scientific institution inspecting the degree of safety and quality of innovative construction technologies.



The British Standard, issued by the British Standards Institution, BSI, includes the use of barriers and guardrails. This also comprises, among other things, the minimum heights and load limits laid down in building regulations and the BS 6180 standard.



The technical building regulations of Spain (Código Técnico de la Edificación) regulate the safety and habitability of buildings according to the Spanish Building Act.



Apart from the General Building Inspection Test Certificate, a structural calculation is required testing the glass balustrade, among other things, with respect to design, construction, material or loads. A so-called structural analysis is already available for many VetroMount® applications.



The Italian test procedure for fall protections made of glass inspects, among other things, the resistance to linear static loads, dynamic loads and overloads.



In the Netherlands, an inspection of balustrade systems according to NEN-EN 1991-1-1 is required. This inspection also includes a test of general actions on structures – density, self-weight, and imposed loads for buildings.



The Austrian standard evaluates the fall protection effect of a parapet glazing fastened to the lower glass edge. Part three in particular deals with vertical glazing and the fall protection function.



The South African inspection procedure is aligned to the German General Building Inspection Test Certificate (AbP). During the testing process, the dynamic load is evaluated with the aid of a pendulum test.



The Swiss SIA standards 261:2014, 358:2010 and 261:2003 regulate the current state of the art for fall protections. They can be found in many building regulations.

All certificates are available online at: [www.bohle.com](http://www.bohle.com)

This catalogue and all descriptions and technical notes and explanations contained therein have been compiled to the best of our knowledge. However, we will not assume any warranty for printing mistakes and for the topicality of the contents. Construction images serve for illustration purposes only. The implementation of a building project is subject to the applicable provisions and building regulations of the respective country. In addition, this catalogue is protected by copyright. The further use of these contents is not permitted without the written confirmation of Bohle AG.



 Bohle

Bohle Ltd.  
Fifth Avenue  
Tameside Park  
Dukinfield  
Cheshire, SK16 4PP

T +44 161 3421100  
F +44 161 3440111

[sales@bohle.ltd.uk](mailto:sales@bohle.ltd.uk)  
[www.bohle.com](http://www.bohle.com)

