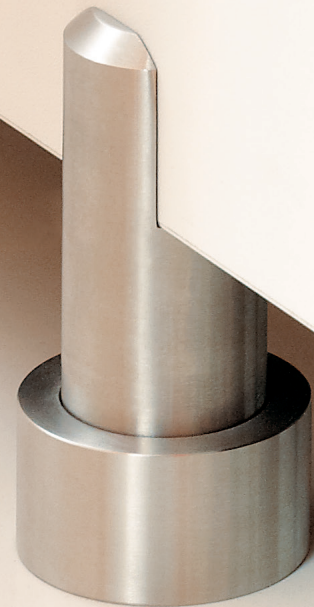


Product portfolio

**We know washrooms.**  
For all your design and  
budget requirements.



**Venesta**



# **We know washrooms. After 100 years of innovation in partnership with our customers, we're still passionate about setting new standards of design, value, performance and reliability.**

At Venesta, we live and breathe washrooms. Ever since the early days, innovation has been our inspiration, and product excellence our goal. With a commitment to setting the benchmark for design and performance, we've partnered our clients in creating solutions that they can rely on to satisfy the most challenging and demanding of briefs.

Today, our expert knowledge and pioneering attitude have inspired our new range of commercial toilet cubicle and washroom systems. On the following pages you'll discover great product choice, value for money and uncompromising quality. And because customer care is so important to us, you'll find we're breaking new ground in customer service too.

We invite you to see for yourself.

# We know our customers.

## From tailor-made design excellence to dedicated support and responsive service, everything we do is focused on you and what you need to get the job done.

### Your guarantee of quality

At Venesta, quality underscores everything we do. Our design team is dedicated to providing solutions that inspire, delight and perform superbly, even in the most demanding of environments.

All our fittings are designed to suit our clients' specific requirements. Each component is considered in detail, in terms of both visual appearance and functionality. The same integrity applies in the way we select materials.

Our research and development team is continually raising the design benchmark and no product is launched without thorough testing. In fact, we've been at the forefront of industry invention for many years and have pioneered countless innovations.

### Durable and fit for purpose to suit your demands

Everyone expects a product that's fit for purpose but for Venesta, all our products come with a rock solid 10-year guarantee. We make it our business to really understand your needs before providing the appropriate solution. That way we can be sure you're getting the right product for the job. Fit for purpose also means high standards of durability.

### Simple to install to make your life easier

Because we want to make your life as easy as possible, installation is at the top of our mind when we're creating new products. With simplicity built in to every solution and thorough fixing instructions provided, we can ensure your washroom will be built and ready for use in the shortest of time frames. But don't forget, if you do experience any difficulties, our customer service team is here to resolve any issues quickly and efficiently.

### At your service every step of the way

Our service package is unrivalled, however big or small the job. Each project is different but you can always rely on our team to be responsive to your needs and work with you until you're totally satisfied. And don't forget, if you have any queries or need technical help, our dedicated helpline team is always on hand to guide you to a solution, just call 01474 353333.

### A team of experts focused on fulfilling your needs

At Venesta, we've built a team of people who are genuinely passionate about what they do. Many of us have been with the company for years and have built up a wealth of experience and product knowledge. We have CAD people

to help with your drawings, project management people who can ensure everything is on budget and on time, manufacturing people who have a fine eye for detail and a friendly team that's committed to your total satisfaction.

### DDA compliant for your reassurance

At Venesta, we're an authority on DDA compliance. From access to colours and finishes, we offer products that are fully compliant and what's more, because we understand the DDA inside out, we can provide an unrivalled level of support and advice, if you need it.

### Value for money to suit your every budget

A quality product doesn't always mean an expensive product. No one knows that better than Venesta. We strive to ensure that our products are always competitively priced and that whatever your budget, you can expect a wide choice of excellent designs that are surprisingly affordable.



### 01 Quality control

No product is launched without thorough testing and all materials are selected for quality and durability.

### 02 On budget, on time

Our service level is unrivalled and we strive to deliver every job to your deadline and budget.

### 03 A fine eye for detail

Our team is committed to your total job satisfaction, and that means getting every detail right, every time.

### 04 A friendly team of experts

We're genuinely passionate about what we do and enjoy sharing our wealth of experience and product knowledge with you.

# We know good service.

## The quality of our products is only half the story. We know that excellent service can make all the difference to your satisfaction.

### Our 6-stage service plan

Whether it's a simple vanity unit or an extensive refit, you'll always find we go the extra mile to ensure you're happy. Here's our 6-stage service plan.

#### Stage 1 Specification

Our friendly and knowledgeable team of specification managers will help you choose the most suitable products for your project, visiting you onsite and surveying your area before quoting if needed. If you need help specifying, our NBS specification writing service is available free of charge to guide you through all the detail. Remember, whenever you need advice of any kind, just call our helpful sales team, who can also provide you with product literature and samples. And during the specification process, our dedicated technical helpline offers you all the technical support you need.

#### Stage 2 Estimating

Our estimating service levels have never been stronger; it's our aim to never deliver a late quotation. And, because we pride ourselves on our attention to detail, our comprehensive quotations always give the most detailed breakdowns of materials and prices. Don't forget, our dedicated technical helpline is here to give you technical support on all our products at any stage of the estimating and ordering process.

#### Stage 3 CAD

Once your order is placed, our highly skilled CAD technicians will prepare layout drawings. At this stage, you'll be given a dedicated CAD technician to work with you throughout your project. Everything from dimensions, colours and drawings can be sent for your approval prior to manufacture.

#### Stage 4 Manufacture and delivery

We're committed to delivering your order as soon as we possibly can, wherever you are in the country. With that in mind, we've invested £5m in state of the art machinery – allowing us to streamline our manufacturing process to make it more efficient than ever before. 100% on time, in full with no errors is our aim and we monitor our performance closely to ensure we can deliver on this.

#### Stage 5 Installation

Our highly responsive technical helpline is here to give you technical support throughout the installation process. It's worth remembering that although we're a supply only company, if you need fitting too, there are accredited installers we can recommend who have vast experience installing our products. Accredited installers undergo rigorous training and an approval process so you can be assured of a top quality job.

#### Stage 6 After sales support and spares

Once your products have been delivered, we'll give you your own dedicated point of contact to efficiently deal with all your after sales needs. Attentive and highly empathetic to your needs, they'll ensure you're completely happy at all times with our service. However, if you're not satisfied, for whatever reason, rest assured we offer replacements within 48-hours. Our friendly and helpful customer service team will be in touch with you 48-hours after delivery to ensure everything is in order.

One final thing, at Venesta, we appreciate customer feedback; it helps us to ensure we can continue to improve what we do in line with your needs. So, if you have any comments on our products or service, we want to hear them. You can call us on 01474 353333.



01



03



02



04

#### 01 Sample service

Our helpful sales team can provide you with product literature and samples

#### 02 Technical drawings

Everything from dimensions, colours and drawings can be sent for your approval prior to manufacture

#### 03 Dedicated technical helpline

When you're ready to specify, our dedicated technical helpline offers you all the technical support you need

#### 04 Design team

A specification manager will meet you face-to-face to help you choose the most suitable products for your project

# We know choice. We make washrooms to suit all your specification needs, however demanding.

Created by our team of talented designers, the Venesta range brings together toilet cubicles, pre-plumbed washroom systems, panelling, vanity units and washroom accessories. To make specifying easy, we've categorised our products into these key areas:

## V1

### Low-cost cubicles

Affordable style is our V1 signature. We've created each product to give you great value without compromising on quality or functionality.



## V2

### Standard cubicles

For style, for quality, for durability, V2 is a winning combination. Our standard range gives you the widest choice of colours and fittings.



## V3

### Premium cubicles

At Venesta, we love design and V3 is our premium range for style-led environments. You can expect superb craftsmanship and the latest finishes and on-trend colours.



### Specialist ranges

Our specialist ranges feature a collection of designs that cater for more specific requirements. With designs for education, healthcare, sports and leisure centres.



### Panelling

We created the very first pre-plumbed system and we've been evolving our range ever since. We can offer you three choices according to your needs and budget: IPS, Frameduct and Rapiduct.



### Vanities and accessories

Whatever your budget, whatever your environment, we've a great choice of vanity units and accessories to complement your washroom.



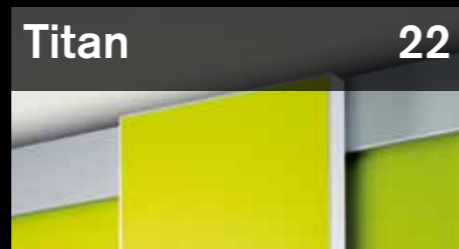
# We know washroom solutions. Choice at your service.

## V1 Low-cost cubicles



Unity

14



Titan

22



Quantum

28



Award

38

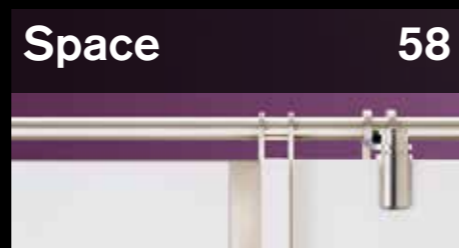
V1

## V2 Standard cubicles



Equinox

48



Space

58



Centurion

66

V2

## V3 Premium cubicles



Infinite

78



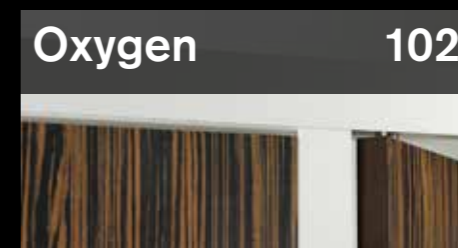
Dimension

86



Aqueous

94

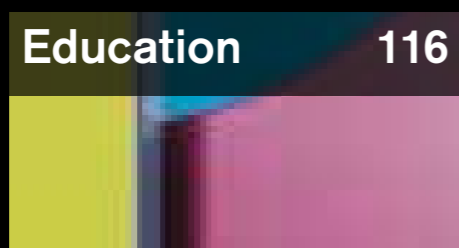


Oxygen

102

V3

## Specialist ranges



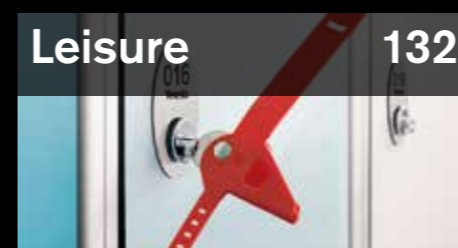
Education

116



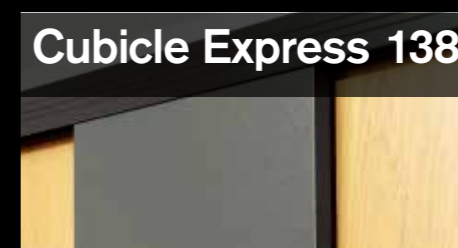
IPS Healthcare

126



Leisure

132



Cubicle Express

138

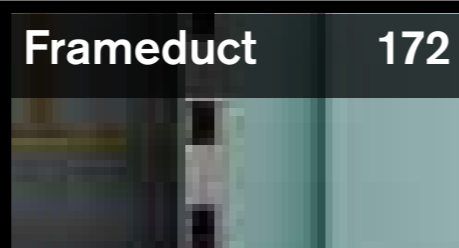
Specialist ranges

## Panelling



IPS

152



Frameduct

172



Rapiduct

178

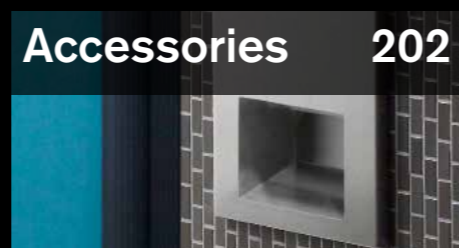
Panelling

## Vanities and accessories



Vanities

186



Accessories

202

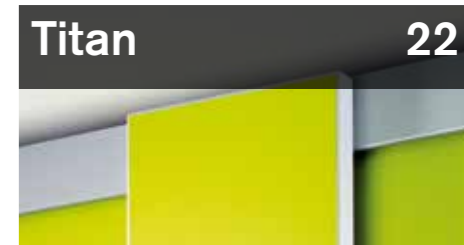
Vanities and accessories

# V1

**We know cubicles.**  
V1 delivers highly functional, affordable style that's designed to suit both your budget and your specification needs. What more could you ask for?



**Your low-cost range with quality and style built in.**  
 At Venesta, we believe you shouldn't have to compromise on quality just because you're choosing a low-cost solution. So, our design team has risen to the challenge, bringing you the best quality finishes and fittings at the best price to suit your budget.



Unity 14

Titan 22

Quantum 28

Award 38

**Unity** Simple and striking: that's Unity. This clean, modern design is the UK's most economical, well designed flush cubicle range. Whatever the environment, Unity's 'floating' flush front always makes a big impact.





# Unity



01

**01** Dedicated three part headrail in brushed stainless steel finish

**02** Stainless steel pedestals that are fitted to partitions give the range its floating appearance

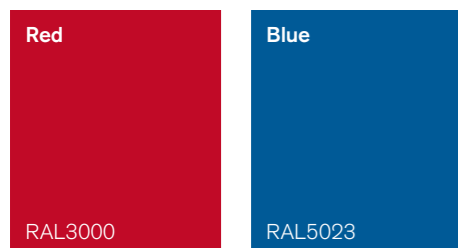
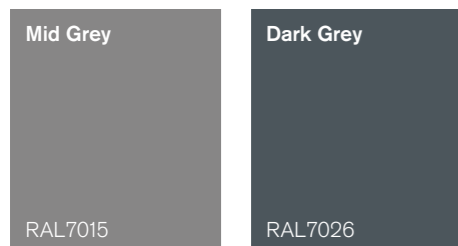
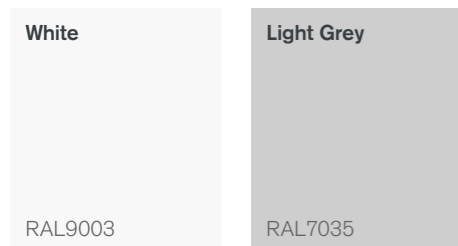
**Main image**  
Unity ColourCoat in Orange (RAL2008) and White (RAL9003), Solid Surface vanity in Vermont with Graphite under panels

See p20-21 for Unity technical specifications



02

# Unity



**ColourCoat**  
 ColourCoat is our new range of contemporary spray painted colours. Doors and pilasters are sprayed with one coat of primer and finished with pigmented polyurethane lacquer.

Note: for V3 products any colour from the RAL colour chart can be chosen

**01** Stainless steel pedestals that are fitted to partitions give the range its floating appearance

**Main image**  
 Unity ColourCoat in Purple (RAL4006), Solid Surface vanity in Mayon with Graphite under panels

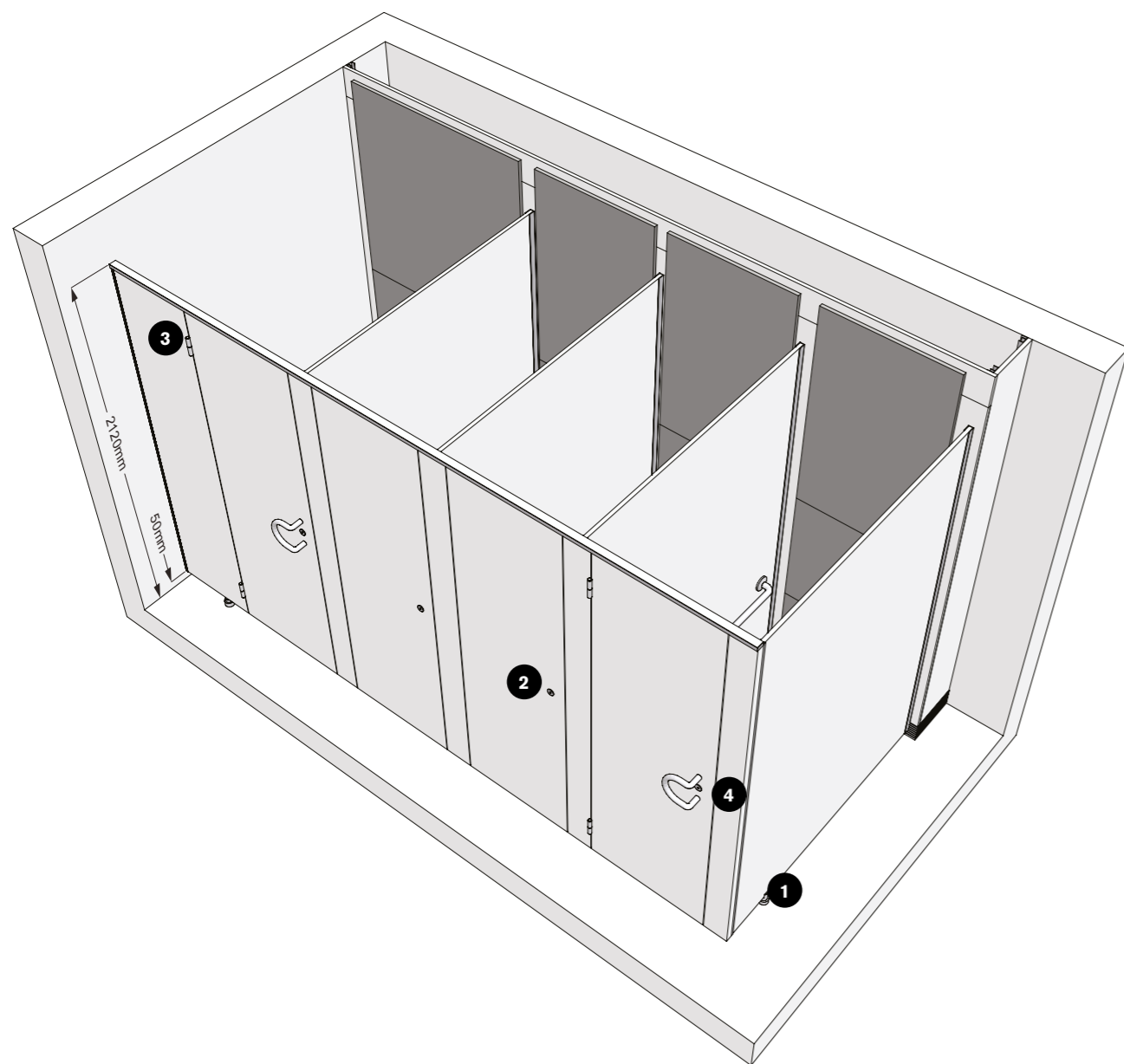
See p20-21 for Unity technical specifications



**Key features**

- Floating appearance
- Stainless steel fittings
- Gravity fix channel for pilasters
- Flush fronted
- Minimal look and clean lines

# Technical Specifying Unity



1 Pedestal



2 Indicator bolt



2 Indicator bolt



3 Hinge



4 Keep



## Dimensions

### Overall height

ColourCoat	2120mm
MFC	2120mm
HPL	2120mm
SGL	2065mm

Bespoke heights available.

Full height available, 20mm minimum ceiling clearance required.

### Floor clearance

50mm

### Maximum depth

MFC 2000mm	
HPL	2000mm
SGL	2000mm
ColourCoat	1800mm

## Performance

Available in 4 material options, Unity is suitable for every type of wet or dry environment allowing you to specify the most appropriate option to meet the site requirements and your budget.

### MFC

For dry environments with low risk of vandalism. Panels are high performance moisture-resistant melamine faced chipboard. Edges lipped with PVC. Doors and pilasters are 36mm nominal thickness, partitions are 18mm nominal thickness.

### HPL

For more heavily used washrooms, panels are heat, scratch, impact and cigarette burn resistant. Moisture-resistant chipboard faced with high pressure laminate. Edges lipped with PVC. Doors and pilasters are 36mm nominal thickness, partitions are 18mm nominal thickness.

### SGL

Solid grade laminate is extremely resistant to impact and all surfaces are impervious to water. Panels are 13mm nominal thickness with polished black radiused edges.

### ColourCoat

Panels are MDF core. Doors and pilasters are sprayed with one coat of primer and finished with pigmented polyurethane lacquer. Doors and pilasters are 25mm nominal thickness, partitions are 18mm nominal thickness.

## Detailing

### Panels and doors

Available in MFC, HPL, SGL and ColourCoat.

### Colour finish

**MFC, HPL and SGL**

36 colours.

**ColourCoat**

10 colours.

**Cubicle hardware**

Stainless steel.

### Edge treatment

**MFC and HPL**

Matching 1mm PVC lipping.

**SGL**

Polished black radiused edge.

**ColourCoat**

Edges are sprayed with one coat of primer and finished with pigmented polyurethane lacquer.

### Headrail

Slimline aluminium profile headrail in stainless steel effect finish. 3-part fixing system which allows cubicles to finish only 20mm below ceiling height.

### Cubicle hardware

**Hinge**

Stainless steel rise and fall butt hinge.

**Wall fixing**

All channels are aluminium in a brushed stainless steel effect.

**Indicator bolt**

Indicator bolt with emergency release facility and keep, all with concealed fixings.

**Pedestal**

Adjustable stainless steel pedestal with brushed finish.

### Accessories

Coat hooks and toilet roll holders available.

**Titan** Titan certainly lives up to its name. A full height design with low floor clearance for privacy, and partitions with rigid wall channels for strength where you need it most.



# Titan



**01** Unique aluminium shoe in Light Grey powder coated aluminium

**02** Light Grey powder coated aluminium headrail

See p26-27 for Titan technical specifications

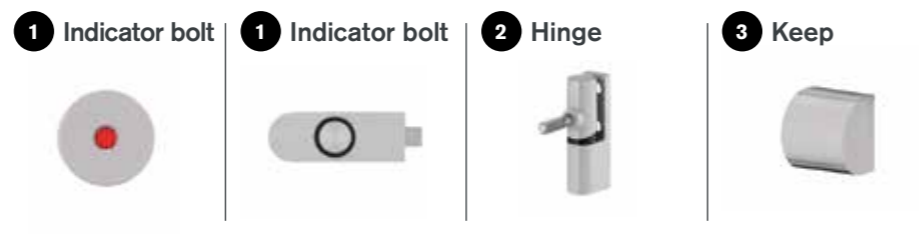
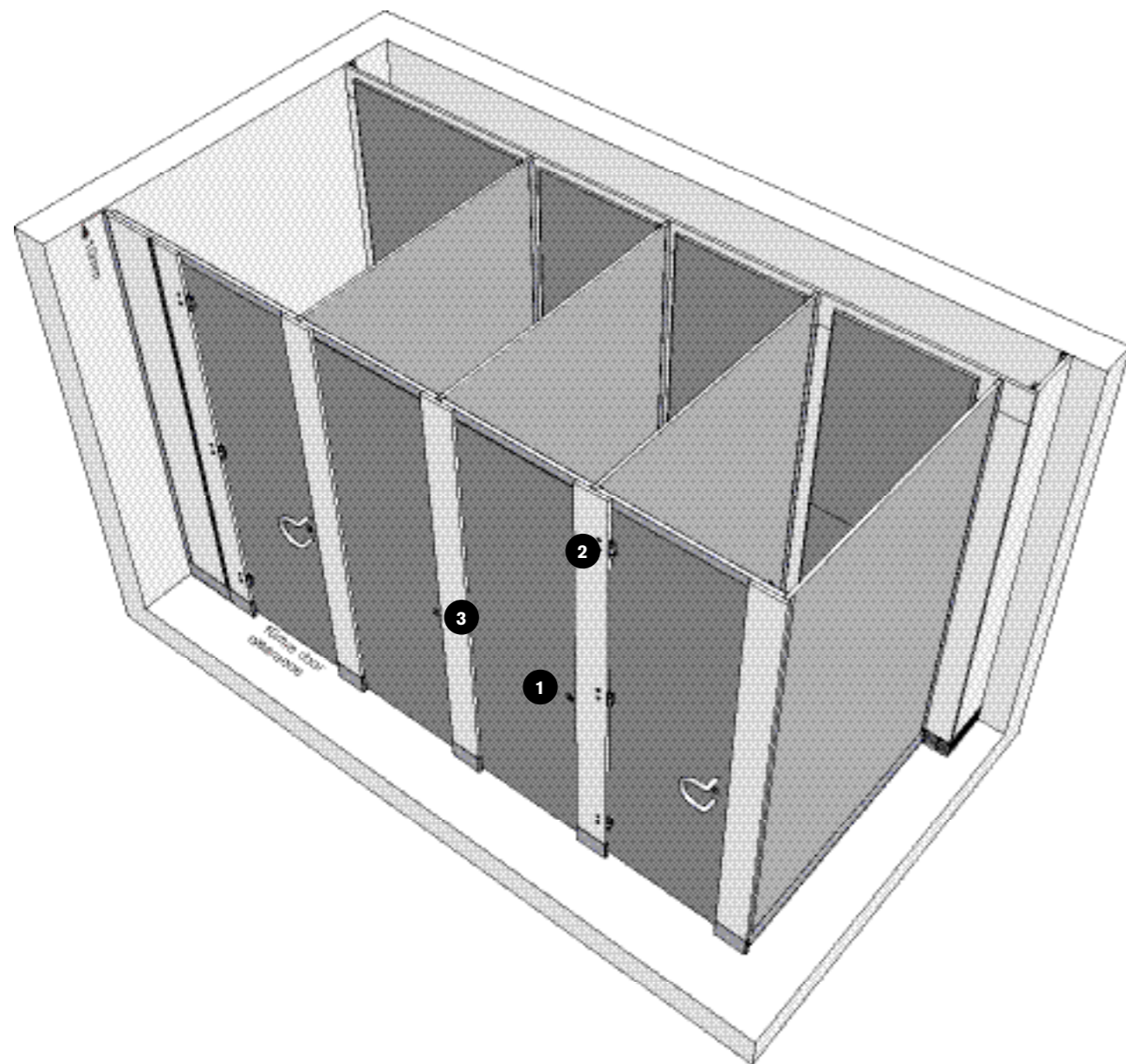
**Main image**  
Titan in Jive



**Key features**

- Total privacy
- Partition skirting channel
- Suitable for wet and dry environments
- Floor to ceiling
- Unique aluminium shoe
- Wall channels for additional rigidity

# Technical Specifying Titan



## Dimensions

<b>Maximum height</b>	
MFC	2780mm
HPL 1	2580mm
HPL 2	3100mm
SGL	2560mm
<b>Minimum height</b>	
MFC	2250mm
HPL 1	2250mm
HPL 2	2250mm
SGL	2250mm
<b>Door clearance</b>	
	10mm
<b>Ceiling clearance</b>	
	10mm
<b>Maximum depth</b>	
MFC	2000mm
HPL 1	2000mm
HPL 2	1550mm
SGL	2000mm

## Performance

Available in 3 material options, Titan is suitable for every type of wet or dry environment allowing you to specify the most appropriate option to meet the site requirements and your budget.

### MFC

For dry environments with low risk of vandalism. Panels are manufactured from 18mm nominal thickness high performance moisture-resistant melamine faced chipboard. Edges lipped with PVC.

### HPL

For more heavily used washrooms, panels are heat, scratch and impact resistant. Manufactured from moisture-resistant chipboard faced with high pressure laminate, panels are 18mm nominal thickness. Edges lipped with PVC.

### SGL

Solid grade laminate is extremely resistant to impact and all surfaces are impervious to water. Panels are 13mm nominal thickness with polished black radiused edges.

## Detailing

### Panels and doors

Available in MFC, HPL and SGL.

### Colour finish

**MFC, HPL and SGL**  
36 colours.

### Cubicle hardware

Aluminium Light Grey or Dark Grey.

### Edge treatment

**MFC and HPL**  
Matching 3mm PVC lipping.

### SGL

Polished black radiused edge.

### Headrail

Easy to fix, one piece construction. Available in 2 finishes which complement other fittings. Powder coated aluminium.

### Cubicle hardware

#### Hinge

Universal aluminium safety hinge.

#### Wall fixing

Aluminium wall channel and privacy skirting.

#### Indicator bolt

Indicator bolt with emergency release facility and keep, all with concealed fixings.

### Accessories

Coat hooks and toilet roll holders available.



**Quantum** Quantum, our best selling cubicle range, sets the benchmark for washrooms. Your need for maximum flexibility has inspired us to create a range that suits both wet and dry areas and offers the widest choice of fittings and colours.

Quantum



# Quantum



01

01 Pedestals that are fitted to partitions give the range its floating appearance

02 Powder coated aluminium headrail in Hydrogen

See p36-37 for Quantum technical specifications

**Main image**  
Quantum in Oxford Blue, Baby Blue and Skye, IPS panels in Baby Blue and Iceberg



02

### Key features

- Floating appearance
- Sculptured headrail design
- Matching contemporary fixings
- Suitable for wet and dry environments
- Total colour flexibility
- Shower curtain track option

# Quantum



V1

**Main image**  
Quantum in Grape  
and Iceberg, Quartz  
vanity in Steel

See p36-37 for  
Quantum technical  
specifications



## Quantum Post-formed

All the benefits of Quantum, but with post-formed pilasters combined with squared edged doors and partitions, for a highly attractive, softer look and feel.



01



02

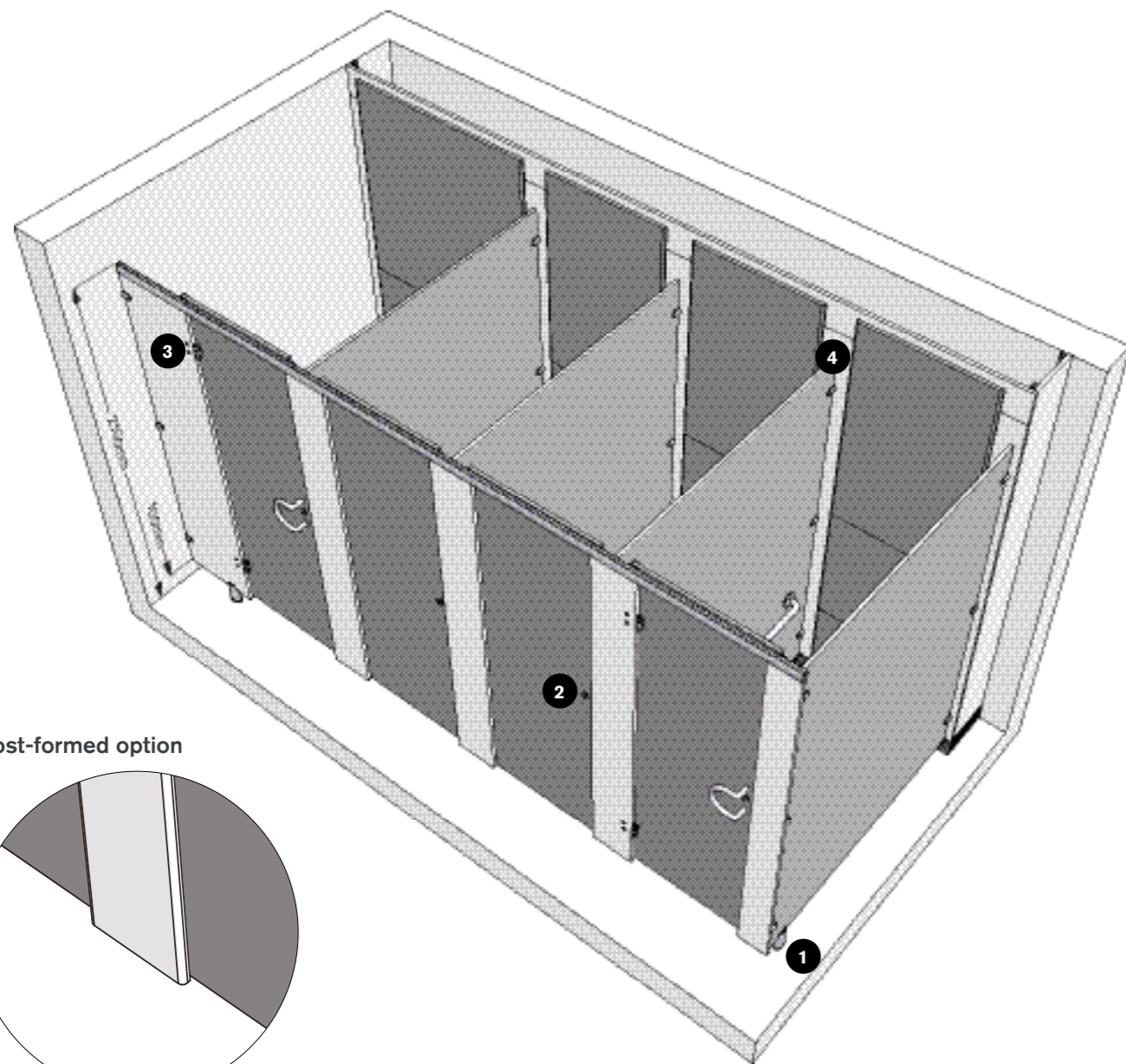
01 Post-formed pilaster detail

02 Indicator bolt fascia in Graphite

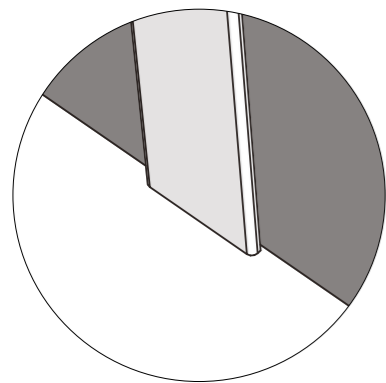
See p36-37 for Quantum technical specifications

**Main image**  
Quantum Post-formed in Wisteria and Graphite, HPL vanity in Wisteria and Graphite

# Technical Specifying Quantum



Post-formed option



## Dimensions

<b>Overall height</b>	2100mm
<b>Floor clearance</b>	100mm
<b>Maximum depth</b>	
MFC	2000mm
HPL	2000mm
SGL	2000mm

## Performance

Available in 3 material options, standard Quantum is suitable for every type of wet or dry environment allowing you to specify the most appropriate option to meet the site requirements and your budget. Quantum Post-formed features 18mm nominal thickness post-formed pilasters in HPL. Suitable for dry environments only.

**MFC**  
For dry environments with low risk of vandalism. Panels are manufactured from 18mm nominal thickness high performance moisture-resistant melamine faced chipboard. Edges lipped with PVC.

**HPL**  
For more heavily used washrooms, panels are heat, scratch and impact resistant. Manufactured from moisture-resistant chipboard faced with high pressure laminate, panels are 18mm nominal thickness. Edges lipped with PVC.

**SGL**  
Solid grade laminate is extremely resistant to impact and all surfaces are impervious to water. Panels are 13mm nominal thickness with polished black radiused edges.

## Detailing

**Panels and doors**  
Available in MFC, HPL and SGL.

**Colour finish**  
**MFC, HPL and SGL**  
36 colours.

**Cubicle hardware**  
ABS 8 colours. Aluminium Light Grey or Dark Grey and Stainless Steel.

**Edge treatment**  
**MFC**  
Matching 3mm PVC lipping.  
**HPL**  
Matching 3mm PVC lipping with the option of post-formed pilasters.  
**SGL**  
Polished black radiused edge.

**Headrail**  
Easy to fix, one piece construction. Available in 2 finishes which complement other fittings. Matching end cap. Headrail available in 8 powder coated aluminium colours and also a stainless steel effect.

**Cubicle hardware**  
**Hinge**  
Universal aluminium safety hinge.  
**Wall fixing**  
Cleat with through fixing and snap on outer case accommodates out of line wall.  
**Indicator bolt**  
Indicator bolt with emergency release facility and keep, all with concealed fixings.  
**Pedestal**  
Height adjustable for uneven floors with concealed fixings.

**Accessories**  
Coat hooks and toilet roll holders available.

**Award** Versatile, economical and easy to assemble, Award gives you a tried and tested bespoke solution that works equally well in wet or dry environments. Plus, it comes with a choice of vibrant colours and sleek fittings.





# Award



01

01 ABS pedestal in Smoke

02 ABS indicator bolt fascia in Smoke

See p42-43 for Award technical specifications

**Main image**  
Award in Buttercup and Iceberg, HPL vanity in Smoke, Iceberg and Buttercup



02

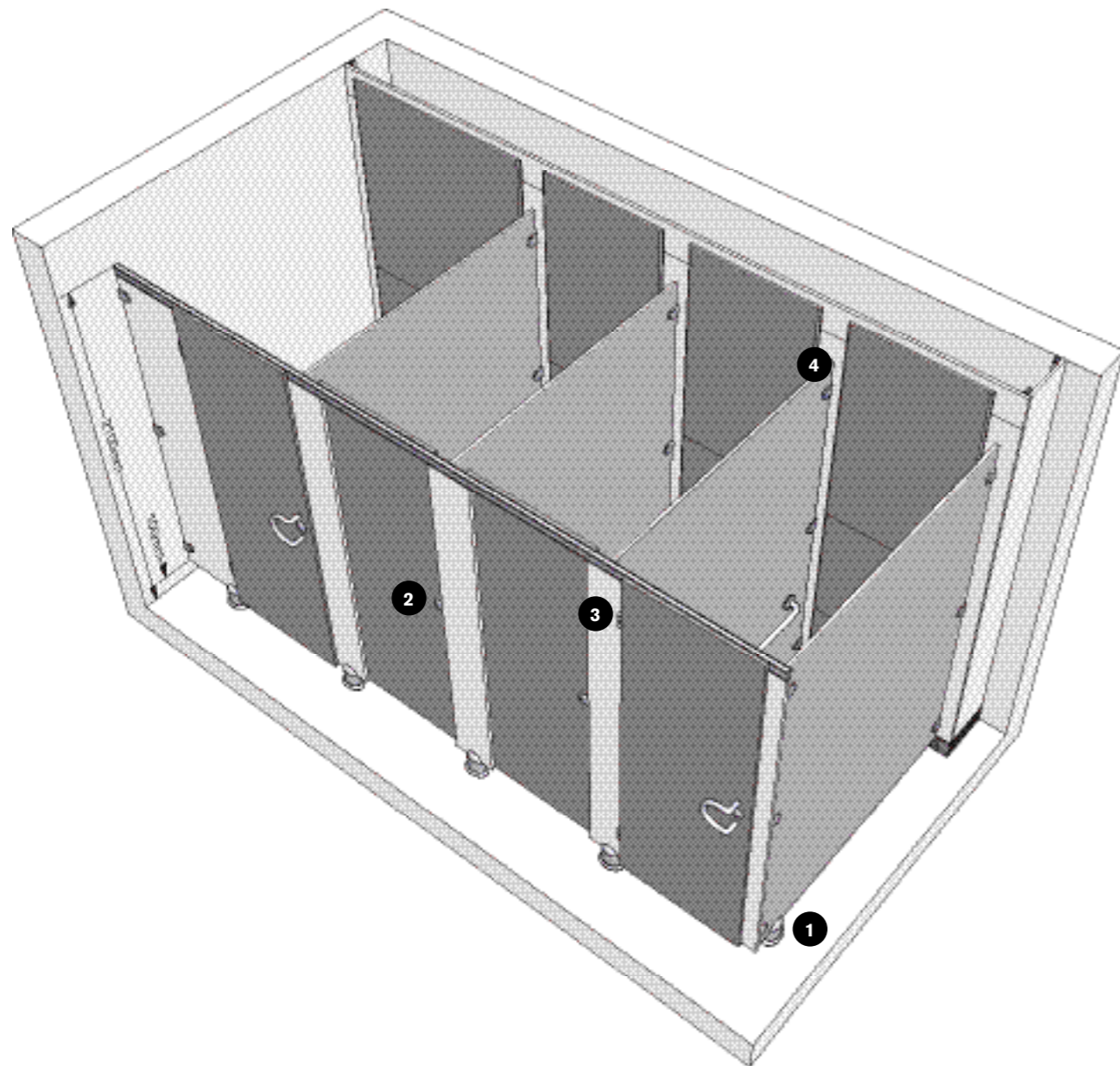


### Key features

- Flexibility
- Suitable for wet and dry environments
- Simple installation
- Economical
- Shower curtain track option

The fittings come in a choice of four options: ABS Smoke and Graphite or powder coated aluminium in Light Grey and Dark Grey

# Technical Specifying Award



1 Pedestal



2 Indicator bolt



3 Hinge



4 Cleat



## Dimensions

### Overall height

2100mm

### Floor clearance

100mm

### Door height options

Standard	2000mm
Children's option 1	1300mm
Children's option 2	1100mm

### Maximum depth

MFC	2000mm
HPL	2000mm
SGL	2000mm

## Performance

Available in 3 material options, Award is suitable for every type of wet or dry environment allowing you to specify the most appropriate option to meet site requirements and your budget.

### MFC

For dry environments with low risk of vandalism. Panels are manufactured from 18mm nominal thickness high performance moisture-resistant melamine faced chipboard. Edges lipped with PVC.

### HPL

For more heavily used washrooms, panels are heat, scratch and impact resistant. Manufactured from moisture-resistant chipboard faced with high pressure laminate, panels are 18mm nominal thickness. Edges lipped with PVC.

### SGL

Solid grade laminate is extremely resistant to impact and all surfaces are impervious to water. Panels are 13mm nominal thickness with polished black radiused edges.

## Detailing

### Panels and doors

Available in MFC, HPL and SGL.

### Colour finish

**MFC, HPL and SGL**  
36 colours.

### Cubicle hardware

ABS Graphite and Smoke, Aluminium Light Grey and Dark Grey.

### Edge treatment

**MFC and HPL**  
Matching 1mm PVC lipping.

### SGL

Polished black radiused edge.

### Headrail

Rigid aluminium channel in Light Grey and Dark Grey with matching end cap.

### Cubicle hardware

#### Hinge

Universal aluminium safety hinge.

#### Wall fixing

Cleat with through fixing and snap on outer case accommodates out of line wall.

#### Indicator bolt

Easy grip indicator bolt with emergency release facility and concealed fixings.

#### Pedestal

Height adjustable for uneven floors, with concealed fixings.

### Accessories

Coat hooks and toilet roll holders available.



# V2

**We know cubicles.**  
For quality, for style and for durability, V2 is your promise of innovation at affordable prices. With our trademark attention to detail, stylish good looks and versatility, we've created a range that satisfies time and time again.

**Your choice for colours and fittings.**  
 A faultless combination of style and functionality, V2 is our hugely popular mid-range that promises you maximum colour possibilities and a superb selection of the latest fittings.



**Equinox 48**



**Space 58**



**Centurion 66**



V2

**Equinox** A true style icon, Equinox brings you a modern washroom system with a difference. Its streamlined, curved pilasters and elliptically formed hardware are unique design features, available in a choice of three finishes.

Equinox

Equinox

# Equinox



01



02

**01** Unique, elliptical indicator bolt fascia in Light Grey

**02** Pedestals that are fitted to partitions give the range its floating appearance

See p56-57 for Equinox technical specifications

## Main image

Equinox in Grape and Jive with Light Grey powder coated pilasters, Quartz vanity in Grey



## Key features

- Sculptured headrail design
- Strong, robust aluminium pilasters available in three finishes
- Discreet, anti-tamper fixings
- Floating appearance
- Contemporary streamlined design

# Equinox



**Main image**  
Equinox in Buttercup  
with polished  
aluminium pilasters,  
Granite vanity in  
African Black

See p56-57 for  
Equinox technical  
specifications

## Case study St David's shopping centre

I was delighted with the choice and quality of the product specified for St David's, and from a practical point of view, extremely impressed with the ease in which it has been maintained. The traffic within the first year has been phenomenal – you wouldn't think so by looking at our washrooms.

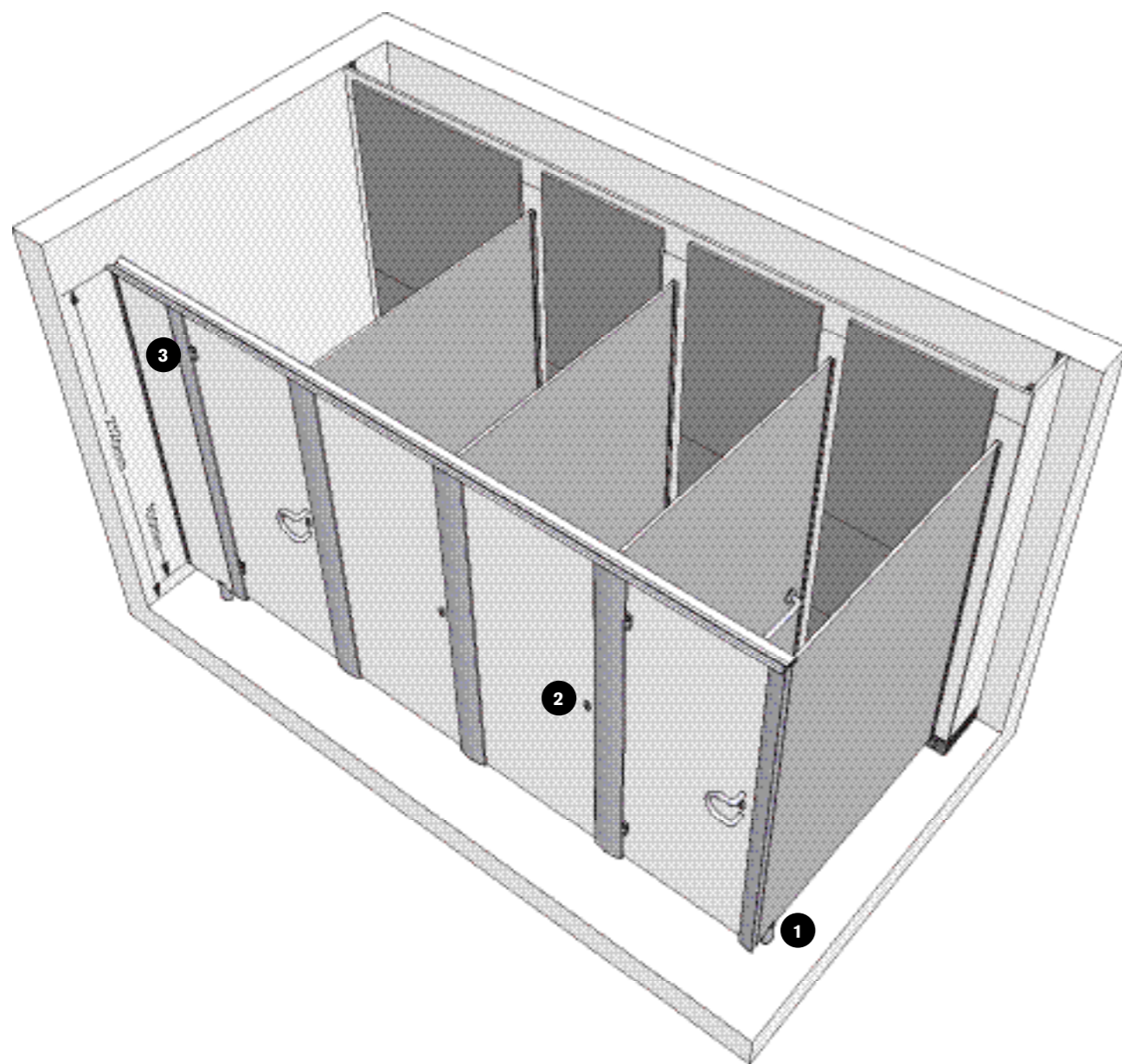
Steven Madeley, Centre Director, St David's shopping centre

In its first week of trading, more than one million shoppers visited the new extension to St David's shopping centre in Cardiff. With more than 100,000 square metres of brand new retail space, the centre is home to many iconic, upmarket brands including Apple, Hugo Boss, LK Bennett and Kurt Geiger. Designed by Benoy, the development has rejuvenated the existing St David's shopping centre and has created a new landmark retail centre in the heart of the city.

Venesta was approached by Benoy architect, Maria Cannovina, who was looking for a contemporary, streamlined washroom solution to complement the centre's modern aesthetic. We recommended Equinox, not only for its looks but also its remarkable durability; an essential consideration in an environment with such heavy traffic. The client opted for Equinox in Iceberg laminate with polished, elliptically shaped pilasters and IPS to feature throughout the whole shopping centre and within the management suite. This was a huge project for Venesta but, we're delighted to say, everything ran perfectly, from start to finish.



# Technical Specifying Equinox



1 Pedestal    2 Indicator bolt    2 Indicator bolt    3 Hinge



## Dimensions

<b>Overall height</b>	2120mm
<b>Floor clearance</b>	100mm
<b>Maximum depth</b>	
MFC	2000mm
HPL	2000mm
SGL	2000mm

## Performance

Available in 3 material options, Equinox is suitable for every type of wet or dry environment allowing you to specify the most appropriate option to meet the site requirements and your budget.

### MFC

For dry environments with low risk of vandalism. Panels are manufactured from 18mm nominal thickness high performance moisture-resistant melamine faced chipboard. Edges lipped with PVC.

### HPL

For more heavily used washrooms, panels are heat, scratch and impact resistant. Manufactured from moisture-resistant chipboard faced with high pressure laminate, panels are 18mm nominal thickness. Edges lipped with PVC.

### SGL

Solid grade laminate is extremely resistant to impact and all surfaces are impervious to water. Panels are 13mm nominal thickness with polished black radiused edges.

## Detailing

### Panels and doors

Available in MFC, HPL and SGL.

### Colour finish

**MFC, HPL and SGL**  
36 colours.

### Cubicle hardware

Light Grey and Dark Grey powder coated and polished aluminium/stainless steel.

### Edge treatment

**MFC and HPL**  
Matching 1mm PVC lipping.  
**SGL**  
Polished black radiused edge.

### Pilasters

Extruded aluminium sections available in Light Grey and Dark Grey powder coated and polished aluminium.

### Headrail

Extruded aluminium headrail available in Light Grey and Dark Grey powder coated and polished aluminium.

### Cubicle hardware

#### Hinge

Universal aluminium safety hinge.

#### Wall fixing

Partitions fixed to walls using aluminium channel in Light Grey or Dark Grey powder coated or polished to match pilasters and fittings.

#### Indicator bolt

Indicator with emergency release facility and keep, all with concealed fixings.

#### Pedestal

Height adjustable for uneven floors, with concealed fixings.

### Accessories

Coat hooks and toilet roll holders available.

**Space** Space expands your horizons with its innovative technology and minimalist lines. Aptly named, this solution has eliminated pilasters so you can reach further and create a breathtaking sense of space.

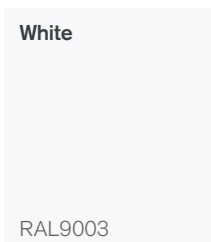




# Space

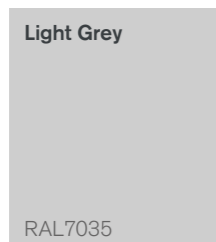


01



White

RAL9003



Light Grey

RAL7035

### ColourCoat

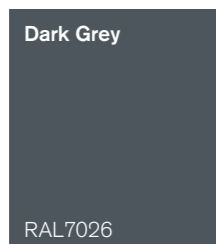
ColourCoat is our new range of contemporary spray painted colours. Doors and partitions are sprayed with one coat of primer and finished with pigmented polyurethane lacquer.

Note: for V3 products any colour from the RAL colour chart can be chosen



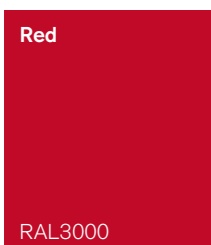
Mid Grey

RAL7015



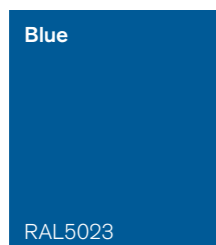
Dark Grey

RAL7026



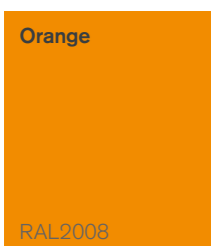
Red

RAL3000



Blue

RAL5023



Orange

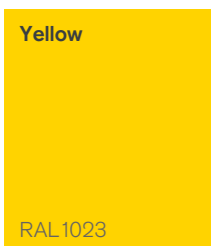
RAL2008



Purple

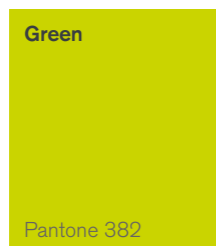
RAL4006

**01** Stainless steel indicator bolt and keep insert



Yellow

RAL 1023



Green

Pantone 382

### Main image

Space ColourCoat in White (RAL9003), Solid Surface vanity in Vermont with Grape under panels

See p64-65 for Space technical specifications



V2

# Space



01



02

**01** Stainless steel  
bottom door pivot

**02** Stainless steel top  
door pivot and headrail

See p64-65 for Space  
technical specifications

## Main image

Space in Blossom  
and Iceberg,  
Solid Surface vanity  
in Krakatoa with  
Iceberg under panels



V2

## Key features

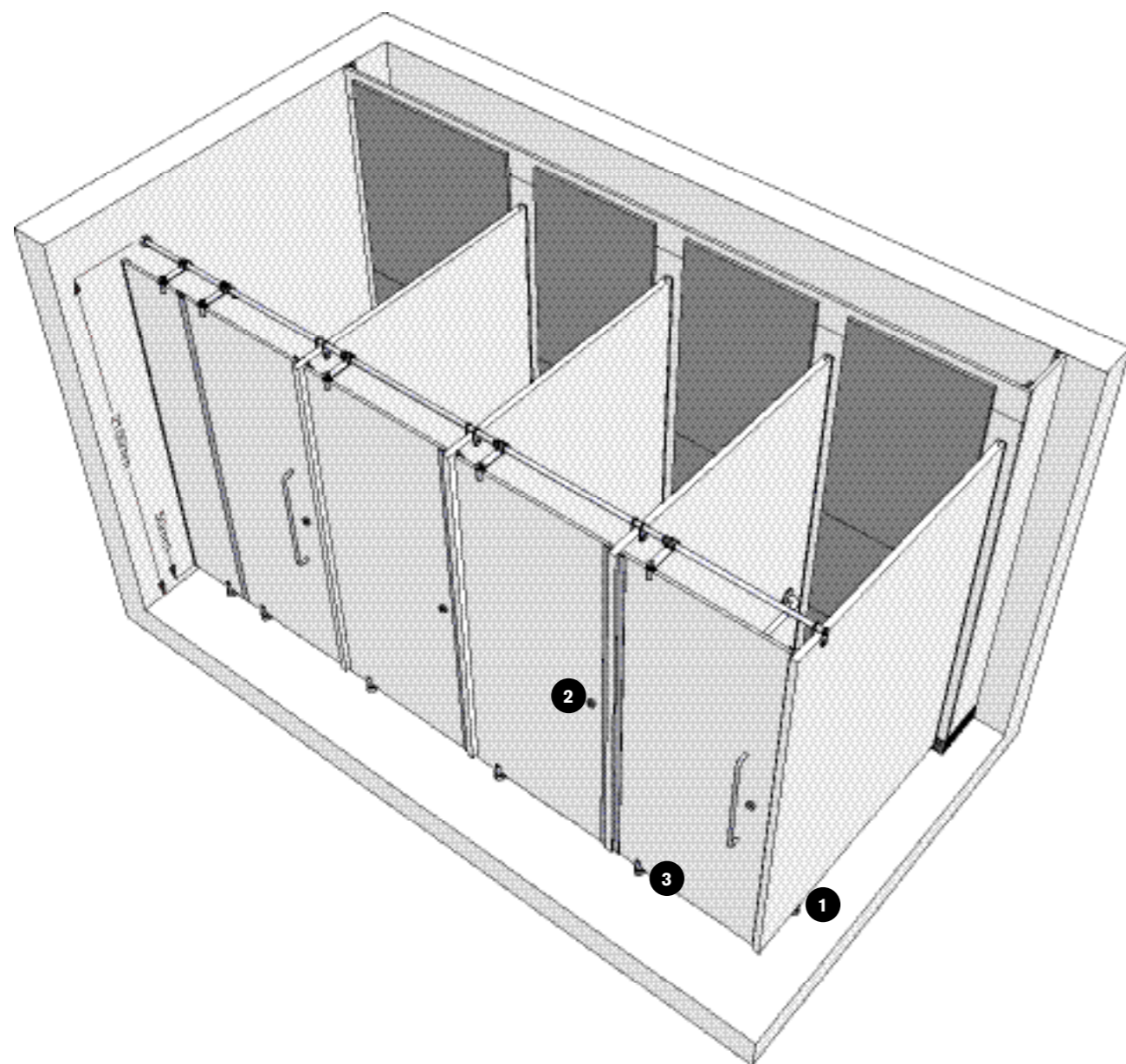
Aesthetics that challenge traditional  
cubicle design

Precision engineered, stainless  
steel fittings

Maximises washroom space

36 laminate colour options/  
10 ColourCoat options

# Technical Specifying Space



1 Pedestal



2 Indicator bolt



3 Pivot



## Dimensions

### Overall height

2150mm

From finished floor level including floor clearance.

Bespoke heights available.

### Floor clearance

50mm

### Maximum depth

MFC	2000mm
HPL	2000mm
SGL	2000mm
ColourCoat	1800mm

Maximum depth from face to back wall or rear ducting.

## Performance

Available in 4 material options, Space is suitable for every type of wet or dry environment allowing you to specify the most appropriate option to meet the site requirements and your budget.

### MFC

For dry environments with low risk of vandalism. Doors are 18mm and partitions are 30mm nominal thickness high performance moisture-resistant melamine faced chipboard. Edges lipped with PVC.

### HPL

For more heavily used washrooms, panels are heat, scratch and impact resistant. Manufactured from moisture-resistant chipboard faced with high pressure laminate, doors are 18mm and partitions are 30mm nominal thickness. Edges lipped with PVC.

### SGL

Solid grade laminate is extremely resistant to impact and all surfaces are impervious to water. Panels are 13mm nominal thickness with polished black radiused edges.

### ColourCoat

Doors are 18mm and partitions are 30mm nominal thickness MDF sprayed with one coat of primer and finished with pigmented polyurethane lacquer.

## Detailing

### Panels and doors

Available in MFC, HPL, SGL and ColourCoat.

### Colour finish

**MFC, HPL and SGL**

36 colours.

**ColourCoat**

10 colours.

**Cubicle hardware**

Stainless steel.

### Edge treatment

**MFC and HPL**

Matching 1mm PVC lipping.

**SGL**

Polished black radiused edge.

**ColourCoat**

Edges are sprayed with one coat of primer and finished with pigmented polyurethane lacquer.

### Headrail

Tubular stainless steel headrail fixed above panels to accommodate door pivots and clamp fixings.

### Cubicle hardware

#### Hinge

Stainless steel top and bottom door pivot detail.

#### Partition wall fixing

For MFC, HPL & ColourCoat wall end pilasters are fixed with the 'J' shaped channel while partitions are fixed using an aluminium secret fixing system. For SGL the partitions and wall end pilasters are fixed using stainless steel brackets.

#### Indicator bolt

Lever operated indicator bolt with cylindrical face plate and emergency release facility in stainless steel.

#### Pedestal

Adjustable stainless steel pedestal with brushed finish.

### Accessories

Coat hooks and toilet roll holders available.

**Centurion** Centurion stands for strength and rigidity but because we believe even the toughest of washrooms deserve some style, it looks good too. Centurion comes in standard or full height, to satisfy your need for extra privacy.

## Centurion Full height

As well as being extra robust, Centurion is wonderfully flexible. So, if you're looking for extra privacy with a full height cubicle, Centurion will satisfy your needs.



**01** Floor fixed pilasters in Dark Grey powder coated aluminium

**02** Colour co-ordinated HPL vanity unit

See p72-73 for Centurion technical specifications

### Main image

Centurion in Teal with Dark Grey powder coated pilasters, HPL vanity in Graphite and Teal



### Key features

- Robust frame design
- Fluted aluminium pilasters
- Renowned for strength and rigidity
- Hardwearing, anti-static powder coated finish
- Easy adjust hinges
- Floor to ceiling for increased privacy



## Centurion

Centurion's strength comes from a number of key details. Wall channels offer extra rigidity and pilasters extend to the floor, so no pedestals are required.



**01** Light Grey satin anodised aluminium headrail at pilaster junction

**02** Light Grey satin anodised aluminium indicator bolt fascia

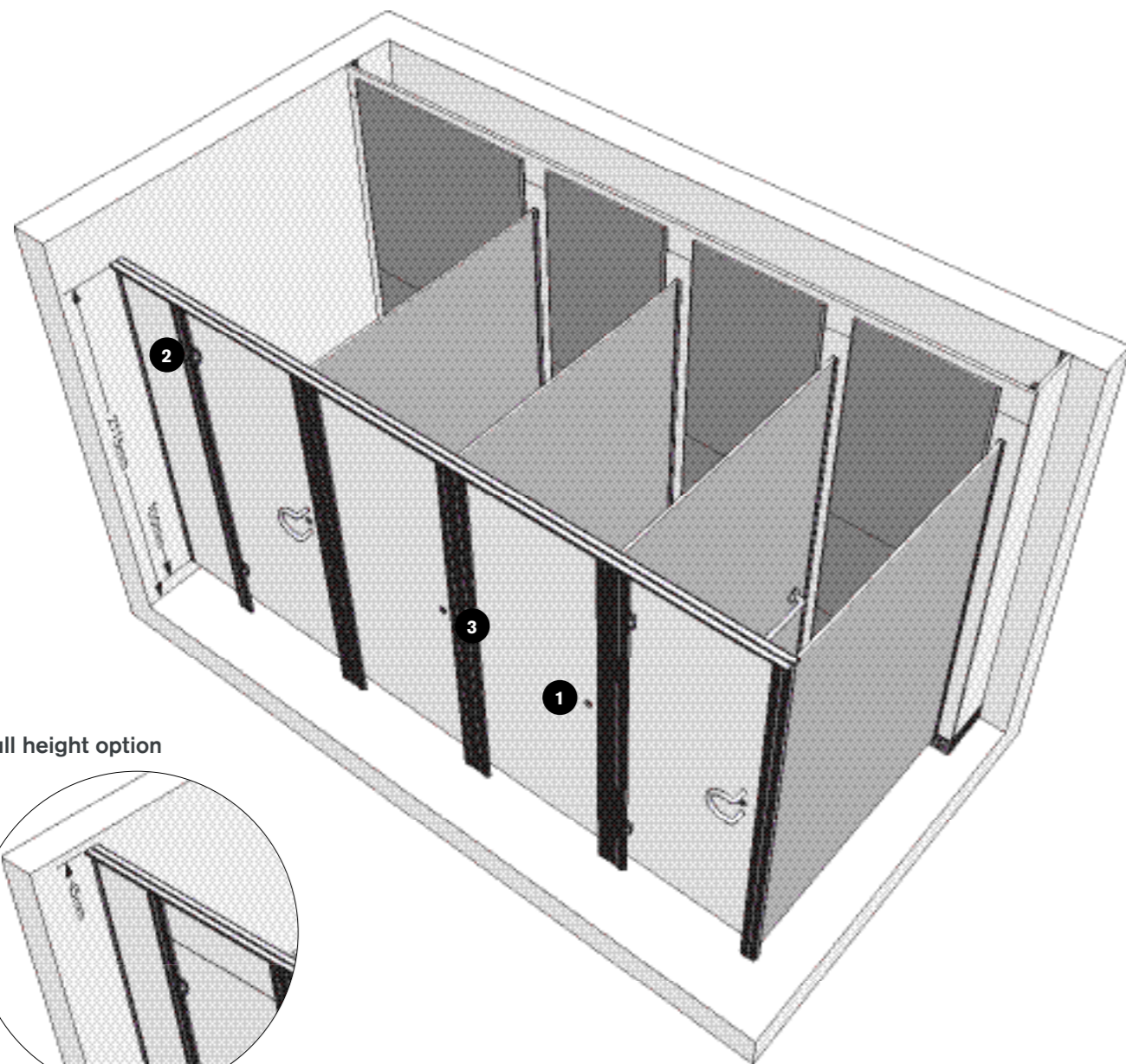
See p72-73 for Centurion technical specifications

**Main image**  
Centurion in Marathon with Light Grey satin anodised aluminium pilasters, IPS panels in Graphite

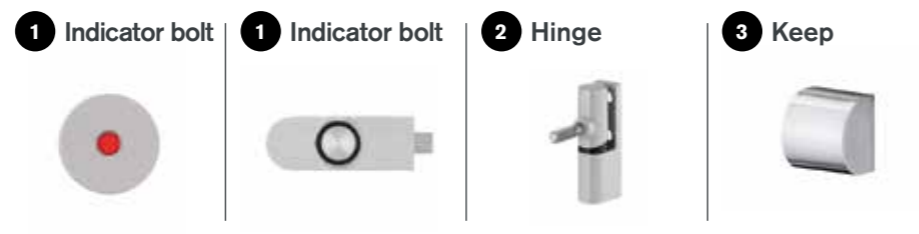
### Key features

- Robust frame design
- Fluted aluminium pilasters
- Renowned for strength and rigidity
- Hardwearing, anti-static powder coated finish
- Easy adjust hinges

# Technical Specifying Centurion



Full height option



## Dimensions

### Centurion

**Overall height**  
2115mm

**Floor clearance**  
100mm

**Maximum depth**  
MFC 2000mm  
HPL 2000mm  
SGL 2000mm

### Centurion Full height

**Maximum height**  
MFC 2705mm  
HPL 1 2570mm  
HPL 2 3000mm  
SGL 2550mm

**Minimum height**  
MFC 2000mm  
HPL 1 2000mm  
HPL 2 1560mm  
SGL 2000mm

**Door clearance**  
10mm

**Ceiling clearance**  
45mm

**Maximum depth**  
MFC 2000mm  
HPL 1 2000mm  
HPL 2 1560mm  
SGL 2000mm

## Performance

Available in 3 material options, Centurion is suitable for every type of wet or dry environment allowing you to specify the most appropriate option to meet the site requirements and your budget.

### MFC

For dry environments with low risk of vandalism. Panels are manufactured from 18mm nominal thickness high performance moisture-resistant melamine faced chipboard. Edges lipped with PVC.

### HPL

For more heavily used washrooms, panels are heat, scratch and impact resistant. Manufactured from moisture-resistant chipboard faced with high pressure laminate, panels are 18mm nominal thickness. Edges lipped with PVC.

### SGL

Solid grade laminate is extremely resistant to impact and all surfaces are impervious to water. Panels are 13mm nominal thickness with polished black radiused edges.

## Detailing

### Panels and doors

Available in MFC, HPL and SGL.

### Colour finish

**MFC, HPL and SGL**  
36 colours.

### Cubicle hardware

Light Grey satin anodised or Dark Grey powder coated aluminium.

### Edge treatment

**MFC and HPL**  
Matching 1mm PVC lipping.

### SGL

Polished black radiused edge.

### Pilasters

Extruded aluminium sections available in Light Grey satin anodised or Dark Grey powder coated aluminium.

### Headrail

Extruded aluminium headrail available in Light Grey satin anodised or Dark Grey powder coated aluminium.

### Cubicle hardware

#### Hinge

Universal aluminium safety hinge.

#### Wall fixing

Partitions fixed to walls using aluminium channel.

#### Indicator bolt

Indicator bolt with emergency release facility and keep, all with concealed fixings.

#### Pedestal

The Centurion cubicle has extruded aluminium pilasters which extend down to floor level and fixed to floor mounting blocks.

### Accessories

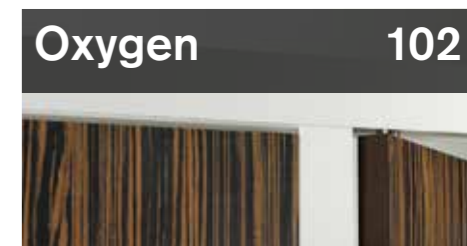
Coat hooks and toilet roll holders available.

# V3

**We know cubicles.**  
V3 promises you cutting-edge design, refined aesthetics and superb craftsmanship. Welcome to the very best in prestigious, contemporary washrooms, guaranteed to exceed all your expectations.



**Outstanding designs that deliver on every level.**  
 Sleek and sophisticated with a host of clever details, V3 is our premium range of washrooms. We've used the latest technology and a range of exquisite materials to create a collection of contemporary excellence.



V3



**Infinite** 78

**Dimension** 86

**Aqueous** 94

**Oxygen** 102

**Infinite** The ultimate in classic modernity, Infinite delivers sleek, clean lines, flush fronts and minimalist fittings. This is a contemporary, high quality solution, perfect for the most stylish environment.

# Infinite



**Main image**

Infinite Veneer in straight grain Fumed Oak, Infinite ColourCoat in White RAL9003, Rapiduct in straight grain Fumed Oak

See p84-85 for Infinite technical specifications

## Infinite Veneer

Real wood veneers offer a rich, earthy tone to spice up a modern washroom with warmth and texture.



**01** Door and pilaster appear to be floating

**02** Stainless steel indicator bolt fascia

See p84-85 for Infinite technical specifications

### Main image

Infinite Veneer in horizontal grain American Black Walnut, bespoke Dupont Zodiac vanity in Chalk White

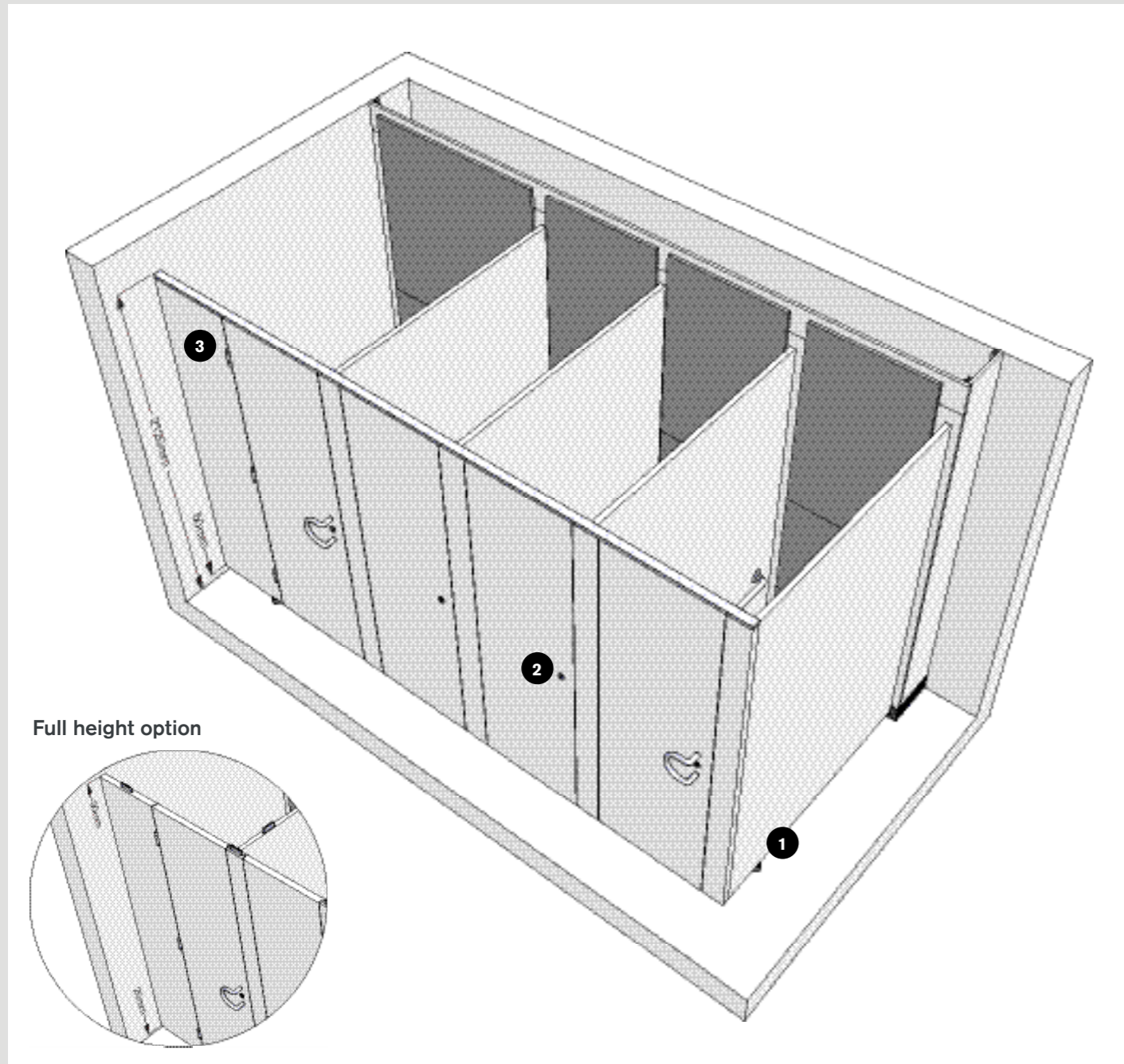
For the full choice of veneers, please visit our website at [www.venesta.co.uk](http://www.venesta.co.uk), contact our sales team or refer to our colour guide



### Key features

- Flush fronted
- Minimal look and clean lines
- Real wood veneer
- Stainless steel fittings
- Floating appearance

# Technical Specifying Infinite



1 Pedestal



2 Indicator bolt



3 Hinge



## Dimensions

### Overall height

2120mm

Bespoke heights available.

Full height available, 30mm ceiling clearance and 20mm floor clearance required.

### Floor clearance

50mm

### Maximum depth

Veneer 1525mm or 1830mm\*  
ColourCoat 1800mm

\*dependent upon veneer choice.

### Bespoke

Infinite cubicles can be specified in various configurations, the images on pages 78-83 are indicative to what can be achieved using a combination of components available.

## Performance

Available in 2 material options, Infinite is suitable for even the most prestigious environments allowing you to specify with confidence.

### Veneer

Doors and pilasters are 44mm nominal thickness chipboard faced with real wood veneer, partitions are 30mm MDF faced with real wood veneer. Edges finished with hardwood lipping.

### ColourCoat

Doors and pilasters are 44mm nominal thickness chipboard, partitions are 30mm MDF, both are sprayed with one coat of primer and finished with pigmented polyurethane lacquer.

## Detailing

### Panels and doors

Available in Veneer and ColourCoat.

### Colour finish

#### Veneer

Unlimited veneer options (varying price points).

#### ColourCoat

Unlimited ColourCoat options – any RAL colour.

### Cubicle hardware

Stainless steel.

### Edge treatment

#### Veneer

Hardwood lipping to match veneer face.

#### ColourCoat

Edges are sprayed with one coat of primer and finished with pigmented polyurethane lacquer.

### Headrail

Slimline aluminium profile headrail in stainless steel effect finish. 3-part fixing system which allows cubicles to finish only 20mm below ceiling height. Full height has the option of no headrail, with a pilaster to ceiling fixing block.

### Cubicle hardware

#### Hinge

Rise and fall butt hinge.

#### Wall fixing

Partitions and pilasters fixed with an aluminium secret fixing system.

#### Indicator bolt

Lever operated mortise indicator bolt with circular face plate and emergency release facility.

#### Pedestal

Adjustable stainless steel pedestal with brushed finish.

### Accessories

Coat hooks and toilet roll holders available.

**Dimension** An industry first, Dimension is our breakthrough cubicle range designed without pilasters. With engineered fittings and a choice of rich veneer or glass, Dimension creates the illusion of space – perfect for today's busy washroom.

Dimension

## Dimension Veneer

Timeless and good looking, Dimension Veneer breaks the mould in contemporary washrooms.



**Main image**  
Dimension Veneer  
in crown cut Sapele,  
Oslo glass vanity

See p92-93 for  
Dimension technical  
specifications

## Dimension Glass

With more than a hint of futurist minimalism, Dimension Glass' unfussy design and modern finish is right on-trend.



**01** Stainless steel bottom door pivot

**02** Stainless steel indicator bolt with pull handle and keep

See p92-93 for Dimension technical specifications

**Main image**  
Dimension Glass in Black, Granite vanity in Ivory Pink

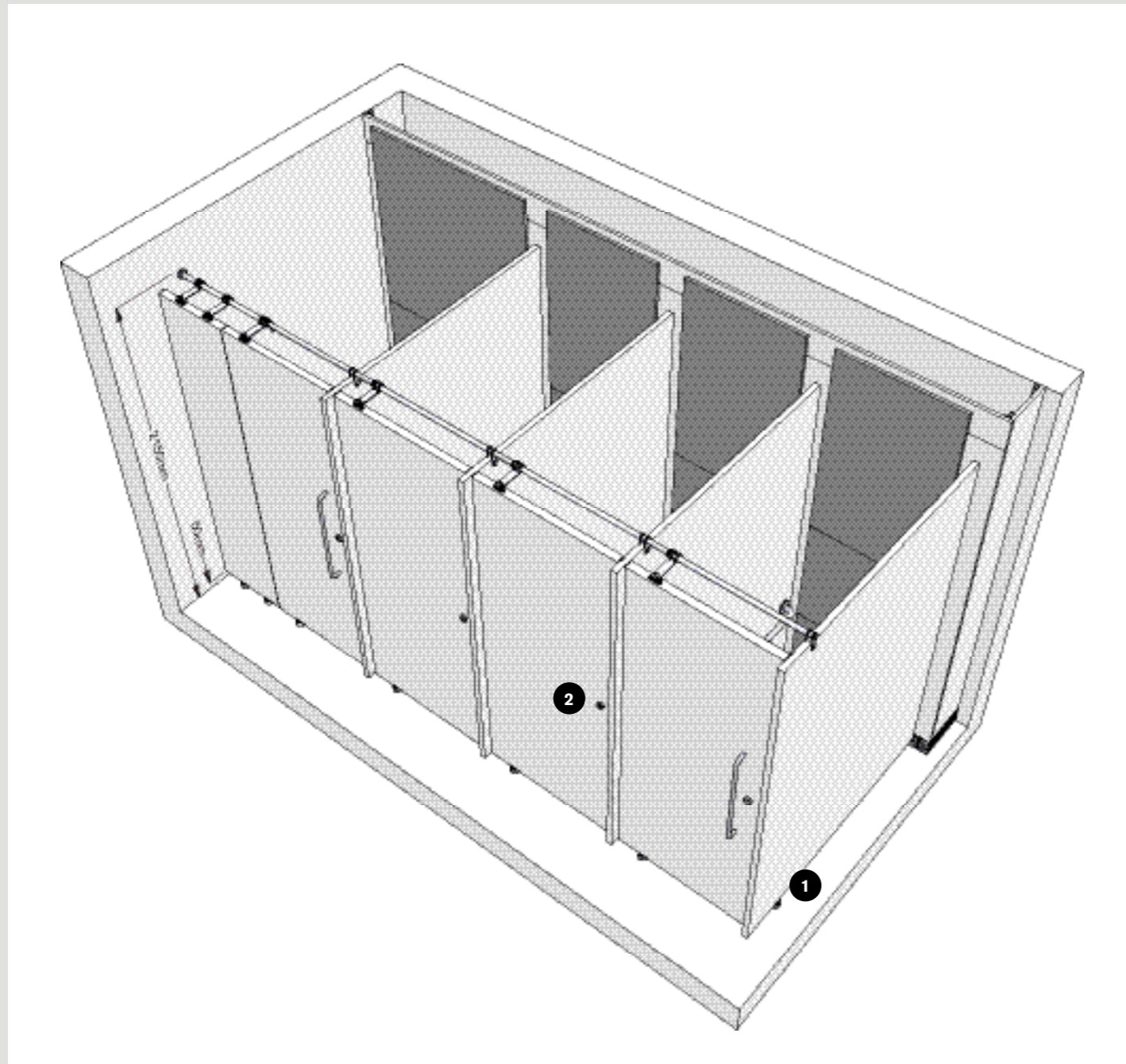


### Key features

- Aesthetics that challenge traditional cubicle design
- Maximises washroom space
- Precision engineered, stainless steel fittings
- Toughened or laminated glass, real wood veneer and ColourCoat
- Unique privacy seal
- Eliminates the need for pilasters



# Technical Specifying Dimension



## Dimensions

**Veneer and ColourCoat**  
**Overall height**  
 Standard 2150mm  
 Bespoke heights available.

**Floor clearance**  
 50mm

**Maximum depth**  
 Veneer 1525mm or 1830mm\*  
 ColourCoat 1800mm

\*dependent on veneer choice.

**Glass**  
**Overall height**  
 Standard 2150mm  
 Bespoke heights available.

**Floor clearance**  
 50mm

**Maximum depth**  
 Dependent upon glass choice.

## Performance

Available in 3 material options, Dimension is suitable for even the most prestigious environments allowing you to specify with confidence.

**Veneer**  
 Doors are 44mm nominal thickness chipboard faced with real wood veneer, partitions are 30mm MDF faced with real wood veneer. Edges finished with hardwood lipping.

**ColourCoat**  
 Doors are 44mm nominal thickness chipboard, partitions are 30mm MDF, both are sprayed with one coat of primer and finished with pigmented polyurethane lacquer.

**Glass**  
 Doors and partitions are manufactured from 10mm screen printed toughened safety glass and available in opaque Black or White. Also available in 11.5mm laminated glass.

## Detailing

**Panels and doors**  
 Available in Veneer, ColourCoat and Glass.

**Colour finish**  
**Veneer**  
 Unlimited veneer options (varying price points).  
**ColourCoat**  
 Unlimited ColourCoat options – any RAL colour.  
**Glass**  
 Black or white screen printed glass or laminated glass available.

**Cubicle hardware**  
 Stainless steel.

**Edge treatment**  
**Veneer**  
 Hardwood lipping to match veneer face.  
**ColourCoat**  
 Edges are sprayed with one coat of primer and finished with pigmented polyurethane lacquer.  
**Glass**  
 Edges polished flat and arised.

**Headrail**  
 Tubular stainless steel headrail fixed above panels to accommodate door pivots and clamp fixings.

**Cubicle hardware**  
**Pivot**  
 Top and bottom door pivot detail.  
**Wall fixing**  
 Veneer and ColourCoat partitions fixed with an aluminium secret fixing system. Glass partitions fixed using stainless steel brackets.  
**Indicator bolt**  
 Lever operated indicator bolt with cylindrical face plate and emergency release facility.  
**Pedestal**  
 Adjustable stainless steel pedestal with brushed finish.

**Accessories**  
 Coat hooks and toilet roll holders available.

**Aqueous** Uncluttered and uncompromising, with Aqueous, less is more. This glass solution, with its unique floating appearance and pristine reflective surfaces, brings a deep sense of luxury and sophistication to any washroom.

Aqueous

# Aqueous



**Main image**  
Aqueous in White,  
Rapiduct in crown  
cut American White  
Oak veneer

See p100-101 for  
Aqueous technical  
specifications

# Aqueous



Black glass

White glass

**01** Stainless steel indicator bolt with pull handle and keep

**02** Stainless steel tubular headrail detail

See p100-101 for Aqueous technical specifications

## Main image

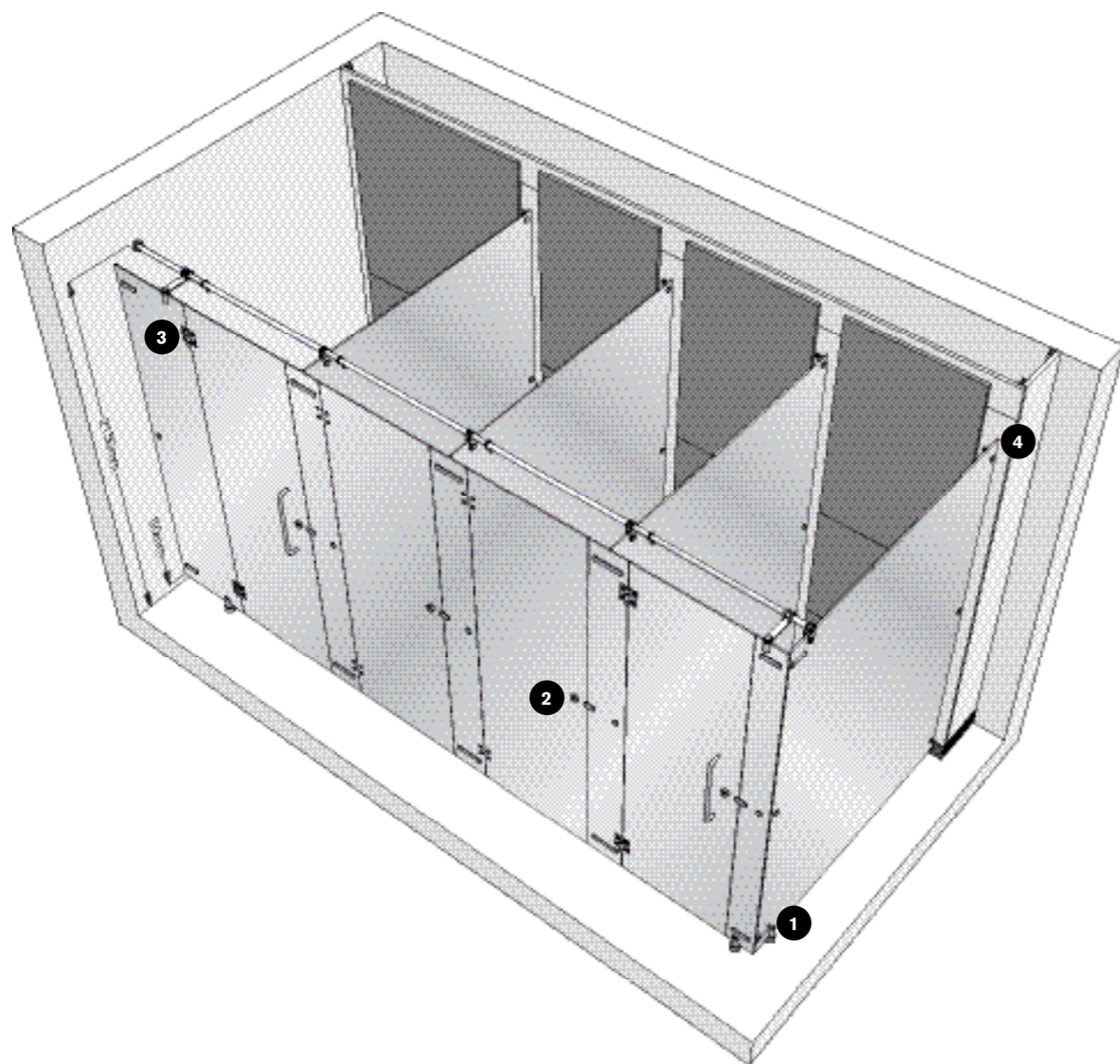
Aqueous in Black, Granite vanity with bespoke downstand in Emerald Pearl



## Key features

- Floating appearance
- Minimalist look
- Cohesive stainless steel fittings
- Flush fronted glass
- Unique privacy seal

## Technical Specifying Aqueous



1 Pedestal



2 Indicator bolt



3 Hinge



4 Wall bracket



### Dimensions

**Overall height**

2150mm

Bespoke heights available.

**Floor clearance**

50mm

**Depth**

Bespoke depths available dependent upon glass choice.

### Performance

Our glass range, Aqueous, is suitable for even the most prestigious environments allowing you to specify with confidence.

**Glass**

Doors and partitions are manufactured from 10mm screen printed toughened safety glass and are available in opaque Black or White. Also available in 11.5mm laminated glass.

### Detailing

**Partitions and doors**

Available in glass.

**Colour finish**

**Panels and doors**

Black or White screen print or laminated glass.

**Cubicle hardware**

Stainless steel.

**Edge treatment**

Edges polished flat and arised.

**Headrail**

Tubular stainless steel headrail fixed above panels to accommodate partition clamp fixings.

**Cubicle hardware**

**Hinge**

Flush sprung hinge in stainless steel brushed finish with front fascia discs.

**Wall fixing**

Pilasters and partitions fixed using stainless steel brackets.

**Indicator bolt**

Lever operated indicator bolt with cylindrical front which acts as a pull handle with emergency release facility in stainless steel.

**Pedestal**

Adjustable stainless steel pedestal with brushed finish.

**Oxygen** Effortlessly stylish, Oxygen breathes life into contemporary washrooms. This innovative cubicle offers maximum privacy. Its features include a clever pivoting hinge system, seamless pilasters and a choice of real wood veneer, glass, HPL or MFC finish.

# Oxygen Veneer



### Key features

- Uniform slimline pilasters and headrail
- Encapsulated sprung pivot hinge with soft-close option
- Real wood veneers
- Stainless steel fittings



**Main image**  
 Oxygen Veneer  
 in straight grain  
 Ebony, Quartz vanity  
 in Astro Black

See p110-111 for  
 Oxygen technical  
 specifications

# Oxygen Glass

Distinctly futuristic, opaque glass is the highlight of this visionary range.



Black glass

White glass

01 Indicator bolt fascia

02 Stainless steel pedestal

See p112-113 for Oxygen Glass technical specifications

## Main image

Oxygen Glass in White, Quartz vanity with bespoke downstand in Steel



## Key features

- Uniform, slimline pilasters and headrail
- Unique pivot hinge system
- Toughened safety glass
- Stainless steel fittings



## Oxygen HPL

Supremely versatile yet wonderfully simple, high pressure laminate gives you limitless colour opportunities to create the ultimate modern look and feel.



**01** Unique headrail pivot system

**02** Stainless steel indicator bolt fascia

See p110-111 for Oxygen technical specifications

### Main image

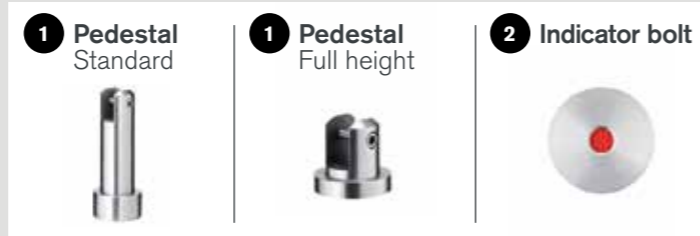
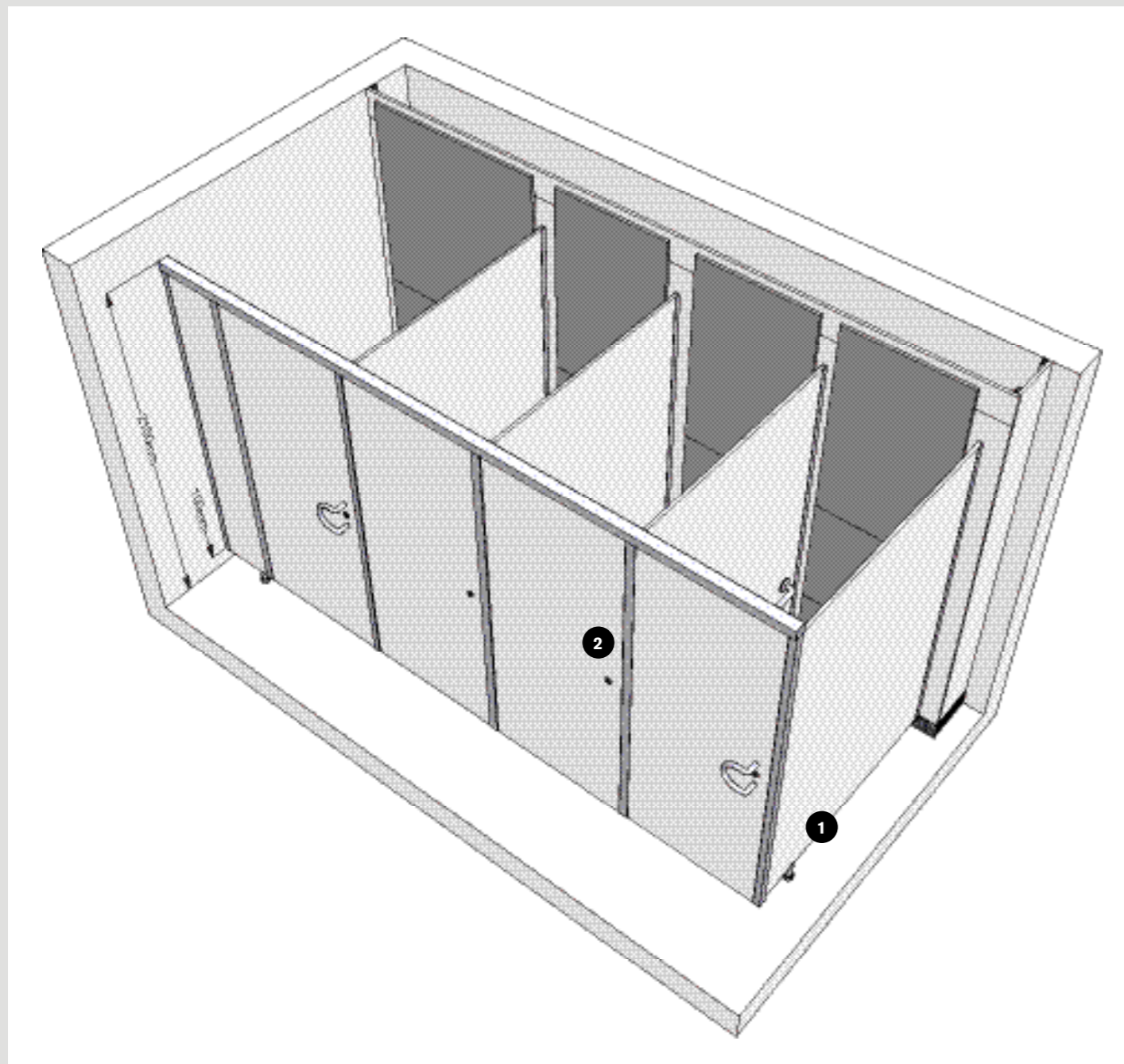
Oxygen HPL in Iceberg, Rapiduct in straight grain European Oak, Quartz vanity in Pebble Grey

### Key features

Uniform, slimline pilasters and headrail  
Encapsulated pivot hinge  
36 laminate colour options  
Stainless steel fittings



# Technical Specifying Oxygen Veneer/HPL/MFC



## Dimensions

### Overall height

Standard height with  
100mm floor clearance 2150mm  
Standard height with  
15mm floor clearance 2065mm

Bespoke heights available

10mm ceiling clearance required

### Floor clearance

Standard	100mm
Privacy	15mm

### Maximum depth

Standard height veneer 1525mm or  
1830mm\*

Standard height HPL 2000mm

Standard height MFC 2000mm

\*dependent on veneer choice.

## Performance

Available in 3 material options, Oxygen is suitable for even the most prestigious environments allowing you to specify with confidence.

### Veneer

Doors are 36mm nominal thickness chipboard faced with real wood veneer and edged with hardwood lipping. Available with 18mm nominal thickness MFC, HPL or Veneer partitions (see descriptions below).

Veneer partitions are 18mm overall nominal thickness MDF core, faced with real wood veneer. All edges are lipped with matching hardwood lipping.

### HPL

Moisture-resistant chipboard faced with high pressure laminate and edged with PVC, doors are 36mm nominal thickness and partitions are 18mm nominal thickness.

### MFC

Melamine faced moisture-resistant chipboard edged with PVC, doors are 36mm nominal thickness and partitions are 18mm nominal thickness.

## Detailing

### Panels and doors

Doors and partitions available in Veneer, HPL and MFC.

### Colour finish

#### Veneer

Unlimited veneer options (varying price points).

#### MFC and HPL

36 colours.

#### Cubicle hardware

Stainless steel.

### Edge treatment

#### Veneer

Matching hardwood lipping.

#### HPL and MFC

Matching 1mm PVC lipping

### Pilasters

Extruded aluminium sections in ultra-matt satin anodised finish.

### Headrail

Extruded aluminium headrail in ultra-matt satin anodised finish.

### Cubicle hardware

#### Hinge

A sprung capsule is hidden within the headrail to allow door closure.

An optional soft-close hydraulic closer is available. The door pivot is mounted on bearings for smooth operation.

#### Wall fixing

Partitions fixed to walls using extruded aluminium channel in ultra-matt satin anodised finish to match pilasters.

#### Indicator bolt

Indicator bolt with emergency release facility and keep, all with concealed fixings.

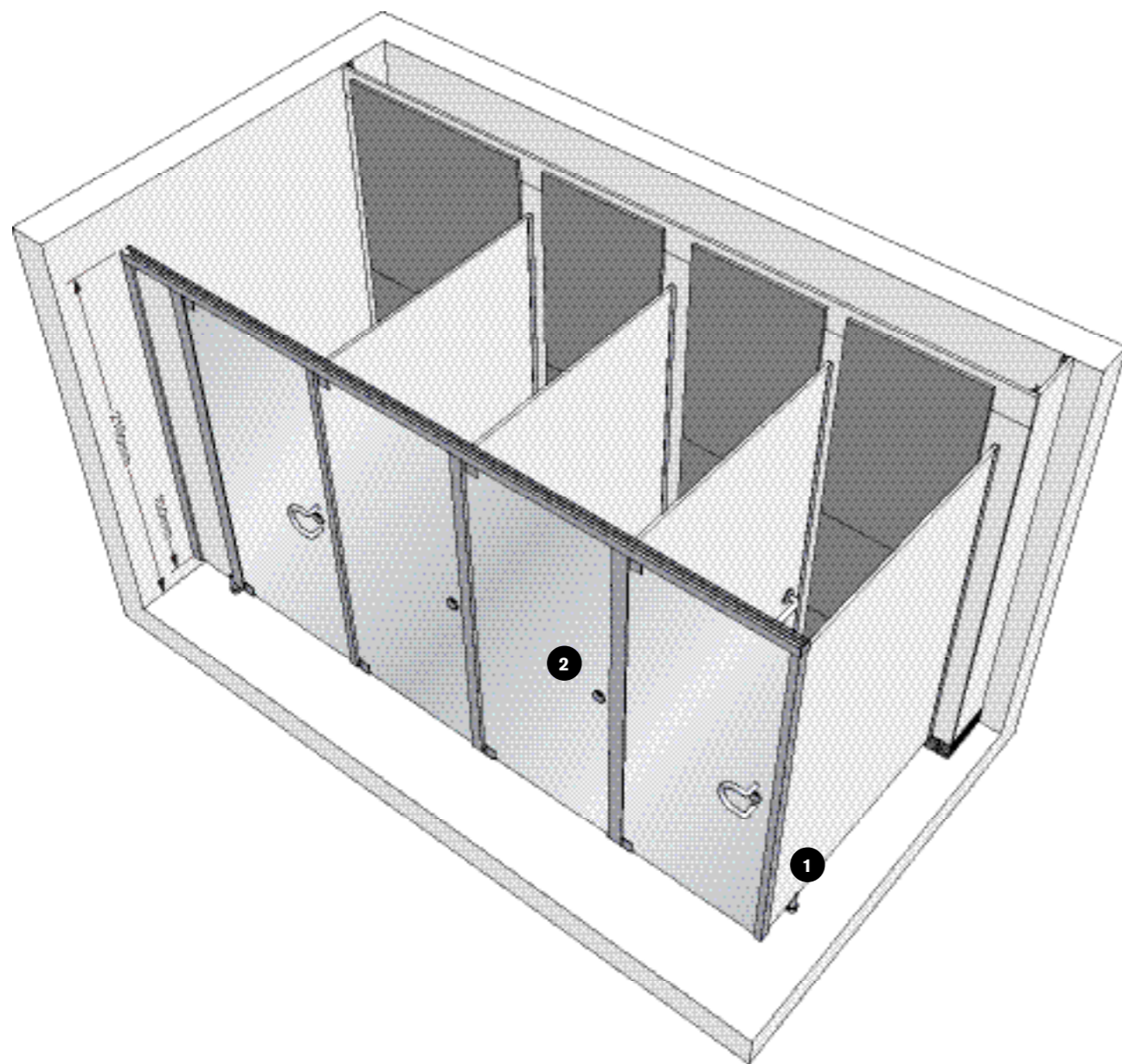
#### Pedestal

Adjustable stainless steel pedestal with brushed finish.

### Accessories

Coat hooks and toilet roll holders available.

# Technical Specifying Oxygen Glass



1 Pedestal



2 Indicator bolt



## Dimensions

### Glass

**Overall height**  
2150mm

**Floor clearance**  
100mm

**Maximum depth**  
2000mm

## Performance

Available with 3 partition options, Oxygen Glass is suitable for even the most prestigious environments allowing you to specify with confidence.

### Glass doors

Manufactured from 8mm screen printed toughened safety glass available in opaque black or white.

### Veneer partitions

Partitions are 18mm overall nominal thickness MDF core, faced with real wood veneer. All edges are lipped with matching hardwood lipping.

### HPL partitions

18mm nominal thickness moisture-resistant chipboard faced with high pressure laminate and edged with PVC.

### MFC partitions

18mm nominal thickness melamine faced moisture-resistant chipboard laminate and edged with PVC.

## Detailing

### Partition and doors

Doors available in Glass. Partitions available in Veneer, HPL and MFC.

### Colour finish

#### Doors

Black or White glass.

#### Veneer partitions

Unlimited veneer options (varying price points).

#### HPL and MFC partitions

36 colours.

#### Cubicle hardware

Stainless steel.

### Edge treatment

#### Glass doors

Edges polished flat and arised.

#### HPL and MFC partitions

1mm matching PVC lipping.

#### Veneer partitions

Matching hardwood lipping.

### Pilasters

Extruded aluminium sections in ultra-matt satin anodised finish.

### Headrail

Extruded aluminium headrail in ultra-matt satin anodised finish.

### Cubicle hardware

#### Hinge

Hinge/pivot system to top and bottom of door manufactured in zinc satin chrome.

#### Wall fixing

Partitions fixed to walls using extruded aluminium channel in ultra-matt satin anodised finish to match pilasters.

#### Indicator bolt

Indicator bolt with emergency release facility and keep, all with concealed fixings.

#### Pedestal

Adjustable stainless steel pedestal with brushed finish.

### Accessories

Coat hooks and toilet roll holders available.

**We know specialist ranges.** Whether it's a vandalism prone environment, or one with rigorous health and safety considerations, we can guide you through our range of innovative, fit for purpose solutions.

**Specialist**

**We know education.**

For over 50-years, we've been the washroom specialist of choice for countless schools and colleges. We know that performance, practicality and cost-effectiveness are your key considerations. They're ours too.

education

# We know education.

From nurseries to universities and children's play areas, we're committed to raising the standard of our children's washrooms.

## Safety

Children have a right to be safe at all times. With this in mind, we've introduced a number of important features into our designs. Low level and shaped door options allow adult supervision, where it's needed, while our clever safety hinges mean an end to trapped fingers. We also include door lock options for emergency release, giving you extra peace of mind.

## Privacy

Safety may be one of our top priorities, but we also believe that children have a right to privacy. That's why we give you the option of full height cubicle partitions for secondary and further education, our solutions also include urinal privacy screens.

## Colours

Children love colour and bold designs. So, we've created the widest and brightest palette featuring 36 fresh and vibrant colours, ensuring you can create a washroom that children will enjoy using. And we've not stopped at colour; our screen prints add extra vibrancy, making them a popular choice from nurseries to universities.

## Hygiene

A hard-working washroom should also be one that's easy to maintain. That's why our solutions include features that make cleaning really easy. These include our washtrough with individual drainer and minimal joints. Also, the solid grade laminate we use is totally impervious to water, which means it can withstand intensive cleaning.

## Anti-vandal

At Venesta, we work hard to ensure our stylish and robust designs encourage respect and discourage vandalism. So, our solutions for secondary and further education washrooms feature anti-vandal structures and durable metal fittings.



**01 Playful colour**  
Our screen prints add extra vibrancy, making them a popular choice

**02 Total Privacy**  
Full height designs with low floor clearance for privacy

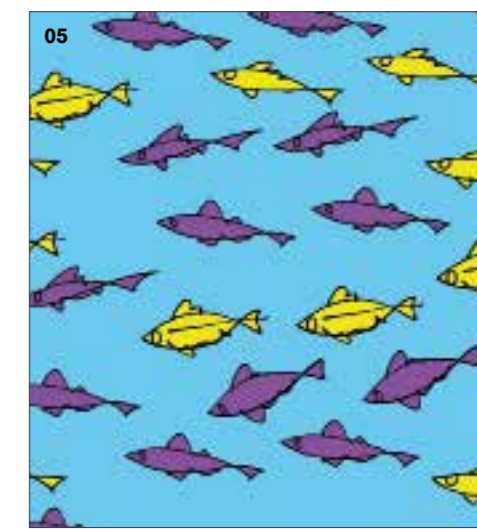
**03 Easy cleaning**  
The solid grade laminate we use is totally impervious to water

**04 Right to feel safe**  
Low level and shaped door options allow adult supervision

# Education 2-11 years

Stimulation, stimulation, stimulation. Our design team has gone to town to create spaces that challenge and delight young minds. Lollipop, Surf and Genesis cubicle ranges are perfect combinations of fun, safety and hygiene. Our colourful screen print designs, available in HPL only, are perfect for schools, crèches and children's play areas.

See our Education brochure for more details



- 01 Genesis cubicles and vanity in Jive, Teal, Wisteria and Jamboree
- 02 Lollipop in Jamboree and Colours screen print
- 03 Colours screen print
- 04 Monsters screen print
- 05 Fish screen print
- 06 Cars screen print
- 07 Circles screen print

**Main image**  
Surf in Jive with Monsters screen print, vanity in Jive and Teal

Specialist ranges

## Case study Belleville Primary School

Before this project went ahead we stipulated that our suppliers needed, not only to provide highly thought out, stylish systems but also to be hot on the quality of their service too. I'm delighted to say, we got both from Venesta.

Mr Grove, Head, Belleville Primary School

Judged 'outstanding' by Ofsted in 2007, Belleville School in Battersea, looks after 730 pupils, aged between 4 and 11. Housed in a classic Victorian building, the school is committed to providing a warm and friendly environment for children to learn and spends a lot of time and effort ensuring its pupils feel safe, secure and stimulated.

Charged with an extensive refurbishment to the whole school, chartered surveyors, Wilby and Burnett briefed Venesta to provide a cubicle range that would answer the school's need for a fun, safe and hygienic environment. Genesis was selected for its design and variety of height options making it the natural choice. School head, Mr Grove, was particularly impressed by Venesta's online design studio which allowed him to visualise different colour mixes before making his selection.

A key consideration on this project was timing. Installed by Associated Installations, the refurbishment was planned for the school holidays, meaning it had to be gutted and refitted in just six weeks.

Thankfully, the highly efficient Venesta team was able to rise to the challenge and delivered the cubicles on time and ready to install.



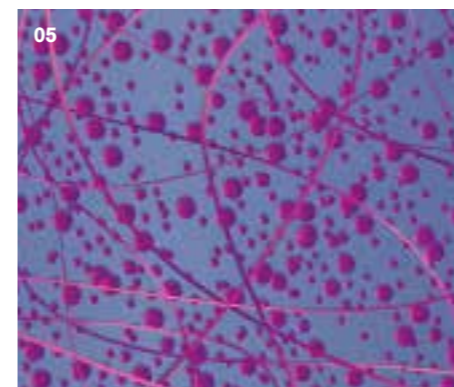


# Education 11+ years

Cleanliness, ease of maintenance, privacy, vandal resistance. With tough demands like these, you'll be glad to know we build these things into our designs as a matter of course. The results speak for themselves.



See our Education brochure for more details



Specialist ranges

**Main image**  
Quantum,  
see p28-37

**01** Centurion full height, see p66-73

**04** Abstract screen print

**02** Award, see p38-43

**05** Fizz screen print

**03** Pop Art screen print

**06** Titan, see p22-27

## We know healthcare.

Working in partnership with Armitage Shanks and Ideal Standard, we've been supplying the healthcare sector with our IPS pre-plumbed sanitaryware for over 45-years. From small refurbishments to new builds, we guarantee a first class result.





#### Key features

- Fully compliant with regulatory requirements
- Metal-framed, pre-plumbed system
- Factory-fitted and tested sanitaryware
- Extruded aluminium framework
- Industry leading design with proven track record
- Space saving panel unit does not protrude into the room
- Avoids need for interface at floor and ceiling junctions
- Maintains up to 44Rw dB sound installation of standard partition wall
- Most cost-effective solution
- Not suitable for use within fire rated walls or within acoustic rated walls exceeding 44Rw dB
- Hinged and lockable top access panels, up to 700mm width



#### Key features

- Recessed units key features (see p130) all apply to Boxed-out units
- Solid grade laminate panels rebated into an extruded aluminium frame to provide a flush, easy to clean surface to box frame
- Variable box depth to accommodate service requirements
- Maintains integrity of rear fire and acoustic rated walls
- Avoids the need to co-ordinate aperture sizes and positions with partitioning contractor
- Factory-assembled boxed-frame can be installed first to allow floors and ceiling to be finished
- Pre-plumbed panel installed at later stage to avoid construction damage
- Offers speedy and simple installation
- Hinged and lockable top access panels, up to 700mm width
- Box frame available in Smoke, Iceberg and Graphite

## Healthcare

In healthcare, compliance is key. Rest assured, our IPS Healthcare system meets the industry's requirement for fully compliant, tested and proven solutions. Not only that, we've the knowledge and the expertise to guide you through every stage of the specification process.



**01** IPS Healthcare Boxed-out Unit in Gala and Iceberg with Contour 21 500 washbasin and Markwik sequential mixer tap

**02** Markwik electronic thermostatic mixer tap with proximity sensor

#### Main image

IPS Healthcare Recessed Unit in Teal with Contour 21 500 washbasin

## Case study The Royal London Hospital

Venesta's product is both quick and easy to install, this, combined with an experienced CAD and manufacturing team makes them the ideal choice when procuring a washroom package of this size and complexity.

Marcus Lynes, Shire Integrated Systems Ltd  
(installers for Skanska)

Part of Barts and The London Hospital Foundation Trust, one of Britain's leading healthcare providers, The Royal London Hospital at Whitechapel and St Barts Hospital at St Paul's both have a reputation for making outstanding contributions to modern medicine.

During an extensive new building scheme Venesta was chosen to supply new washroom and shower solutions throughout the two hospitals. These were both huge projects and a challenge that we relished.

To ensure smooth running, we provided a full-time project manager who was responsible for the surveying, scheduling and production drawing of every unit supplied. The client chose IPS and Quantum SGL cubicles. The latter's solid grade laminate panels are extremely resistant to impact and impervious to water, making it an ideal solution for healthcare environments. IPS's compliance with HTM64 also ensures the very highest levels of hygiene and infection control.

The quality of our service was crucial to the success of this project. We offered a short lead time on all products, ensuring our client had total piece of mind, knowing that deadlines could always be met, even when unforeseen problems arose onsite.

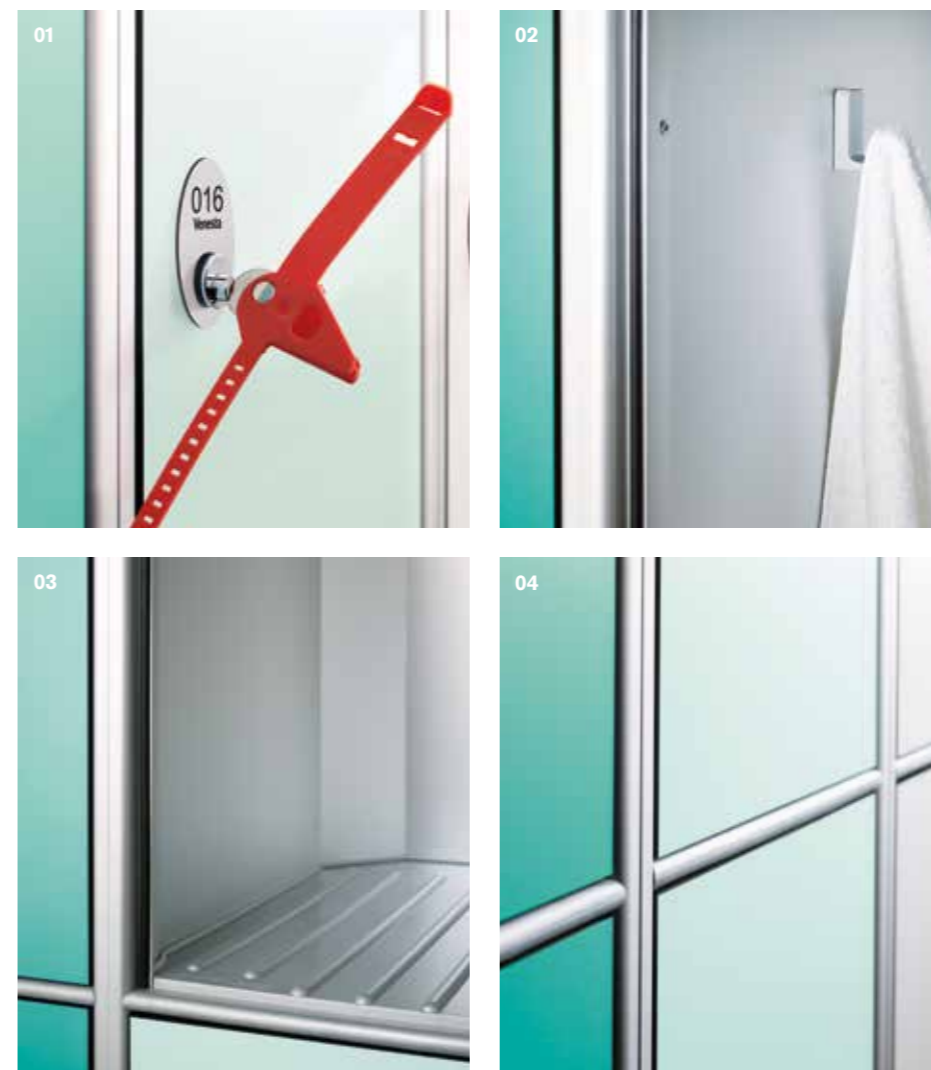


**We know sports and leisure centres. We're passionate about raising the bar for sports and leisure centre washrooms. Your need for practicality, in both wet and dry environments, has prompted us to create a versatile range of safe, durable and innovative solutions, whatever your budget.**

Leisure

# Lockers and benches

For over 25-years, we've been designing and manufacturing benches and lockers for leisure centres and education environments. So, whatever environment you're working in, you can rely on our stylish and flexible, tried and tested locker and bench solutions to seamlessly fit and perfectly enhance your space.



**Main image**  
Active lockers, model 3, in Iceberg, Eucalyptus and Spearmint and perimeter benches

- 01** Coin return lock with wristband
- 02** Internal coat hook
- 03** Injection moulded locker base
- 04** Locker door frame detail
- 05** Cam lock
- 06** Coin return lock
- 07** Electronic lock
- 08** Coin retain lock
- 09** Hasp lock

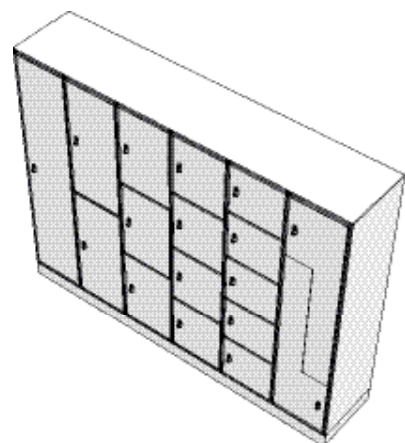
See p136-137 for lockers and benches technical specifications



# Technical Specifying lockers and benches

## Lockers

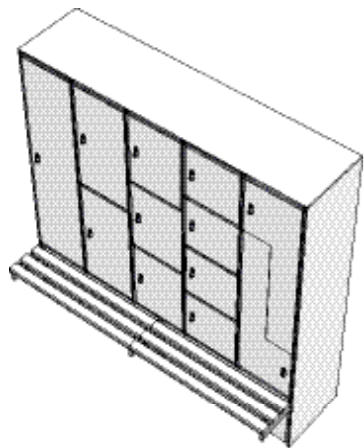
### Active locker



**Opening sizes**

- Model 1** 1740 x 280mm
- Model 2** 855 x 280mm
- Model 3** 560 x 280mm
- Model 4** 410 x 280mm
- Model 5** 325 x 280mm
- Model Z** 1310 x 380mm

### Bench locker



**Opening sizes**

- Model 1** 1400 x 280mm
- Model 2** 693 x 280mm
- Model 3** 456 x 280mm
- Model 4** 337 x 280mm
- Model Z** 1055 x 380mm

**Overall height**  
 Active lockers 1800mm  
 Bench lockers 1460mm from bench level

**Widths**  
 310mm (not applicable to Model Z)  
 410mm

**Depth**  
 505mm  
 780mm (including bench)

**Colour finish**  
 36 colours.

**Locks**

- Coin retain.
- Coin return.
- Cylinder/cam lock.
- Electronic.

**Accessories**

- Laser cut numbers for locker doors.
- Corresponding wristband in red or blue.

**Performance**

Aluminium carcass only.  
 Solid grade laminate (SGL) doors only.

**Active lockers key features**

- Robust and hardwearing.
- Injection moulded tray.
- Satin anodised aluminium carcass.
- Integrated hinge design.
- Available in 310 or 410mm locker widths.
- 13mm solid grade doors.
- Choice of locking mechanisms.
- Suitable for wet and dry environments.
- Practical in design and functionality.
- High impact resistant.

**Active doors**

13mm thick solid grade laminate that offers a high impact resistance and is impervious to water.

**Hinge**

Strong integral sprung aluminium extruded hinge which returns the door to the closed position.

**Body**

Silver satin anodised aluminium extruded frame, together with 1mm thick matching aluminium carcass provides a sturdy body assembly.

**Dividers**

Hygienic, easy to clean, light grey injection moulded horizontal trays.

**Ventilation**

3mm space between the doors and the frame allows air to circulate through the locker.

**Stands**

Venesta recommends that the lockers be installed on a raised, concrete base in wet areas. Please contact our sales team for details.

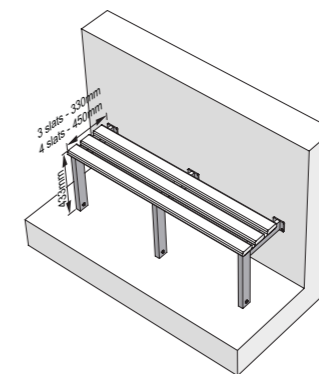
Alternatively, the lockers can be mounted on a powder coated cantilevered bench.

## Benches

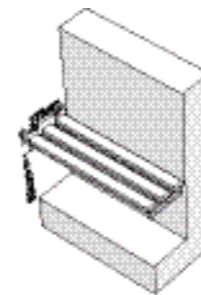
Our benches have been designed to provide strength, safety and flexibility. They feature solid beechwood slats, available in five styles each with complementary framework in a Light Grey nylon coated galvanised steel.

These bench systems are ideal for any of our washroom or cubicle systems, in both wet and dry environments.

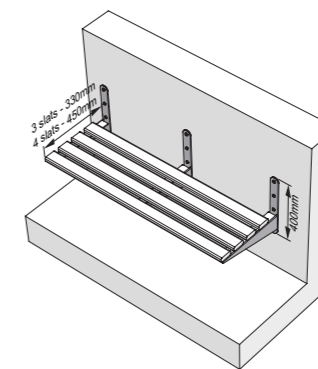
### Perimeter



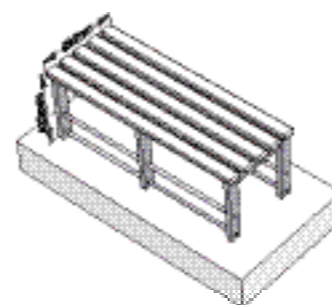
### Cubicle bench



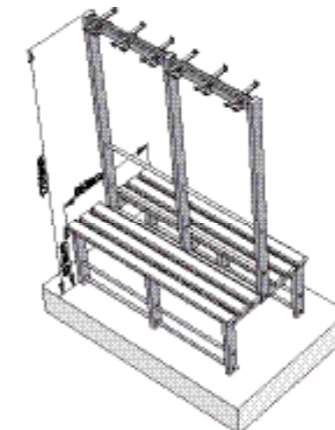
### Perimeter cantilever



### Free-standing



### Island



**Benching key features**

- Designed for strength, flexibility and safety.
- Double corrosion protected, powder coated frame.
- Hardwearing solid beechwood slats.
- Available in five styles, each with complementary framework.
- Suitable for wet and dry environments.
- Designed for high level use.

**Profiles**

- Perimeter.
- Perimeter cantilever.
- Cubicle benching.
- Island with integral coat hooks.
- Free-standing.
- Locker benching.

**Dimensions**

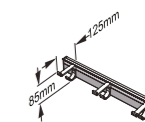
Standard bench height 435mm.

**Performance**

Solid beechwood slats only.  
 Nylon coated galvanised steel – Light Grey only.

**Wall mounted coat hooks**

Light Grey aluminium only.  
 Quantity and position to suit customers' individual requirements.



**Cubicle Express** Designed to meet your demands for the quickest and simplest washroom installation, this off-the-shelf solution is supplied to you within 48-hours. Supplied in oversized formats for onsite flexibility, this really is the hassle-free washroom solution.



# Cubicle Express



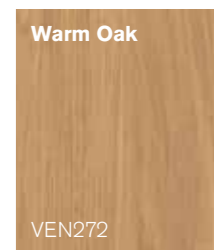
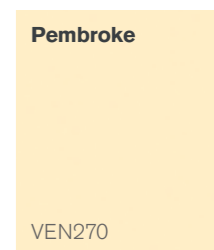
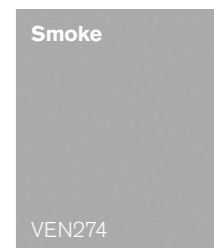
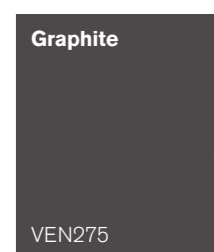
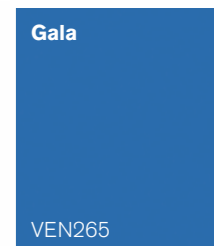
## The quickest and simplest installation is ready and waiting.

Promising you the winning combination of best value and uncompromising design quality, the Cubicle Express range includes cubicles, duct panels and vanities. All suitable for dry environments, the range features enlarged and ambulant cubicles with all the components and fixing instructions you need for a speedy build.

Available in oversized formats for onsite flexibility, Cubicle Express has a range of innovative features including channels that replace cleats and a new universal hinge. You can choose from a selection of colours and shaped, low height doors, and have the option of our post-formed pilaster.



The fittings are available in ABS Graphite



Specialist ranges

- Key features**
- 48 hour delivery
  - Flexibility – standard component sizes easily cut to suit site requirements
  - Suitable for dry areas
  - 6 popular colour choices
  - Graphite robust fittings

**01** Cubicle Express children's doors in Gala, with Graphite pilasters and partitions

**02** UPVC wall channel and H-section

See p142-145 for Cubicle Express technical specifications

**Main image**  
Cubicle Express cubicles, duct panels and vanity in Warm Oak and Graphite

# Technical Specifying Cubicle Express

## Dimensions

- Overall height**  
1950mm
- Floor clearance**  
150mm
- Maximum depth**  
1800mm

## Performance

Available in MFC, Cubicle Express is suitable for dry environments allowing you to specify with confidence.

### MFC

For dry environments with low risk of vandalism. Panels are manufactured from 18mm nominal thickness high performance moisture-resistant melamine faced chipboard. Edges lipped with PVC.

## Detailing

### Panels and doors

18mm nominal thickness melamine faced chipboard (MFC).

Post-formed pilaster option: 18mm nominal overall thickness high pressure laminate (HPL) faced chipboard.

### Vanities

18mm nominal thickness high pressure laminate (HPL) faced chipboard with 100mm front downstand and 75mm rear upstand.

### Flashgaps

18mm nominal thickness melamine faced chipboard (MFC) in a choice of 6 colours.

### Colour finish

**Panels, doors and vanities**  
6 colours.

**Cubicle hardware**  
ABS Graphite

### Edge treatment

Matching 1mm PVC lipping.

### Headrail

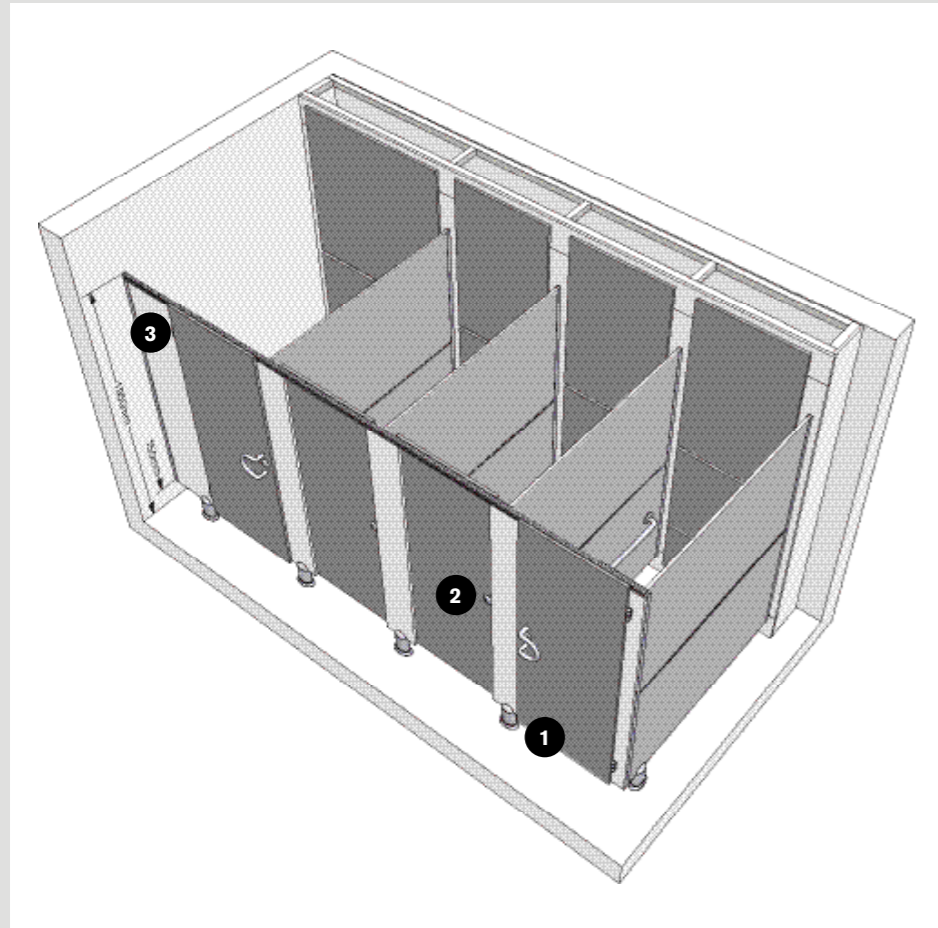
Graphite U-section aluminium.

### Pedestal

ABS Graphite.

### Accessories

Accessories are in pack C1F. See C1F p144.



## Duct panel packs

### Duct panels

All framework by others. The installer needs to provide an appropriate timber-frame. (Typically ex 50 x 50mm treated softwood.)

#### P1 Washbasin and WC panel pack

- 1 bottom panel 405 x 700mm
- 1 middle panel 670 x 700mm
- 1 top panel 1125 x 700mm
- 1 1mm PVC re-edging strip 2500mm
- 16 plastic clips and screws

#### P2 Urinal panel pack

- 1 bottom panel 225 x 700mm
- 1 middle panel 850 x 700mm
- 1 top panel 1125 x 700mm
- 1 1mm PVC re-edging strip 2500mm
- 16 plastic clips and screws

#### P3 Plain panel pack

- 1 plain panel 2250 x 700mm
- 1 1mm PVC re-edging strip 2500mm
- 10 plastic clips and screws

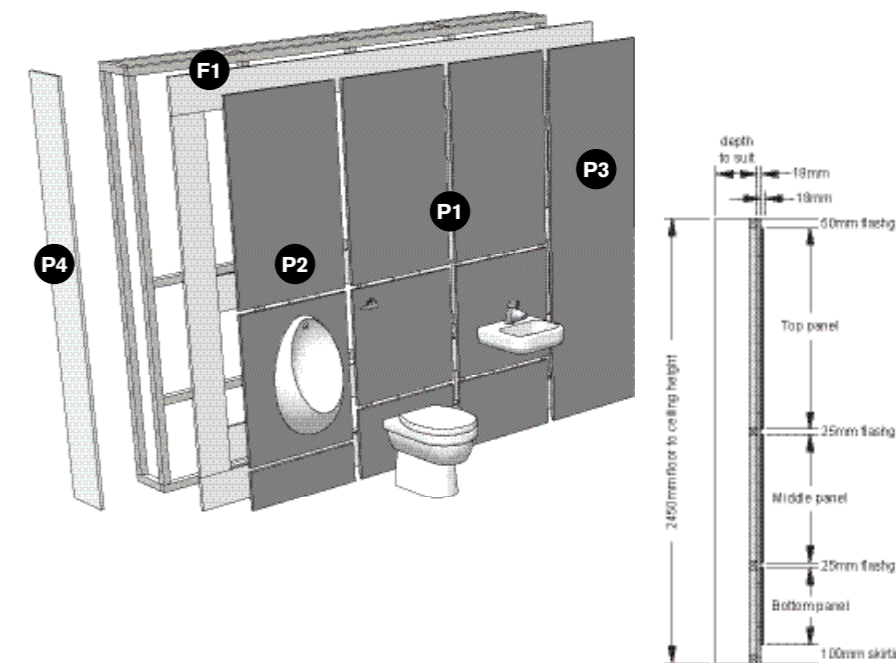
#### P4 Plain panel pack

- 1 plain 2250 x 300mm
- 1 1mm PVC re-edging strip 2500mm
- 10 plastic clips and screws

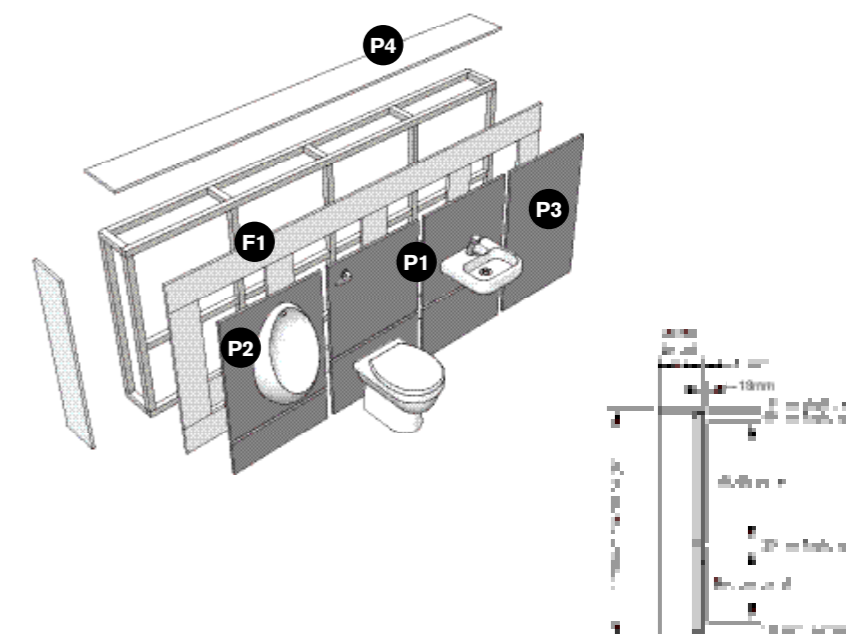
#### F1 Flashgap pack

- 2 flashgaps – unedged 2600 x 200mm
- 1 flashgap – edged 2600 x 201mm
- 16 shrinkage plates and screws

### Duct panels – standard height



### Duct panels – shelf height



# Technical Specifying Cubicle Express

## Cubicle packs

### Cubicles

Wall channels accommodate out of line walls.

Door and wall channels allow for cutting without the need to re-edge.

Adjustments can be made to cubicles by reducing doors and partitions and fitting into full length door channels or wall channels as appropriate.

#### Please note:

Floor to ceiling post will be required when ordering free-standing cubicles.

#### C1 Door pack

Outward opening/inward opening wheelchair, ambulant and enlarged.

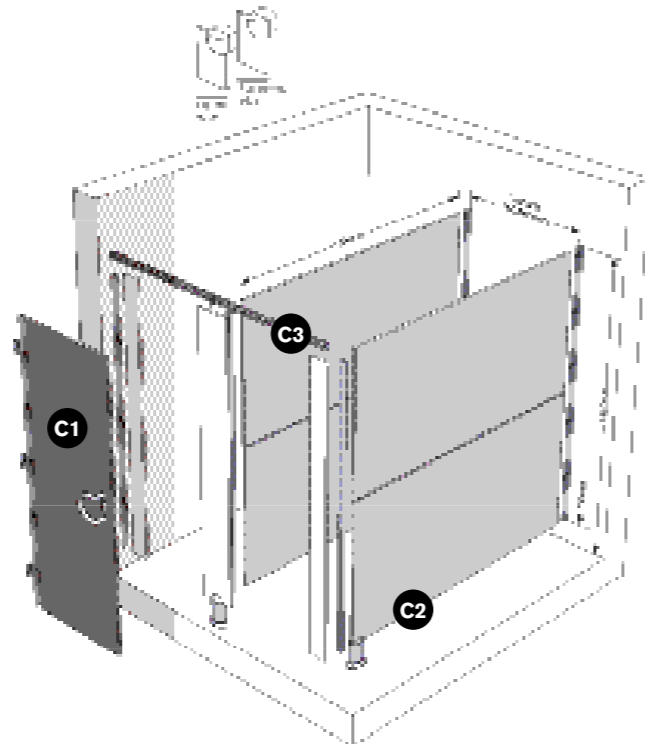
- 1 door 1800 x 900mm
- 1 square edge pilaster 1800 x 220mm
- 1 square edge pilaster hinged 1800 x 115mm
- 1 square edge pilaster no hinge 1800 x 115mm
- 1 square edge pilaster for enlarged cubicle drilled for hinge 1800 x 400mm
- 3 UPVC door cap/wall channels 1800mm
- 1 aluminium headrail – Graphite 1800mm

(Door pack also available with post-formed pilasters – C1P)

#### C1F Fittings pack

- 1 indicator bolt
- 1 outward keep
- 3 hinges
- 1 toilet roll holder
- 1 coat hook
- 2 pedestals
- 2 buffers
- Screws, plugs and channel through fixings

### Cubicles



#### C2 Partition pack

- 2 partition 'halves' 900 x 1800mm
- 1 UPVC H-section
- 1 UPVC door cap/wall channel 1800mm

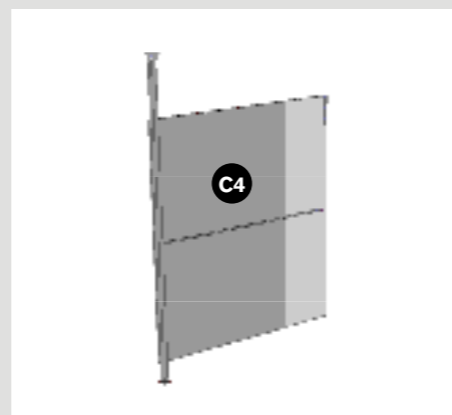
#### C3 Inline pack

- 1 large pilaster 1800 x 900mm
- 1 square edge pilaster drilled hinge 1800 x 550mm
- 1 aluminium headrail – Graphite 1800mm

(Inline pack also available with post-formed pilasters – C3P)

#### C4 Floor to ceiling post

- 1 floor to ceiling post 3750mm
- 2 flanges
- Screws, plugs and channel through bolt fixings



#### GR1 Ambulant/enlarged grab rail pack

- 3 grab rails, White powder coated 600mm
- 2 door opening handles Dark Grey powder coated
- 1 fixing pack complete

## Children's door and vanity unit pack

### Children's doors

#### C1C Children's door pack

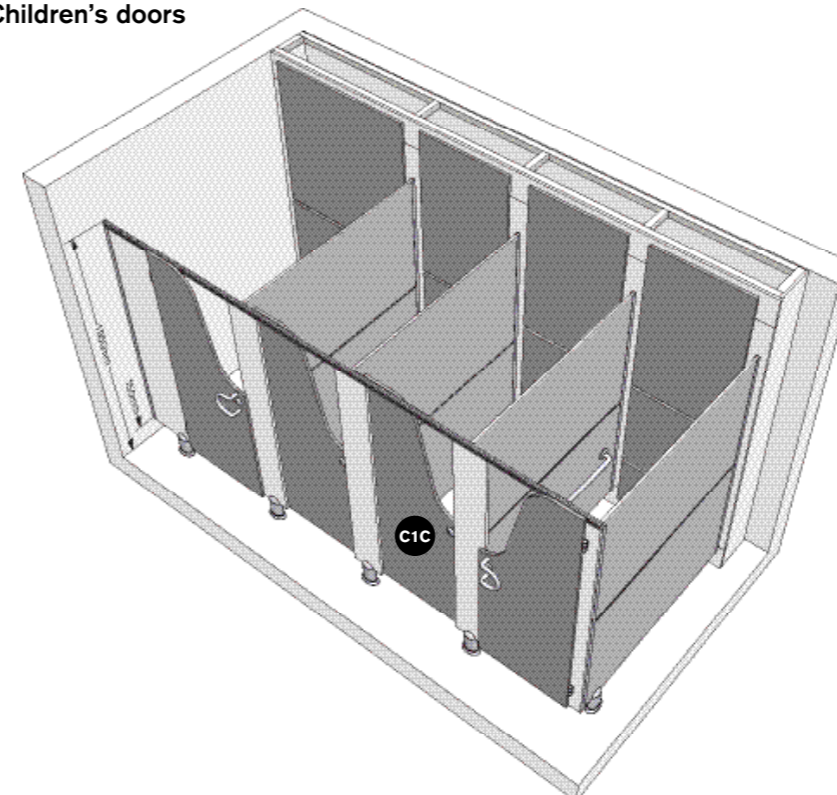
- 1 door 1800 x 900mm
- 1 square edge pilaster 1800 x 220mm
- 1 square edge pilaster hinged 1800 x 115mm
- 1 square edge pilaster no hinge 1800 x 115mm
- 1 square edge pilaster for enlarged cubicle drilled for hinge 1800 x 400mm
- 3 UPVC door cap/wall channels 1800mm
- 1 aluminium headrail – Graphite 1800mm

(Children's door pack also available with post-formed pilasters – C1CP)

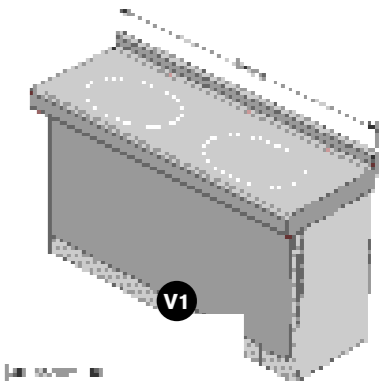
### Children's doors



### Children's doors



### Vanities



### Vanities

All framework by others. The installer needs to provide an appropriate timber-frame to support vanity units (typically ex 50 x 50mm treated softwood).

Longer vanities can be achieved by joining two lengths.

The return end panel for vanity units will be supplied oversized to enable the installer to make onsite adjustments.

#### V1 Vanity unit pack

- 1500 x 555mm top post-formed into a 100mm downstand and a 75mm high upstand blocked both ends
- 1 1400 x 645mm under panel
- Clips and screws
- 3 unedged flashgaps 1300 x 200mm
- Fixing brackets and screws
- 2 loose return ends

**We know panelling.**  
At Venesta, we're renowned for our innovations in panelling. Whatever type of panelling you need, from our pioneering IPS to our cost-effective Rapiduct system, we've a fit for purpose solution to suit your needs.

# Panelling

**You're assured of the right solution. We know that every design scheme is different, so we've created three different solutions, each one carefully designed and manufactured with you in mind. Whether you need a made to measure, ready to install integrated system, or a basic, excellent value alternative, you can find it here.**

## IPS

### Pre-plumbed

Inspired by your need for a speedy, one-stop-shop solution, we created the UK's first made to measure pre-plumbed system. IPS is a metal-framed, factory-made system that comes complete with fitted sanitaryware. Designed to suit all commercial sectors, what makes IPS unique is its click-fix mechanism and in-built flexibility, which means you can install it quickly and efficiently. Plus, it comes complete with a factory-tested guarantee of quality.



## Frameduct

### Non-plumbed

If you're looking for a sturdy, metal-framed panelling system but want the choice of specifying your own sanitaryware, then Frameduct is the ideal solution. It's made to measure and features a click-fix mechanism so it's quick and easy to install. Frameduct can be specified with any Venesta cubicle or vanity system.



## Rapiduct

### Timber-framed

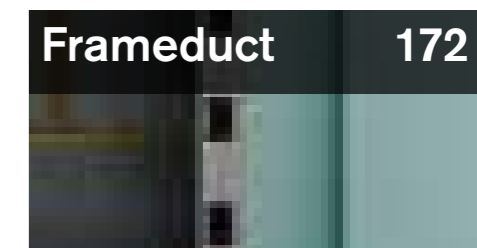
Simple, functional and highly cost-effective, this panelling system is flexible enough to suit any cubicle range. Unlike the other panelling options, Rapiduct is constructed onto a timber-frame, not supplied by Venesta, and is designed for your own build and installation. You can specify Rapiduct with any Venesta cubicle or vanity system.



**Your checklist to make specifying easy.**  
 From education to retail, healthcare to industrial, Venesta has a proven track record of supplying high quality panelling systems for the most demanding environments.



Benefits	IPS	Frameduct	Rapiduct
To help you choose the right system for you, we've put together this at-a-glance benefits checklist.			
Factory fitted Armitage Shanks	▪		
Choice of pre-plumbed WC suites, urinals, basins and vanity units	▪		
Fully tested sanitaryware	▪		
Speedy installation	▪	▪	▪
Factory assembled, guaranteeing a quality product and finish	▪	▪	
Unique click-fix metal frame	▪	▪	
Metal framework, impervious to water	▪	▪	
Product longevity	▪	▪	▪
Existing sanitaryware can be used		▪	▪
Alternative sanitaryware options can be sourced		▪	▪
Lockable duct panel option	▪	▪	▪
Conceals plumbing and services (wastes and traps)	▪	▪	▪
Provides easy access for maintenance	▪	▪	▪
Robust panel fixings	▪	▪	▪
Choice of board types and edge details providing an offering to suit any application	▪	▪	▪
Universal – it complements any cubicle range	▪	▪	▪
10-year product guarantee	▪	▪	▪



**A solution tailored to your needs**  
**IPS**  
 The choice for efficient and easy installation, IPS is the ultimate made to measure metal, pre-plumbed system, perfect for whatever sector you're working in.

**Frameduct**  
 Our made to measure, ready to install metal, non-plumbed system has all the leading edge features you need, but gives you the flexibility to choose your own sanitaryware.

**Rapiduct**  
 The best quality, low-cost choice, Rapiduct offers you a well-crafted, functional system and the flexibility to choose your own sanitaryware.

**IPS** gives you a ground-breaking pre-plumbed system that ticks all the boxes. It's simple, it's flexible, and it's compatible with all products. Plus, it's adaptable enough to work across any sector.



You need simplicity.  
 IPS was the first integrated  
 plumbing system with a click-fix  
 assembly into an aluminium frame.  
 And that means installation is  
 efficient and cost-effective. Perfect.

## Simplicity.



### Key features

- Metal-framed, pre-plumbed system
- Factory fitted sanitaryware
- Unique cold rolled ultra-steel framework
- Industry leading design with proven track record
- Unique click-fix mechanism
- Complete onsite flexibility
- Provides a cost-effective, quick installation
- Reduces the need for onsite specialist skills
- Suitable for wet and dry environments
- Bespoke system ready to install
- Suitable for all board types
- Increased product longevity



### Main image

Oxygen HPL cubicles in Wenge, IPS panels in New England with Jasper Morrison panel mounted WC and Sensorflow flush, IPS panels in Wenge with Jasper Morrison basins with Jasper Morrison single lever mixer tap, IPS panels in New England with Jasper Morrison urinals



Choice.



You need a wide choice of high quality products. From cutting-edge, designer sanitaryware to simple, budget options, our partnership with Armitage Shanks and Ideal Standard gives you the flexibility to choose industry leading products to complement your washroom.



01



02

01 IPS panels in Graphite with Concept Sphere basin and Silver monoblock mixer tap

02 IPS panels in Graphite with White floor mounted WCs and pneumatic flush

03 Shelf height IPS panel in Jive with White panel mounted basins with concealed waste and trap with Sensorflow tap



03

**Main image**

IPS panels in Wenge with Jasper Morrison basins and Jasper Morrison single lever mixer taps, IPS panels in New England with Jasper Morrison urinals

# IPS Sanitaryware



**Jasper Morrison back to wall WC\***  
E622101



**Contour 21 back to wall WC**  
S305601 41cm height  
S305701 46cm height



**New Studio back to wall WC**  
E8016 horizontal outlet



**Contour 21 46cm height back to wall WC**  
S311501 70cm projection  
S311601 75cm projection



**Contour 21 schools back to wall WC**  
S304601 305mm height  
S304701 355mm height



**Jasper Morrison urinal \***  
E621501



**Concept back to wall WC**  
E791601



**Sandringham 21 back to wall WC**  
E897401



**Jasper Morrison wall hung WC\***  
E621701



**Contour hy urinal**  
S611901 67cm height



**Contour urinal**  
S611001 66cm height



**Sandringham urinal**  
S610301



**Contour 21 wall hung WC**  
S307601



**Concept wall hung WC**  
E785001



**Sandringham wall hung WC**  
V391001

\*Could incur extended lead times, please contact our friendly sales team for further information

# IPS Sanitaryware



**Jasper Morrison 50cm vessel basin\***  
E621001 no tap hole



**Concept 43cm vessel basin**  
E803901 one taphole



**Stainless steel fully inset basin\***  
9S30047PO no tap hole



**Concept 45cm semi-recessed basin**  
E797901 1 tap hole



**Profile 21 50cm semi-recessed basin**  
S249201 1 tap hole  
S249401 2 tap holes



**Sandringham 21 50cm semi-recessed basin**  
E895801 1 tap hole  
E895901 2 tap holes



**White Integrated Solid Surface basin\***  
OV10000 no tap hole



**Marlow 56cm undermount basin\***  
S256001 no taphole



**Cherwell 21 undermount basin**  
S268801 48 cm  
S268701 38 cm



**Jasper Morrison 50cm panel mounted basin\***  
E618301 1 tap hole



**Portman 21 50cm panel mounted basin**  
S230801 left tap hole  
S225401 right tap hole



**Portman 21 40cm panel mounted basin**  
S215901 left tap hole  
S231401 right tap hole



**Orbit 21cm fully inset basin**  
S248601 1 tap hole  
S248801 2 tap holes



**Sandringham 21 50cm fully inset basin**  
E895201 1 tap hole  
E895401 2 tap hole



**Jasper Morrison 55cm semi-recessed basin\***  
E620601 1 tap hole



**Concept Sphere 50cm semi-pedestal basin**  
E789201  
E783901 semi pedestal



**Contour 21 50cm panel mounted basin**  
S215401 no tap hole



**Contour 21 37cm panel mounted basin**  
S212201 centre tap hole

\*Could incur extended lead times, please contact our friendly sales team for further information

# IPS Brassware



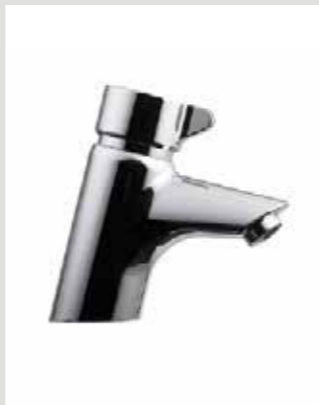
**Sensorflow 21 compact deck mounted**  
A4852AA mains  
A4853AA link



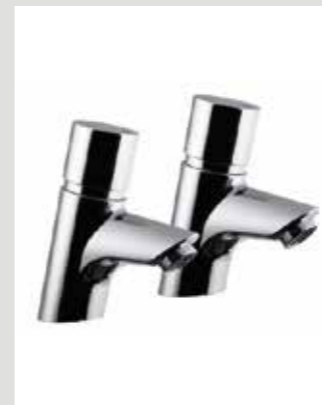
**Sensorflow 21 basin mounted electronic spout**  
A4171AA mains  
A4172AA link



**Contour lever thermo**  
A4131AA flex tails  
A4169AA copper tails



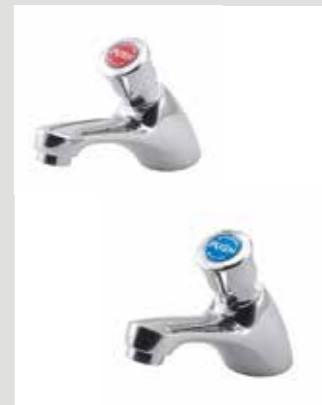
**Avon basin mixer**  
B8263AA



**Avon 21 pillar taps**  
B8267AA pair



**Nuastyle 21 pillar taps**  
B8262AA pair



**Sandringham pillar taps**  
S7029AA pair



**Sandringham 21 lever pillar taps**  
B9881AA pair



**Silver single lever vessel basin mixer\***  
E0069AA



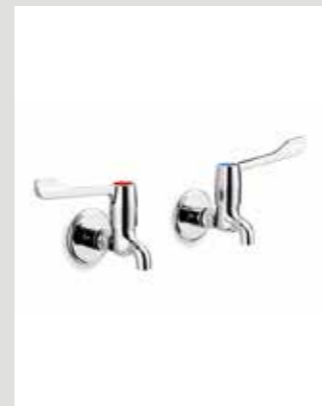
**Silver single lever basin mixer\***  
E0067AA with pop-up waste  
E0068AA without pop-up waste



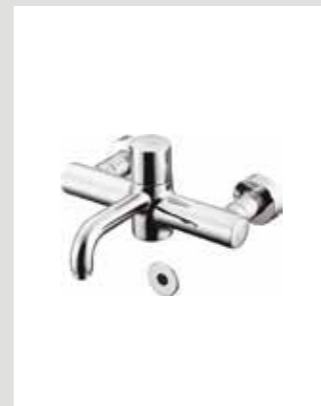
**Silver dual control basin mixer\***  
E0065AA with pop-up waste  
E0066AA without pop-up waste



**Silver dual control wall mounted basin mixer\***  
E0063AA 150mm spout  
E0064AA 230mm spout



**Markwik lever bib**  
S8270AA



**Markwik 21 wall mounted thermo mixer and sensor**  
A6061AA / S8239NU sterilizing kit for hospital mixer



**Markwik 21 wall mounted solo spout**  
A6062AA / S8239NU sterilizing kit for hospital mixer



**Markwik 21 wall mounted thermo mixer**  
A6060AA / S8239NU sterilizing kit for hospital mixer



**Jasper Morrison single lever basin mixer\***  
E6396AA with pop-up waste  
E6397AA without pop-up waste



**Sandringham monoblock mixer**  
B4447AA



**Avon bib wall mounted tap**  
S7241AA



**Silver 3 tap hole basin mixer\***  
E0062AA without pop-up waste

\*Could incur extended lead times, please contact our friendly sales team for further information

# IPS Fittings



**Sensorflow WC flush**  
S358967 6 litre flush  
S359967 4.5 litre flush



**Sensorflow urinal flush**  
A4854AA mains  
A4855AA link



**Armitage Shanks unbranded dual flush plate**  
S4399AA chrome plated



**Pneumatic panel mounted palm push button**  
S4513MY stainless steel



**Pneumatic panel mounted finger push button**  
S4512MY stainless steel



**Chrome plated lever**  
C03SN20CP



**Shower in a box**  
S6933MY



**Sensorflow 21 shower control**  
A4185AA mains  
A4186AA link



**Contour 21 push button shower valve**  
B8266AA chrome plated



**100mm rainshower head with angled arm**  
B9436AA



**Anti vandal fixed shower head**  
A5452AA



**15mm thermostatic mixing valve**  
A5900AA



**Doc M Contour 21 back to wall pack with lever operated cistern, grab rails, seat and hinged arm support with toilet roll holder**  
S6968

Speed.

**You need speedy installation.**  
Our design team created IPS to ensure that's what you get. There are four easy steps to installation so you can be up and running in the shortest possible time frame.



**1** Once the site has been prepared, fix the aluminium site frame to the wall, ceiling and floor.

**2** Click-fix the first IPS unit onto the frame and slide into position. Attach a vertical flashgap to the frame, on either side of the unit, screw-fixing to the frame from the face. Fix tie back to the wall. Repeat until all units are in place.

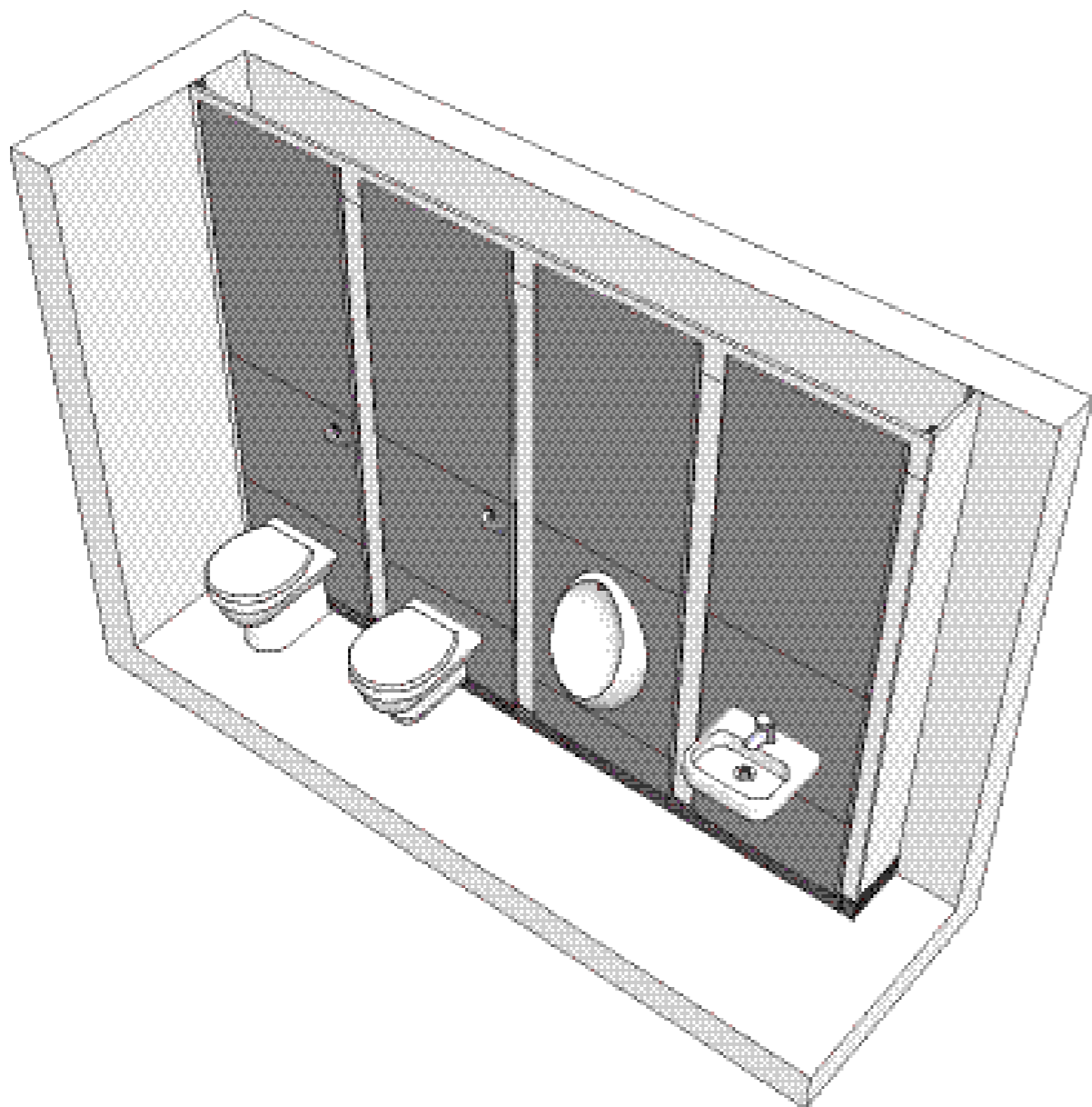
**3** Once all the units are in position, connect the plumbing and services.

**4** Simply attach the top and bottom panels to the units. Installation complete.

🕒 20 minute installation      🕒 30 minute installation      🕒 10 minute installation\*      🕒 5 minute installation

The comparisons given between IPS, Frameduct and Rapiduct are a guide and are designed to help you choose the right product for your project.  
\* Dependent on brassware.

# Technical Specifying IPS



## Dimensions

**Maximum ceiling height**  
3040mm

**Skirting/baserail height**  
Available in 50mm and 105mm  
(other skirting heights achievable  
by site packing the baserail).

**Top flashgap**  
45mm

Minimum shelf heights and panel widths  
are dependant upon sanitaryware.

## Sanitaryware

**WCs**

**Basins**

**Urinals**

**Showers**

**Washtroughs**

**Drinking fountains**

**Bidets**

**Cleaners sinks**

**Squat pans**

**Baths**

**Healthcare items**  
Please refer to Healthcare section,  
see p126-131.

## Performance

Available in 5 material options, IPS  
is suitable for every type of wet or  
dry environment allowing you to  
specify the most appropriate panel  
option to meet the site requirements  
and your budget.

**MFC**  
For dry environments with low risk of  
vandalism. Panels are manufactured  
from 18mm nominal thickness high  
performance moisture-resistant  
melamine faced chipboard.  
Edges lipped with PVC.

**HPL**  
For more heavily used washrooms,  
panels are heat, scratch and impact  
resistant. Manufactured from  
moisture-resistant chipboard faced  
with high pressure laminate, panels  
are 18mm nominal thickness.  
Edges lipped with PVC. Post-formed  
vertical edge option available.

**SGL**  
Solid grade laminate is extremely  
resistant to impact and all surfaces  
are impervious to water.  
Panels are 13mm nominal thickness  
with polished black radiused edges.

**ColourCoat**  
Panels are 18mm nominal thickness  
MDF sprayed with one coat of primer  
and finished with pigmented  
polyurethane lacquer.

**Veneer**  
Manufactured from chipboard faced  
with real wood veneer, panels are  
18mm nominal thickness.  
Edges lipped with matching veneer.

## Detailing

**Panels**  
Available in MFC, HPL, SGL,  
ColourCoat and Veneer.

**Flashgaps**  
MFC or SGL.

**Colour finish**  
**MFC, HPL and SGL**  
36 colours.  
**ColourCoat**  
10 ColourCoat colours available  
when specifying IPS with a V2  
cubicle range.  
Unlimited ColourCoat options  
(any RAL) when specifying IPS  
with a V3 cubicle range.

**Veneer**  
Unlimited Veneer options  
(varying price points).

**Edge treatment**  
**MFC and HPL**  
Matching 1mm PVC lipping.  
**SGL**  
Polished black radiused edge.

**Flashgaps**  
Flashgaps have unfinished edges  
except return end flashgaps  
which will be 1mm PVC lipped  
(or polished if solid grade laminate).

**Site frame**  
Headrail, baserail and corner  
channel manufactured from extruded  
aluminium section.

**Subframes**  
Manufactured from rolled galvanised  
steel section with chipboard bracing  
board. Subframe installed within  
aluminium site frame by click-fix  
nylon location brackets. Back panels  
fixed to steel section by BZP mild  
steel joggle clips.

## Case study Tudor Grange Academy

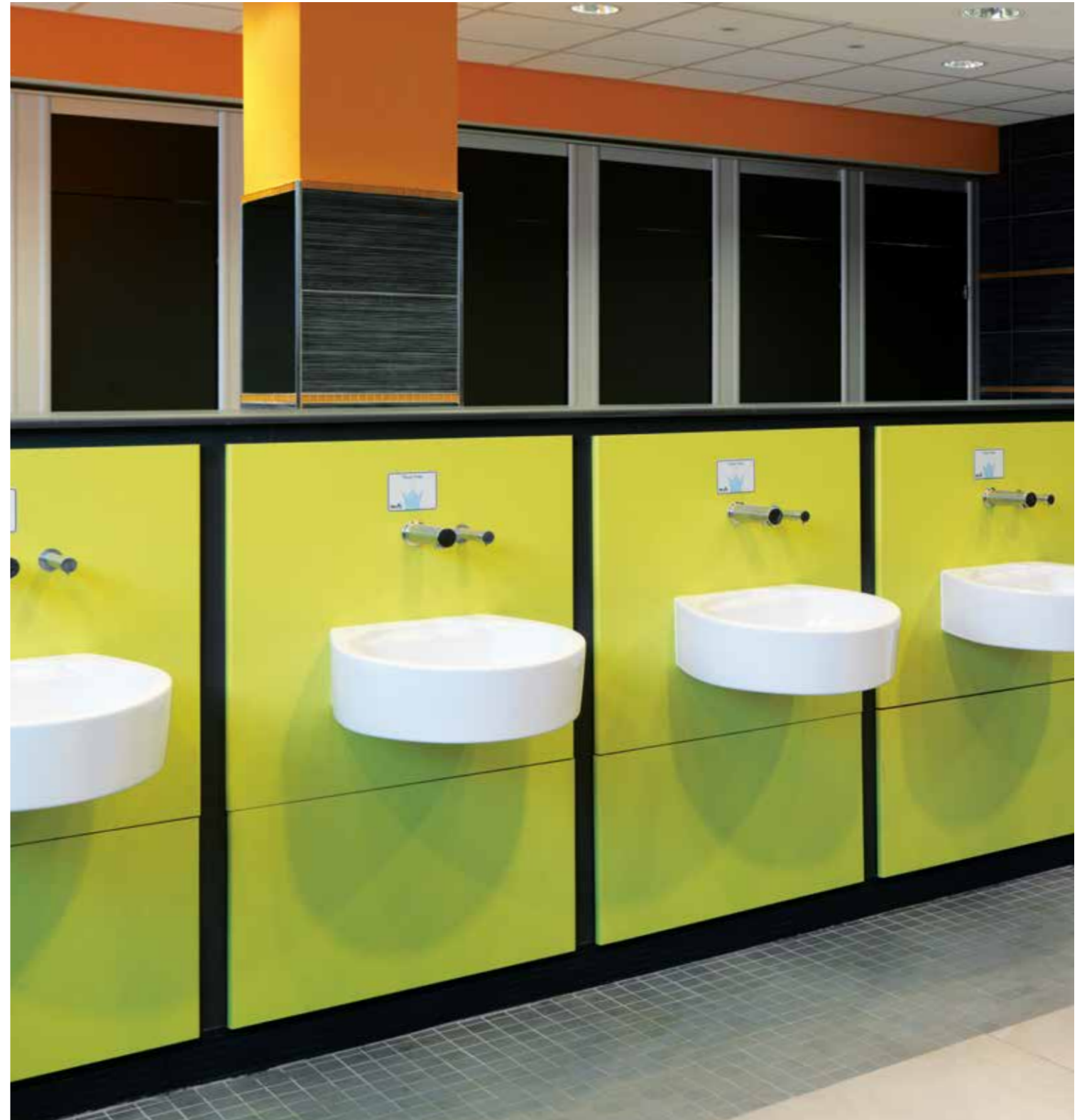
To meet the rigorous demands of this type of environment, all facilities in our Academy have to be robust, efficient and fit for purpose. Centurion has fulfilled these requirements, and has given an excellent finished appearance in all washroom areas.

Graham Turner, Facilities Manager, Tudor Grange Academy


Tudor Grange in Solihull is a mixed academy, catering for 11-16 year olds, formed in 1974 from the combination of well established boys' and girls' grammar schools on the same site.

The academy has a reputation for excellence and academic achievement and is popular with parents and students alike. In fact, it's always over subscribed. When it came to refurbishment, Facilities Manager, Graham Turner, was looking for a highly robust, high specification cubicle that would be able to withstand the many rigours of this large and busy academy.

Solihull Council, having specified Venesta in the past, chose our Centurion range for the six male and female toilet facilities situated throughout the campus. Centurion combines strength and rigidity with wall channels and pilasters that extend to the floor, obviating the need for pedestals. This gave the academy the long-lasting quality that they were looking for.







**Frameduct** is our made to measure, ready to install metal-framed non-plumbed system. It has all the leading edge features you need but gives you the flexibility to choose your own sanitaryware.

# Frameduct Easy installation

Frameduct's superbly crafted, metal-framed panelling has been created to give you quick and easy installation. Its clever click-fix mechanism is simplicity itself. Not only that, Frameduct gives you the opportunity to choose your own sanitaryware.



**01** Once the site has been prepared, fix the aluminium site frame to the wall, ceiling and floor.

20 minute installation



**02** Click-fix the first IPS unit onto the frame and slide into position. Attach a vertical flashgap to the frame, on either side of the unit, screw-fixing to the frame from the face. Fix tie back to the wall. Repeat until all units are in place.

30 minute installation



**03** Drill or cut out for sanitaryware.

10 minute installation



**04** Mount sanitaryware and brassware.

20 minute installation



**05** Once all the units are in position, connect the plumbing and services.

10 minute installation\*



**06** Simply attach the top and bottom panels to the units. Installation complete.

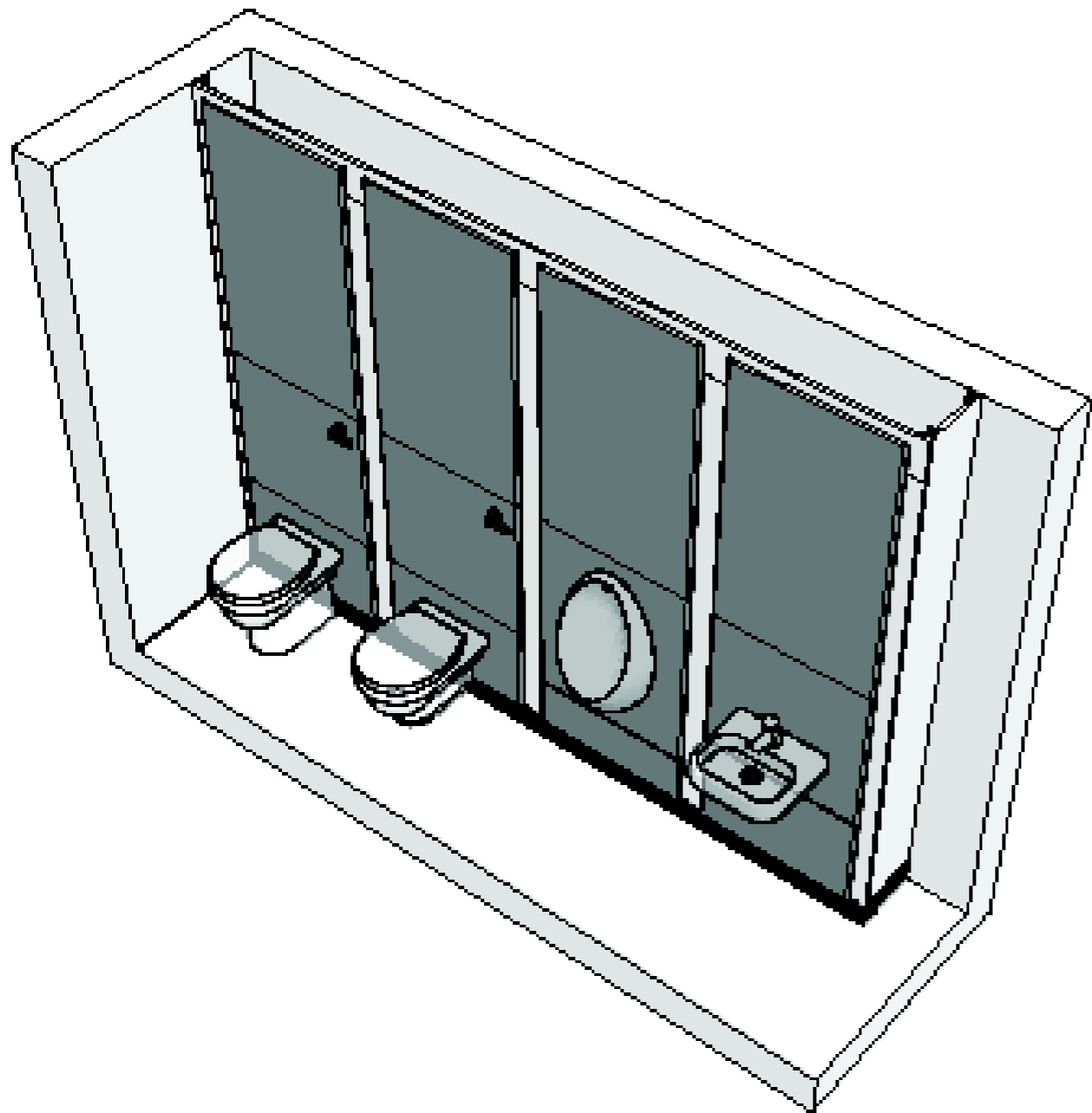
5 minute installation

# You need easy installation.

Frameduct brings you an intelligent, great looking system that's easy to install but with one added extra – you get to choose your own sanitaryware.

The comparisons given between IPS, Frameduct and Rapiduct are a guide and are designed to help you choose the right product for your project.  
\* Dependent on brassware.

# Technical Specifying Frameduct



## Dimensions

**Maximum ceiling height**  
3040mm

**Skirting/baserail height**  
Available in 105mm and 50mm  
(other skirting heights achievable  
by site packing the baserail).

**Top flashgap**  
45mm

## Performance

Available in 5 material options, Frameduct is suitable for every type of wet or dry environment allowing you to specify the most appropriate panel option to meet the site requirements and your budget.

**MFC**  
For dry environments with low risk of vandalism. Panels are manufactured from 18mm nominal thickness high performance moisture-resistant melamine faced chipboard. Edges lipped with PVC.

**HPL**  
For more heavily used washrooms, panels are heat, scratch and impact resistant. Manufactured from moisture-resistant chipboard faced with high pressure laminate, panels are 18mm nominal thickness. Edges lipped with PVC. Post-formed vertical edge option available.

**SGL**  
Solid grade laminate is extremely resistant to impact and all surfaces are impervious to water. Panels are 13mm nominal thickness with polished black radiused edges.

**ColourCoat**  
Panels are 18mm nominal thickness MDF sprayed with one coat of primer and finished with pigmented polyurethane lacquer.

**Veneer**  
Manufactured from chipboard faced with real wood veneer, panels are 18mm nominal thickness. Edges lipped with matching veneer.

## Detailing

**Panels**  
Available in MFC, HPL, SGL, ColourCoat and Veneer.

**Flashgaps**  
MFC or SGL.

**Colour finish**  
**MFC, HPL and SGL**  
36 colours.  
**ColourCoat**  
10 ColourCoat colours available when specifying Frameduct with an V2 cubicle range.  
Unlimited ColourCoat options (any RAL) when specifying Frameduct with a V3 cubicle range.  
**Veneer**  
Unlimited Veneer options (varying price points).

**Edge treatment**  
**MFC and HPL**  
Matching 1mm PVC lipping.  
**SGL**  
Polished black radiused edge.  
**Flashgaps**  
Flashgaps have unfinished edges except return end flashgaps which will be 1mm PVC lipped (or polished if solid grade laminate).

**Site frame**  
Headrail, baserail and corner channel manufactured from extruded aluminium section.

**Subframes**  
Manufactured from rolled galvanised steel section with chipboard bracing board. Subframe installed within aluminium site frame by click-fix nylon location brackets. Back panels fixed to steel section by BZP mild steel joggle clips.

**Rapiduct** is a low-cost bespoke duct panelling system specially created by our panelling experts to give you easy installation and a functional finish, perfect for any wet or dry washroom environment.

Rapiduct

# Rapiduct Easy installation

The best value for function, for finish and for easy installation, Rapiduct's clever construction means it can be put together in the shortest time.



**01** Install timber-frame (supplied by others).

30 minute installation



**02** Fit base flashgaps to the site frame followed by vertical, horizontal and top flashgaps.

20 minute installation



**03** Attach fixing clips to the inside edge of the vertical flashgaps, repeat process on back face of panels.

30 minute installation



**04** Drill or cut out for sanitaryware.

10 minute installation



**05** Mount combined panel, sanitaryware and brassware onto flashgaps before completing pipework.

20 minute installation



**06** Once all the units are in position, connect the plumbing and services.

10 minute installation\*



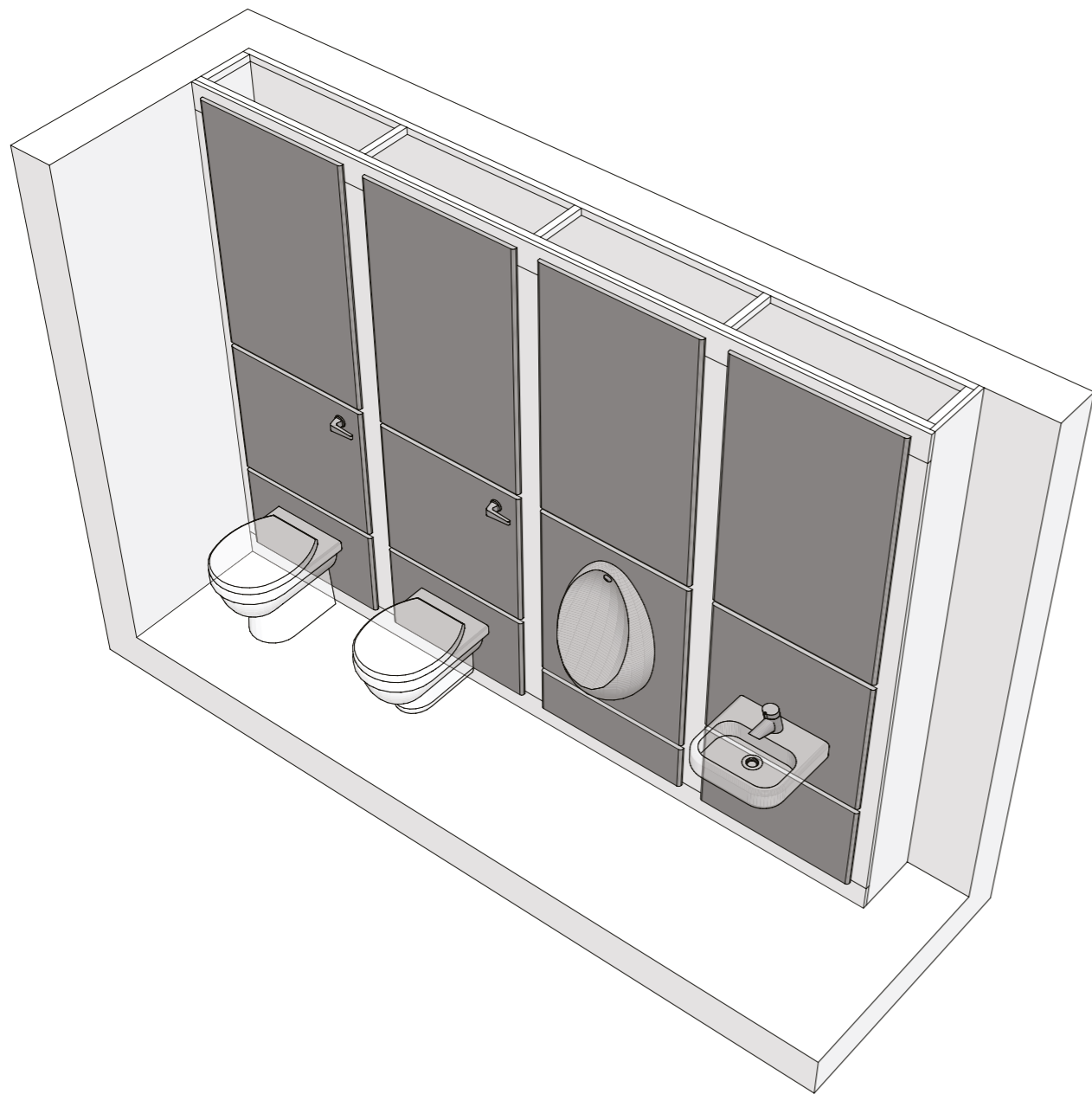
**07** Simply attach the top and bottom panels to the units. Installation complete.

5 minute installation

# You need easy installation.

Simple, functional and highly cost-effective, this timber-framed panelling system is flexible enough to suit any washroom and is designed for your own installation. You can specify Rapiduct with any Venesta cubicle or vanity system.

# Technical Specifying Rapiduct



## Dimensions

Bespoke panel sizes available to suit site dimensions.

## Performance

Available in 5 material options, Rapiduct is suitable for every type of wet or dry environment allowing you to specify the most appropriate panel option to meet the site requirements and your budget.

### MFC

For dry environments with low risk of vandalism. Panels are manufactured from 18mm nominal thickness high performance moisture-resistant melamine faced chipboard. Edges lipped with PVC.

### HPL

For more heavily used washrooms, panels are heat, scratch and impact resistant. Manufactured from moisture-resistant chipboard faced with high pressure laminate, panels are 18mm nominal thickness. Edges lipped with PVC. Post-formed vertical edge option available.

### SGL

Solid grade laminate is extremely resistant to impact and all surfaces are impervious to water. Panels are 13mm nominal thickness with polished black radiused edges.

### ColourCoat

Panels are 18mm nominal thickness MDF sprayed with one coat of primer and finished with pigmented polyurethane lacquer.

### Veneer

Manufactured from chipboard faced with real wood veneer, panels are 18mm nominal thickness. Edges lipped with matching veneer.

## Detailing

### Panels

Available in MFC, HPL, SGL, ColourCoat and Veneer.

### Flashgaps

MFC or SGL.

### Colour finish

#### MFC, HPL and SGL

36 colours.

#### ColourCoat

10 ColourCoat options available when specifying Rapiduct with a V2 cubicle range.

Unlimited ColourCoat options (any RAL) when specifying Rapiduct with a V3 cubicle range.

#### Veneer

Unlimited Veneer options (varying price points).

### Edge treatment

#### MFC and HPL

All edges are lipped with PVC.

#### SGL

Polished black radiused edge.

#### Flashgaps

Flashgaps have unfinished edges except return end flashgaps which will be 1mm PVC lipped (or polished if solid grade laminate).

### Fixing clips

Two part black plastic fixing clips for site fixing to panels and flashgap.

### Site frame

Loose flashgaps only supplied by Venesta. Site frame supplied and fixed by site (softwood or similar).

**We know vanities  
and accessories.**

To meet your demands,  
our range of vanities and  
accessories bring form  
and function together in  
one extraordinary collection.

# Vanities and accessories

**Vanities** At Venesta, we've created a vanities collection that's contemporary in style and highly functional. Whether you're looking to create a prestigious, luxury finish or something simple and understated, the Venesta collection has everything you need.

# Vanities



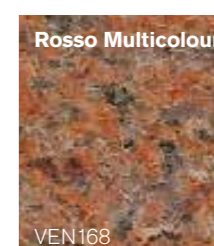
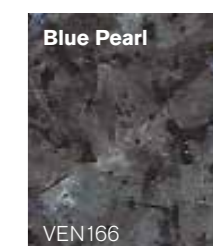
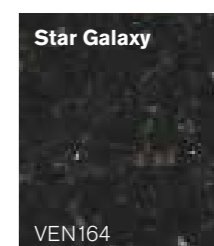
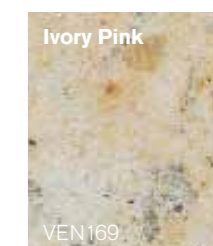
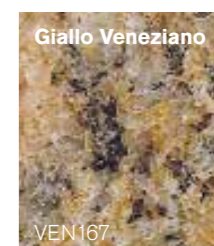
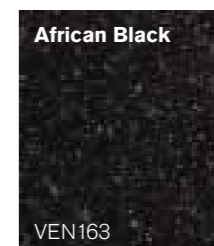
# Vanities Granite

Step into the rare and distinctive world of natural stone with Granite. The perfect solution for your most exclusive and prestigious design solutions, Granite comes with a choice of basins and brassware.



**Key features**

- Granite offers exclusivity and individuality
- Choice of 7 finishes
- Extremely durable and hardwearing
- A choice of designer basins and brassware



**01** Granite vanity in Ivory Pink with Cherwell basins and Jasper Morrison mixer taps

**02** Granite vanity in Emerald Pearl with Jasper Morrison vessel basins and Jasper Morrison mixer taps

**Main image**  
Granite vanity in African Black with White semi-recessed basin and Silver monoblock mixer taps

To view the range of Granite vanity profiles please turn to p200-201

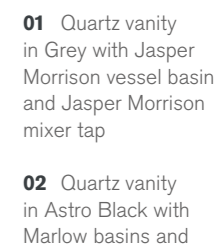
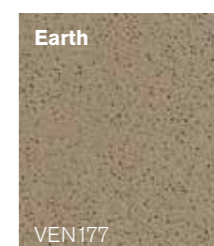
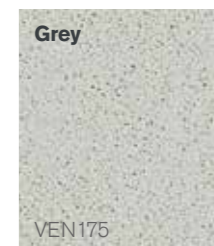
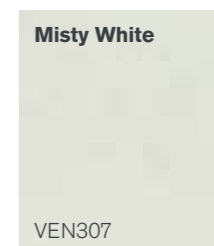
# Vanities Quartz

Dramatic and durable – that's Quartz. This natural finish vanity surface combines the high-class look and feel of natural quartz with a resin composite for maximum durability. In short, a fabulous choice for maximum impact.



**Key features**

- Natural quartz with resin composite for maximum durability
- Stunning visual impact
- Choice of 8 finishes
- Available with complementary basins and cantilever support brackets



**01** Quartz vanity in Grey with Jasper Morrison vessel basin and Jasper Morrison mixer tap

**02** Quartz vanity in Astro Black with Marlow basins and Jasper Morrison mixer taps

**Main image**  
Quartz vanity with bespoke downstand in Steel with White vessel basin and Silver wall mounted mixer taps

To view the range of Quartz vanity profiles please turn to p200-201.

## Vanities Oslo

A highly distinctive vanity, Oslo enhances contemporary washrooms where a sleek, minimalist finish is specified. Combined with our highly polished stainless steel basins, this tough and durable glass vanity is one aesthetic that's hard to beat.



### Key features

15mm toughened glass

A prestigious solution for environments where an impressive visual impact is required

Combines the minimalist design feature of highly polished stainless steel basins with the sheer sophistication of glass

Brushed stainless steel cantilever brackets complement the glass top



**01** Brushed stainless steel cantilever bracket

### Main image

Oslo vanity top with polished stainless steel basins and Jasper Morrison single lever monoblock mixer taps

To view the range of Oslo vanity profiles please turn to p200-201.

# Vanities Solid Surface

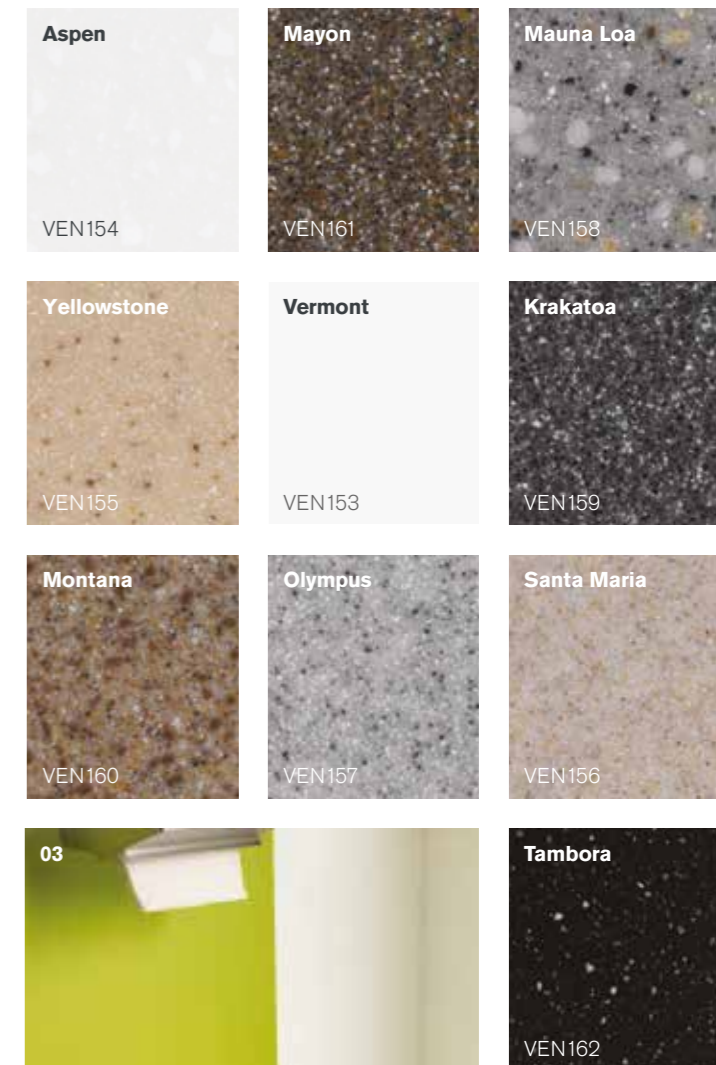
For luxury, strength and a smooth, seamless finish, our Solid Surface solution wins hands down. Its stone appearance, together with Armitage Shanks and Ideal Standard sanitaryware, delivers a visually stunning yet highly practical installation.



**Key features**

- Stunning stone appearance that ensures consistency and durability
- Choice of 9 finishes
- Integral bowl option offers a seamless finish
- Offers flexibility and space efficiency

To view the range of Solid Surface vanity profiles please turn to p200-201.



**01** Solid Surface vanity in Vermont and Graphite with Concept Sphere semi-recessed basins and Silver dual lever monoblock mixer taps

**02** Solid Surface vanity in Mayon and Graphite with Concept Sphere vessel basins and Silver monoblock mixer taps

**03** Solid Surface wash trough in Vermont with Avon 21 mixer taps

**Main image**  
Solid Surface vanity in Krakatoa and Iceberg with integrated basins and Avon 21 mixer taps

## Vanities SGL

The most demanding environments need hard-working solutions to match. This solid grade laminate (SGL) is built to last and is totally impervious to water; plus, it comes in a choice of 36 colours.



### Key features

- Hard-working 12.5mm nominal thickness solid grade laminate
- Ultimate performance for demanding environments
- Impervious to water
- Suitable for wet and dry environments
- Curved aluminium extrusions provide a smooth finish to the vanity upstand and downstand
- Available in 36 colour options
- Choice of vanity profiles

**01** SGL vanity in Iceberg, Green Stipple and Eucalyptus with Orbit basins and Avon pillar taps

### Main image

SGL vanity in Oxford Blue, Skye and Baby Blue with Concept Sphere semi-recessed basins and Avon 21 mixer taps



To view the range of SGL vanity profiles please turn to p200-201.

## Vanities HPL

High pressure laminate (HPL) is highly economical, delivering top marks on finish and design and a superb choice for any dry environment. Ensuring maximum choice, it comes with a selection of vanity profiles and 36 colour options.



### Key features

- Perfect solution for any dry environment
- Quality manufacturing and design at an economical price
- Available in 36 colour options
- Choice of vanity profiles
- Further options of low level and children's screen prints available

To view the range of Laminate vanity profiles please turn to p200-201.



01

### Key features

- Perfect solution for any dry environment
- Anti-roll front upstand
- Quality manufacturing and design at an economical price
- Available in 36 colour options



02

### Key features

- Perfect solution for any dry environment
- Anti-roll front upstand
- Quality manufacturing and design at an economical price
- Available in 36 colour options

**01** Surf vanity unit in Teal and Jive with Profile semi-recessed basins and Avon 21 mixer taps

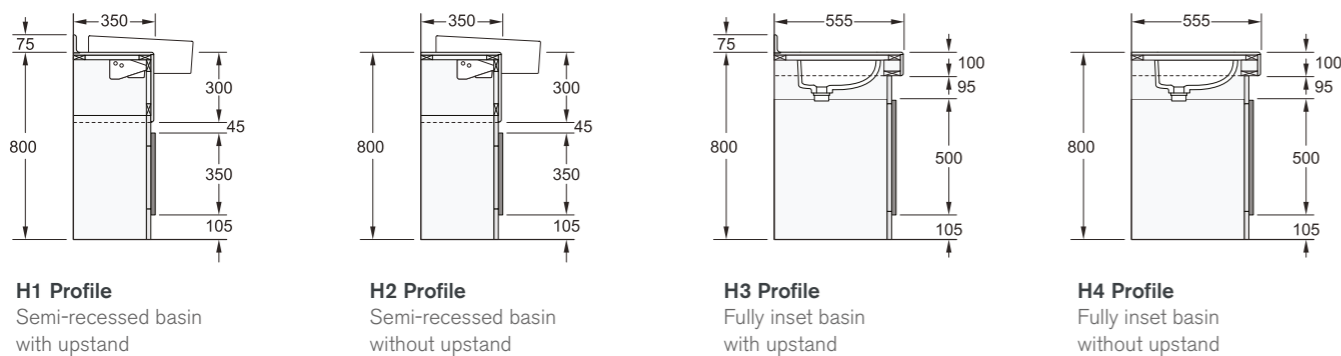
**02** Baby change unit in Iceberg, Green Stipple and Eucalyptus with Orbit basins and Tratto lever monoblock taps

### Main image

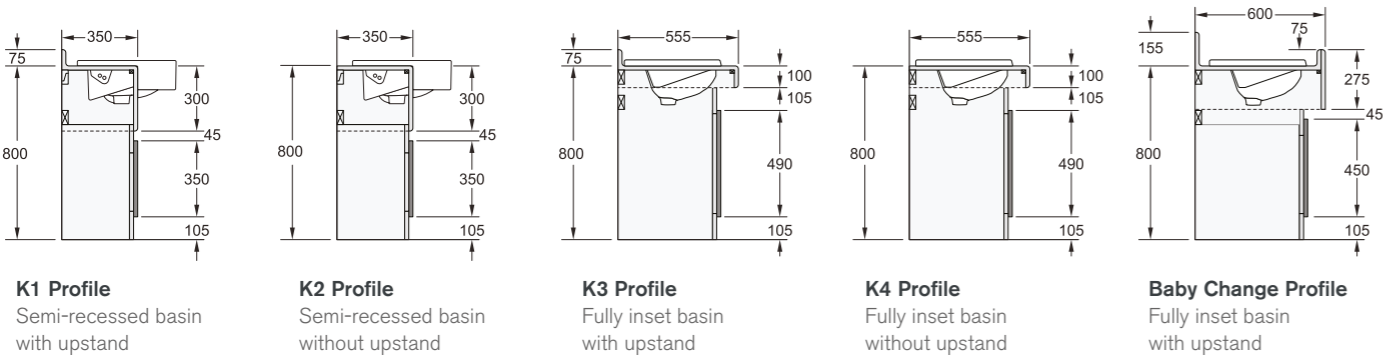
HPL vanity in Wisteria and Graphite with Orbit basins and Sensorflow 21 taps

# Technical Specifying Vanities

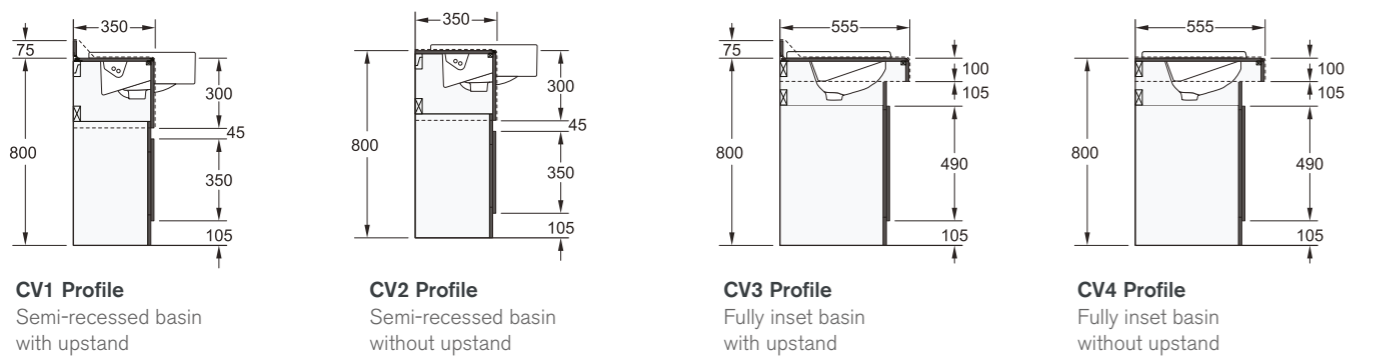
**Solid Surface** 13.5mm blend of acrylic polymer minerals with integral moulded-in-reinforcements that provide impact and thermal shock resistance. In order to help maintain pristine conditions, Solid Surface Maintenance Care Kits are available from Venesta. Suitable for heavy duty applications.



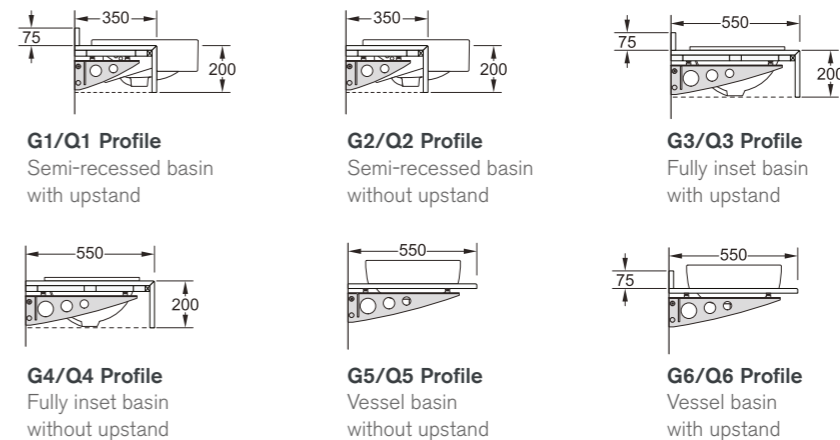
**HPL** For light and medium duty applications. High performance moisture resistant chipboard faced with high pressure laminate with post-forming to horizontal edges of under panels. Vertical edges are lipped with PVC.



**SGL** Suitable for wet and heavy duty applications. 12.5mm nominal thickness with polished black radiused edges. SGL vanities come with powder coated aluminium extrusions in Light Grey and Dark Grey.



**Granite/ Quartz**



**Light Pelnets**

All fixing brackets included. Broken line indicates return end detail.

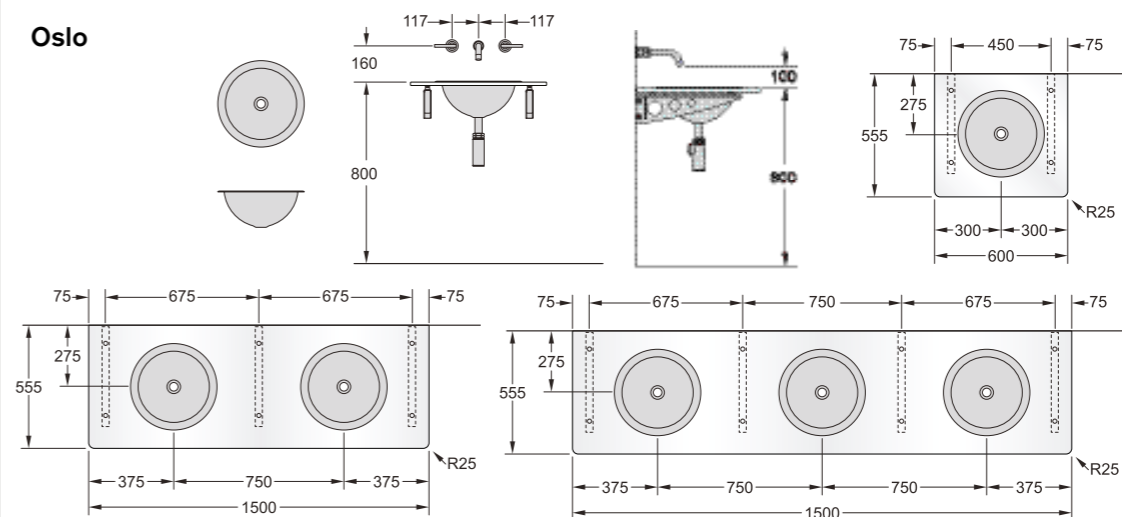


**LP3 Profile**  
HPL Pelmet

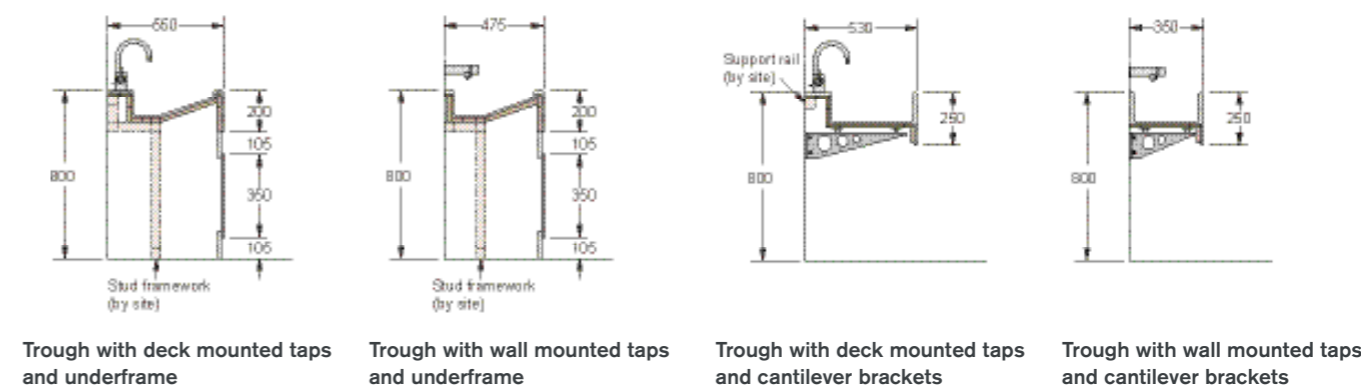


**LP6 Profile**  
SGL Pelmet

**Oslo**



**Solid Surface Wash Trough**



**Accessories** To complement your washroom, we've designed an inspiring range of accessories. From premium right through to budget, we promise you an accessory that's right for you.





## Accessories

Contemporary designs that do the job perfectly – that's our accessory range. To make your life easier, we have everything from soap dispensers to bins, from door signs to coat hooks. It's all here ready for your selection.



**Liquid soap dispenser**  
Stainless steel  
Wall mounted stainless steel liquid soap dispenser with brushed satin finish, key lock and 900ml refillable reservoir.  
H265 x W100 x D95mm  
**Code: 0302525**



**Liquid soap dispenser**  
White metal  
Wall mounted white metal liquid soap dispenser with key lock and 900ml refillable reservoir.  
H265 x W100 x D95mm  
**Code: 0302521**



**Liquid soap/foam dispenser**  
Light Grey plastic  
Wall mounted dispenser for liquid soap/foam with Light Grey ABS case and stainless steel cover with 900ml refillable reservoir.  
H255 x W130 x D120mm  
**Code: 0302513/0302514**



**Liquid soap dispenser**  
White plastic  
Wall mounted dispenser for liquid soap with white ABS case and 900ml refillable reservoir.  
H250 x W115 x D115mm  
**Code: 0302540**



**Vessel basin soap dispenser**  
Polished chrome  
Basin mounted liquid soap dispenser with polished chrome finish and 1 litre refillable soap bottle.  
H235 x W140 x Ø44mm  
**Code: 0362005**



**Duct wall soap dispenser**  
Polished chrome  
Duct wall push button liquid soap dispenser with polished chrome finish.  
W125 x Ø50mm x Ø25mm  
**Code: 0362006**



**Multi-feed soap dispensing system**  
Plastic  
Multi-feed liquid soap dispenser for use with basin/vanity top, vessel basin or duct wall mounted soap dispensers with 5 litre refillable soap bottle.  
H283 x W190 x D130mm  
**Code: 0362007**



**Cylindrical liquid soap dispenser**  
Stainless steel  
Wall mounted stainless steel cylindrical soap dispenser with brushed satin finish.  
H193 x Ø63 x D88mm  
**Code: 0302508**



**Liquid soap dispenser**  
Polished chrome  
Basin or vanity mounted liquid soap dispenser with polished chrome finish and 900ml refillable soap bottle.  
H85 x Ø44 x L140mm  
**Code: 0302532**



**Top mounted basin liquid soap dispenser**  
Polished chrome  
Polished chrome liquid soap dispenser with 500ml soap bottle and spacer ring for basins mounted on vanity top.  
H80 x W105 x Ø50mm  
**Code: 0302015**



**Under mounted basin liquid soap dispenser**  
Polished chrome  
Polished chrome liquid soap dispenser with 500ml soap bottle for basins mounted under vanity top.  
H60 x W105 x Ø50mm  
**Code: 0302014**



**Elite paper towel dispenser**  
Stainless steel  
Recessed mounted dispenser for C-fold or interfold paper towels with brushed satin stainless steel door and key lock.  
H579 x W382 x D116mm  
**Code: 0302045**



**Behind mirror paper towel dispenser**  
Stainless steel  
Stainless steel paper towel dispenser mounted behind mirror with hinged dispensing flaps for interfold towels.  
H464 x W292 x D107mm  
**Code: 0302531**



**Paper towel dispenser**  
Stainless steel  
Wall mounted stainless steel paper towel dispenser for C-fold or interfold towels with brushed satin finish and key lock.  
H372 x W255 x D124mm  
**Code: 0302526**



**Paper towel dispenser**  
White metal  
Wall mounted white metal paper towel dispenser for C-fold or interfold towels with white powder coated finish and key lock.  
H372 x W255 x D124mm  
**Code: 0302522**

# Accessories


**Paper towel dispenser**

Light Grey plastic  
Wall mounted towel dispenser for C-fold or interfold paper towels made from Light Grey ABS with stainless steel cover.  
H325 x W325 x D150mm  
**Code: 0302519**


**Paper towel dispenser**

White plastic  
Wall mounted white ABS towel dispenser for C-fold or interfold paper towels.  
H425 x W290 x D145mm  
**Code: 0302537**


**Paper towel waste chute**

Stainless steel  
Stainless steel, vanity mounted circular waste paper towel chute with visible flange.  
Ø180 x ID Ø150 x D120mm  
**Code: 0302530**


**Elite paper towel waste bin**

Stainless steel  
Recessed mounted stainless steel paper towel waste bin with brushed satin finish, door latch and integral plastic liner.  
H840 x W382 x D116mm  
**Code: 0302046**


**Paper towel 50 litre waste bin**

Stainless steel  
Floor standing stainless steel paper towel waste bin without lid.  
H600 x W335 x D258mm  
**Code: 0302529**


**Paper towel 30 litre waste bin**

Stainless steel  
Stainless steel paper towel waste bin with brushed satin finish, bag holder and wall fixings.  
H552 x W355 x D163mm  
**Code: 0302528**


**Paper towel 30 litre waste bin**

White metal  
Metal paper towel waste bin with white powder coated finish, bag holder and wall fixings.  
H552 x W355 x D163mm  
**Code: 0302524**


**Jumbo toilet roll dispenser**

Stainless steel  
Stainless steel jumbo toilet roll dispenser with brushed satin finish, key lock and viewing slot.  
Ø298 x H308 x D114mm  
**Code: 0302527**


**Jumbo toilet roll dispenser**

White metal  
White powder coated metal jumbo toilet roll dispenser with key lock and viewing slot.  
Ø298 x H308 x D114mm  
**Code: 0302523**


**Midi-jumbo toilet roll dispenser**

Light Grey plastic  
Wall mounted dispenser for jumbo toilet roll paper with Light Grey ABS case and stainless steel cover plus spare stub roll.  
H350 x W260 x D140mm  
**Code: 0302518**


**Midi-jumbo toilet roll dispenser**

White plastic  
Wall mounted white ABS jumbo toilet roll dispenser.  
H325 x W280 x D145mm  
**Code: 0302538**


**Toilet tissue dispenser**

Light Grey plastic  
Wall mounted dispenser for toilet tissue paper with Light Grey ABS case and stainless steel cover.  
H310 x W180 x D125mm  
**Code: 0302517**


**Toilet tissue dispenser**

White plastic  
Wall mounted white ABS toilet tissue dispenser.  
H275 x W150 x D130mm  
**Code: 0302539**


**Automatic jet hand dryer**

High speed jet hand dryer with white ABS cover, auto start/stop sensors and low energy consumption.  
H650 x W292 x D250mm  
**Code: 0302534**

**Automatic jet hand dryer**  
Metallic Silver  
High speed jet hand dryer with metallic silver ABS cover, auto start/stop sensors and low energy consumption.  
H650 x W292 x D250mm  
**Code: 0302536**


**Automatic jet hand dryer**

White  
High speed jet hand dryer with white ABS cover, auto start/stop sensors and low energy consumption.  
H650 x W292 x D250mm  
**Code: 0302534**


**Elite warm air hand dryer**

Stainless steel  
Recessed mounted warm air hand dryer with brushed satin stainless steel cover and auto start/stop sensors.  
H579 x W382 x D116mm  
**Code: 0302047**


**Elite combined paper towel dispenser/hand dryer/bin**

Stainless steel  
Recessed mounted combination unit with paper towel dispenser, warm air hand dryer and waste bin.  
H1998 x W382 x D116mm  
**Code: 0302045/0302047/0302046**


**Automatic hand wash station**

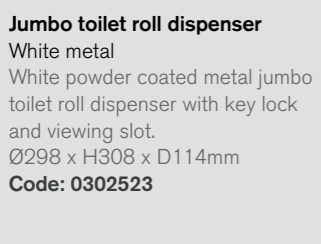
Brushed satin stainless steel  
Recessed mounted hand wash station with auto hand rinse, soap and warm air dryer. Brushed satin stainless steel case.  
H815 x W422 x D175mm  
**Code: 0302024**


**Slimline warm air hand dryer**

Stainless steel  
Surface mounted slimline warm air hand dryer, with low energy twin blowers and touch-free start/stop sensors.  
H345 x W350 x D100mm  
**Code: 0302520**


**Automatic warm air hand dryer**

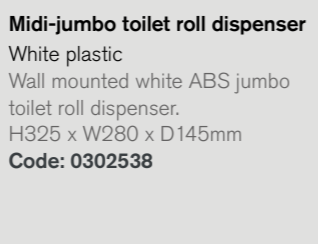
White metal  
Surface mounted automatic warm air hand dryer with white painted cast aluminium case.  
H269 x W336 x D191mm  
**Code: 0302005**


**Automatic high speed hand dryer**

Light Grey plastic  
Wall mounted dispenser for toilet tissue paper with Light Grey ABS case and stainless steel cover.  
H310 x W180 x D125mm  
**Code: 0302517**


**Automatic high speed hand dryer**

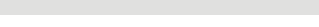
Light Grey plastic  
Wall mounted dispenser for jumbo toilet roll paper with Light Grey ABS case and stainless steel cover plus spare stub roll.  
H350 x W260 x D140mm  
**Code: 0302518**


**Automatic high speed hand dryer**

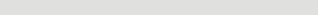
White plastic  
Wall mounted white ABS jumbo toilet roll dispenser.  
H325 x W280 x D145mm  
**Code: 0302538**


**Toilet tissue dispenser**

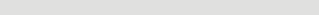
Light Grey plastic  
Wall mounted dispenser for toilet tissue paper with Light Grey ABS case and stainless steel cover.  
H310 x W180 x D125mm  
**Code: 0302517**


**Elite combined paper towel dispenser/hand dryer/bin**

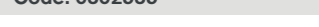
Stainless steel  
Recessed mounted combination unit with paper towel dispenser, warm air hand dryer and waste bin.  
H1998 x W382 x D116mm  
**Code: 0302045/0302047/0302046**


**Automatic hand wash station**

Brushed satin stainless steel  
Recessed mounted hand wash station with auto hand rinse, soap and warm air dryer. Brushed satin stainless steel case.  
H815 x W422 x D175mm  
**Code: 0302024**


**Automatic warm air hand dryer**

Stainless steel  
Surface mounted automatic warm air hand dryer with brushed satin stainless steel case.  
H277 x W274 x D135mm  
**Code: 0302019**


**Automatic high speed hand dryer**

Metallic Silver  
Compact high speed hand dryer with low energy consumption, touch-free start/stop sensor and metallic silver cast aluminium cover.  
H300 x W280 x D175mm  
**Code: 0302535**

# Accessories



### Automatic high speed hand dryer

#### White metal

Compact high speed hand dryer with low energy consumption, touch-free start/stop sensor and white cast aluminium cover. H300 x W280 x D175mm

**Code: 0302533**



### Single toilet roll holder

#### Stainless steel

Stainless steel single toilet roll holder with concealed wall fixings. H85 x W141 x D40mm

**Code: 0302509**



### Double toilet roll holder

#### Stainless steel

Stainless steel double toilet roll holder with concealed wall fixings. H85 x W254 x D40mm

**Code: 0302510**



### Toilet brush and holder

#### Stainless steel

Wall mounted stainless steel toilet brush and holder in brushed satin finish. H396 x W89 x D115mm

**Code: 0302512**



### Single toilet roll holder

#### Satin

Anodised aluminium single toilet roll holder with concealed wall fixings. H90 x W170 x D19mm

**Code: 0302502**



### Toilet roll holder

#### Dark Grey/Light Grey/Satin chrome aluminium

Cast aluminium toilet roll holder with lockable single core in Dark Grey powder coat finish. Also available in Light Grey and Satin Chrome. H50 x W174 x D88mm

**Code: 0380072/0380071/0380070**



### Lockable toilet roll holder

#### Light Grey/White/Dark Grey plastic

Light Grey nylon single toilet roll holder with lockable arm and concealed wall fixings. Also available in Dark Grey and White. H130 x W155 x D25mm

**Code: 0300403/0300401/0300147**

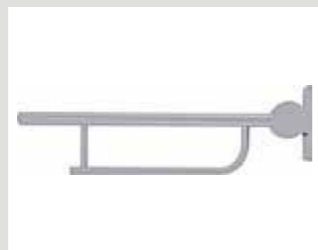


### Toilet roll holder

#### White/Light Grey/Dark Grey plastic

White nylon single toilet roll holder with concealed wall fixings. Also available in Light Grey and Dark Grey. H130 x W155 x D25mm

**Code: 0300301/0300303/0300146**



### Hinged support rail

#### Satin/White

Aluminium support rail in polished stainless steel with hinged support arm 800mm long and concealed fixing plate. Also available in satin and white polyester coated finish. L800 x H242 x W110mm

**Code: S6360MY/S6360AC**



### Back support rail

#### Satin

Aluminium back rest 400mm long with brushed satin stainless steel finish, concealed fixings and white vinyl pad. W400 x D310 x Ø35mm

**Code: S6466MY and S688467**



### Back support rail

#### White

Aluminium back rest 400mm long with white polyester coated finish, concealed fixings and white vinyl pad. W400 x D310 x Ø35mm

**Code: S6466AC and S688467**



### Grab rail/fixing kit

#### Satin/White

Aluminium grab rail 600mm long with polished stainless steel and white polyester coated finish and concealed fixings. Fixing plate kit for cubicle mounted grab rails. W600 x D95 x Ø80/Ø32

**Code: S6454AC/ S6454MY**  
**Fixing kit 0500021**



### Door handle

#### Stainless steel

Stainless steel pull door handles (pair) with brushed satin finish and concealed fixings. H619 x Ø19 x D65mm

**Code: 0302511**  
Glass door handle option:  
H419 x Ø19 x D65mm

**Code: 0182206**



### Cubicle door handle

#### Polished/Light Grey/Dark Grey aluminium

Polished anodised powder coated aluminium C profile cubicle door pull handles (pair). Also available in Light Grey and Dark Grey.

H175 x W150 x D80mm  
**Code: 0500102/0500101/0500103**



### Cubicle door handle

#### Chrome/Satin finish

Stainless steel cubicle door pull handle (single) with polished/brushed satin finish and concealed fixings. L400 x D60 x Ø19mm

**Code: 0182208/0182203**  
**Satin finish back-to-back (pair) option: 0182204**



### Coat hook

#### Stainless steel

Stainless steel coat hook with integral rubber buffer and concealed fixing in brushed satin finish. Ø50 x D65mm

**Code: 0397094**



### Coat hook

#### Light Grey/Dark Grey/Satin chrome

Satin chrome cast aluminium lightweight coat hook with concealed fixings and integral rubber buffer. Also available in Light Grey and Dark Grey.

Ø20 x D30mm  
**Code: 0380061/0380062/0380060**



### Coat hook

#### Dark Grey/Light Grey/White plastic

Dark Grey nylon lightweight coat hook with concealed fixings. Also available in Light Grey and White. H50 x W20 x D38mm

**Code: 0300137/0300139/0300201**



### Female WC door sign

#### Stainless steel

Stainless steel, self adhesive Female WC door sign. Ø76mm

**Code: 0302504**



### Male WC door sign

#### Stainless steel

Stainless steel, self adhesive Male WC door sign. Ø76mm

**Code: 0302503**



### Unisex WC door sign

#### Stainless steel

Stainless steel, self adhesive Unisex WC door sign. Ø76mm

**Code: 0302505**



### Baby change WC door sign

#### Stainless steel

Stainless steel, self adhesive Baby Change WC door sign. Ø76mm

**Code: 0302507**



### Disabled WC door sign

#### Stainless steel

Stainless steel, self adhesive Disabled WC door sign. Ø76mm

**Code: 0302506**

# We know our responsibility.

## Your world is our world. At Venesta, we treat the environment the way we treat our customers, with care and commitment.

### Managing our waste

#### Targeting zero waste

Waste is an inevitable part of any manufacturing process, but there are ways to ensure it doesn't become an environmental headache. For example, at Venesta, we've set ourselves the challenge of reducing waste in all areas, not only in manufacturing but also in our administration processes.

We've significantly invested in a programme of new recycling systems and equipment for all production waste. So far, this has allowed us to reduce our waste to landfill by 50%. That's not all. We're currently planning to extend our recycling and waste burning equipment which will mean we can achieve our objective of zero waste to landfill by 2016.

### Managing our energy

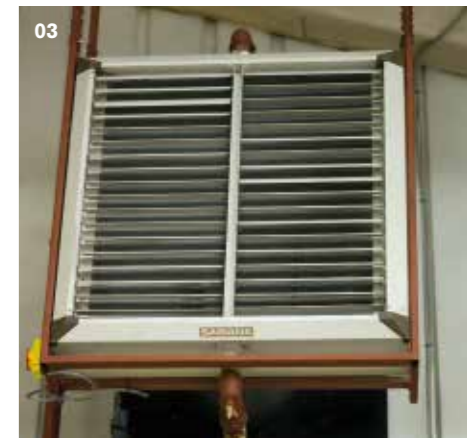
#### Eliminating landfill

The cost of energy and the issue of carbon emissions are high on our environmental agenda and we're continually searching for ways to reduce energy consumption across all of our facilities. For example, our waste burning equipment diverts the heat it generates into fuel for our manufacturing site. This means we've been able to replace our conventional gas-fired heating systems, significantly reducing our heating usage and carbon emissions.

### Reducing our travel

#### Decreasing carbon emissions

As part of our ongoing commitment to improving our carbon footprint, we've undertaken to reduce employees' travelling time. All staff are encouraged to use public transport wherever possible and we've installed video conferencing facilities on all of our sites to allow meetings to be held without the need for travel.



**01-03 Waste management**  
Biomass burner turns smaller production waste into factory heating

**04 Recycling**  
Wherever possible all off-cuts are worked back into production for smaller product components

**05 Recycling**  
Investment in latest CNC programming reduces waste board material

**06 Recycling**  
Robotic handling systems ensure maximum board utilisation is achieved



# We know washrooms. Your partner, every step of the way.

Venesta people are passionate about ensuring you get the very best product and service, whatever the size of the project. That's why, from your first enquiry through to installation and beyond, you'll have a team of talented and committed experts working tirelessly to ensure you're happy and satisfied.

At Venesta, we believe it's our people that make the real difference to our business success. Everyone is an expert in their field, from our highly creative CAD team to our efficient and responsive project managers and our dedicated manufacturing team. Their experience and professionalism is what underpins the quality of our customer relationships.



**www.venesta.co.uk**

**For help and advice on choosing  
your washroom, visit our website  
for a comprehensive guide.**

**Our address**

Chartwell Court  
West Mill  
Imperial Business Park  
Gravesend, Kent  
DA11 0DL

Telephone  
01474 353333

Facsimile  
01474 533558

Email  
marketing@venesta.co.uk

Republic of Ireland  
Telephone  
1 800 931 880

Facsimile  
1 800 931 881

**www.venesta.co.uk**

All rights reserved. No part of this publication may be reproduced in any form or by any means, without the prior permission in writing of Venesta Washroom Systems Limited or as expressly provided by law. Venesta reserves the right to alter or change specifications without notice. Colours reproduced in this brochure are as accurate as the printing processes permit.

**Call us, we're here to help.  
01474 353333.**