



ASSA ABLOY

Introduction - Stainless Steel Door Furniture

Door handles are a prominent design feature in any project and UNION appreciates the importance in choosing the right handle to suit your design, specification and budget.

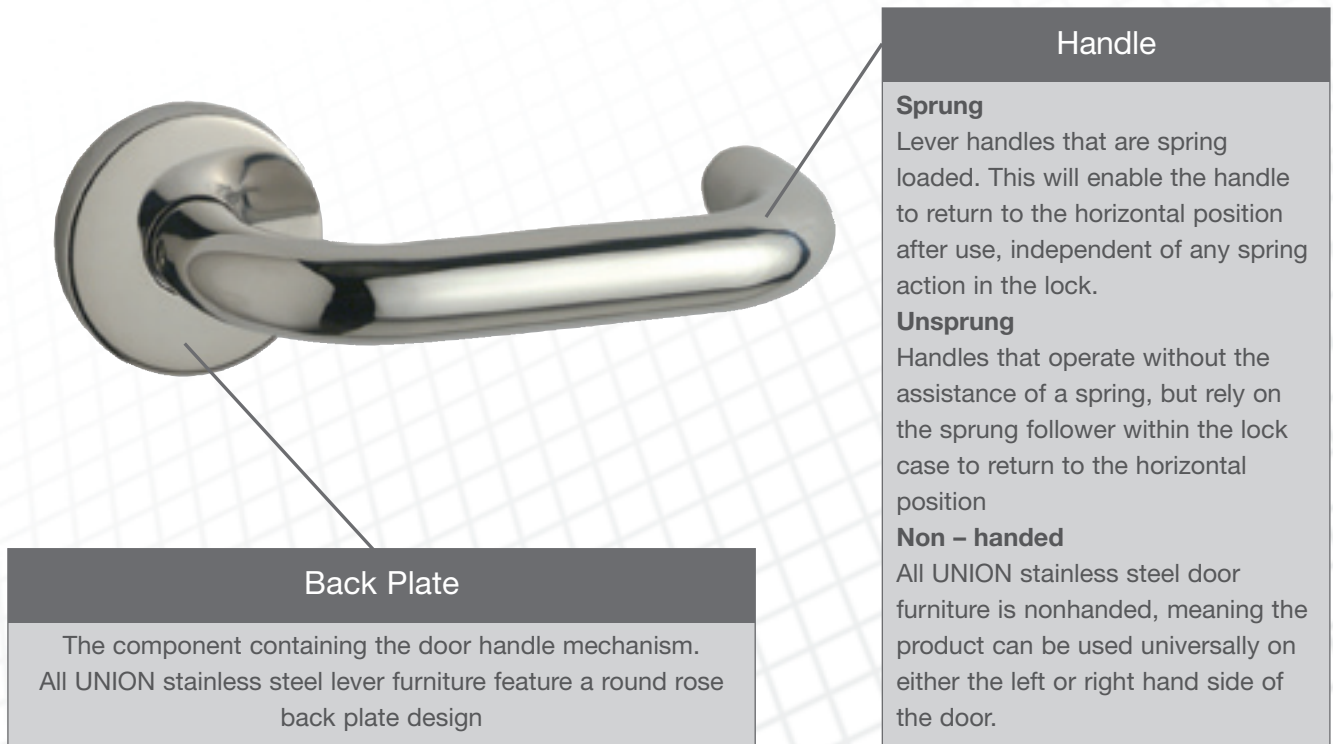
The UNION range of stainless steel door furniture is ideal for the majority of applications, suitable for use in contract, public, commercial, institutional and residential buildings.

The 1000 Series of lever furniture is a wide selection of excellent value stainless steel sprung and unsprung handles, ideal for low budget projects where design or quality cannot be compromised. The 2000 Series of lever furniture is a range of premium solid stainless steel furniture with metal spring cassette construction tested to 200,000 cycles.

UNION also offer a range of stainless steel pull handles and stainless steel accessories.

Features and Functions

The following diagram gives an overview of the main features and functions of a UNION stainless steel lever handle. For a full explanation of terminology, please refer to the glossary on page 0.10 in the introduction at the front of the catalogue.



UNION stainless steel door furniture is available in a variety of designs. Please check each individual specification sheet for measurements. If you require a product that assists in fulfilling the duties required under the Disability Discrimination Act (DDA), these products are denoted by the following symbol:



Finishes

UNION stainless steel door furniture is available in Polished Stainless Steel (PS) or Satin Steel (SS). See individual product pages for availability.

Guarantee



UNION stainless steel furniture is supplied with 5 or 10 year guarantee. See each individual product page for details.

1000 Series

1000RRS01 / 1000RRU01

Application:

- For wooden doors between 32 and 50mm thick
- 19mm diameter handle
- Sprung or un-sprung - please state when ordering
- Supplied with bolt-through fixings
- Concealed fixings
- Non-handed

Operation:

- Lever handle

Specification:

| | |
|-------------------|---|
| Reference | 1000RRS01 - sprung 1000RRU01 - un-sprung |
| Handle Length | 140mm |
| Handle Projection | 55mm |
| Rose Diameter | 54mm |
| Rose Projection | 10mm - sprung 8.5mm - un-sprung |

Accessories:

- 1000-OE - Oval-profile escutcheon
- 1000-EE - Euro-profile escutcheon
- 1000-ER - Emergency release
- 1000-T - Standard thumbturn
- 1000-LT - Large turn bar
- 1000-ST - Small thumbturn
- 1000-BR - Blind rose
- 1000-LK - Lever key escutcheon
- 1000-CPE - Euro rim cylinder pull
- 1000-RP - Circular flush pull

For accessories please refer to section 5D

Features:

- Manufactured from Grade 316 steel



Finishes:

- PS - Polished Stainless Steel
- SS - Satin Stainless Steel

Standards:

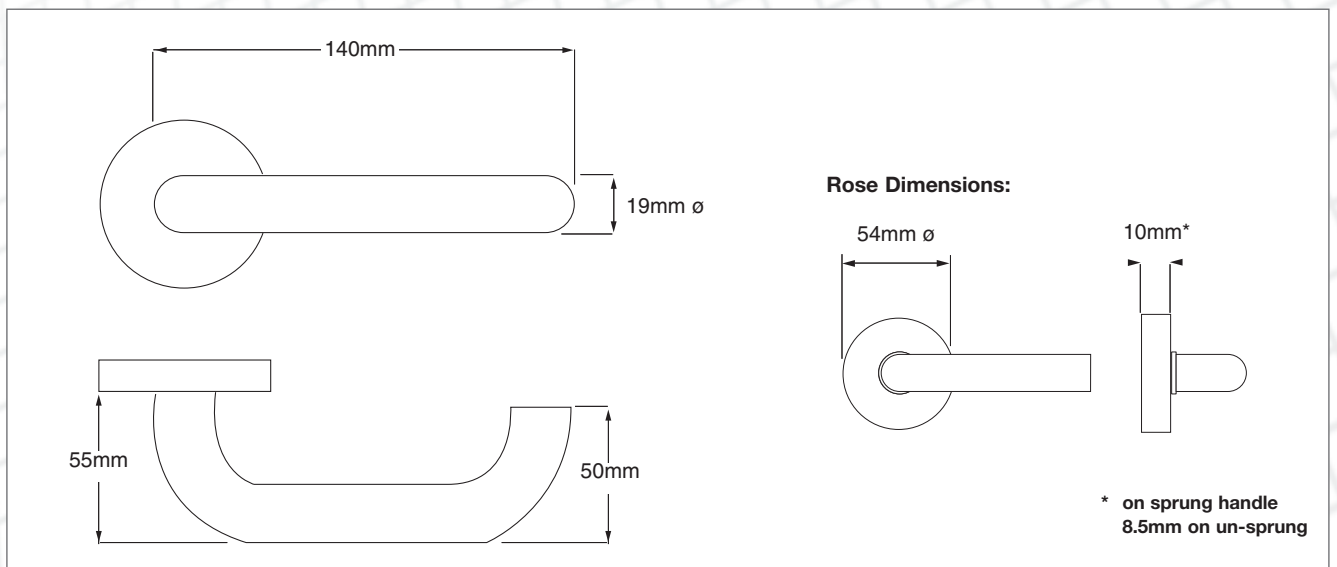


- Assists in fulfilling duties required under the Disability Discrimination Act (DDA). Satisfies recommendations of BS8300 and Approved Document M (ADM) - subject to use on a contrasting background.

Ordering Code Example:

J - 1000RR S 01 PS

(Boxed - Product Code - Springing - Style - Finish)



1000 Series

1000RRUSR01

Application:

- For wooden doors between 32 and 50mm thick
- 19mm diameter handle
- Slim rose
- Un-sprung
- Supplied with bolt-through fixings
- Concealed fixings
- Non-handed

Operation:

- Lever handle

Specification:

| | |
|-------------------|-------------|
| Reference | 1000RRUSR01 |
| Handle Length | 140mm |
| Handle Projection | 55mm |
| Rose Diameter | 54mm |
| Rose Projection | 5mm - slim |

Accessories:

- 1000-OE - Oval-profile escutcheon
- 1000-EE - Euro-profile escutcheon
- 1000-ER - Emergency release
- 1000-T - Standard thumbturn
- 1000-LT - Large turn bar
- 1000-ST - Small thumbturn
- 1000-BR - Blind rose
- 1000-LK - Lever key escutcheon
- 1000-CPE - Euro rim cylinder pull
- 1000-RP - Circular flush pull

For accessories please refer to section 5D



Features:

- Manufactured from Grade 316 steel

Finishes:

- PS - Polished Stainless Steel
- SS - Satin Stainless Steel

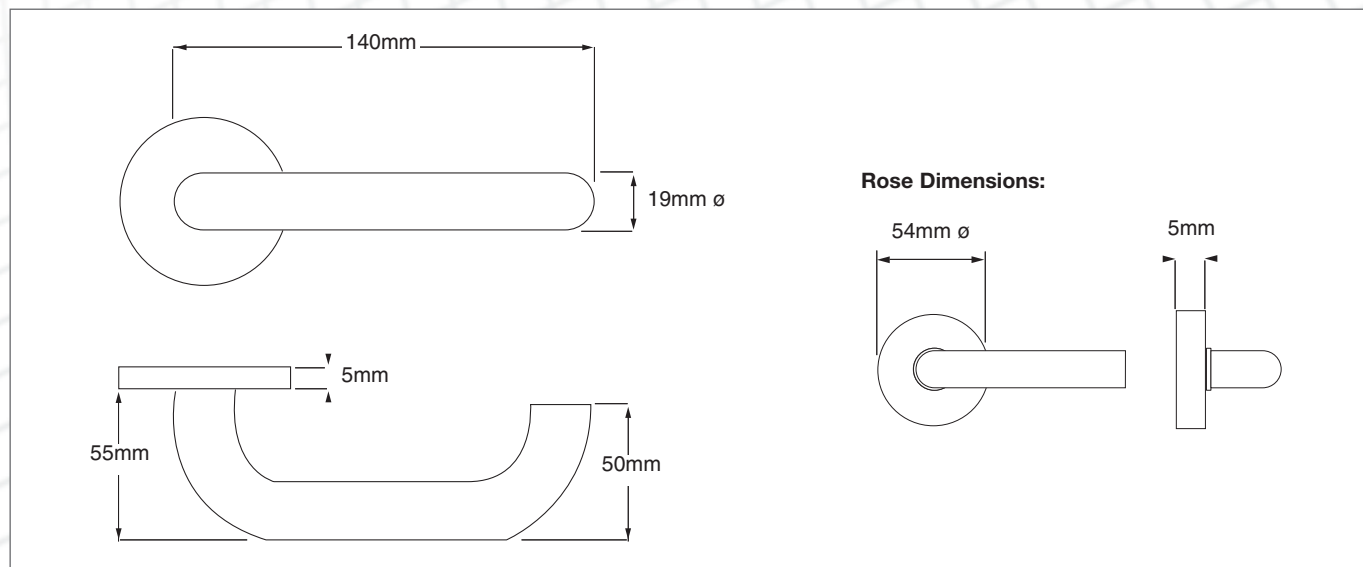
Standards:



Ordering Code Example:

J - 1000RR U SR 01 PS

(Boxed - Product Code - Springing - Rose - Style - Finish)



1000 Series

1002RRS01

Application:

- For wooden doors between 32 and 50mm thick
- 22mm diameter handle
- Sprung
- Supplied with bolt-through fixings
- Concealed fixings
- Non-handed

Operation:

- Lever handle

Specification:

| | |
|-------------------|---------------|
| Reference | 1002RRS01 |
| Handle Length | 140mm |
| Handle Projection | 55mm |
| Handle Diameter | 22mm |
| Rose Diameter | 54mm |
| Rose Projection | 10mm - sprung |

Accessories:

- 1000-OE - Oval-profile escutcheon
- 1000-EE - Euro-profile escutcheon
- 1000-ER - Emergency release
- 1000-T - Standard Thumbturn
- 1000-LT - Large turn bar
- 1000-ST - Small thumbturn
- 1000-BR - Blind rose
- 1000-LK - Lever key escutcheon
- 1000-CPE - Euro rim cylinder pull
- 1000-RP - Circular flush pull

For accessories please refer to section 5D



Features:

- Manufactured from Grade 316 steel

Finishes:

- PS - Polished Stainless Steel
- SS - Satin Stainless Steel

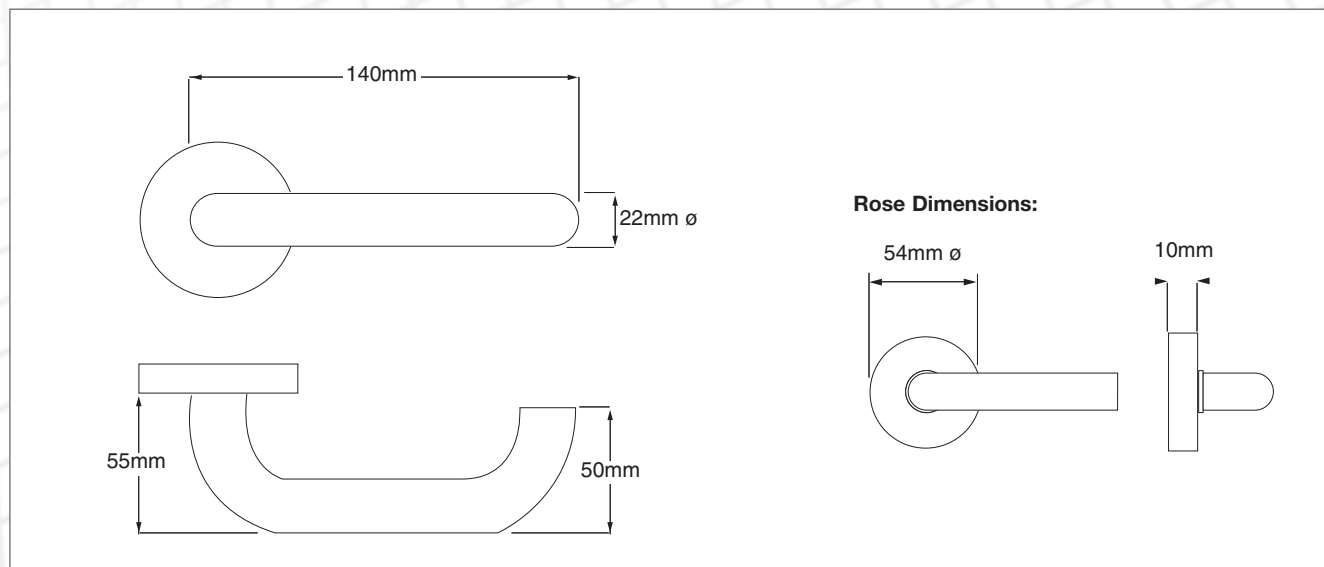
Standards:



Ordering Code Example:

J - 1002RR S 01 PS

(Boxed - Product Code - Springing - Style - Finish)



1000 Series

1000RRS02 / 1000RRU02

Application:

- For wooden doors between 32 and 50mm thick
- 19mm diameter handle
- Sprung or un-sprung - please state when ordering
- Supplied with bolt-through fixings
- Concealed fixings
- Non-handed

Operation:

- Lever handle

Specification:

| | |
|-------------------|---|
| Reference | 1000RRS02 - sprung 1000RRU02 - un-sprung |
| Handle Length | 135mm |
| Handle Projection | 60mm |
| Rose Diameter | 54mm |
| Rose Projection | 10mm - sprung 8.5mm - un-sprung |

Accessories:

- 1000-OE - Oval-profile escutcheon
- 1000-EE - Euro-profile escutcheon
- 1000-ER - Emergency release
- 1000-T - Standard thumbturn
- 1000-LT - Large turn bar
- 1000-ST - Small thumbturn
- 1000-BR - Blind rose
- 1000-LK - Lever key escutcheon
- 1000-CPE - Euro rim cylinder pull
- 1000-RP - Circular flush pull

For accessories please refer to section 5D



Features:

- Manufactured from Grade 316 steel

Finishes:

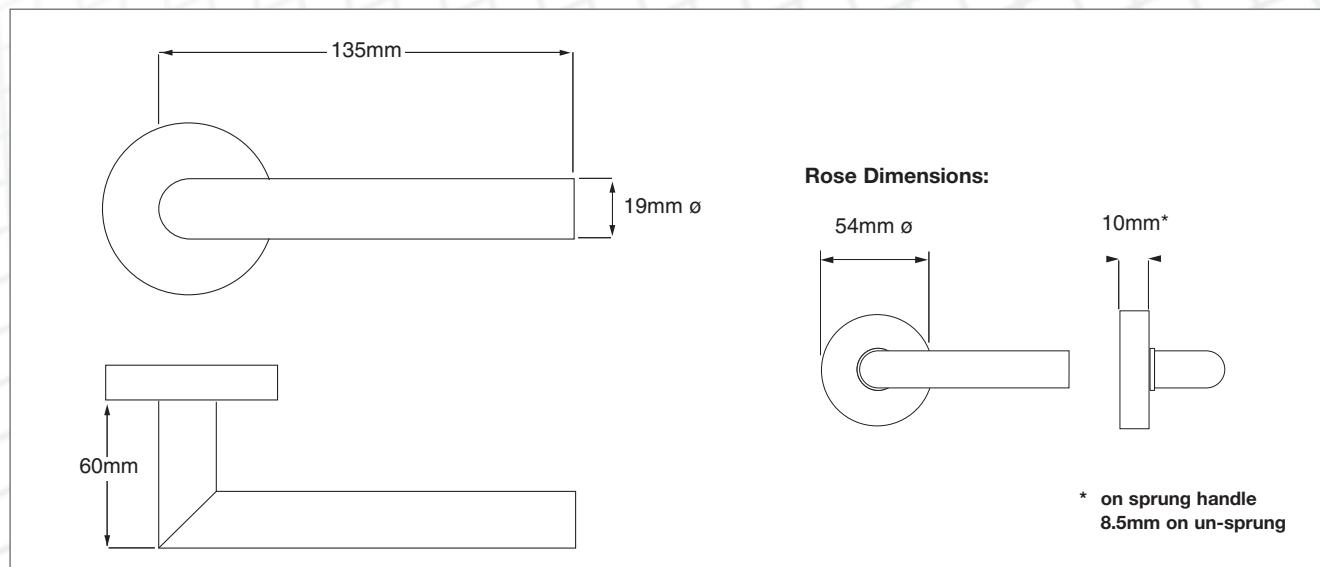
- PS - Polished Stainless Steel
- SS - Satin Stainless Steel

Standards:



Ordering Code Example:

J - 1000RRS02 PS
(Boxed - Product Code - Finish)



1000 Series

1000RRS04 / 1000RRU04

Application:

- For wooden doors between 32 and 50mm thick
- 19mm diameter handle
- Sprung or un-sprung - please state when ordering
- Supplied with bolt-through fixings
- Concealed fixings
- Non-handed

Operation:

- Lever handle

Specification:

| | |
|-------------------|---|
| Reference | 1000RRS04 - sprung 1000RRU04 - un-sprung |
| Handle Length | 135mm |
| Handle Projection | 55mm |
| Rose Diameter | 54mm |
| Rose Projection | 10mm - sprung 8.5mm - un-sprung |

Accessories:

- 1000-OE - Oval escutcheon
- 1000-EE - Euro-profile escutcheon
- 1000-ER - Emergency release
- 1000-T - Standard thumbturn
- 1000-LT - Large turn bar
- 1000-ST - Small thumbturn
- 1000-BR - Blind rose
- 1000-LK - Lever key escutcheon
- 1000-CPE - Euro rim cylinder pull
- 1000-RP - Circular flush pull

For accessories please refer to section 5D



Features:

- Manufactured from Grade 316 steel

Finishes:

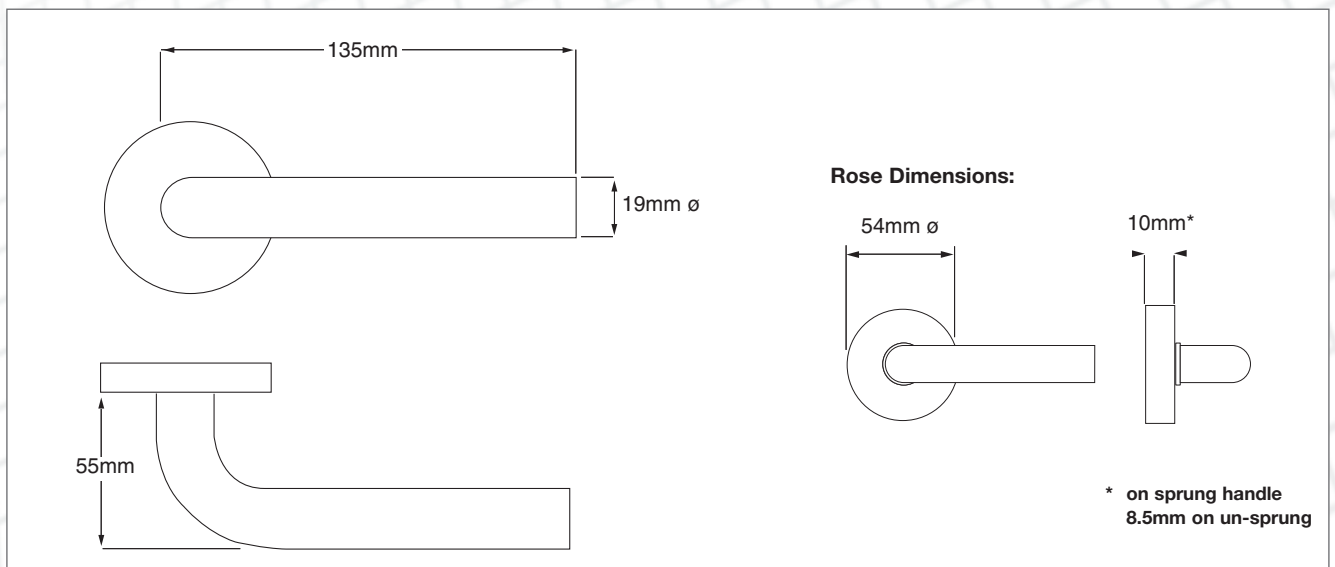
- PS - Polished Stainless Steel
- SS - Satin Stainless Steel

Standards:



Ordering Code Example:

J - 1000RR S 04 PS
(Boxed - Product Code - Springing - Style - Finish)



1000 Series

1000RRS05 / 1000RRU05

Application:

- For wooden doors between 32 and 50mm thick
- 19mm diameter handle
- Sprung or un-sprung - please state when ordering
- Supplied with bolt-through fixings
- Concealed fixings
- Non-handed

Operation:

- Lever handle

Specification:

| | |
|-------------------|---|
| Reference | 1000RRS05 - sprung 1000RRU05 - un-sprung |
| Handle Length | 135mm |
| Handle Projection | 60mm |
| Rose Diameter | 54mm |
| Rose Projection | 10mm - sprung 8.5mm - un-sprung |

Accessories:

- 1000-OE - Oval-profile escutcheon
- 1000-EE - Euro-profile escutcheon
- 1000-ER - Emergency release
- 1000-T - Standard thumbturn
- 1000-LT - Large turn bar
- 1000-ST - Small thumbturn
- 1000-BR - Blind rose
- 1000-LK - Lever key escutcheon
- 1000-CPE - Euro rim cylinder pull
- 1000-RP - Circular flush pull

For accessories please refer to section 5D



Features:

- Manufactured from Grade 316 steel

Finishes:

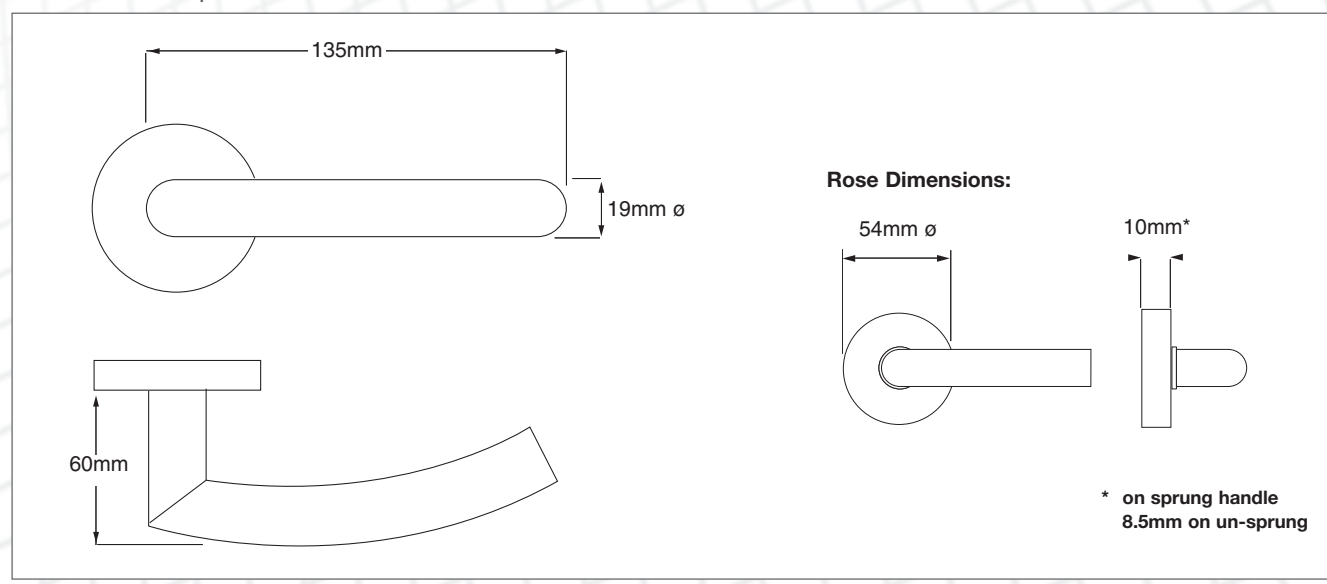
- PS - Polished Stainless Steel
- SS - Satin Stainless Steel

Standards:



Ordering Code Example:

J - 1000RR S 05 PS
(Boxed - Product Code - Springing - Style - Finish)



1000 Series

1000RRS07 / 1000RRU07

Application:

- For wooden doors between 32 and 50mm thick
- 19mm diameter handle
- Sprung or un-sprung - please state when ordering
- Supplied with bolt-through fixings
- Concealed fixings
- Non-handed

Operation:

- Lever handle

Specification:

| | |
|-------------------|---|
| Reference | 1000RRS07 - sprung 1000RRU07 - un-sprung |
| Handle Length | 140mm |
| Handle Projection | 60mm |
| Rose Diameter | 54mm |
| Rose Projection | 10mm - sprung 8.5mm - un-sprung |

Accessories:

- 1000-OE - Oval-profile escutcheon
- 1000-EE - Euro-profile escutcheon
- 1000-ER - Emergency release
- 1000-T - Standard thumbturn
- 1000-LT - Large turn bar
- 1000-ST - Small thumbturn
- 1000-BR - Blind rose
- 1000-LK - Lever key escutcheon
- 1000-CPE - Euro rim cylinder pull
- 1000-RP - Circular flush pull

For accessories please refer to section 5D



Features:

- Manufactured from Grade 316 steel

Finishes:

- PS - Polished Stainless Steel
- SS - Satin Stainless Steel

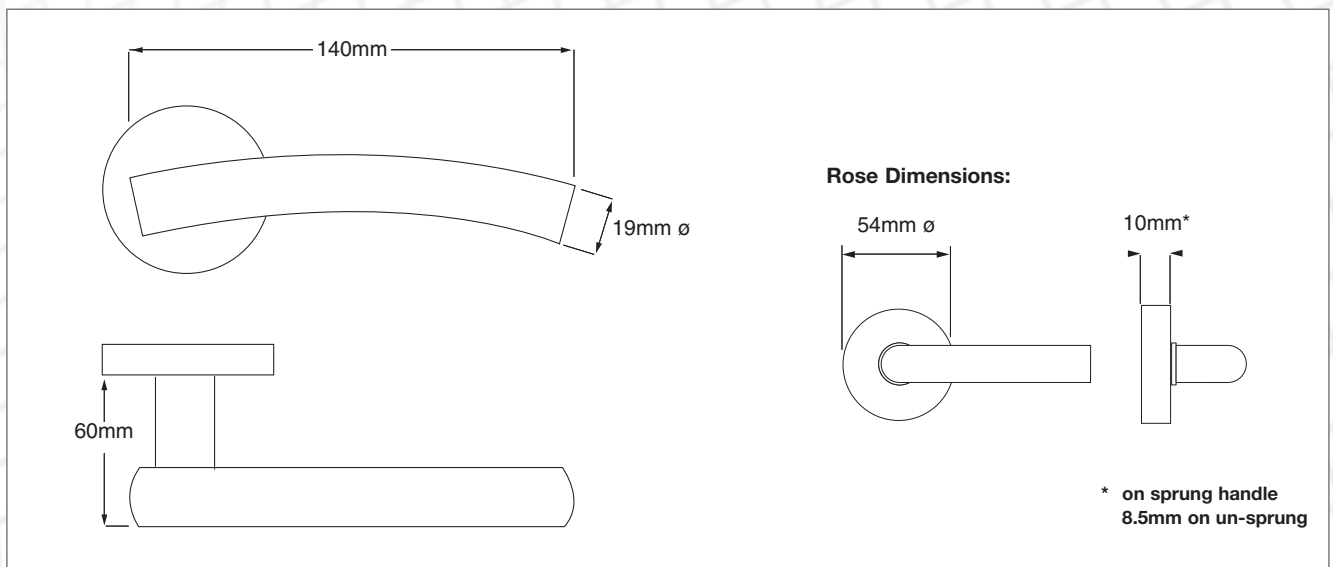
Standards:



Ordering Code Example:

J - 1000RR S 07 PS

(Boxed - Product Code - Springing - Style - Finish)



1000 Series

1000RRS08 / 1000RRU08

Application:

- For wooden doors between 32 and 50mm thick
- 19mm diameter handle
- Sprung or un-sprung - please state when ordering
- Supplied with bolt-through fixings
- Concealed fixings
- Non-handed

Operation:

- Lever handle

Specification:

| | |
|-------------------|---|
| Reference | 1000RRS08 - sprung 1000RRU08 - un-sprung |
| Handle Length | 140mm |
| Handle Projection | 60mm |
| Rose Diameter | 54mm |
| Rose Projection | 10mm - sprung 8.5mm - un-sprung |

Accessories:

- 1000-OE - Oval-profile escutcheon
- 1000-EE - Euro-profile escutcheon
- 1000-ER - Emergency release
- 1000-T - Standard thumbturn
- 1000-LT - Large turn bar
- 1000-ST - Small thumbturn
- 1000-BR - Blind rose
- 1000-LK - Lever key escutcheon
- 1000-CPE - Euro rim cylinder pull
- 1000-RP - Circular flush pull

For accessories please refer to section 5D



Features:

- Manufactured from Grade 316 steel

Finishes:

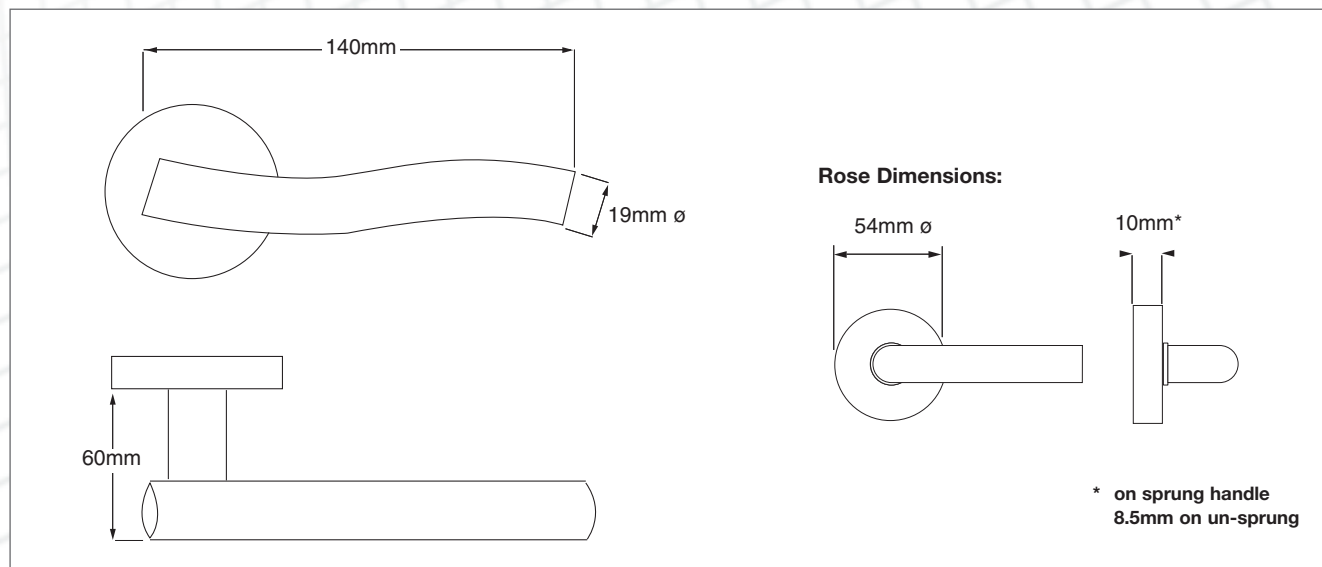
- PS - Polished Stainless Steel
- SS - Satin Stainless Steel

Standards:



Ordering Code Example:

J - 1000RR S 08 PS
(Boxed - Product Code - Springing - Style - Finish)



1000 Series

1000RRS09 / 1000RRU09

Application:

- For wooden doors between 32 and 50mm thick
- 19mm diameter handle
- Sprung or un-sprung - please state when ordering
- Supplied with bolt-through fixings
- Concealed fixings
- Non-handed

Operation:

- Lever handle

Specification:

| | |
|-------------------|---|
| Reference | 1000RRS09 - sprung 1000RRU09 - un-sprung |
| Handle Length | 135mm |
| Handle Projection | 60mm |
| Rose Diameter | 54mm |
| Rose Projection | 10mm - sprung 8.5mm - un-sprung |

Accessories:

- 1000-OE - Oval-profile escutcheon
- 1000-EE - Euro-profile escutcheon
- 1000-ER - Emergency release
- 1000-T - Standard thumbturn
- 1000-LT - Large turn bar
- 1000-ST - Small thumbturn
- 1000-BR - Blind rose
- 1000-LK - Lever key escutcheon
- 1000-CPE - Euro rim cylinder pull
- 1000-RP - Circular flush pull

For accessories please refer to section 5D



Features:

- Manufactured from Grade 316 steel

Finishes:

- PS - Polished Stainless Steel
- SS - Satin Stainless Steel

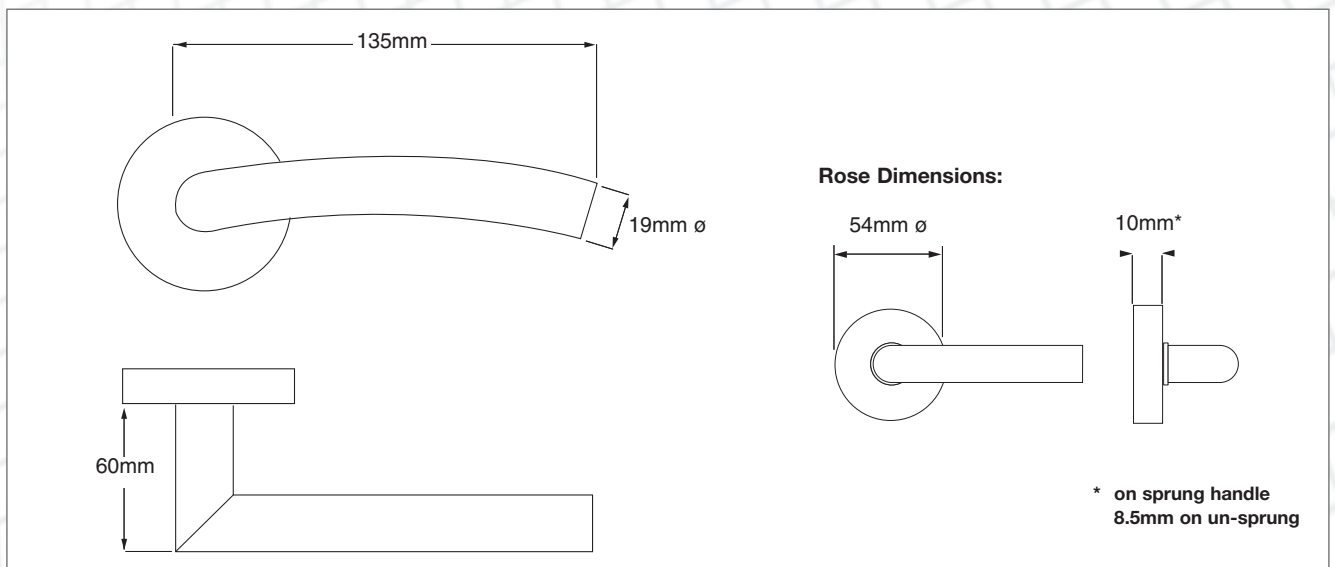
Standards:



Ordering Code Example:

J - 1000RR S 09 PS

(Boxed - Product Code - Springing - Style - Finish)



1000 Series

1000RRS10 / 1000RRU10

Application:

- For wooden doors between 32 and 50mm thick
- 19mm diameter handle
- Sprung or un-sprung - please state when ordering
- Supplied with bolt-through fixings
- Concealed fixings
- Non-handed

Operation:

- Lever handle

Specification:

| | |
|-------------------|---|
| Reference | 1000RRS10 - sprung 1000RRU10 - un-sprung |
| Handle Length | 135mm |
| Handle Projection | 60mm |
| Rose Diameter | 54mm |
| Rose Projection | 10mm - sprung 8.5mm - un-sprung |

Accessories:

- 1000-OE - Oval-profile escutcheon
- 1000-EE - Euro-profile escutcheon
- 1000-ER - Emergency release
- 1000-T - Standard thumbturn
- 1000-LT - Large turn bar
- 1000-ST - Small thumbturn
- 1000-BR - Blind rose
- 1000-LK - Lever key escutcheon
- 1000-CPE - Euro rim cylinder pull
- 1000-RP - Circular flush pull

For accessories please refer to section 5D



Features:

- Manufactured from Grade 316 steel

Finishes:

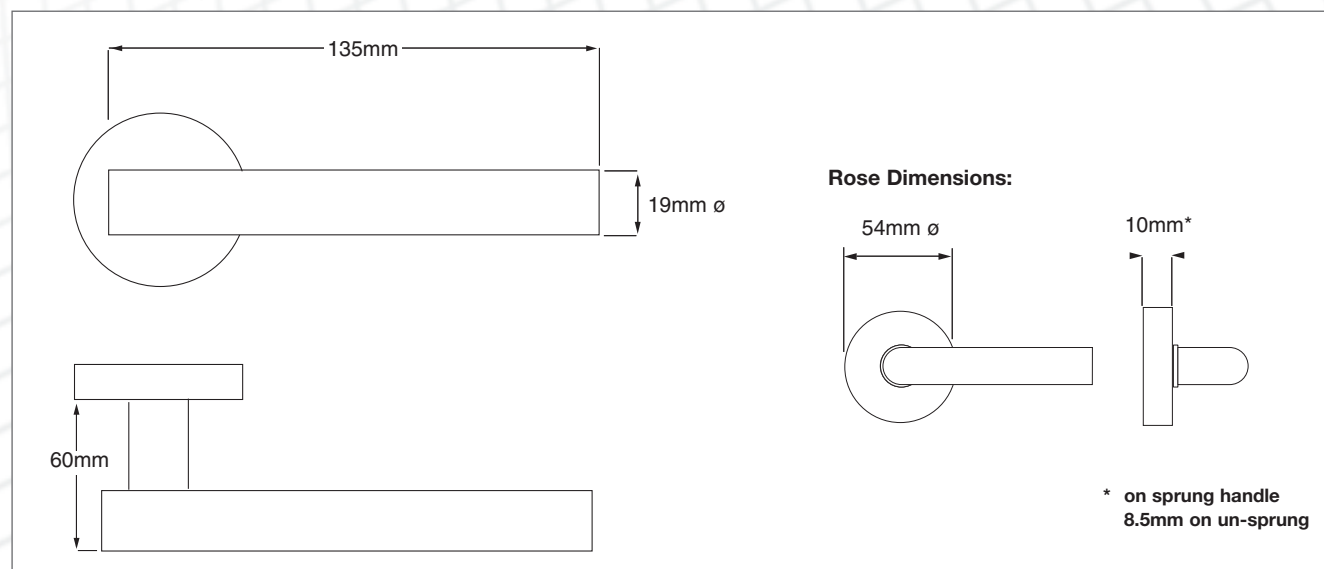
- PS - Polished Stainless Steel
- SS - Satin Stainless Steel

Standards:



Ordering Code Example:

J - 1000RR S 10 PS
(Boxed - Product Code - Springing - Style - Finish)



1000 Series

1000RRS11 / 1000RRU11

Application:

- For wooden doors between 32 and 50mm thick
- Sprung or un-sprung - please state when ordering
- Supplied with bolt-through fixings
- Concealed fixings
- Non-handed

Operation:

- Lever handle

Specification:

| | |
|-------------------|---|
| Reference | 1000RRS11 - sprung 1000RRU11 - un-sprung |
| Handle Length | 128mm |
| Handle Projection | 60mm |
| Rose Diameter | 54mm |
| Rose Projection | 10mm - sprung 8.5mm - un-sprung |

Accessories:

- 1000-OE - Oval-profile escutcheon
- 1000-EE - Euro-profile escutcheon
- 1000-ER - Emergency release
- 1000-T - Standard thumbturn
- 1000-LT - Large turn bar
- 1000-ST - Small thumbturn
- 1000-BR - Blind rose
- 1000-LK - Lever key escutcheon
- 1000-CPE - Euro rim cylinder pull
- 1000-RP - Circular flush pull

For accessories please refer to section 5D



Features:

- Manufactured from Grade 316 steel

Finishes:

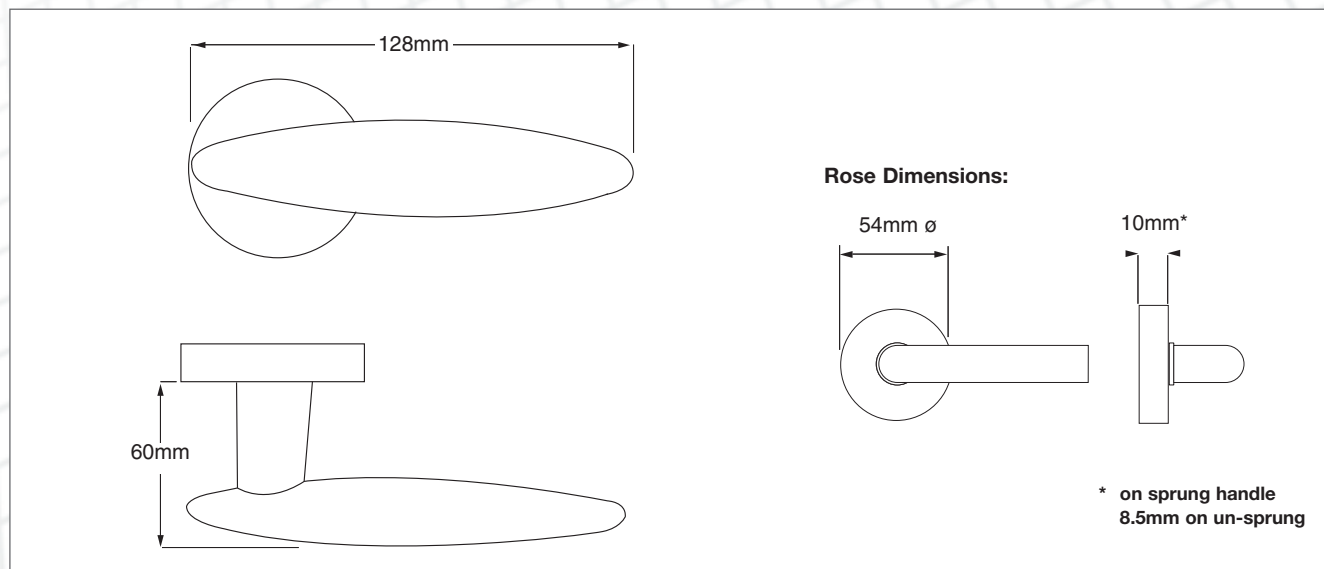
- PS - Polished Stainless Steel
- SS - Satin Stainless Steel

Standards:



Ordering Code Example:

J - 1000RR S 11 PS
(Boxed - Product Code - Springing - Style - Finish)



1000 Series

1000RRS14 / 1000RRU14

Application:

- For wooden doors between 32 and 50mm thick
- 19mm diameter handle
- Sprung or un-sprung - please state when ordering
- Supplied with bolt-through fixings
- Concealed fixings
- Non-handed

Operation:

- Lever handle

Specification:

| | |
|-------------------|---|
| Reference | 1000RRS14 - sprung 1000RRU14 - un-sprung |
| Handle Length | 135mm |
| Handle Projection | 50mm |
| Rose Diameter | 54mm |
| Rose Projection | 10mm - sprung 8.5mm - un-sprung |

Accessories:

- 1000-OE - Oval-profile escutcheon
- 1000-EE - Euro-profile escutcheon
- 1000-ER - Emergency release
- 1000-T - Standard thumbturn
- 1000-LT - Large turn bar
- 1000-ST - Small thumbturn
- 1000-BR - Blind rose
- 1000-LK - Lever key escutcheon
- 1000-CPE - Euro rim cylinder pull
- 1000-RP - Circular flush pull

For accessories please refer to section 5D



Features:

- Manufactured from Grade 316 steel

Finishes:

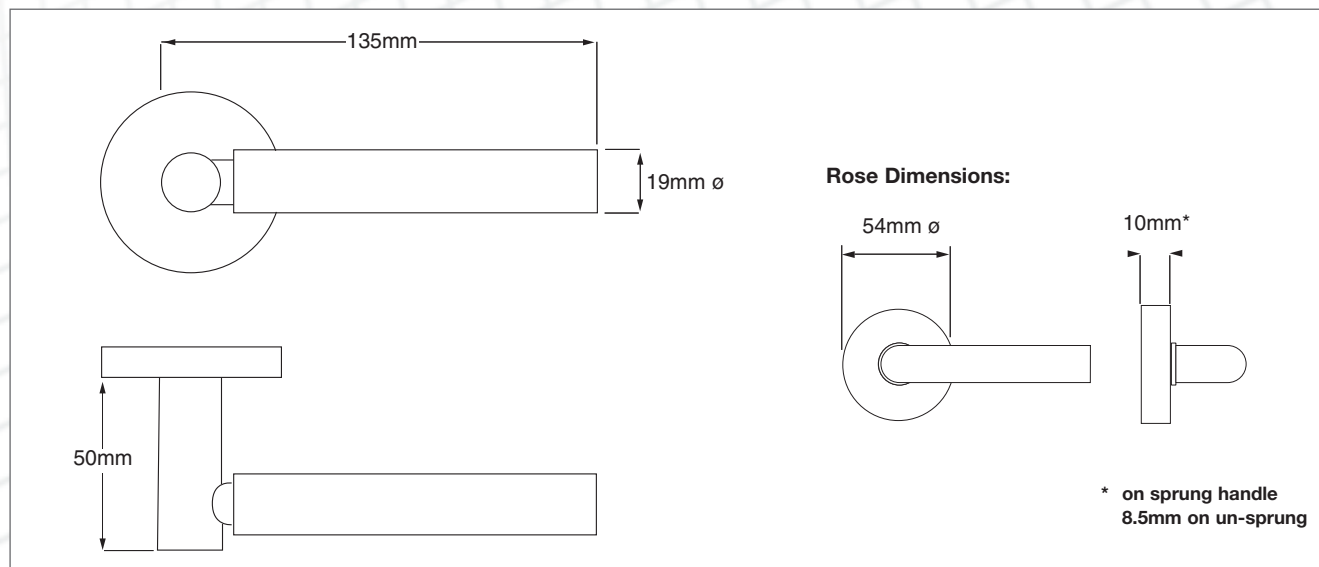
- PS - Polished Stainless Steel
- SS - Satin Stainless Steel

Standards:



Ordering Code Example:

J - 1000RR S 14 PS
(Boxed - Product Code - Springing - Style - Finish)



1000 Series

1000RRS18 / 1000RRU18

Application:

- For wooden doors between 32 and 50mm thick
- 19mm diameter handle
- Sprung or un-sprung - please state when ordering
- Supplied with bolt-through fixings
- Concealed fixings
- Non-handed

Operation:

- Lever handle

Specification:

| | |
|-------------------|---|
| Reference | 1000RRS18 - sprung 1000RRU18 - un-sprung |
| Handle Length | 140mm |
| Handle Projection | 60mm |
| Rose Diameter | 54mm |
| Rose Projection | 10mm - sprung 8.5mm - un-sprung |

Accessories:

- 1000-OE - Oval-profile escutcheon
- 1000-EE - Euro-profile escutcheon
- 1000-ER - Emergency release
- 1000-T - Standard thumbturn
- 1000-LT - Large turn bar
- 1000-ST - Small thumbturn
- 1000-BR - Blind rose
- 1000-LK - Lever key escutcheon
- 1000-CPE - Euro rim cylinder pull
- 1000-RP - Circular flush pull

For accessories please refer to section 5D

Features:

- Manufactured from Grade 316 steel



Finishes:

- PS - Polished Stainless Steel
- SS - Satin Stainless Steel

Standards:

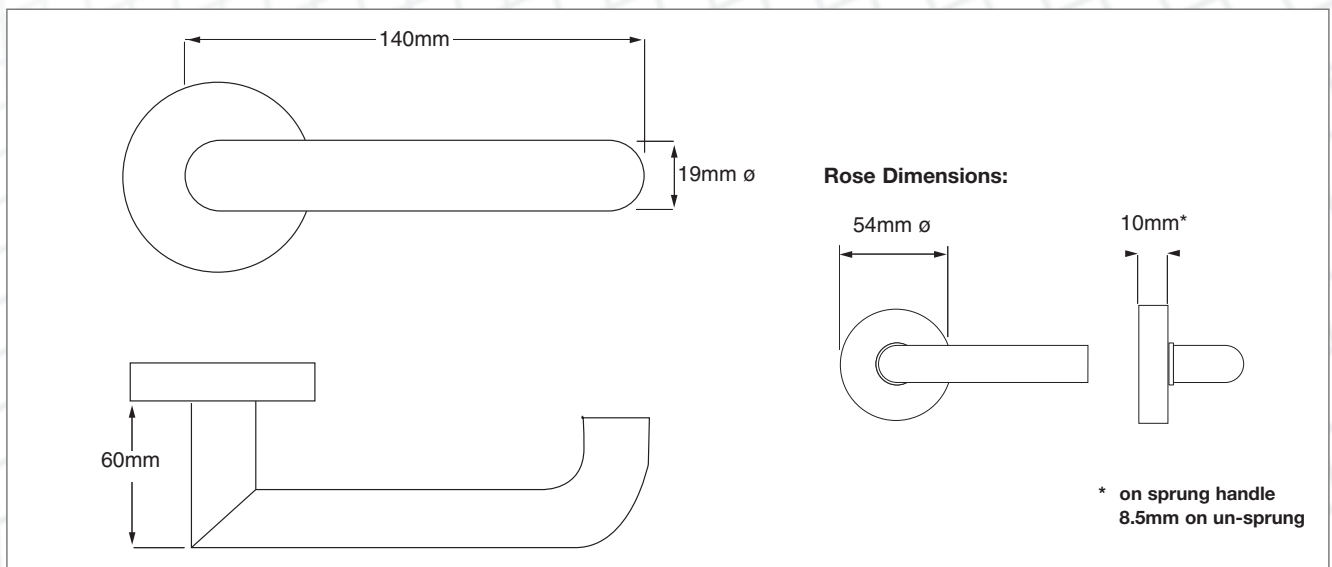


- Assists in fulfilling duties required under the Disability Discrimination Act (DDA). Satisfies recommendations of BS8300 and Approved Document M (ADM) - subject to use on a contrasting background.

Ordering Code Example:

J - 1000RR S 18 PS

(Boxed - Product Code - Springing - Style - Finish)



1000 Series

1000RRS20 / 1000RRU20

Application:

- For wooden doors between 32 and 50mm thick
- 19mm diameter handle
- Sprung or un-sprung - please state when ordering
- Supplied with bolt-through fixings
- Concealed fixings
- Non-handed

Operation:

- Lever handle

Specification:

| | |
|-------------------|---|
| Reference | 1000RRS20 - sprung 1000RRU20 - un-sprung |
| Handle Length | 135mm |
| Handle Projection | 60mm |
| Rose Diameter | 54mm |
| Rose Projection | 10mm - sprung 8.5mm - un-sprung |

Accessories:

- 1000-OE - Oval-profile escutcheon
- 1000-EE - Euro-profile escutcheon
- 1000-ER - Emergency release
- 1000-T - Standard thumbturn
- 1000-LT - Large turn bar
- 1000-ST - Small thumbturn
- 1000-BR - Blind rose
- 1000-LK - Lever key escutcheon
- 1000-CPE - Euro rim cylinder pull
- 1000-RP - Circular flush pull

For accessories please refer to section 5D



Features:

- Manufactured from Grade 316 steel

Finishes:

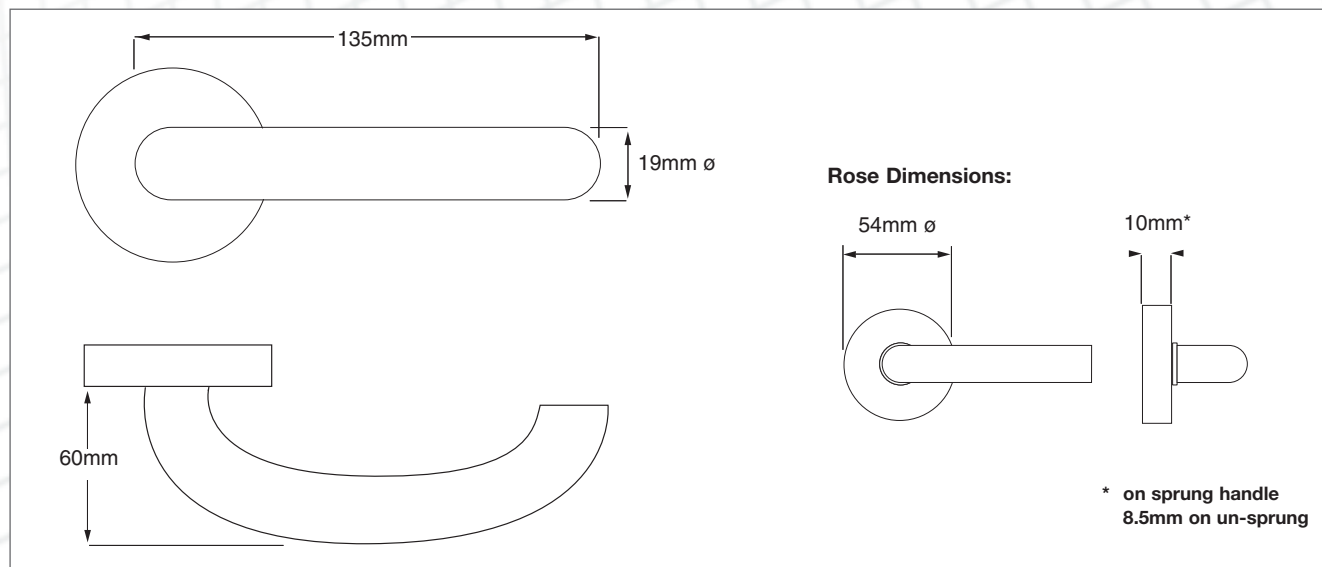
- PS - Polished Stainless Steel
- SS - Satin Stainless Steel

Standards:



Ordering Code Example:

J - 1000RR S 20 PS
(Boxed - Product Code - Springing - Style - Finish)



2000 Series

2000RRS31

Application:

- For wooden doors between 32 and 50mm thick
- Sprung
- Supplied with bolt-through fixings
- Concealed fixings
- Non-handed

Operation:

- Lever handle

Specification:

| | |
|-------------------|-----------|
| Reference | 2000RRS31 |
| Handle Length | 128mm |
| Handle Projection | 62mm |
| Rose Diameter | 54mm |
| Rose Projection | 10mm |

Accessories:

- 1000-OE - Oval escutcheon
- 1000-EE - Euro-profile escutcheon
- 1000-ER - Emergency release
- 1000-T - Standard Thumbturn
- 1000-LT - Large turn bar
- 1000-ST - Small thumbturn
- 1000-BR - Blind rose
- 1000-LK - Lever key escutcheon
- 1000-CPE - Euro rim cylinder pull
- 1000-RP - Circular flush pull

For accessories please refer to section 5D



Features:

- Manufactured from Grade 316 steel
- Cycle tested to 200,000 cycles
- Corrosion testing - 96 hours - EN 1670 Grade 3
- Metal spring cassette construction

Finishes:

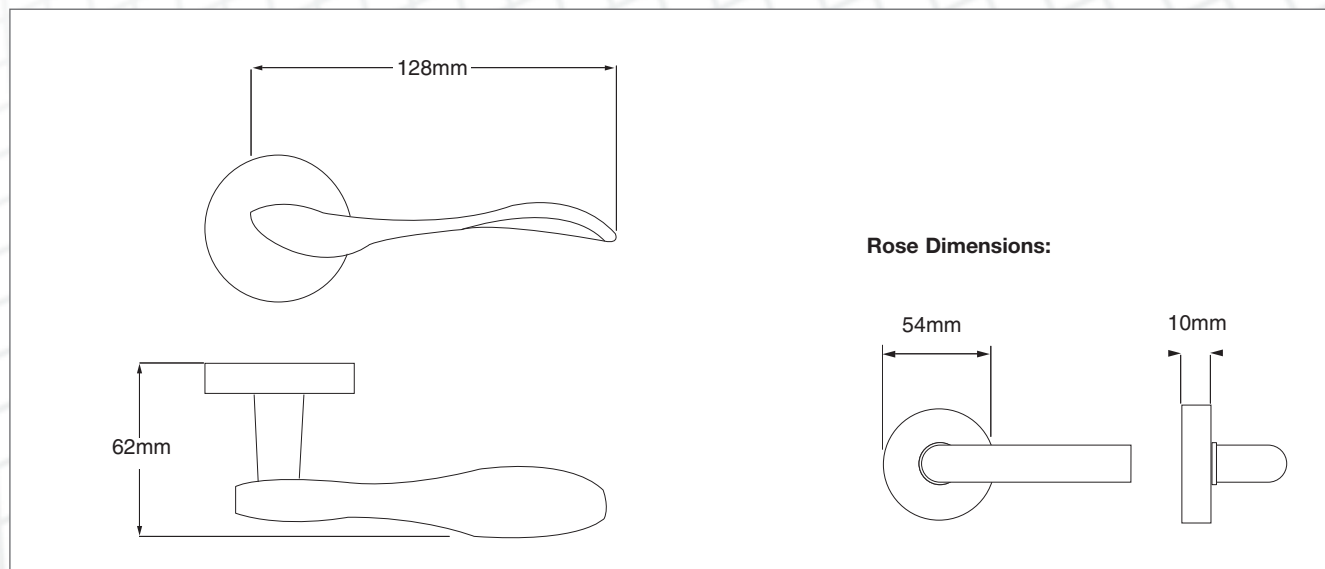
- PS - Polished Stainless Steel
- SS - Satin Stainless Steel

Standards:



Ordering Code Example:

J - 2000RRS31 PS
(Boxed - Product Code - Finish)



Solid Stainless Steel
Lever Furniture -
2000 Series

5B

2000 Series

2000RRS32

Solid Stainless Steel
Lever Furniture -
2000 Series
5B

Application:

- For wooden doors between 32 and 50mm thick
- Sprung
- Supplied with bolt-through fixings
- Concealed fixings
- Non-handed

Operation:

- Lever handle

Specification:

| | |
|-------------------|-----------|
| Reference | 2000RRS32 |
| Handle Length | 135mm |
| Handle Projection | 50mm |
| Rose Diameter | 54mm |
| Rose Projection | 10mm |

Accessories:

- 1000-OE - Oval escutcheon
- 1000-EE - Euro-profile escutcheon
- 1000-ER - Emergency release
- 1000-T - Standard Thumbturn
- 1000-LT - Large turn bar
- 1000-ST - Small thumbturn
- 1000-BR - Blind rose
- 1000-LK - Lever key escutcheon
- 1000-CPE - Euro rim cylinder pull
- 1000-RP - Circular flush pull

For accessories please refer to section 5D



Features:

- Manufactured from Grade 316 steel
- Cycle tested to 200,000 cycles
- Corrosion testing - 96 hours - EN 1670 Grade 3
- Metal spring cassette construction

Finishes:

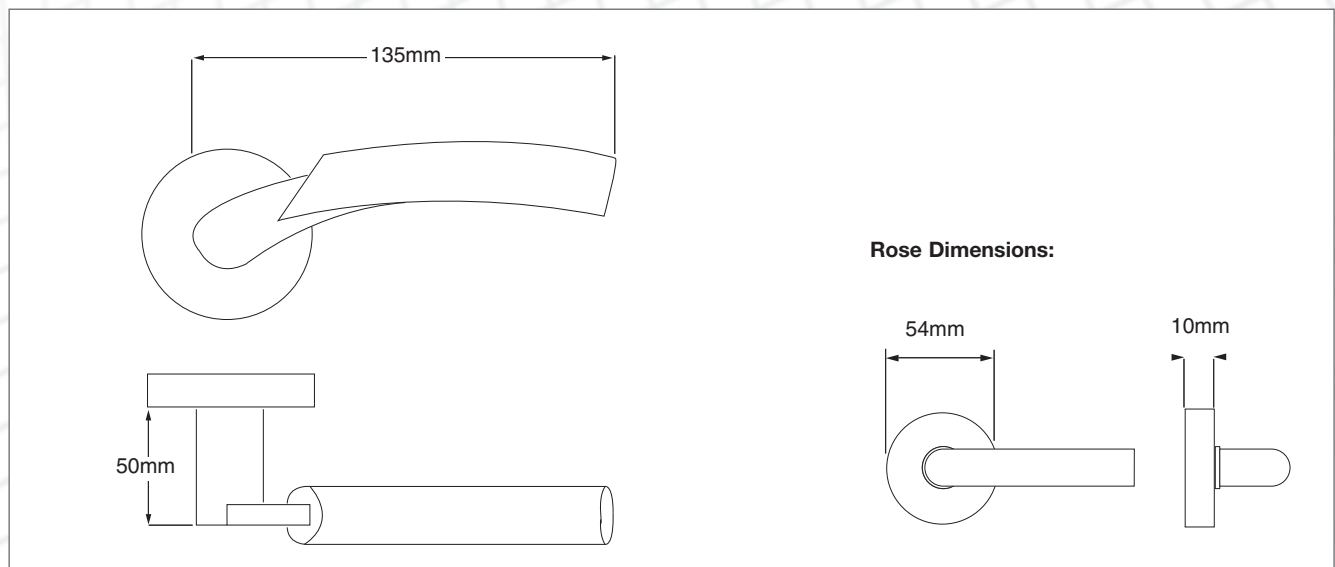
- PS - Polished Stainless Steel
- SS - Satin Stainless Steel

Standards:



Ordering Code Example:

J - 2000RRS32 PS
(Boxed - Product Code - Finish)



2000 Series

2000RRS33

Application:

- For wooden doors between 32 and 50mm thick
- Sprung
- Supplied with bolt-through fixings
- Concealed fixings
- Non-handed

Operation:

- Lever handle

Specification:

| | |
|-------------------|-----------|
| Reference | 2000RRS33 |
| Handle Length | 135mm |
| Handle Projection | 50mm |
| Rose Diameter | 54mm |
| Rose Projection | 10mm |

Accessories:

- 1000-OE - Oval escutcheon
- 1000-EE - Euro-profile escutcheon
- 1000-ER - Emergency release
- 1000-T - Standard Thumbturn
- 1000-LT - Large turn bar
- 1000-ST - Small thumbturn
- 1000-BR - Blind rose
- 1000-LK - Lever key escutcheon
- 1000-CPE - Euro rim cylinder pull
- 1000-RP - Circular flush pull

For accessories please refer to section 5D



Features:

- Manufactured from Grade 316 steel
- Cycle tested to 200,000 cycles
- Corrosion testing - 96 hours - EN 1670 Grade 3
- Metal spring cassette construction

Finishes:

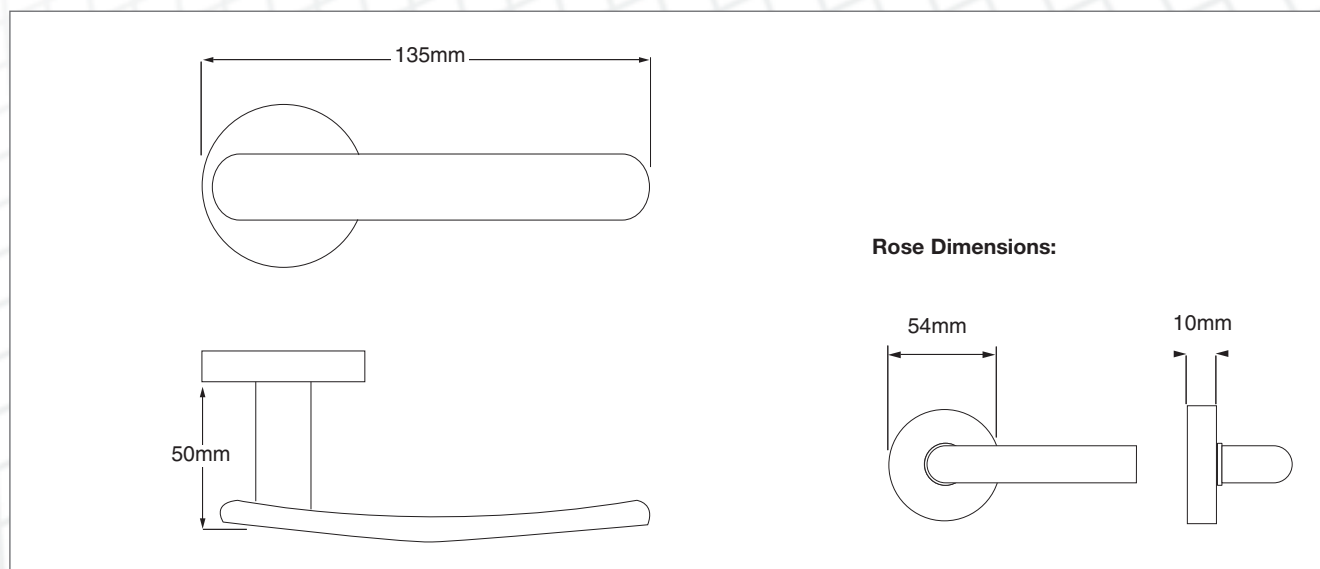
- PS - Polished Stainless Steel
- SS - Satin Stainless Steel

Standards:



Ordering Code Example:

J - 2000RRS33 PS
(Boxed - Product Code - Finish)



2000 Series

2000RRS35

Application:

- For wooden doors between 32 and 50mm thick
- Sprung
- Supplied with bolt-through fixings
- Concealed fixings
- Non-handed

Operation:

- Lever handle

Specification:

| | |
|-------------------|-----------|
| Reference | 2000RRS35 |
| Handle Length | 122mm |
| Handle Projection | 60mm |
| Rose Diameter | 54mm |
| Rose Projection | 10mm |

Accessories:

- 1000-OE - Oval escutcheon
- 1000-EE - Euro-profile escutcheon
- 1000-ER - Emergency release
- 1000-T - Standard Thumbturn
- 1000-LT - Large turn bar
- 1000-ST - Small thumbturn
- 1000-BR - Blind rose
- 1000-LK - Lever key escutcheon
- 1000-CPE - Euro rim cylinder pull
- 1000-RP - Circular flush pull

For accessories please refer to section 5D



Features:

- Manufactured from Grade 316 steel
- Cycle tested to 200,000 cycles
- Corrosion testing - 96 hours - EN 1670 Grade 3
- Metal spring cassette construction

Finishes:

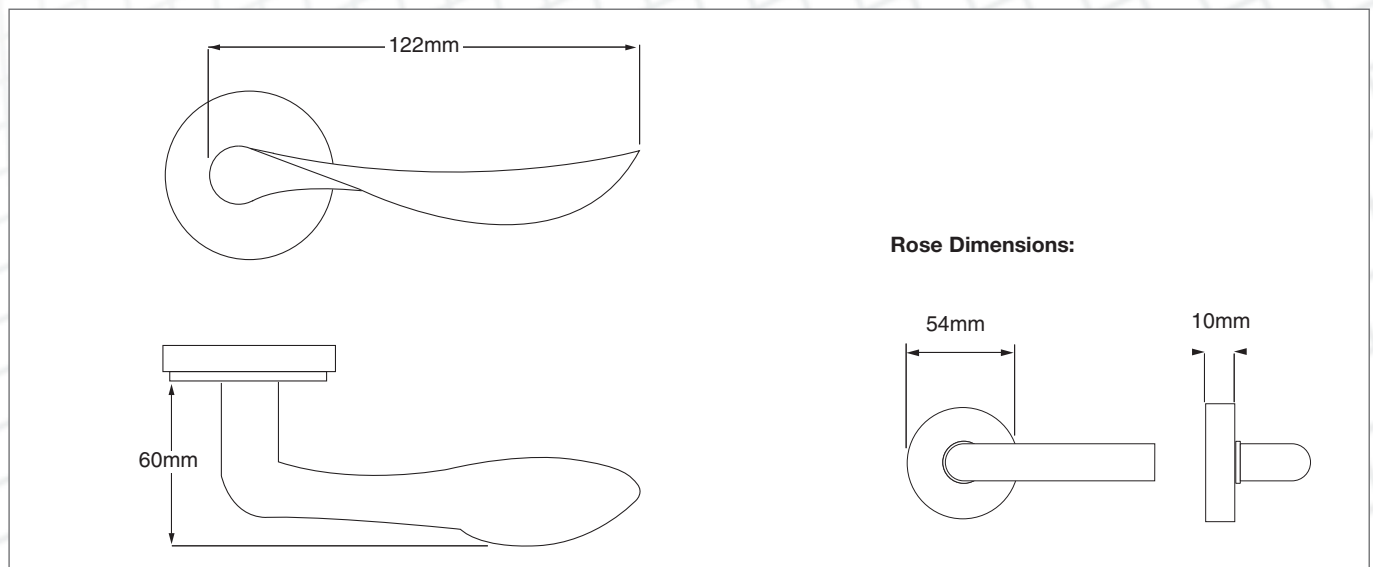
- PS - Polished Stainless Steel
- SS - Satin Stainless Steel

Standards:



Ordering Code Example:

J - 2000RRS35 PS
 (Boxed - Product Code - Finish)



2000 Series

2000RRS36

Application:

- For wooden doors between 32 and 50mm thick
- Sprung
- Supplied with bolt-through fixings
- Concealed fixings
- Non-handed

Operation:

- Lever handle

Specification:

| | |
|-------------------|-----------|
| Reference | 2000RRS36 |
| Handle Length | 120mm |
| Handle Projection | 60mm |
| Rose Diameter | 54mm |
| Rose Projection | 10mm |

Accessories:

- 1000-OE - Oval escutcheon
- 1000-EE - Euro-profile escutcheon
- 1000-ER - Emergency release
- 1000-T - Standard Thumbturn
- 1000-LT - Large turn bar
- 1000-ST - Small thumbturn
- 1000-BR - Blind rose
- 1000-LK - Lever key escutcheon
- 1000-CPE - Euro rim cylinder pull
- 1000-RP - Circular flush pull

For accessories please refer to section 5D



Features:

- Manufactured from Grade 316 steel
- Cycle tested to 200,000 cycles
- Corrosion testing - 96 hours - EN 1670 Grade 3
- Metal spring cassette construction

Finishes:

- PS - Polished Stainless Steel
- SS - Satin Stainless Steel

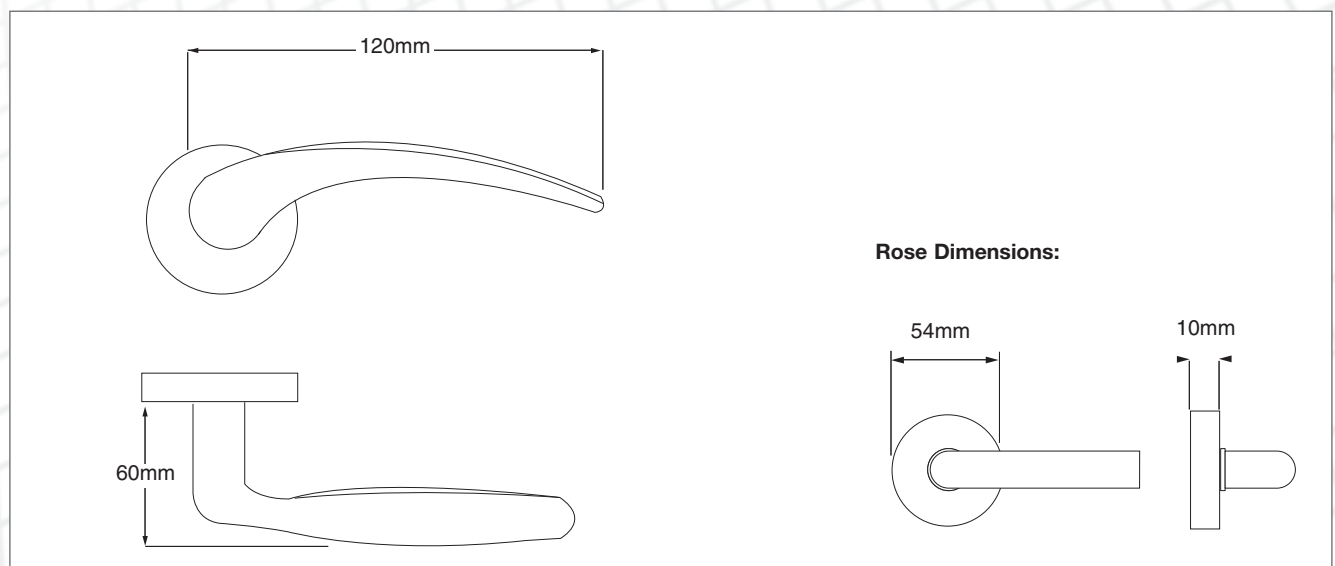
Standards:



Ordering Code Example:

J - 2000RRS36 PS

(Boxed - Product Code - Finish)



2000 Series

2000RRS41

Solid Stainless Steel
Lever Furniture -
2000 Series
5B

Application:

- For wooden doors between 32 and 50mm thick
- Sprung
- Supplied with bolt-through fixings
- Concealed fixings
- Non-handed

Operation:

- Lever handle

Specification:

| | |
|-------------------|-----------|
| Reference | 2000RRS41 |
| Handle Length | 145mm |
| Handle Projection | 60mm |
| Rose Diameter | 54mm |
| Rose Projection | 10mm |

Accessories:

- 1000-OE - Oval escutcheon
- 1000-EE - Euro-profile escutcheon
- 1000-ER - Emergency release
- 1000-T - Standard Thumbturn
- 1000-LT - Large turn bar
- 1000-ST - Small thumbturn
- 1000-BR - Blind rose
- 1000-LK - Lever key escutcheon
- 1000-CPE - Euro rim cylinder pull
- 1000-RP - Circular flush pull

For accessories please refer to section 5D



Features:

- Manufactured from Grade 316 steel
- Cycle tested to 200,000 cycles
- Corrosion testing - 96 hours - EN 1670 Grade 3
- Metal spring cassette construction

Finishes:

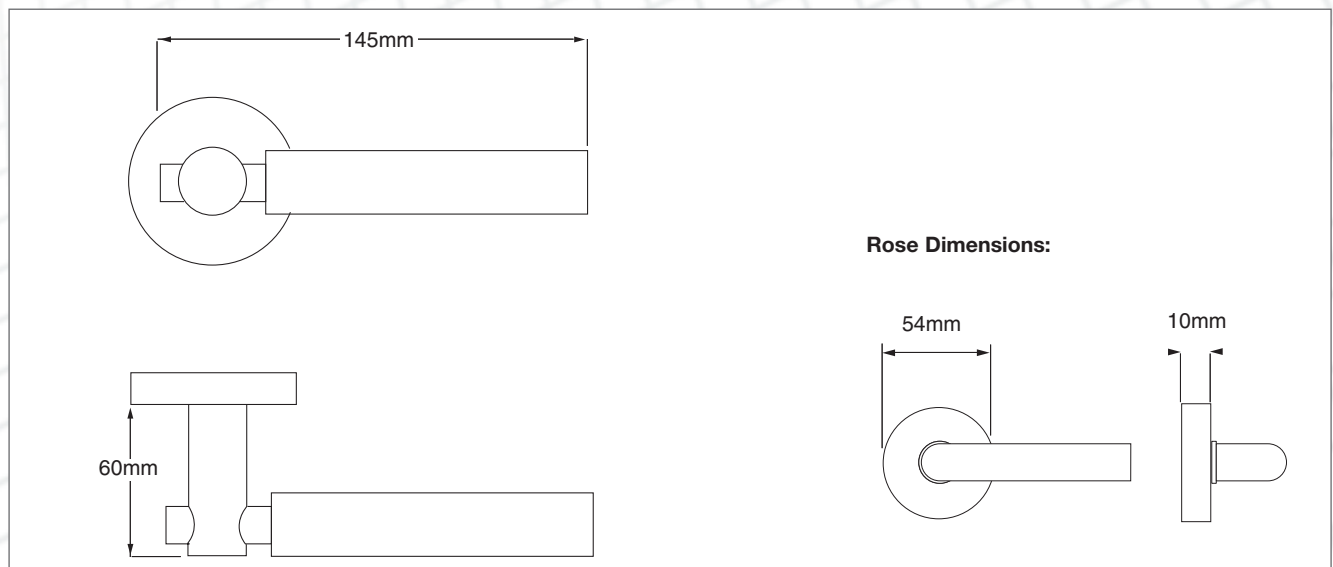
- PS - Polished Stainless Steel
- SS - Satin Stainless Steel

Standards:



Ordering Code Example:

J - 2000RRS41 PS
(Boxed - Product Code - Finish)



2000 Series

2000RRS42

Application:

- For wooden doors between 32 and 50mm thick
- Sprung
- Supplied with bolt-through fixings
- Concealed fixings
- Non-handed

Operation:

- Lever handle

Specification:

| | |
|-------------------|-----------|
| Reference | 2000RRS42 |
| Handle Length | 130mm |
| Handle Projection | 60mm |
| Rose Diameter | 54mm |
| Rose Projection | 10mm |

Accessories:

- 1000-OE - Oval escutcheon
- 1000-EE - Euro-profile escutcheon
- 1000-ER - Emergency release
- 1000-T - Standard Thumbturn
- 1000-LT - Large turn bar
- 1000-ST - Small thumbturn
- 1000-BR - Blind rose
- 1000-LK - Lever key escutcheon
- 1000-CPE - Euro rim cylinder pull
- 1000-RP - Circular flush pull

For accessories please refer to section 5D



Features:

- Manufactured from Grade 316 steel
- Cycle tested to 200,000 cycles
- Corrosion testing - 96 hours - EN 1670 Grade 3
- Metal spring cassette construction

Finishes:

- PS - Polished Stainless Steel
- SS - Satin Stainless Steel

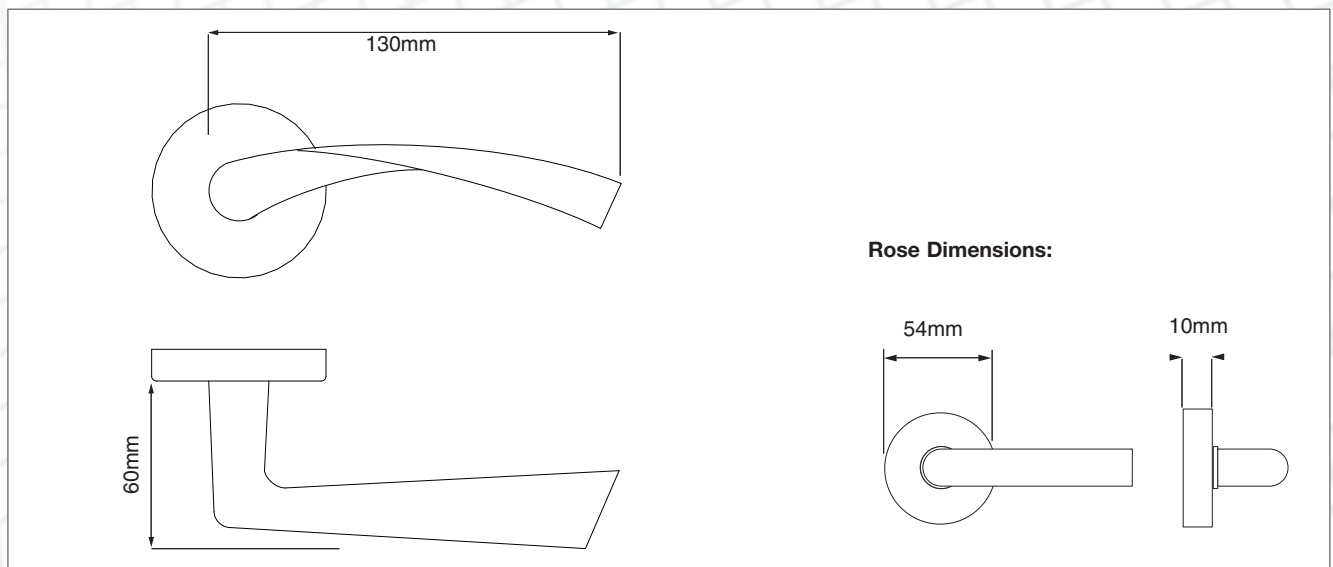
Standards:



Ordering Code Example:

J - 2000RRS42 SS

(Boxed - Product Code - Finish)



2000 Series

2000RRS43

Solid Stainless Steel
Lever Furniture -
2000 Series
5B

Application:

- For wooden doors between 32 and 50mm thick
- Sprung
- Supplied with bolt-through fixings
- Concealed fixings
- Non-handed

Operation:

- Lever handle

Specification:

| | |
|-------------------|-----------|
| Reference | 2000RRS43 |
| Handle Length | 145mm |
| Handle Projection | 60mm |
| Rose Diameter | 54mm |
| Rose Projection | 10mm |

Accessories:

- 1000-OE - Oval escutcheon
- 1000-EE - Euro-profile escutcheon
- 1000-ER - Emergency release
- 1000-T - Standard Thumbturn
- 1000-LT - Large turn bar
- 1000-ST - Small thumbturn
- 1000-BR - Blind rose
- 1000-LK - Lever key escutcheon
- 1000-CPE - Euro rim cylinder pull
- 1000-RP - Circular flush pull

For accessories please refer to section 5D



Features:

- Manufactured from Grade 316 steel
- Cycle tested to 200,000 cycles
- Corrosion testing - 96 hours - EN 1670 Grade 3
- Metal spring cassette construction

Finishes:

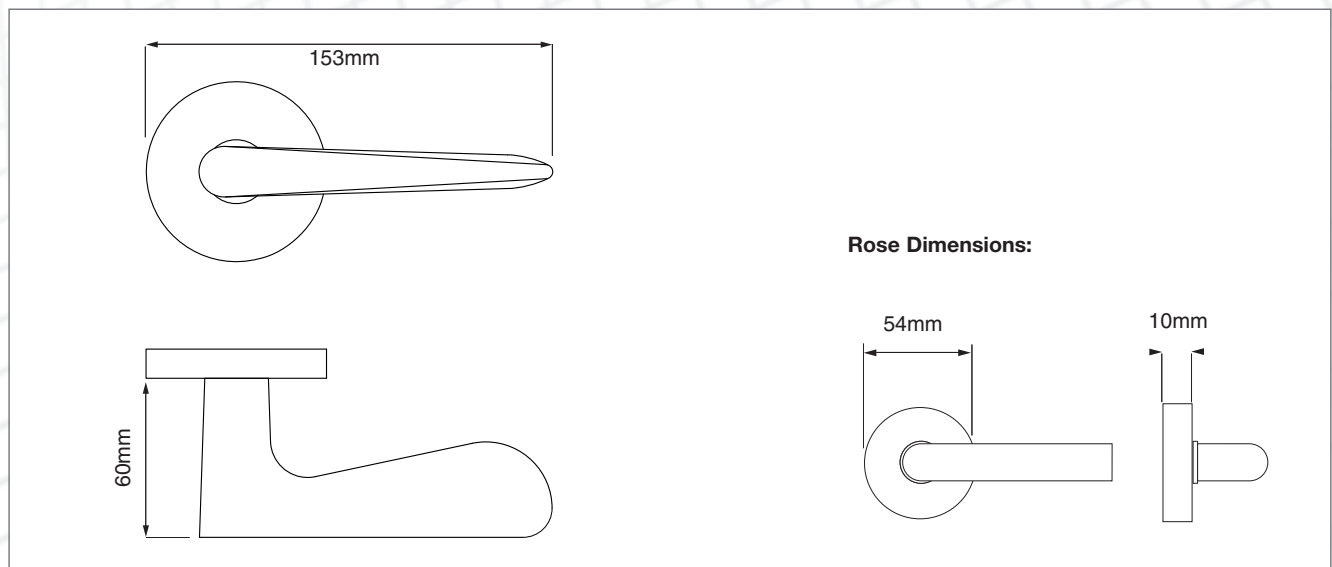
- SS - Satin Stainless Steel

Standards:



Ordering Code Example:

J - 2000RRS43 SS
(Boxed - Product Code - Finish)



Single Pull Handle

PH01X

Application:

- Suitable for use on wooden doors
- Available in 4 handle lengths
- Bolt-through fixing

Specification:

| | |
|-----------------|-------------------------|
| Reference | PH01X |
| Handle Diameter | 19mm |
| Handle Length | 150, 225, 300 and 425mm |

Features:

- Manufactured from Grade 316 steel



Finishes:

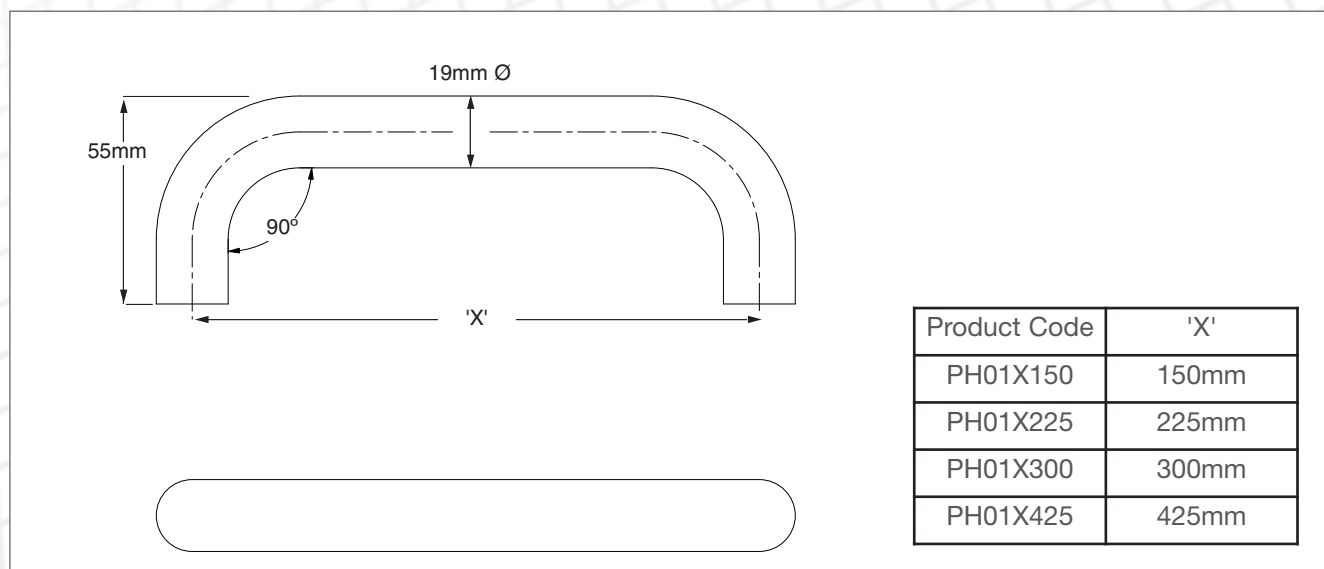
- PS - Polished Stainless Steel
- SS - Satin Stainless Steel

Standards:



Ordering Code Example:

J - PH01X 150 PS
(Boxed - Product Code - Size - Finish)



Single Pull Handle with Rose

PH01RX

Application:

- Suitable for use on wooden doors
- Available in 4 handle lengths
- Concealed face fixing

Specification:

| | |
|-----------------|-------------------------|
| Reference | PH01RX |
| Handle Diameter | 19mm |
| Handle Length | 150, 225, 300 and 425mm |

Features:

- Manufactured from Grade 316 steel



Finishes:

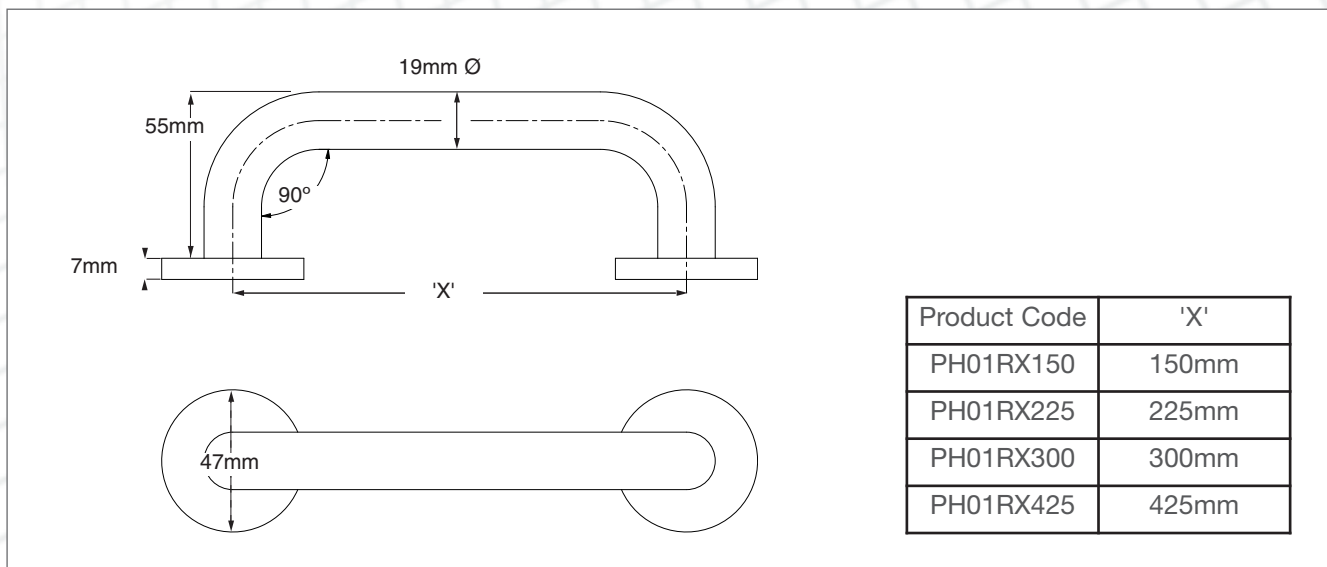
- PS - Polished Stainless Steel
 - SS - Satin Stainless Steel
- 425mm variant only available in SS finish

Standards:



Ordering Code Example:

J - PH01RX 150 PS
(Boxed - Product Code - Size - Finish)



Decorative Pull Handle

PH02X

Application:

- Suitable for use on wooden doors
- Available in 2 handle lengths
- Bolt-through fixing

Specification:

| | |
|-----------------------|--|
| Reference | PH02X |
| Handle Diameter | 19mm |
| Handle Length | 300 and 500mm |
| Fixing Point Distance | 300mm handle - 200mm 500mm handle - 400mm |

Features:

- Manufactured from Grade 316 steel



Finishes:

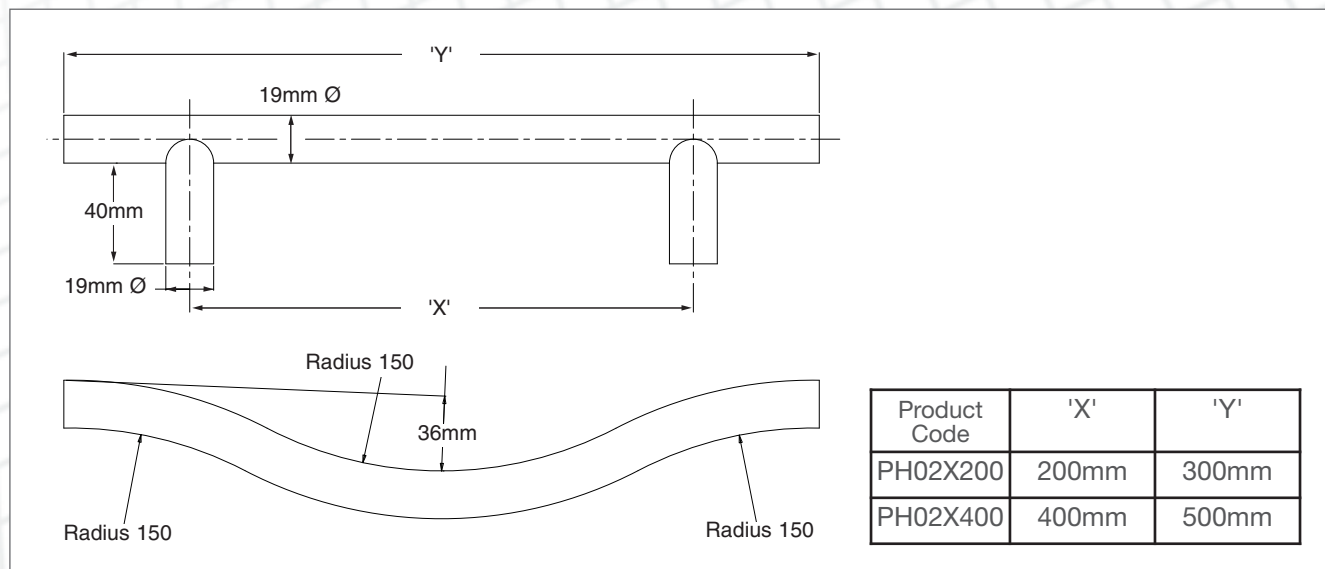
- PS - Polished Stainless Steel
- SS - Satin Stainless Steel

Standards:



Ordering Code Example:

J - PH02X 200 PS
(Boxed - Product Code - Size - Finish)



Back to Back Pull Handle

PH03

Application:

- Suitable for use on frameless glass, aluminium and wooden doors
- Available in 2 diameters
- Back to back fixing

Specification:

| | |
|-----------------|------------|
| Reference | PH03 |
| Handle Diameter | 19 or 22mm |
| Handle Length | 425mm |

Features:

- Manufactured from Grade 316 steel



Finishes:

- PS - Polished Stainless Steel
- SS - Satin Stainless Steel

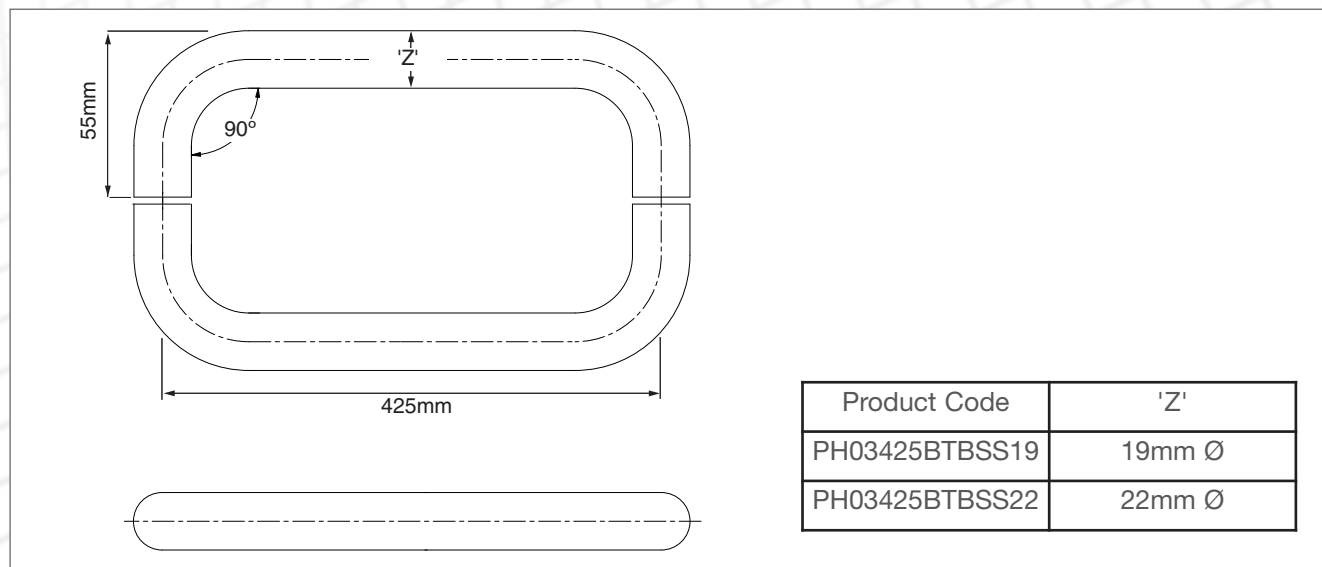
Standards:



Ordering Code Example:

J - PH03 425 BTB SS 19

(Boxed - Product Code - Size - Fixing - Finish - Diameter)



Back to Back Pull Handle

PH03X

Application:

- Suitable for use on frameless glass, aluminium and wooden doors
- Available in 2 handle lengths
- Back to back fixing

Specification:

| | |
|-----------------|--------------|
| Reference | PH03X |
| Handle Diameter | 32mm |
| Handle Length | 300 or 450mm |

Features:

- Manufactured from Grade 316 steel



Finishes:

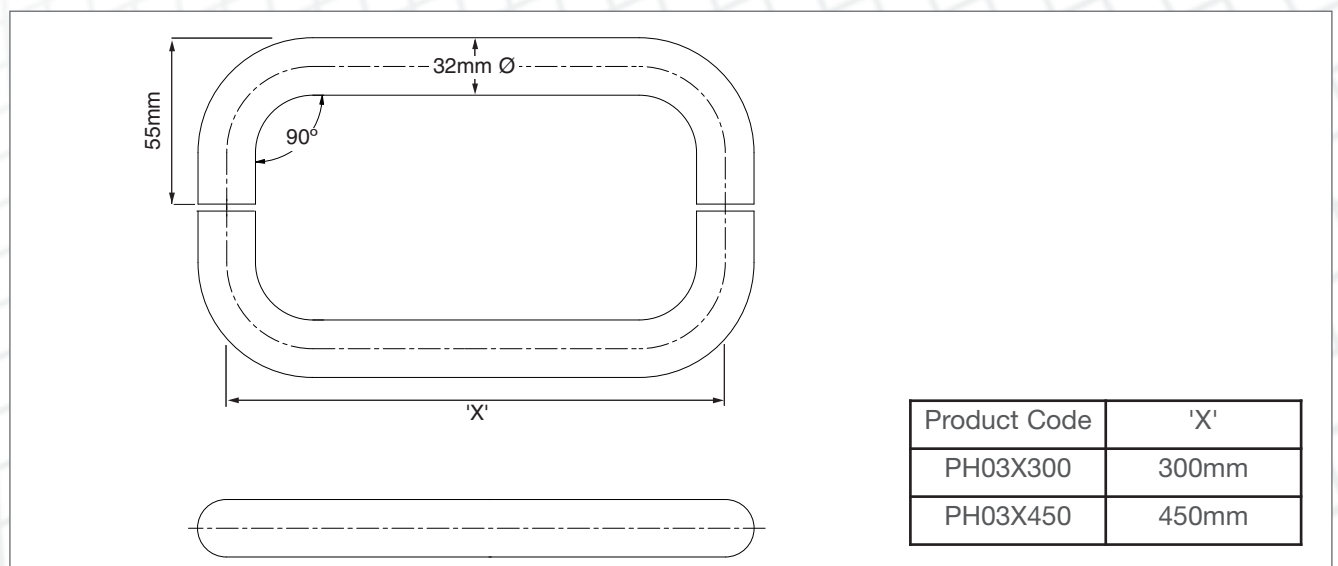
- PS - Polished Stainless Steel
- SS - Satin Stainless Steel

Standards:



Ordering Code Example:

J - PH03X 300 BTB SS
(Boxed - Product Code - Size - Fixing - Finish)



Back to Back Pull Handle

PH04X

Application:

- Suitable for use on frameless glass, aluminium and wooden doors
- Available in 2 handle lengths
- Back to back fixing

Specification:

| | |
|-----------------------|--|
| Reference | PH04X |
| Handle Diameter | 32mm |
| Handle Length | 450 or 600mm |
| Fixing Point Distance | 450mm handle - 300mm 600mm handle - 450mm |

Features:

- Manufactured from Grade 316 steel



Finishes:

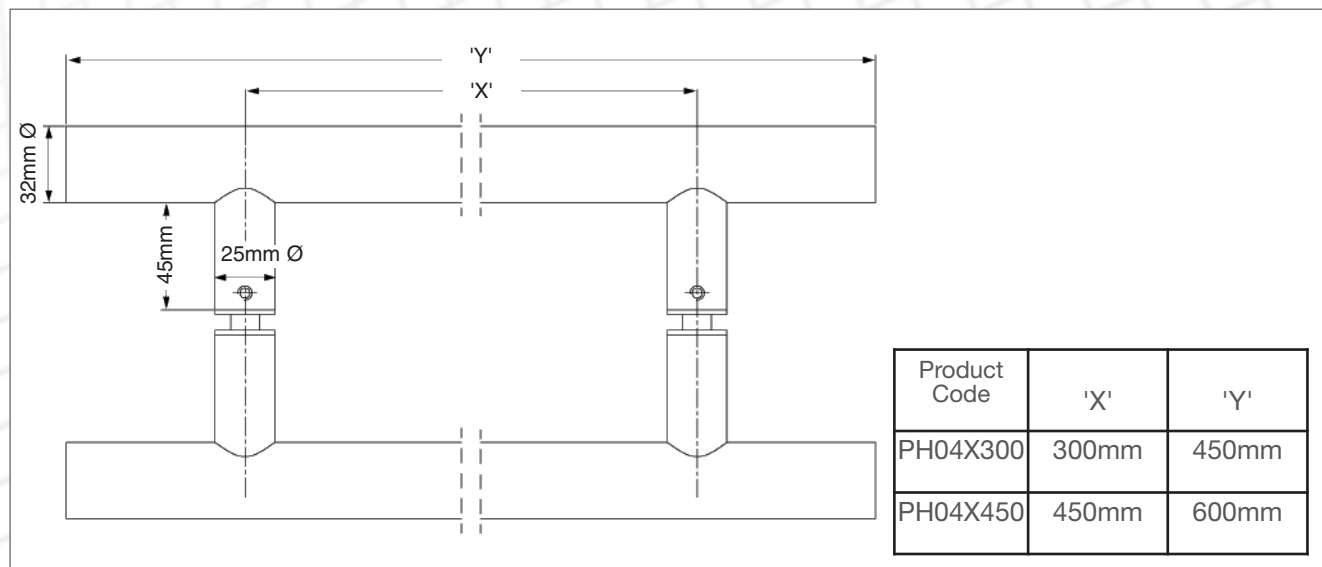
- PS - Polished Stainless Steel
- SS - Satin Stainless Steel

Standards:



Ordering Code Example:

J - PH04X 300 BTB SS
(Boxed - Product Code - Size - Fixing - Finish)



Back to Back Pull Handle

PH05X

Application:

- Suitable for use on frameless glass, aluminium and wooden doors
- Back to back fixing

Specification:

| | |
|-----------------|-------|
| Reference | PH05X |
| Handle Diameter | 32mm |
| Handle Length | 300mm |

Features:

- Manufactured from Grade 316 steel



Finishes:

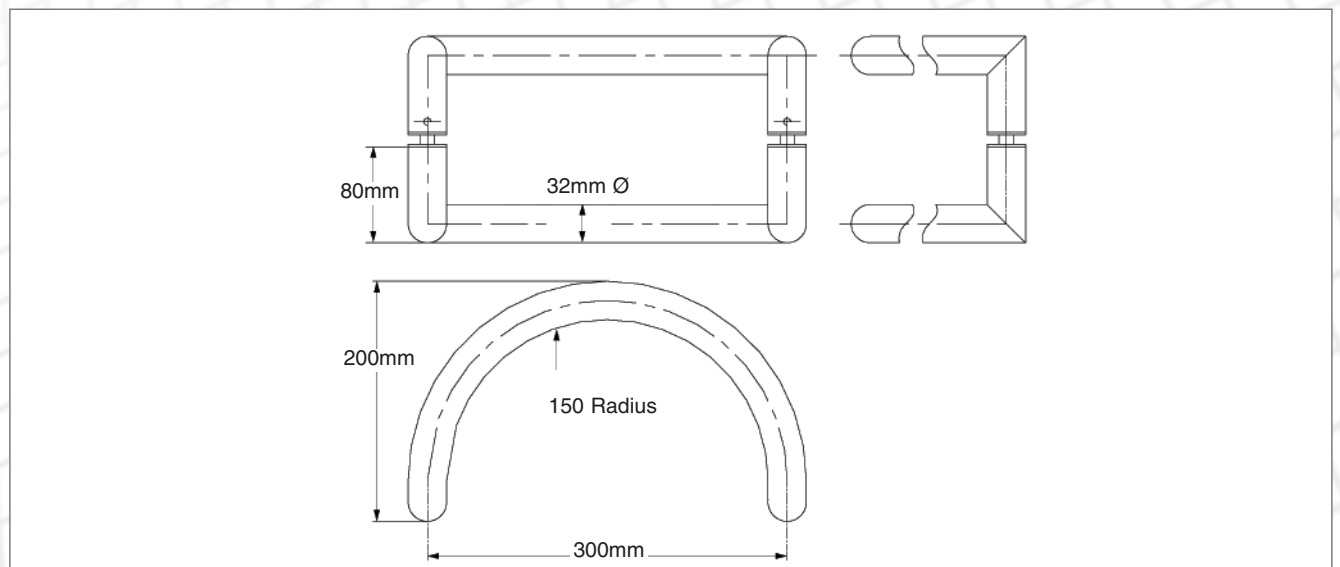
- PS - Polished Stainless Steel
- SS - Satin Stainless Steel

Standards:



Ordering Code Example:

J - PH05X 300 BTB SS
 (Boxed - Product Code - Size - Fixing - Finish)



5C Stainless Steel Pull Handles

Back to Back Pull Handle

PH06X

Application:

- Suitable for use on frameless glass, aluminium and wooden doors
- Back to back fixing

Specification:

| | |
|-----------------|-------|
| Reference | PH06X |
| Handle Diameter | 32mm |
| Handle Length | 300mm |

Features:

- Manufactured from Grade 316 steel



Finishes:

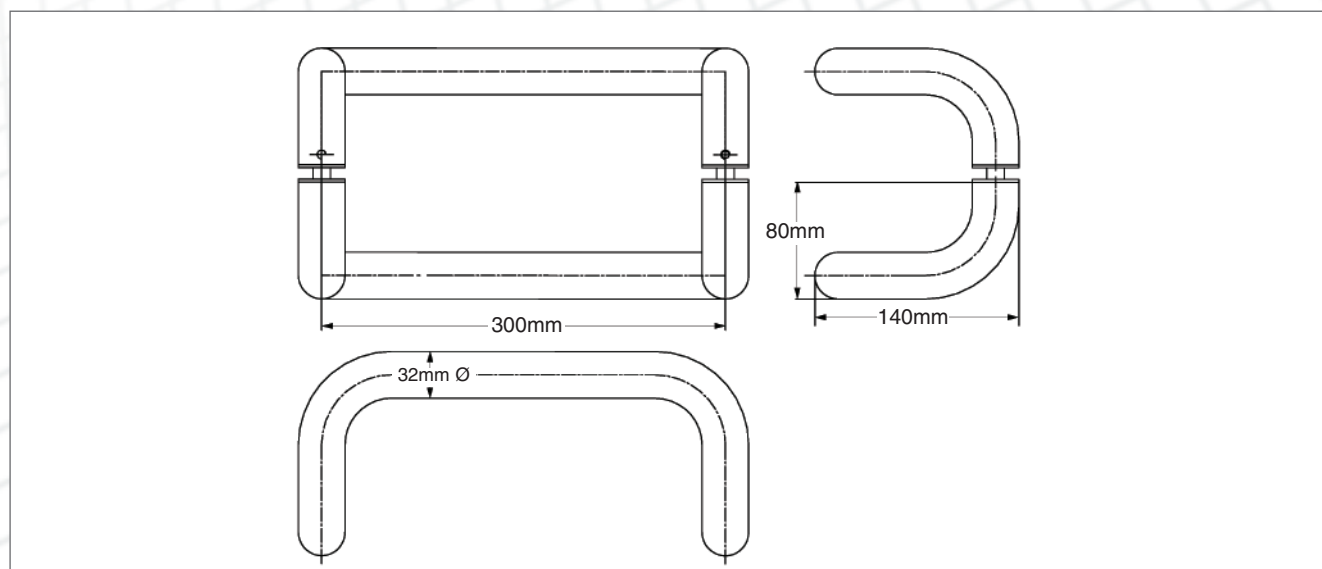
- PS - Polished Stainless Steel
- SS - Satin Stainless Steel

Standards:



Ordering Code Example:

J - PH06X 300 BTB SS
(Boxed - Product Code - Size - Fixing - Finish)



Stainless Steel Pull Handles

Single Pull Handle

PH07X

Application:

- Suitable for use on wooden doors
- Available in 3 handle lengths
- Bolt-through fixing

Specification:

| | |
|-----------------|--------------------|
| Reference | PH07X |
| Handle Diameter | 22mm |
| Handle Length | 225, 300 and 425mm |

Features:

- Manufactured from Grade 316 steel



5C
Stainless Steel
Pull Handles

Finishes:

- PS - Polished Stainless Steel
 - SS - Satin Stainless Steel
- 425mm variant only available in SS finish

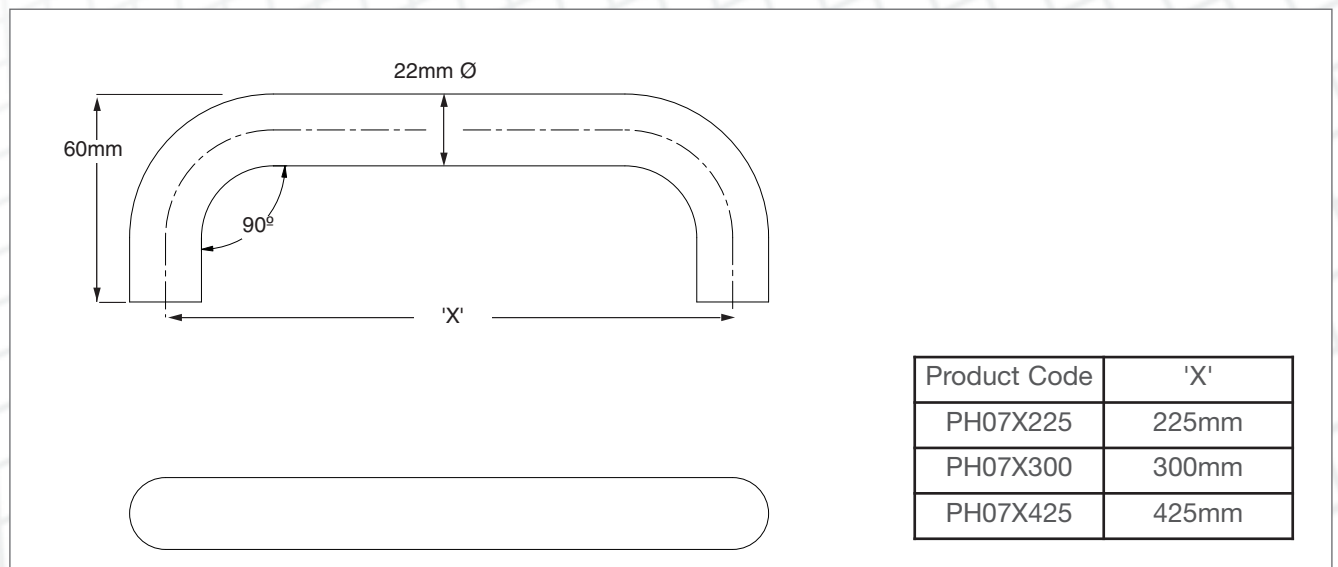
Standards:



- Assists in fulfilling duties required under the Disability Discrimination Act (DDA). Satisfies recommendations of BS8300 and Approved Document M (ADM) - subject to use on a contrasting background.

Ordering Code Example:

J - PH07X 225 PS
(Boxed - Product Code - Size - Finish)



| Product Code | 'X' |
|--------------|-------|
| PH07X225 | 225mm |
| PH07X300 | 300mm |
| PH07X425 | 425mm |

Stainless Steel Pull Handles

Single Pull Handle with Rose

PH07RX

Application:

- Suitable for use on wooden doors
- Available in 3 handle lengths
- Concealed face fixing

Specification:

| | |
|-----------------|--------------------|
| Reference | PH07RX |
| Handle Diameter | 22mm |
| Handle Length | 225, 300 and 425mm |

Features:

- Manufactured from Grade 316 steel



Finishes:

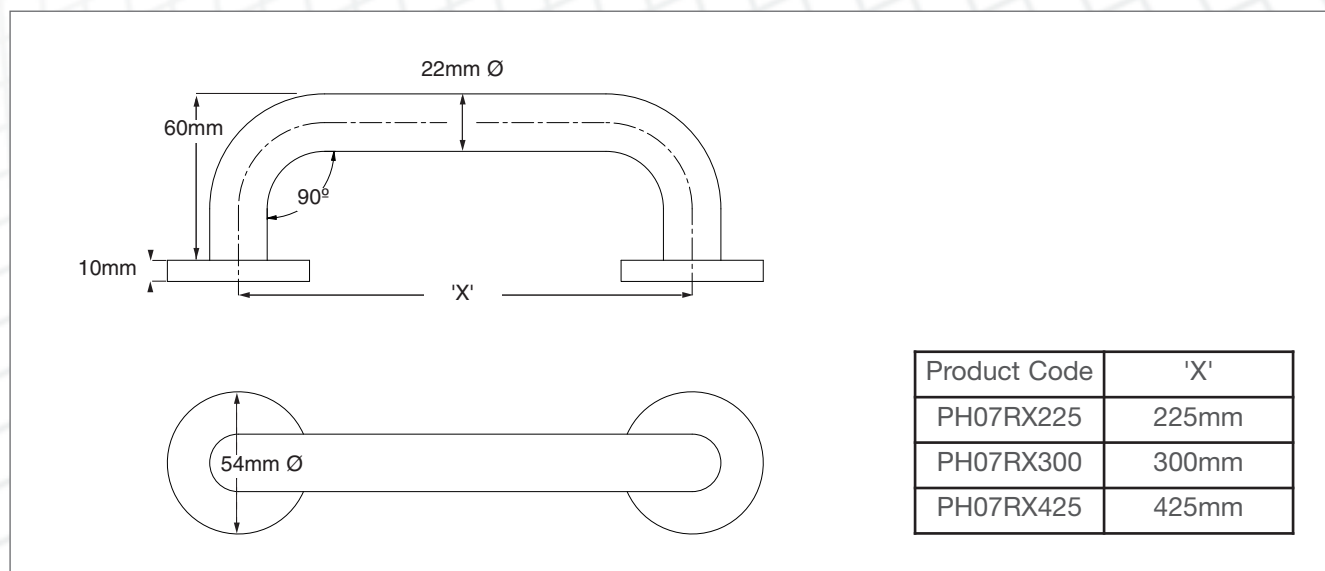
- PS - Polished Stainless Steel
 - SS - Satin Stainless Steel
- 425mm variant only available in SS finish

Standards:



Ordering Code Example:

J - PH07RX 225 PS
(Boxed - Product Code - Size - Finish)



| Product Code | 'X' |
|--------------|-------|
| PH07RX225 | 225mm |
| PH07RX300 | 300mm |
| PH07RX425 | 425mm |

1000 Series - Euro Profile Cylinder Door Pull

1000CPE

Application:

- Euro profile cylinder rim pull
- Suitable for euro profile mortice lock

Specification:

| | |
|------------|---------|
| Reference | 1000CPE |
| Width | 50mm |
| Height | 94mm |
| Projection | 28mm |

Features:

- Manufactured from Grade 316 steel

Finishes:

- PS - Polished Stainless Steel
- SS - Satin Stainless Steel



Ordering Code Example:

J - 1000 CPE PS
(Boxed - Product Code - Style - Finish)

1000 Series - Circular Flush Pull

1000RP

Application:

- Circular flush pull
- Suitable for wooden sliding doors

Specification:

| | |
|------------|--------|
| Reference | 1000RP |
| Diameter | 54mm |
| Projection | 10mm |

Features:

- Manufactured from Grade 316 steel

Finishes:

- PS - Polished Stainless Steel
- SS - Satin Stainless Steel



Ordering Code Example:

J - 1000 RP PS
(Boxed - Product Code - Style - Finish)

1000 Series - Blind Rose

1000BR/SRBR

Application:

- Blind rose
- Suitable for installation of 1000 series half lever sets
- Concealed fixings

Specification:

| | |
|------------|---------------------------------|
| Reference | 1000BR/1000SRBR |
| Diameter | 54mm |
| Projection | 1000BR - 10mm 1000SRBR - 5mm |

Features:

- Manufactured from Grade 316 steel

Finishes:

- PS - Polished Stainless Steel
- SS - Satin Stainless Steel



Ordering Code Example:

J - 1000 BR PS (10mm projection)
 J - 1000 SRBR PS (5mm projection)
 (Boxed - Product Code - Style - Finish)

1000 Series - Lever Key Escutcheon

1000LK

Application:

- Lever key escutcheon
- Suitable for use with rim or mortice locks
- Concealed fixings

Specification:

| | |
|------------|--------|
| Reference | 1000LK |
| Diameter | 54mm |
| Projection | 10mm |

Features:

- Manufactured from Grade 316 steel

Finishes:

- PS - Polished Stainless Steel
- SS - Satin Stainless Steel



Ordering Code Example:

J - 1000 LK PS
 (Boxed - Product Code - Style - Finish)

1000 Series - Euro Profile Escutcheon 1000EE/SREE

Application:

- Euro profile escutcheon
- Suitable for use with euro profile locks
- Concealed fixings

Specification:

| | |
|------------|---------------------------------|
| Reference | 1000EE |
| Diameter | 54mm |
| Projection | 1000EE - 10mm 1000SREE - 5mm |

Features:

- Manufactured from Grade 316 steel

Finishes:

- PS - Polished Stainless Steel
- SS - Satin Stainless Steel



Ordering Code Example:

J - 1000 EE PS (10mm projection)
 J - 1000 SREE PS (5mm projection)
 (Boxed - Product Code - Style - Finish)

5D Stainless Steel Accessories

1000 Series - Oval-profile Escutcheon 1000OE

Application:

- Oval-profile escutcheon
- Suitable for use with oval-profile locks
- Concealed fixings

Specification:

| | |
|------------|--------|
| Reference | 1000OE |
| Diameter | 54mm |
| Projection | 10mm |

Features:

- Manufactured from Grade 316 steel

Finishes:

- PS - Polished Stainless Steel
- SS - Satin Stainless Steel



Ordering Code Example:

J - 1000 OE PS
 (Boxed - Product Code - Style - Finish)

1000 Series - Emergency Release

1000ER/SRER

Application:

- Emergency release
- Suitable for use where an emergency function is required
- Concealed fixings

Specification:

| | |
|------------|---------------------------------|
| Reference | 1000ER |
| Diameter | 54mm |
| Projection | 1000ER - 10mm 1000SRER - 5mm |

Features:

- Manufactured from Grade 316 steel

Finishes:

- PS - Polished Stainless Steel
- SS - Satin Stainless Steel



Ordering Code Example:

J - 1000 ER PS (10mm projection)
 J - 1000 SRER PS (5mm projection)
 (Boxed - Product Code - Style - Finish)

1000 Series - Large Turn Bar

1000LT/SRLT

Application:

- Large turn bar
- Suitable for use on bathrooms
- Concealed fixings

Specification:

| | |
|------------|---------------------------------|
| Reference | 1000LT |
| Diameter | 54mm |
| Projection | 1000LT - 10mm 1000SRLT - 5mm |

Features:

- Manufactured from Grade 316 steel

Finishes:

- PS - Polished Stainless Steel
- SS - Satin Stainless Steel



Ordering Code Example:

J - 1000 LT PS (10mm projection)
 J - 1000 SRLT PS (5mm projection)
 (Boxed - Product Code - Style - Finish)

1000 Series - Standard Thumbturn

1000T/SRT

Application:

- Standard thumbturn
- Suitable for use on bathrooms

Specification:

| | |
|------------|---------------|
| Reference | 1000T |
| Diameter | 54mm |
| Projection | 1000T - 10mm |
| | 1000SRT - 5MM |

Features:

- Manufactured from Grade 316 steel

Finishes:

- PS - Polished Stainless Steel
- SS - Satin Stainless Steel



Ordering Code Example:

J - 1000 T PS (10mm projection)
 J - 1000 SRT PS (5mm projection)
 (Boxed - Product Code - Style - Finish)

1000 Series - Small Thumbturn

1000ST

Application:

- Small thumbturn
- Suitable for use on bathrooms
- Concealed fixings

Specification:

| | |
|------------|--------|
| Reference | 1000ST |
| Diameter | 54mm |
| Projection | 10mm |

Features:

- Manufactured from Grade 316 steel

Finishes:

- PS - Polished Stainless Steel
- SS - Satin Stainless Steel



Ordering Code Example:

J - 1000 ST PS
 (Boxed - Product Code - Style - Finish)

Stainless Steel Accessories

Flush Bolt - 150mm to 450mm

8060

Application:

- Flush bolt

Specification:

| | |
|-----------------|--|
| Reference | 8060-150 - 150mm 8060-200 - 200mm 8060-300 - 300mm 8060-450 - 450mm |
| Width | 20.5mm |
| Length | 150mm, 200mm, 300mm, 450mm |
| Depth | 22.5mm |
| Bolt Projection | 15mm |
| Material | Aluminium |



Finishes:

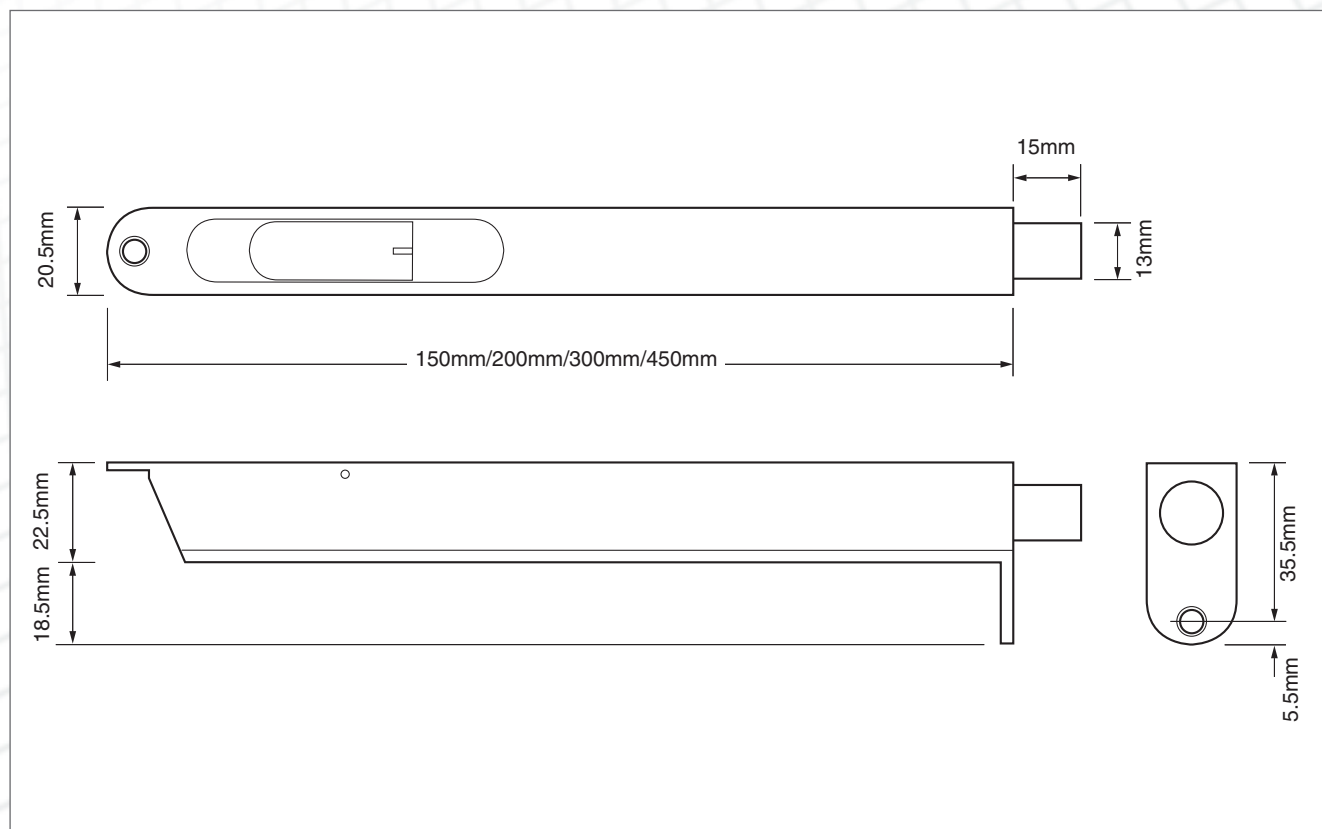
- PA - Polished Aluminium
- PL - Polished Brass
- PS - Polished Stainless Steel
- SA - Satin Aluminium
- SS - Satin Stainless Steel

Ordering Code Example:

J - 8060 150 PA
(Boxed - Product Code - Size - Finish)

Standards:

Included in a successful fire test to BS476 Part 22 to 30 minutes



Signage - Baby Change

BC200

Application:

- Screw on design
- Stainless steel accessory
- For wooden doors only

Specification:

Reference BC200
 Diameter 75mm

Features:

- Manufactured from Grade 316 steel

Finishes:

- PS - Polished Stainless Steel
- SS - Satin Stainless Steel



Ordering Code Example:

J - BC200 SS
 (Boxed - Product Code - Finish)

5D Stainless Steel Accessories

Signage - Unisex

US200

Application:

- Screw on design
- Stainless steel accessory
- For wooden doors only

Specification:

Reference US200
 Diameter 75mm

Features:

- Manufactured from Grade 316 steel

Finishes:

- PS - Polished Stainless Steel
- SS - Satin Stainless Steel



Ordering Code Example:

J - US200 SS
 (Boxed - Product Code - Finish)

Signage - Female

FS200

Application:

- Screw on design
- Stainless steel accessory
- For wooden doors only

Specification:

Reference FS200
Diameter 75mm

Features:

- Manufactured from Grade 316 steel

Finishes:

- PS - Polished Stainless Steel
- SS - Satin Stainless Steel



Ordering Code Example:

J - FS200 SS
(Boxed - Product Code - Finish)

Signage - Male

MS200

Application:

- Screw on design
- Stainless steel accessory
- For wooden doors only

Specification:

Reference MS200
Diameter 75mm

Features:

- Manufactured from Grade 316 steel

Finishes:

- PS - Polished Stainless Steel
- SS - Satin Stainless Steel



Ordering Code Example:

J - MS200 SS
(Boxed - Product Code - Finish)

Signage - Access

WS200

Application:

- Screw on design
- Stainless steel accessory
- For wooden doors only

Specification:

Reference WS200
Diameter 75mm

Features:

- Manufactured from Grade 316 steel

Finishes:

- PS - Polished Stainless Steel
- SS - Satin Stainless Steel



Ordering Code Example:

J - WS200 SS
(Boxed - Product Code - Finish)

Signage - Shower

SS200

Application:

- Screw on design
- Stainless steel accessory
- For wooden doors only

Specification:

Reference SS200
Diameter 75mm

Features:

- Manufactured from Grade 316 steel

Finishes:

- PS - Polished Stainless Steel
- SS - Satin Stainless Steel



Ordering Code Example:

J - SS200 SS
(Boxed - Product Code - Finish)

Signage - Pull

PL200

Application:

- Screw on design
- Stainless steel accessory
- For wooden doors only

Specification:

| | |
|-----------|-------|
| Reference | PL200 |
| Diameter | 75mm |

Features:

- Manufactured from Grade 316 steel

Finishes:

- PS - Polished Stainless Steel
- SS - Satin Stainless Steel



Ordering Code Example:

J - PL200 SS
(Boxed - Product Code - Finish)

Signage - Push

PS200

Application:

- Screw on design
- Stainless steel accessory
- For wooden doors only

Specification:

| | |
|-----------|-------|
| Reference | PS200 |
| Diameter | 75mm |

Features:

- Manufactured from Grade 316 steel

Finishes:

- PS - Polished Stainless Steel
- SS - Satin Stainless Steel



Ordering Code Example:

J - PS200 SS
(Boxed - Product Code - Finish)

Floor Mounted Doorstop

DS100

Application:

- Floor mounted
- Screw in design
- Stainless steel accessory

Specification:

Reference DS100
 Measurements 45 x 24mm

Features:

- Manufactured from Grade 316 steel

Finishes:

- PS - Polished Stainless Steel complete with black rubber buffer
- SS - Satin Stainless Steel complete with black rubber buffer



Ordering Code Example:

J - DS100 SS
 (Boxed - Product Code - Finish)

Floor Mounted Doorstop

DS101

Application:

- Floor mounted
- Screw in design
- Stainless steel accessory

Specification:

Reference DS101
 Measurements 25 x 30mm

Features:

- Manufactured from Grade 316 steel

Finishes:

- PS - Polished Stainless Steel complete with black rubber buffer
- SS - Satin Stainless Steel complete with black rubber buffer



Ordering Code Example:

J - DS101 SS
 (Boxed - Product Code - Finish)

Wall Mounted Doorstop

DS102

Application:

- Wall mounted
- Screw in design
- Stainless steel accessory

Specification:

Reference DS102
 Measurements 19 x 90mm

Features:

- Manufactured from Grade 316 steel

Finishes:

- PS - Polished Stainless Steel complete with black rubber buffer
- SS - Satin Stainless Steel complete with black rubber buffer



Ordering Code Example:

J - DS102 SS
 (Boxed - Product Code - Finish)

Hat/Coat Hook

HC100

Application:

- Wall mounted
- Screw in design
- Stainless steel accessory

Specification:

Reference HC100

Features:

- Manufactured from Grade 316 steel

Finishes:

- PS - Polished Stainless Steel complete with black rubber buffer
- SS - Satin Stainless Steel complete with black rubber buffer



Ordering Code Example:

J - HC100 SS
 (Boxed - Product Code - Finish)