



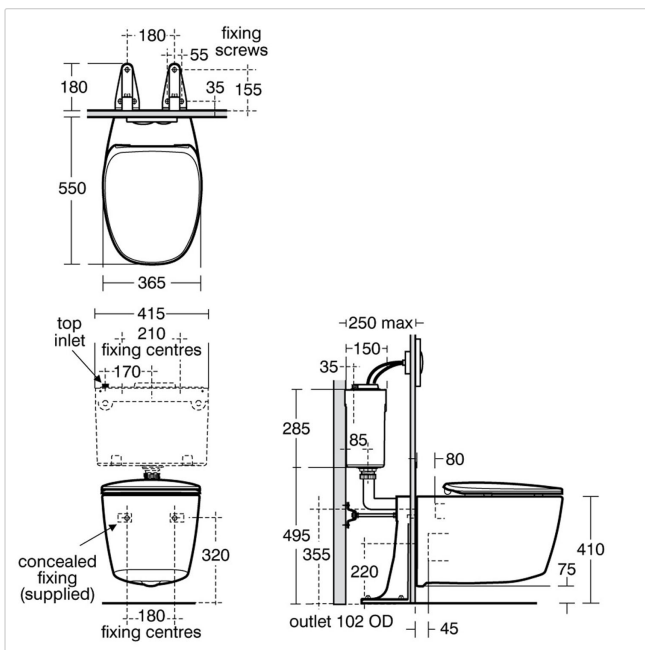
Dea Wall mounted WC pan with Aquablade technology

Illustrated

- T3486** Dea Wall mounted WC pan with horizontal outlet with Aquablade technology
- S3643** Conceala 2 cistern 4.5/3 or 4/2.6 litre dual flush valve side supply and internal overflow, alternative height plastic flushbends, no flushplate
- T6767** Dea seat and cover - slow close
- E4463** Karisma flush plate dual flush, chrome, unbranded
- E0060** Support frame with bolts for wall hung WC pans

Configuration options

- S3624** Conceala 2 cistern 6/4 litre dual flush valve top inlet and internal overflow, alternative height plastic flushbends
- T6766** Dea seat and cover - standard close



Material

Vitreous China

Weights

T3486	23.50KG
S3643	2.60KG
T6767	2.00KG
E4463	0.20KG
E0060	4.28KG

Special Notes

E0060 support brackets secured to floor within the duct. WC fixed to support brackets with hidden fixing set provided. Joint sealed with waterproof sealant (not supplied). Can be used with Dea furniture WC units.

Designer

Dick Powell

Colours

White (01)
Matt White (83)

Frequently used applications

Office Residential

Accreditations

Water Label



Email: info@idealspec.co.uk
Tel: 0870 122 8822
Fax: 0870 122 8282
Web: www.idealspec.co.uk

