



## Stop Bollard

Part of the Metro 40 range, Stop is an attractive bollard designed to provide traffic control. The beveled-edge cast aluminium tapered sleeve provides crisp cover for an internal structural steel post. Optional wired LED lighting sits discreetly atop the post and reflects softly from the underside of the sleeve.

### Specification:

#### Materials:

Cast Aluminium. Steel.

#### Finish:

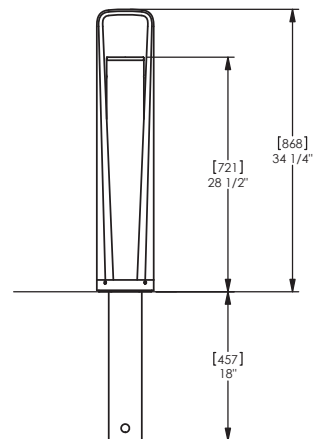
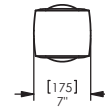
Pangard™ II polyester powder coated.

#### Fixings:

Below ground installation. Surface mounted or removable.

### Dimensions

H: 868mm  
W: 175mm  
D: 150mm



(Technical Drawings for variants available on request)

**artform**  
urban furniture