

# Skyforce

## Juliet Balcony





# Skyforce

## Almost invisible Juliet balconies

The Skyforce Juliet balcony system is an almost invisible system which can be quickly and easily mounted, with installation by means of its simple “slide and click” design. This saves unnecessary frustration and gives you valuable additional time and profit potential.

An extremely cost-effective solution compared to other types of Juliet balcony systems, especially as no glass processing is required, it can accommodate a single glass width of up to 3000 mm using one complete 2-part system. It benefits from offering a completely frameless appearance from an internal viewing position, whilst still providing the necessary fall protection expected from a Juliet balcony.

### Product Highlights:

- Quick and simple mounting
- Pre-assembled sets for the most popular glass thicknesses
- Aluminium anodised finish as standard
- Maximum width up to 3000 mm
- Suitable for plastic, aluminium, and wooden frames
- Mounting onto stone, concrete, and steel
- With General Building Inspection Test Certificate ABP and BS6180



### Essential features:

- Easy ordering thanks to pre-assembled sets of 900, 1000, and 1100 mm glass heights
- No glass processing required
- With drainage channels
- Almost tool-free installation
- RAL colours and mill finishes available by special request
- Other glass thicknesses available by special request

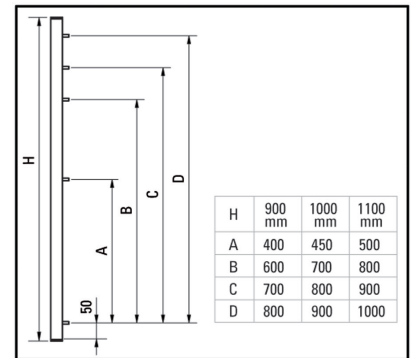
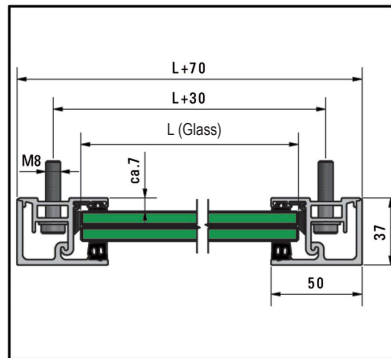
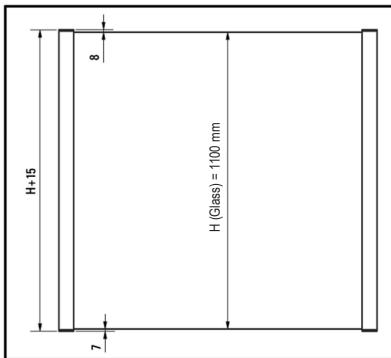


## Skyforce Juliet balcony complete set 1100 mm



DESCRIPTION	ART. NO.
with rubber set for 12 - 13.52 mm glass thickness	BO 6001003
with rubber set for 16 - 17.52 mm glass thickness	BO 6001006
with rubber set for 20 - 21.52 mm glass thickness	BO 6001009

**i** Finish aluminium, plain anodised · for glass height 1100 mm



## Skyforce Juliet balcony centre piece 1100 mm



DESCRIPTION	ART. NO.
with rubber set for 12 - 13.52 mm glass thickness	BO 6001010
with rubber set for 16 - 17.52 mm glass thickness	BO 6001011
with rubber set for 20 - 21.52 mm glass thickness	BO 6001012

**i** Finish aluminium, plain anodised · for glass height 1100 mm

## Skyforce Juliet balcony complete set 1000 mm

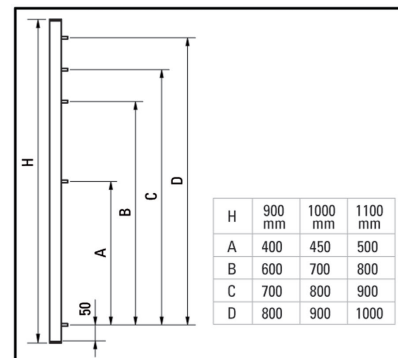
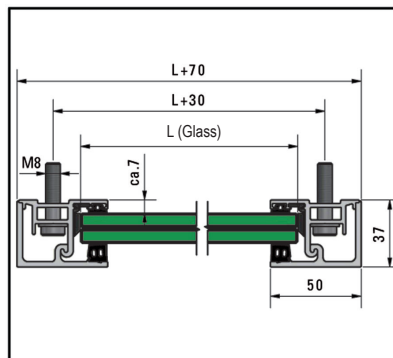
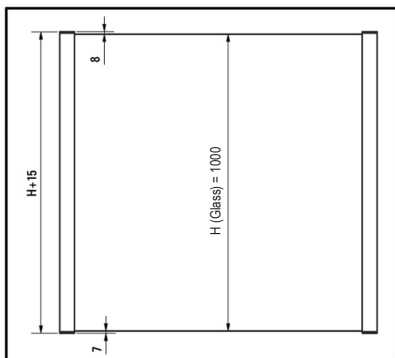


### DESCRIPTION

### ART. NO.

with rubber set for 12 - 13.52 mm glass thickness	BO 6001002
with rubber set for 16 - 17.52 mm glass thickness	BO 6001005
with rubber set for 20 - 21.52 mm glass thickness	BO 6001008

**i** Finish aluminium, plain anodised · for glass height 1000 mm



## Skyforce Juliet balcony complete set 900 mm

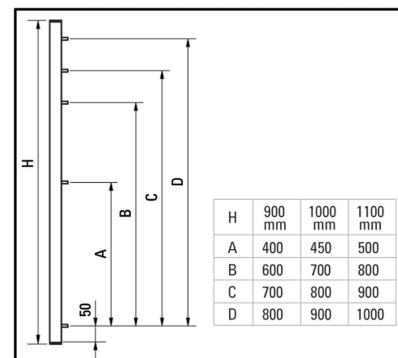
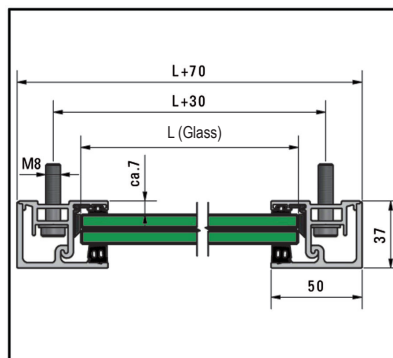
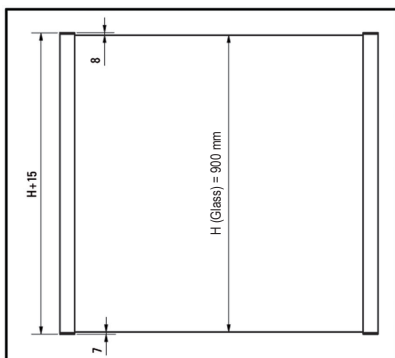


### DESCRIPTION

### ART. NO.

with rubber set for 12 - 13.52 mm glass thickness	BO 6001001
with rubber set for 16 - 17.52 mm glass thickness	BO 6001004
with rubber set for 20 - 21.52 mm glass thickness	BO 6001007

**i** Finish aluminium, plain anodised · for glass height 900 mm





### Fixing anchor for steel

**i** Material stainless steel (AISI 316, exterior) · Packaging unit 10 items

ART. NO.

BO 6001017



### Fixing anchor for concrete

**i** Material stainless steel (AISI 316, exterior) · Packaging unit 10 items

ART. NO.

BO 6001018



### Fixing anchor for stone

**i** Material stainless steel (AISI 316, exterior) · Packaging unit 10 items

ART. NO.

BO 6001019



### Fixing anchor for aluminium frames

**i** Material stainless steel (AISI 316, exterior) · Packaging unit 10 items

ART. NO.

BO 6001015



### Fixing anchor for wooden frames

**i** Material stainless steel (AISI 316, exterior) · Packaging unit 10 items

ART. NO.

BO 6001016

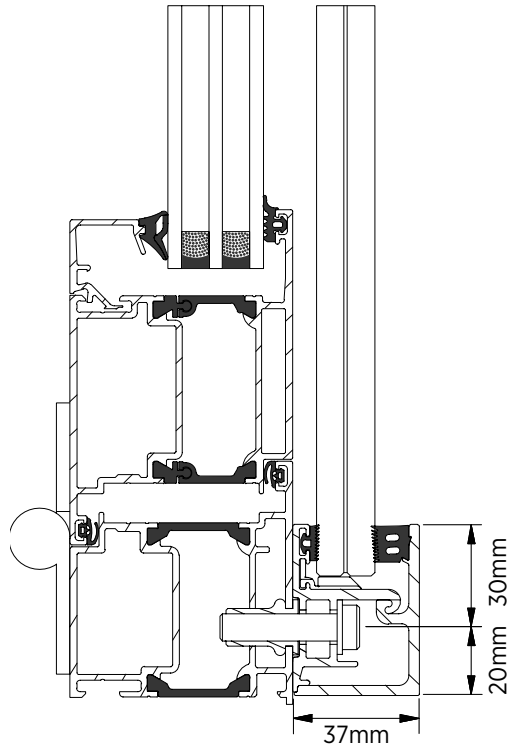
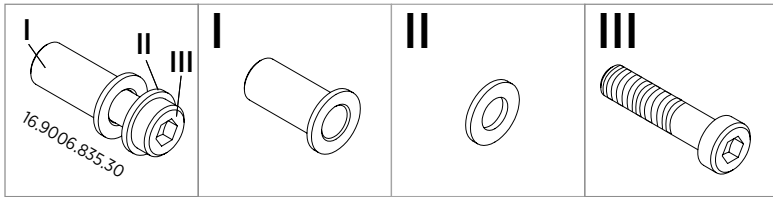
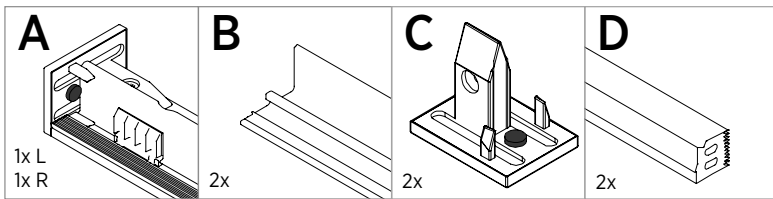


### Assembly tool

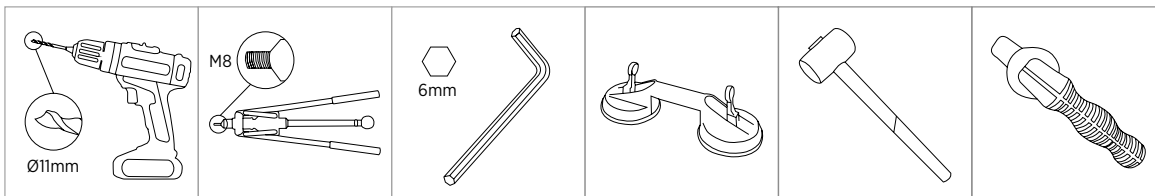
**i** Packaging unit 1 item

ART. NO.

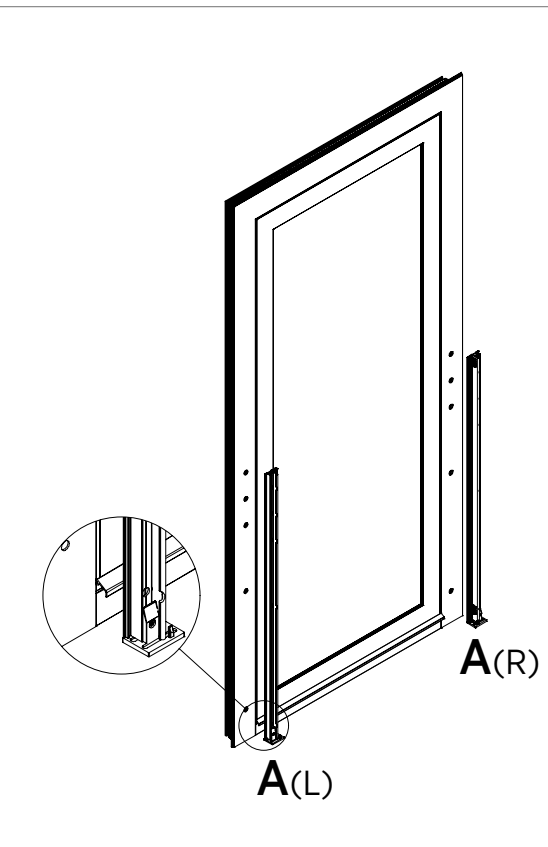
BO 6001020



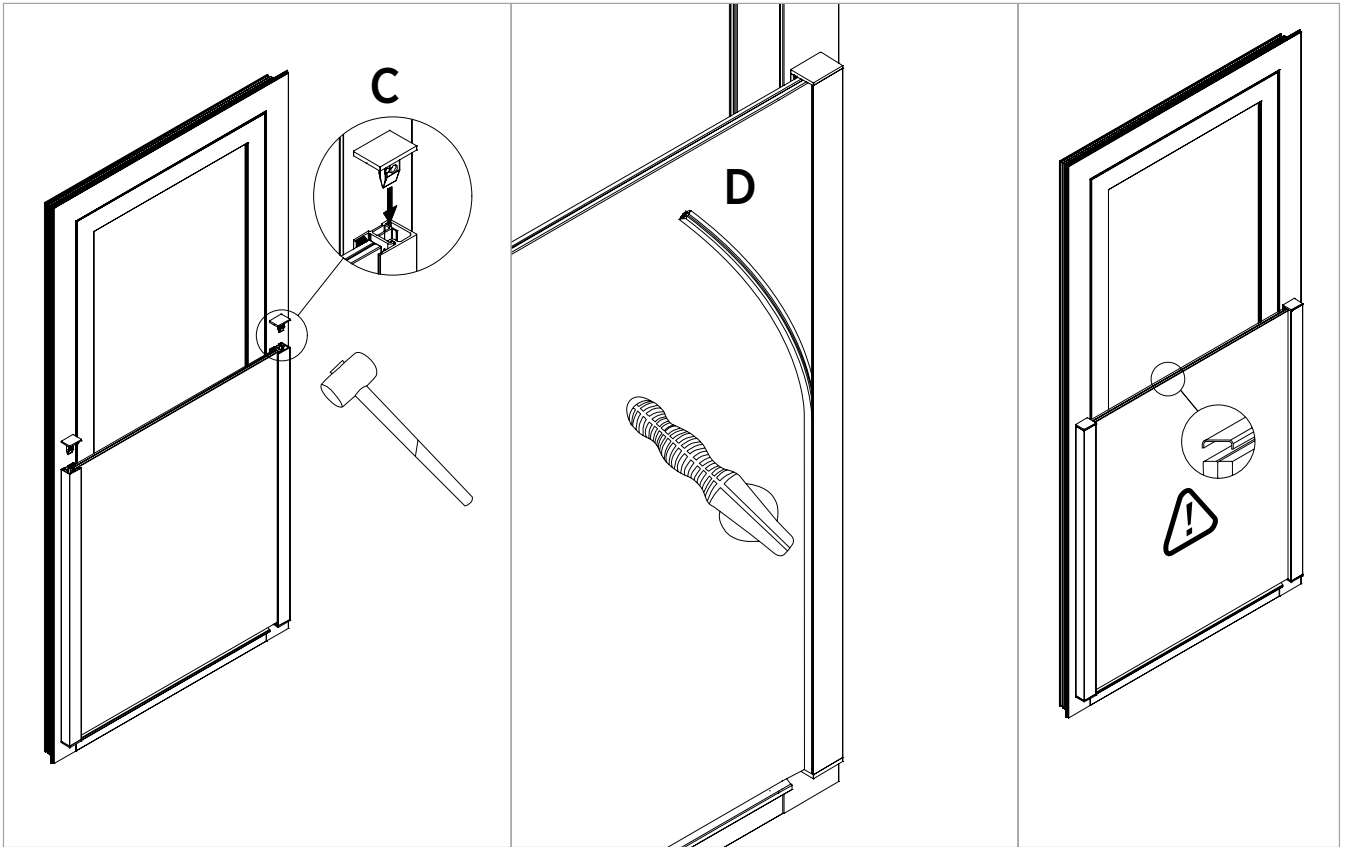
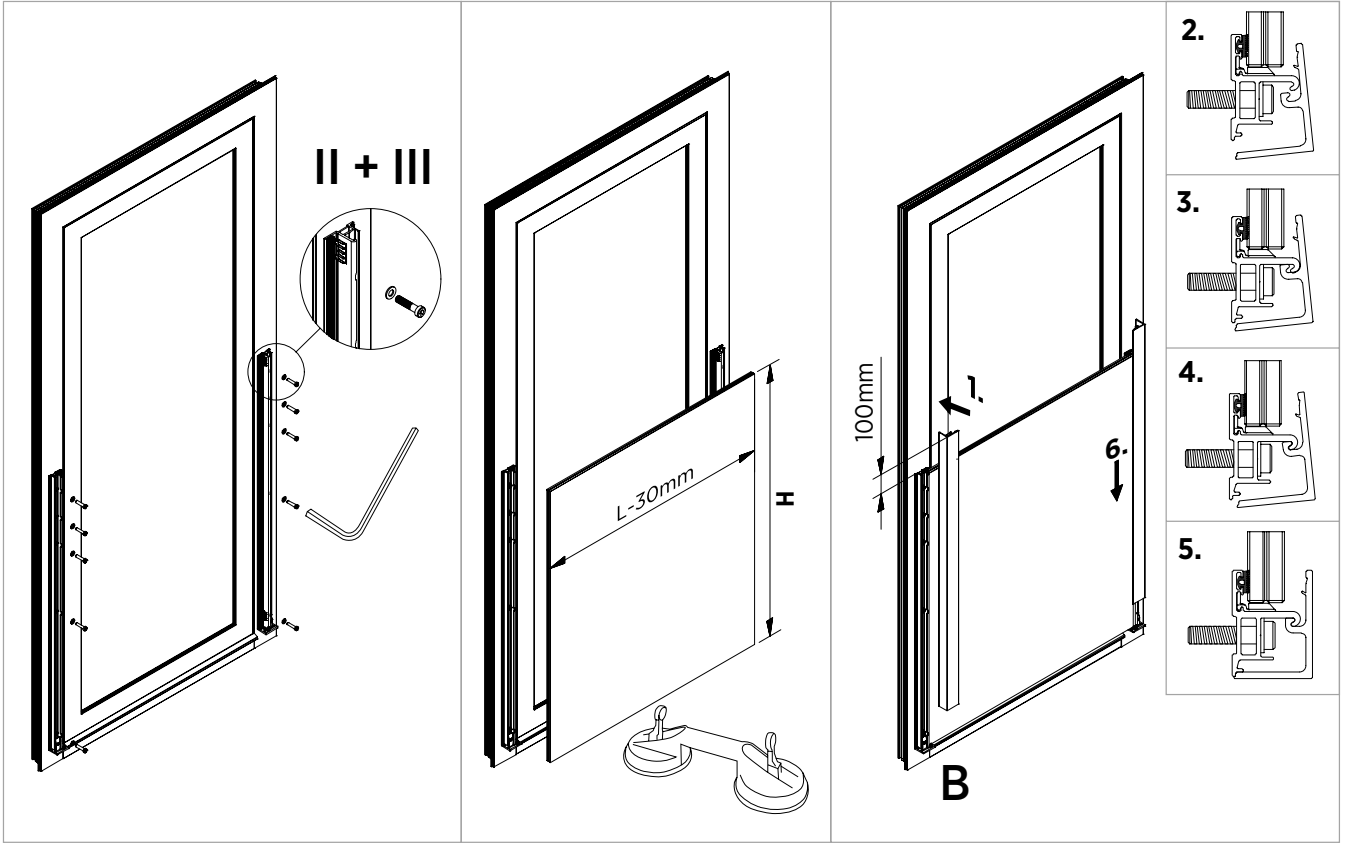
Tools



H	900 mm	1000 mm	1100 mm
A	400	450	500
B	600	700	800
C	700	800	900
D	800	900	1000







**Bohle Ltd.**  
Fifth Avenue  
Tameside Park, Dukinfield  
Cheshire. SK16 4PP

T +44 161 3421100  
F +44 161 3440111

[info@bohle.ltd.uk](mailto:info@bohle.ltd.uk)

