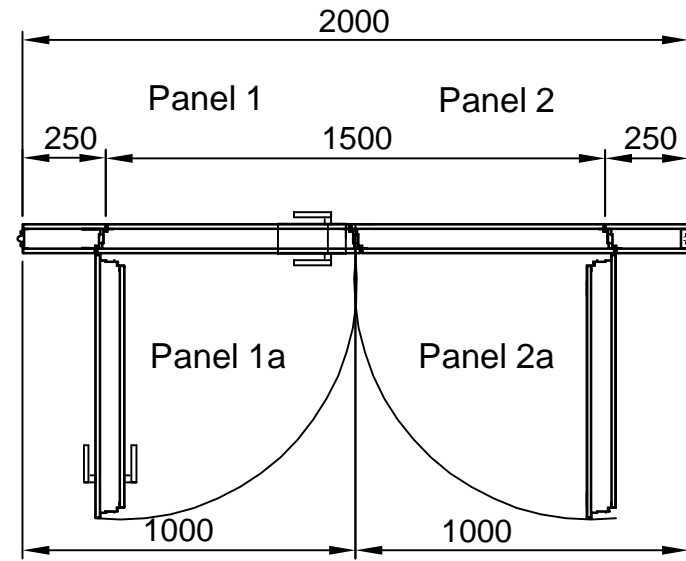
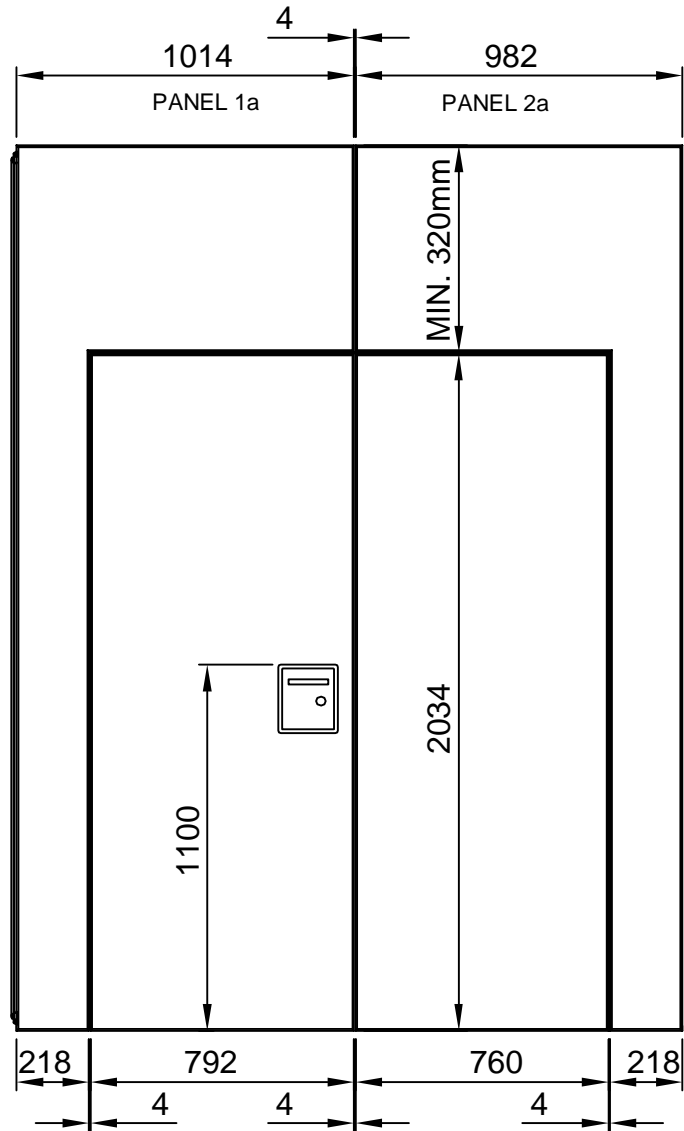


INSET PASS DOOR SE2 - TYPE 80/100



MOVAWALL
Movawall Systems Ltd
Tel : +44 (0) 20 8391 8790
www.movawall.co.uk
E-Mail : Sales@movawall.co.uk
DRG. NO.: SL - 804