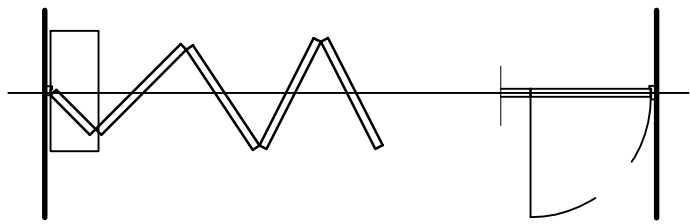
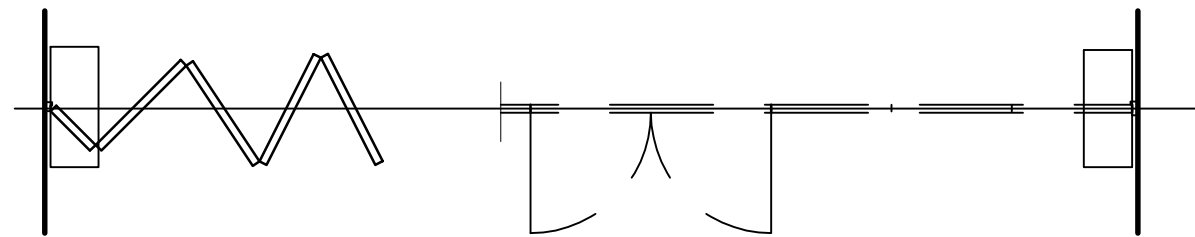


PRODUCT OPTIONS - TYPE 200 TOP HUNG

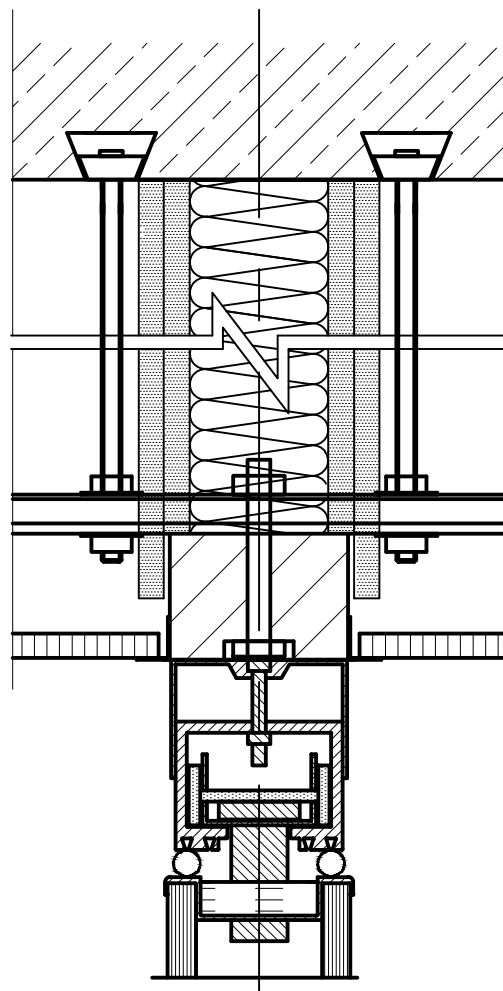


1. CENTRE FOLD - SINGLE.

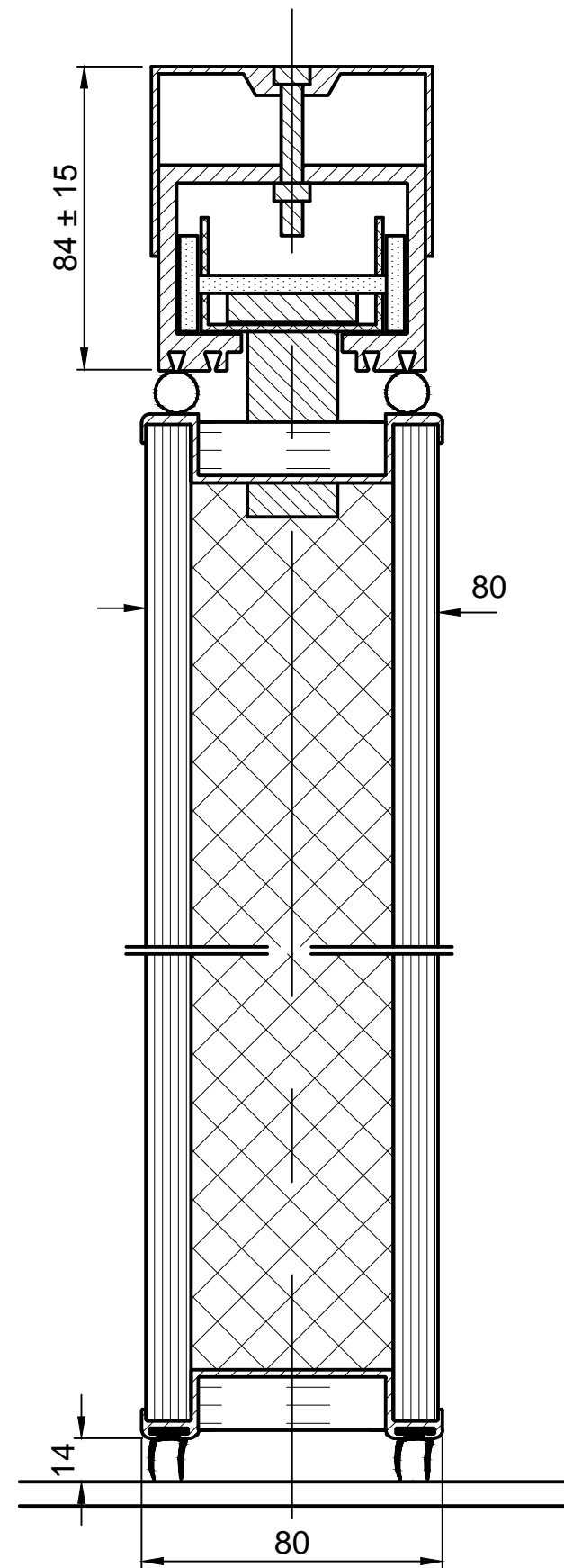


2. CENTRE FOLD - BI-PARTING

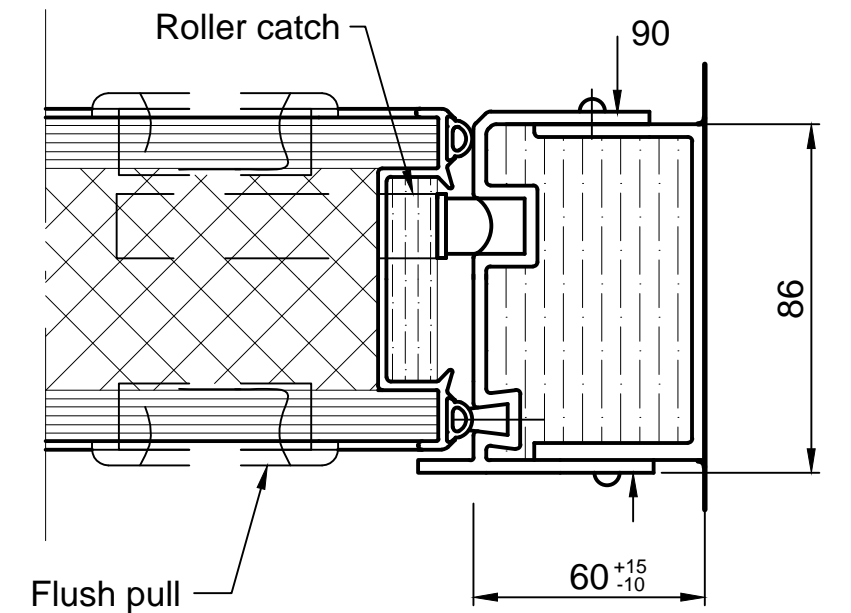
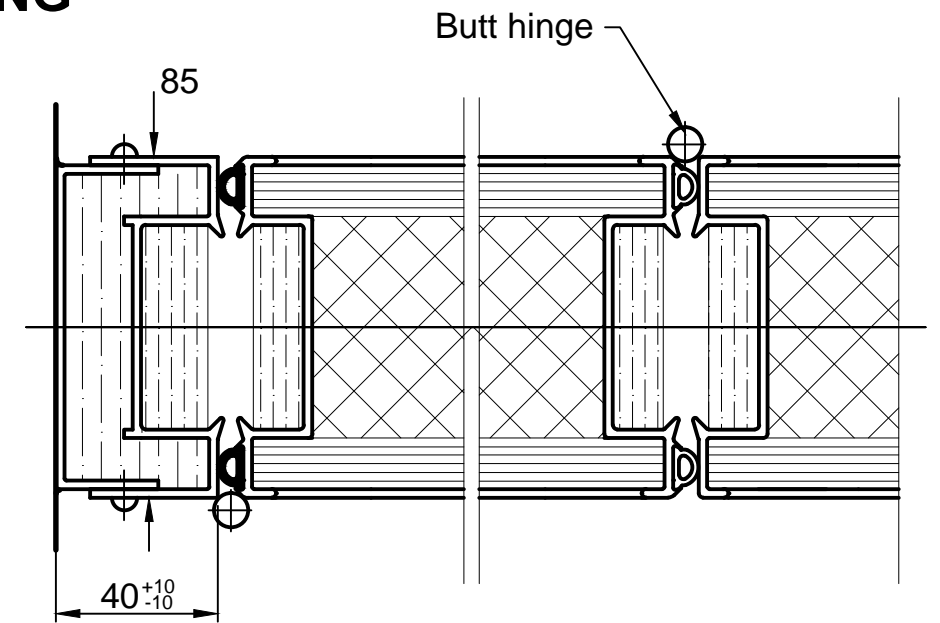
LAYOUT TYPES



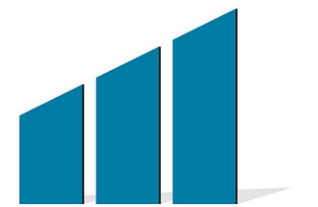
TYPICAL HEAD TRACK FIXING DETAIL



VERTICAL SECTION



HORIZONTAL SECTION - WALL JAMB



MOVAWALL
Movawall Systems Ltd
 Tel : +44 (0) 20 8391 8790
www.movawall.co.uk
 E-Mail : Sales@movawall.co.uk
DRG. NO.: SL - 203