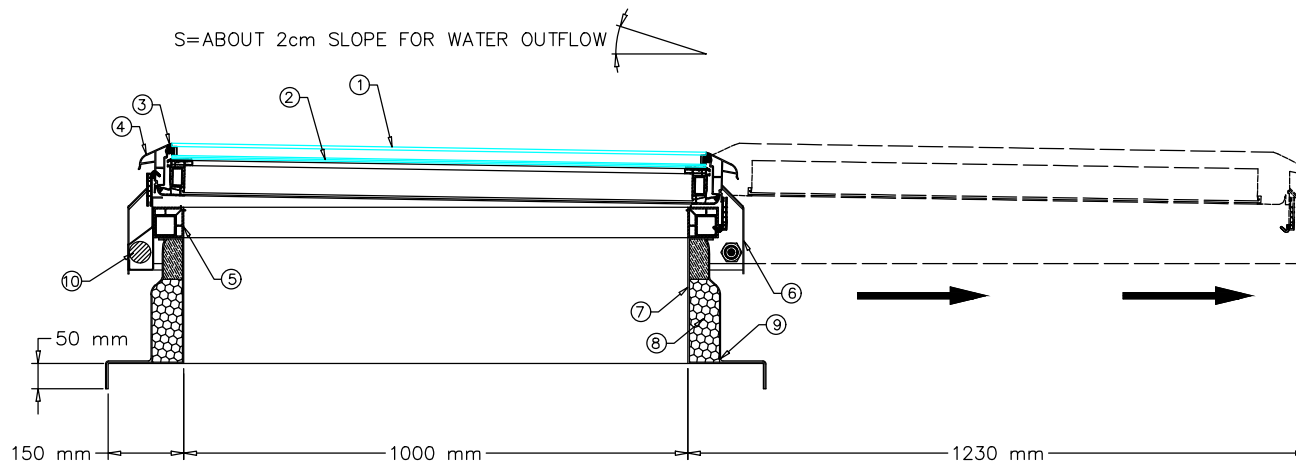


LONGITUDINAL - SECTION



CROSS - SECTION

THIS DRAWING IS THE PROPERTY OF THE BILCO COMPANY AND INCORPORATES INFORMATION WHICH IS PROPRIETARY. PUBLICATION AND/OR PUBLIC DISTRIBUTION IN WHOLE OR IN PART IS EXPRESSLY PROHIBITED WITHOUT THE PRIOR WRITTEN CONSENT OF THE BILCO COMPANY. THE INFORMATION CONTAINED HEREIN REMAINS THE PROPERTY OF THE BILCO COMPANY. ALL RIGHTS RESERVED.

SPECIFICATIONS

1. TOUGHENED GLASS
2. LAMINATED LOW-E GLASS
3. STRUCTURAL SEAL
4. EXTERNAL ALUMINIUM FRAME
5. INTERNAL FRAMES IN PVC REINFORCED W/METAL
6. EXTERNAL METAL PROFILES
7. UPSTAND - INTERNAL LAYER IN POLYESTER REINFORCED W/FIBERGLASS
8. 60MM MINERAL WOOL INSULATION PANEL
9. UPSTAND - EXTERNAL LAYER IN POLYESTER REINFORCED W/FIBERGLASS
10. ACTUATOR - 24VDC

SHOP FINISH

GLASS:	CLEAR FINISH
PVC PROFILES:	WHITE
ALUMINIUM PROFILES:	WHITE POWDER COATING
METAL PROFILES:	WHITE POWDER COATING
UPSTAND:	WHITE

NOTES:

1. ENSURE THERE ARE NO OBSTRUCTIONS ON THE TRAVEL OF THE OPENABLE FRAME.
2. THIS PRODUCT IS DESIGNED TO BE INSTALLED ON A FLAT ROOF.
3. FULL SPECIFICATIONS ARE AVAILABLE ON WEBSITE: www.bilco.co.uk

CUSTOMER

P.O. NO.

JOB

SALES REP.



Bilco UK Ltd
 Park Farm Business Centre
 Fornham St. Genevieve,
 Bury St. Edmunds
 Suffolk. IP28 6TS

**SINGLE LEAF SLIDING SMOKE VENT
 TYPE SKY-1MF**

QTY	TYPE	SIZE
		WIDTH x LENGTH
□	SKY-1MF	1000mm x 1500mm

Web Site: www.bilco.co.uk