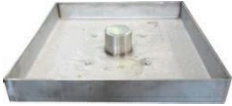


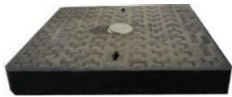
PUPS 01

Total power 125 amps single or 3 phase incoming supply.
 Can be used to supply electricity, water, gas and telephone.
 Raised by turning handle (suitable for use in HGV areas).

COVER TYPES



A. COVER TO FILL STAINLESS STEEL AISI304 20T LOAD



B. COVER CLOSEDCAST IRON 40T LOAD



C. COVER TO FILL CAST IRON 40T LOAD

SOME ELECTRICAL STANDARD CONFIGURATION

1. (For a stage or events)

- 1 no. 63 amp 5P sockets with RCBO protection
- 2 no. 32 amp 2P sockets with RCBO protection
- 4 no. 16 amp 2P sockets with RCBO protection

2. (For a stage or events)

- 1 no. 125 amp 5P sockets with RCBO protection
- 1 no. 32 amp 2P sockets with RCBO protection
- 1 no. 32 amp 5P sockets with RCBO protection

3. (For a market)

- 4 no. 16 amp 2P sockets with RCBO protection
- 2 no. 32 amp 2P sockets with RCBO protection
- 6 no. 16 amp 2P sockets with RCBO protection

4. (For a market)

- 4 no. 16 amp 2P sockets with RCBO protection
- 1 no. 32 amp 5P sockets with RCBO protection
- 1 no. 32 amp 2P sockets with RCBO protection
- 5 no. 16 amp 2P sockets with RCBO protection
- 1 no. RJ45 outlet

CUSTOMIZED CONFIGURATIONS



TYPE OF MOVEMENT

- RAISED BY TURNING HANDLE
- TOTAL WEIGHT 450KG
- STRUCTURE STAINLESS STEEL, CAST IRON AND CONCRETE

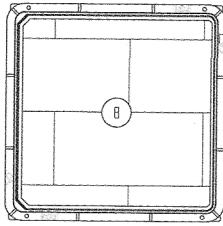
ADDITIONAL EQUIPMENT

- Water system
- Compressed air system
- Gas system
- Telephone system
- Jacks Rj-data
- Audio-video connectors

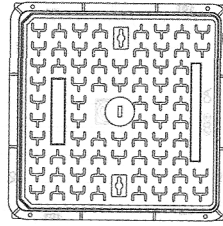


PUPS01 - Standard dimensions

Recessed cover for infill

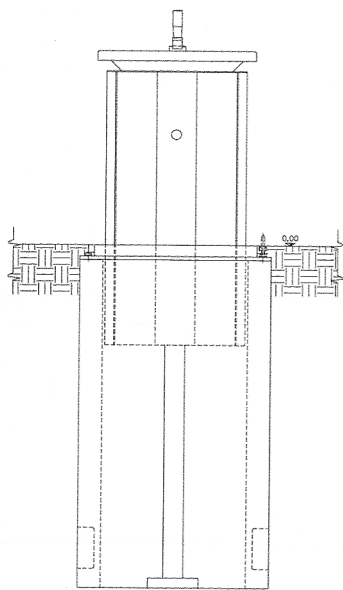


Cast iron cover

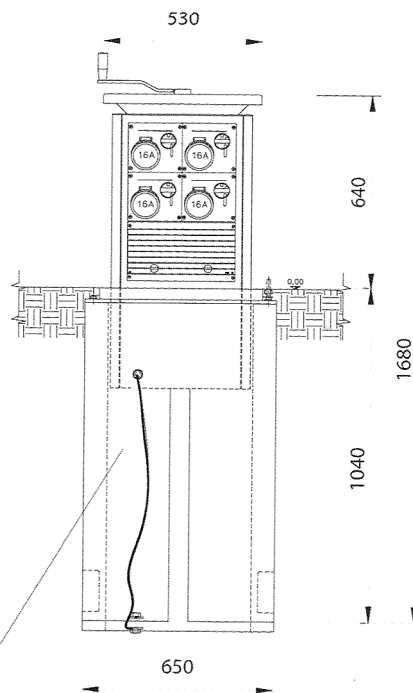


PUPS01 - Typical installation

Side view



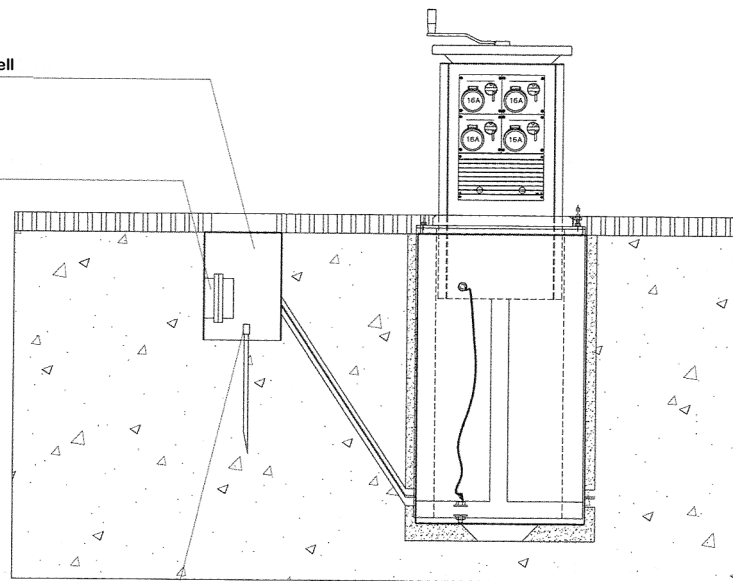
Front view



Flexible copper cable to earth

Incoming supply well

Incoming cable



Earth sink