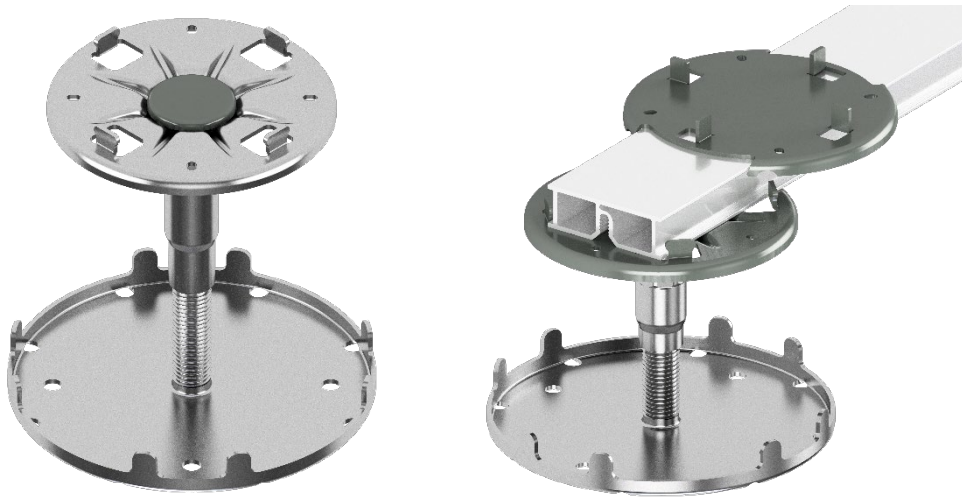




TECHNICAL DATASHEET

METALPAD FOR DECKING



CLASS A2 - s1, d0

Non-combustible Adjustable Height Pedestal for Decking 25-53mm

Description

Class A2 – s1, d0 MetalPad for Decking, the non-combustible adjustable height pedestals for suspended decking and tile floors using the Class A Rail Substructure System. For exterior applications.

Galvanised steel pedestals with powder coated headpiece designed to hold the Wallbarn Profiled Aluminium Rail between the lugs without the need for mechanical fixings. Outer ledges on profiled rail fit under angled sections of lugs.

Rail is fitted securely but with flexibility for movement. Fixing-less connection system means no stress points, less drilling, no risk of screws popping out over time.

Made with zero plastic and zero rubber content.

Accurate levelling of the floor surface with millimetre precision by twisting the solid M16 threaded stem to adjust the height.

To adjust the height, turn the stem and headpiece by bracing the rounded notches on the base plate.

Additional Top Headpiece available to fit onto aluminium rail to hold tile or slab in place.

The smooth circular baseplate is 150 mm diameter. This baseplate allows uniform distribution of the load of the upper floor without point loading or risk of punctures. The integrity of the waterproofing system or insulation is protected.

The MetalPad has a locking mechanism on the threaded bar to prevent the headpiece and the baseplate from separating.

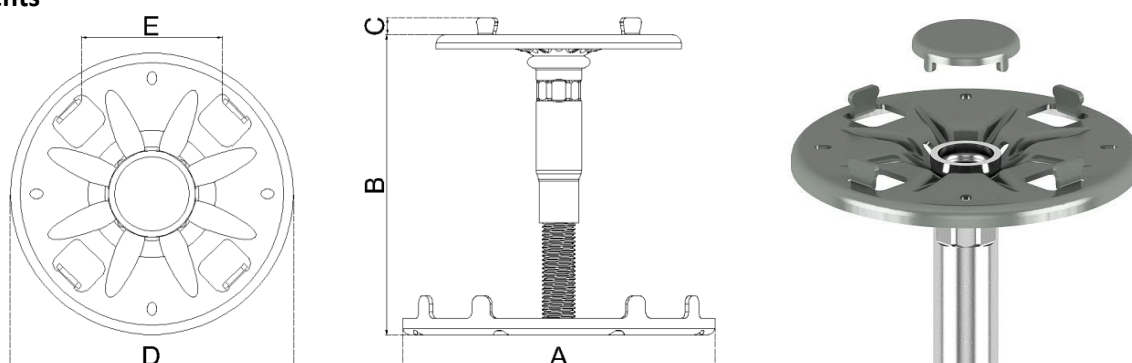
If the height of the pedestal needs to be locked at a predetermined level before its installation, a fastening point in the centre of the headpiece can be locked using an M4 Allen Key.

A galvanised steel cap is provided to protect the moving parts from dust and water. The cap should be fitted in the centre of the headpiece by using a rubber mallet.

Material:

Headpiece	Varnished AISI430 Stainless Steel	
Cap		
Base Plate	Electro Galvanised Steel Sheet DC01	EN 10152
Threaded Stem	Galvanised Steel class 4:8	
Powder coating	Interpon Epoxy Polyester	Thickness 60 microns
Compatibility	With Wallbarn profiled Aluminium Rail System	
Fire Rating	Class A2 – s1, d0	BS EN ISO 1716 EN 13823 (2020)
Use / Purpose	Class A decking systems and suspended paving projects using Rail Substructure	
Height Range	25-30mm, 32-39mm, 39-46mm, 46-53mm	
Lug Dimensions	10mm high, gap between lugs 63.3mm	
Included	Closing cap for headpiece	
Weight Tolerance	1,000kg per pedestal – normal load 2,000kg per pedestal – break point	Dynamometer
Durability	MetalPad for Paving is manufactured for long-term performance and resistance to corrosion, exposure to elements and to UV rays	
Warranty	Limited warranty 15 years Life span 50 years	

Measurements



Code	Description	A	B	C	D	E
SP-MET-D-025-Z	Class A MetalPad - Decking - 25-32mm	150mm	25-32mm	10mm	118mm	63.3mm
SP-MET-D-032-Z	Class A MetalPad - Decking - 32-39mm	150mm	32-39mm	10mm	118mm	63.3mm
SP-MET-D-039-Z	Class A MetalPad - Decking - 39-46mm	150mm	39-46mm	10mm	118mm	63.3mm
SP-MET-D-046-Z	Class A MetalPad - Decking - 46-53mm	150mm	46-53mm	10mm	118mm	63.3mm
SP-MET-P-HEAD-Z	Class A MetalPad - Paving - Headpiece for Rail Substructure				Paving shaped headpiece	



www.wallbarn.com