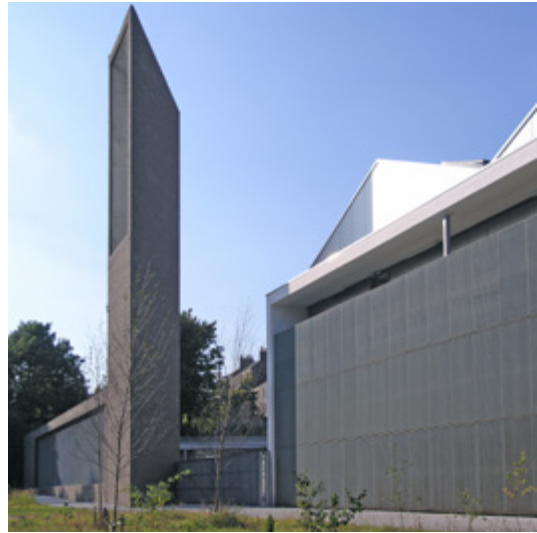


LANGFULTON



Architectural Gratings

Pressure Locked and Electrofused Products

Our History

Lang+Fulton is one of the oldest companies in Scotland; its history as iron merchants in Greenock dates back to 1781. From those early days it developed into an important supplier of steel to the UK shipbuilding industry, often carrying steel from the mills in its own ships.

The business has progressively evolved from this background in steel stockholding, fabrication and shipping and today operates as a supplier to the construction industry, employing a young team from engineering and surveying backgrounds.

The Company's main sales and technical office is based in Edinburgh with a presence and stockholding facility in the West Midlands in order to serve its primary market in the South.



*The Custom House Quay, Greenock 1820
Robert Salmon (1775-1845)*

Our Mission

Our aim is to generate design-led specifications, using a standardised material to produce a bespoke finished product.

We encourage contact with our clients from concept to completion and enjoy collaborating on challenging projects which involve a high element of design. We see our drawing and design service as a core strength, encompassing all aspects of support steelwork and fixings.

Our gratings are sourced throughout Italy and include several unique products. Diversification is key to our ongoing expansion and we continue to build our supply chain in order to be able to offer the broadest possible range of products.



Index

	page
Our Products	2
Electrofused Gratings	3
Pressure-Locked Gratings	4
Wall Cladding	5
Case Study	6
Car Parks	7
STEREO-KINETIC system	8
Security Screens	9
Plant Housing	10
Balconies	11
Balustrades & Stairs	12
Ceiling Panels	13
Green-Wall & Trellis	14
Solar Screening	15
Bike Stores	16
Finishing	17
Louvre Products	17
Isometrics & Dimensions	18-20



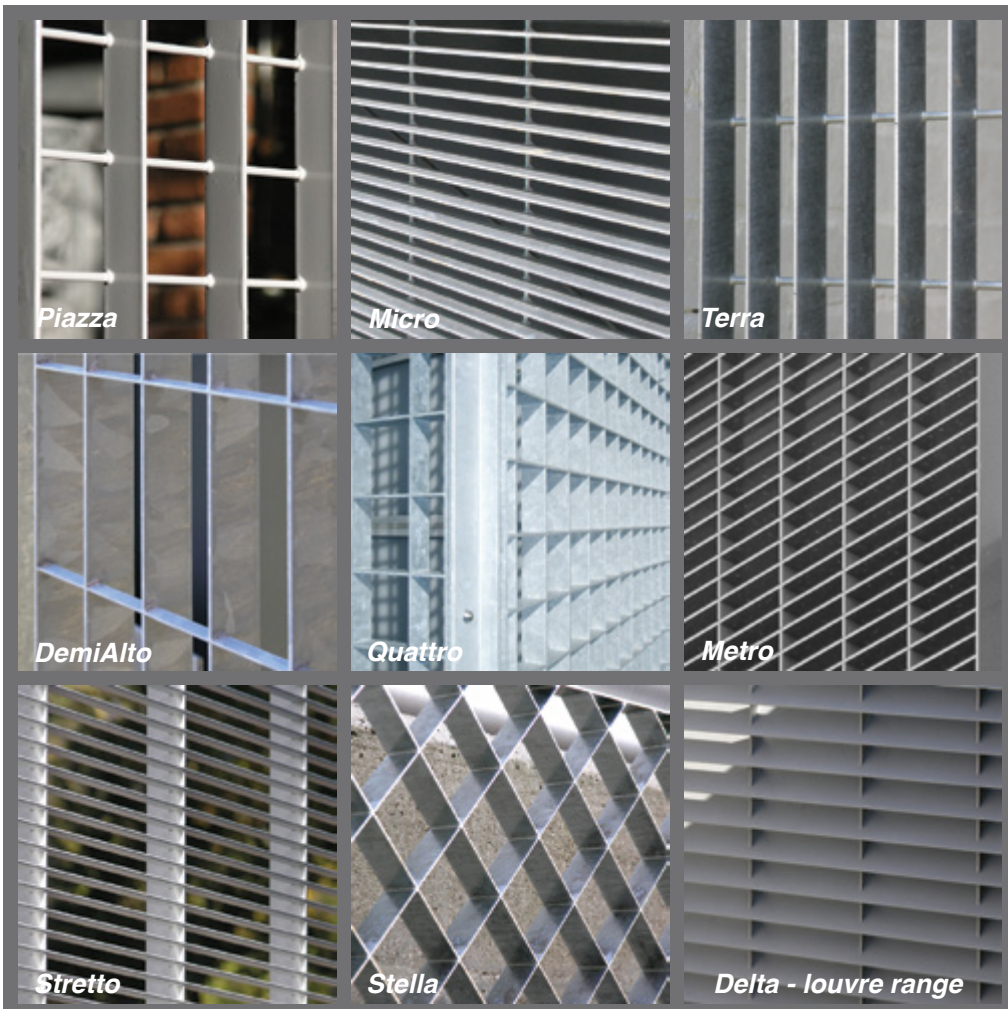
Our Products

At Lang+Fulton we understand the difficulties of choice overload in the decision making process.

We have therefore categorized our vertical gratings into 11 product ranges, each of which has a distinctive characteristic, so that the architect can more easily select the best grating to convey their vision.

Our Technical Team can draw upon a wealth of experience to propose the exact product that will deliver the desired aesthetic and the most cost-effective, code-compliant solution for a particular project.

Steel is a sustainable material with 100% recyclability. The overall average end-of-life recovery rate for steel from construction is 94% in the UK.



	Visual Emphasis: Horizontal (H)	Vertical (V)
Electroformed (EF) - flat bars & round bars		
Pressure-locked (PLX) - flat bars of equal section		
Pressure-locked (PL) - flat bars of unequal section		
Rectangular aperture		
Square aperture		
Vertical bearing bar		
Horizontal bearing bar		

<i>Stereo</i>	V	x		x	x
<i>Piazza</i> ^{*1}	V	x			x x
<i>Micro</i>	H	x		x	
<i>Terra</i>	V	x		x	x
<i>Alto</i> ^{*2}	V		x	x	
<i>DemiAlto</i>	V		x	x	x
<i>Quattro</i> ^{*2}	Ç		x		x x
<i>DemiQuattro</i>	V		x	x	x
<i>Stretto</i>	H		x	x	x
<i>Metro</i>	H		x	x	
<i>Stella</i> ^{*2}	Δ		x		x x

*1 - *Piazza* can be used with the flat bearing bar on the horizontal or vertical

*2 - load bearing is shared between both bars

Electrofused Grating

Electrofused gratings offer the most economical solution where there is a requirement for a large size of panel, either as a wall cladding material or as a security screen. The overall size of panel is only limited by the practicalities of on-site handling.

Composition & Appearance: for all vertical applications the mild steel gratings are made from flat bars and attractive plain round bars, rather than the utilitarian twisted round bar which is more suited to industrial floor grating.

Manufacturing Process: high voltage electricity combined with pressure totally amalgamate the flat bearing bars and round transverse bars. The fusion of each intersection produces a material which has complete integrity, thus allowing it to be cut, shaped or radiused without compromising its overall strength. Production lines, as well as cutting and framing processes, are all fully automated for quality control and maximum cost-efficiency. All panels are supplied framed and fully finished.

Panel Size: mats are made 6100mm long and range from 1000 to 1890mm wide, depending on the aperture of the grating, but typically the maximum recommended panel size is 4000x1890mm (flat bar x round bar).

Bespoke Gratings: for minimum quantities of 400m², gratings are also available with alternative sections of flat bar - 40x3; 50x4; 60x4 or 70x4mm. Non-standard apertures can also be designed for large scale projects.



Standard Apertures

Stereo	rectangular aperture with vertical bearing bar standard bearing bars: 25x2; 25x3; 30x4mm
Piazza	square aperture with vertical or horizontal bearing bars standard bearing bars: 25x2; 25x3mm
Terra	rectangular aperture with vertical bearing bar standard bearing bars: 25x2; 25x3; 30x2; 30x3mm
Micro	rectangular aperture with horizontal bearing bar standard bearing bars: 25x2; 25x3; 30x2; 30x3mm

		Transverse Bar Centres (mm)					
		25	44	66	76	100	132
Bearing Bar Centres (mm)	15						
	25						
	34						
	43						
	62						
	124						



Pressure-Locked Grating

The process of pressure-locking produces a very high quality material with perfectly formed intersections, resulting in the most aesthetic grating for vertical applications.

The flexibility of this method of manufacture means that all panels are made to custom sizes, with the economy of little or no wastage. Production can also be readily adapted to provide gratings to non-standard specifications of weight, aperture and performance. It is therefore often the grating of choice for all types of projects: from prestigious developments to practical industrial flooring.

Composition & Appearance: gratings are made entirely from flat bars of either equal or unequal depth. The standard section of bearing bar is 25x2mm.

- Panels made with the transverse bars to the front have a rectangular or square, geometric appearance.
- Panels made with the bearing bars to the front have a linear emphasis, either vertical or horizontal depending on the choice of grating.
- Gratings made with equal sections of flat bar have an identical appearance from both sides.

Manufacturing Process: an arrangement of transverse bars are fixed under pressure into notched bearing bars. Flat bars of equal depth are twice notched (cross-pressed); bars of unequal depth are once notched (pressed). The bars are further secured with a flat framing bar.

Panel Size: maximum recommended panel size: 2000x2000mm

Bespoke Gratings: gratings can be made to custom apertures or with alternative sections of bearing bar: 25x3; 30x2; 30x3; 30x4; 40x2; 40x3; 40x4; 40x5; and 50x3 up to 70x5mm.



Bearing Bar Centres (mm)	Transverse Bar Centres (mm)							
	11	22	33	44	66	99	132	
22								
33								
44								
66								
99								
132								

Standard Apertures

Quattro	square aperture with equal section bearing bars
DemiQuattro	square aperture with vertical bearing bars
Alto	rectangular aperture with equal section bearing bars
DemiAlto	rectangular aperture with vertical bearing bars
Metro	horizontal aperture with equal section bearing bars
DemiMetro	horizontal aperture with horizontal bearing bars
Stretto	horizontal aperture with vertical bearing bars

Wall Cladding

Steel grating is an extremely low cost type of wall cladding which can provide a strong visual statement as well as fulfilling many practical functions:

- ventilation
- protective barrier
- security
- bird screen
- natural daylight

The grating panels can either form a solid, free-standing screen or be used as a decorative cladding to introduce shape, colour and texture to a concrete or blockwork substructure. The framed panels are designed with either bracket fixings or holed for bolting into a secondary framework.

The choice of aperture and depth of flat bar will determine the degree of visual screening or through-visibility. The rotation of the bearing bar will determine a vertical or horizontal visual emphasis.

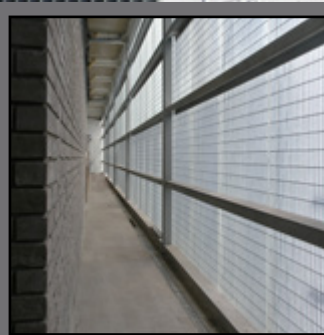
Elements of design can be added at no additional cost such as alternating panels or the use of gratings with contrasting apertures to create a chequerboard effect.

The largest panel sizes are made from electrofused gratings up to a maximum dimension of 4000x1890mm.

Panels can also be shaped or rolled to a radius.

It may be appropriate to consider the use of complementary gratings with a smaller aperture and anti-climb properties for ground level panels.



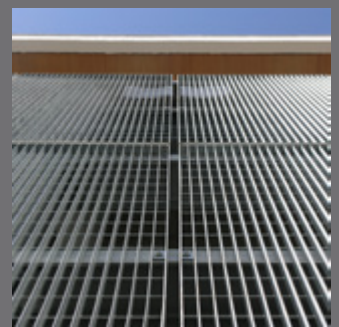


Edinburgh Sculpture
Workshop
Phases I & II

Terra-34 grating panels

Architect: Sutherland Hussey

2016 award winner:
Galvanizing in Architecture



Multi-Storey Car Parks

The challenge of designing a utility building such as a car park is to conceal its functionality and to soften its structural impact so that it may be sympathetically integrated within the surrounding built environment. Often this must be achieved within the constraints of strict budget limitations.

Grating is economical and meets all the required objectives of providing security, natural light and ventilation, while also obscuring the internal structure of the levels or ramps which may not conform to the exterior elevation.

The grating panels can be used in several different ways: to create a continuous facade, to link adjacent sections, to break the monotony of a surface area, to act as an effective floor to ceiling pedestrian barrier or as infill panels for ventilation.

Panels can be supplied with alternative styles of frame to create either a visual accent or a continuous screening effect. Fixings are individually designed according to the substructure.

The maximum standard panel size of 4000x1890mm is suitable for covering most large openings or surface areas. Exceptionally, panels of a greater height can be manufactured but will require intermediate fixings.

Panels can be made to accept the horizontal loadings for pedestrian barriers up to a 3m span (BS 6399-1).

All steel gratings are hot dip galvanized with an optional polyester powder coating. This two stage approach to the protection of the steel provides an extremely durable finish. In 1988 Lang+Fulton supplied gratings for a car park at the St Enoch Centre in Glasgow; the polyester powder coating on the grating is still intact and protecting the galvanized surface below.





STEREO-KINETIC Wall Cladding

The STEREO-KINETIC system has been uniquely developed by Lang+Fulton for screening and wall cladding. It's striking appearance is achieved by using hundreds of stainless steel tiles which are suspended from grating panels. Gusts of wind or the movement of traffic cause the metal rectangles to ripple in an ever changing display.

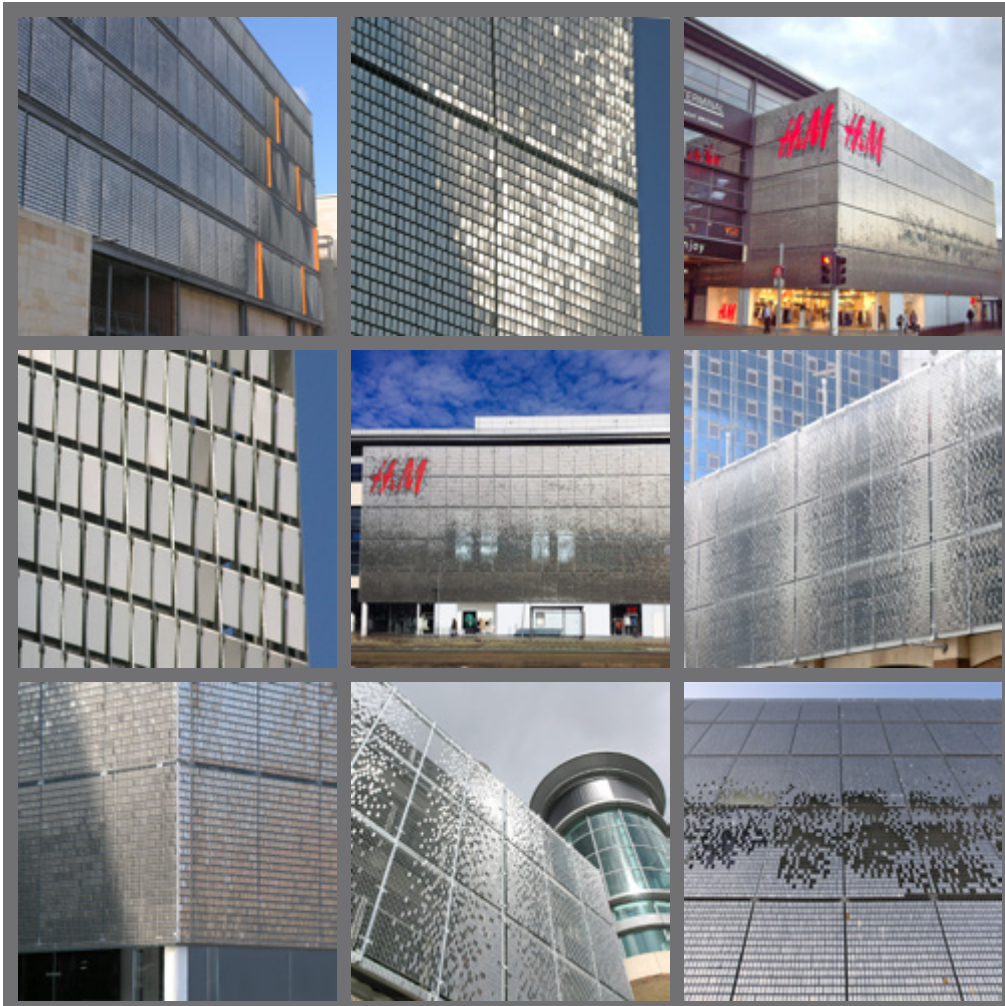
The system can be adapted to achieve a particular effect such as:

- a continuous facade
- a featured area
- a pattern
- an arrangement to allow the passage of natural daylight

Each tile is suspended with a specially designed fixing within the individual apertures of the grating panels.

Lang+Fulton work closely with the architect from concept to final design, preparing CAD drawings and advising on support steelwork, alternative panel fixings and loading specifications to current British Standards.

Fully finished panels are supplied to custom sizes together with all components to provide a complete package.



Security Screening

Grating panels can be used effectively wherever there is a requirement for security.

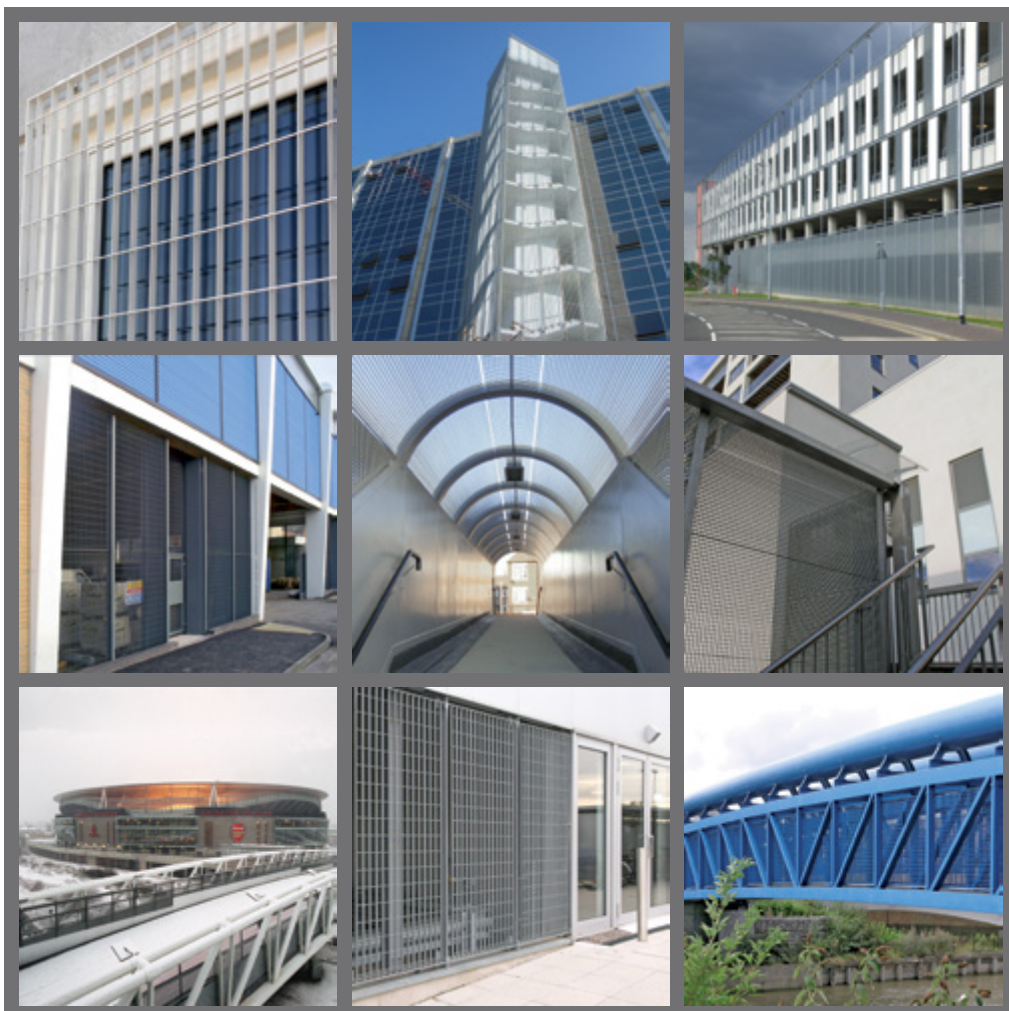
The size of the panel may determine the type of grating. Lang+Fulton would recommend that smaller panels such as window grilles are made from pressure-locked grating, while electrofused grating may be more appropriate for the continuous screening of an undercroft.

Sliding screens and gates can be integrated with fixed panels to provide a continuous yet versatile facade.

The aperture and weight of grating should be chosen according to the function, the overall size of the area to be secured and the required level of security.

As an example, **Piazza-25** grating with a 25x25mm aperture is advised for screens where there is considered to be a threat from projectiles or for securing enclosures at high risk from vandalism. Lang+Fulton have worked on several projects with Network Rail supplying panels of **Piazza-25** in conformity with the regulations for safeguarding rail tracks.

Recent requirements for security grating have also included the supply of panels for bike stores. The grating panels minimise the potential for theft by fulfilling the dual purpose of providing both a secure shelter and good through-visibility.



Plant Housing



Compounds, enclosures and plant housing for the screening and safe protection of heating and air conditioning systems or power-supply equipment are individually designed from electrofused or pressure-locked gratings, as well as steel louvres.

The comprehensive range of apertures provides different levels of performance: from 22x22mm or 25x25mm for anti-projectile to 124x132mm for maximum free area.

Pressure-locked gratings can be supplied with different depths of flat bar. A greater depth of flat bar will increase the level of visual screening.

Each installation is supplied with posts and any ancillary steelwork as well as separate blanking plates, bird guards or insect mesh if required.

Gratings can also be used as an outer cladding to protect and enhance the appearance of acoustic panels.

Lang+Fulton's *Italia* and *Delta* ranges of steel louvred grille are often chosen for this type of application to create a robust compound or housing for mechanical plant. Both ranges include products which will provide either total or partial visual screening.



DeltaWing-90



Italia-100

Balconies

Gratings for balcony balustrading have the advantage of providing a semi-private yet see-through space with the aperture determining the relative openness of the structure.

Lang+Fulton will work with the architect to design and supply the secondary steelwork as well as the framed panels, which are made to exacting dimensions to fit within a structural framework.

Pressure-locked gratings are especially suitable for balconies as the particularly neat intersection of the flat bars is ideally suited to a residential environment.

In addition, the custom sized panels are manufactured with little or no wastage of steel. Therefore, in spite of the high quality and pleasing aesthetic of the pressure-locked panel, it is surprisingly economical, especially for the typical size of a balcony balustrade.

Small apertures with anti-climb properties are recommended for residential projects. The **Stretto** range has closely spaced transverse bars at intervals of 11, 22, 33 or 44mm and the 10x2mm horizontal flat bar has the advantage of providing significant visual screening when viewed from below.

Gratings from the **Quattro** and **Alto** ranges are also a popular choice for this type of application as the equal flat bars deliver an identical appearance on both the inside and outside.

In conjunction with their Consulting Engineers, Lang+Fulton will develop a design to accept horizontal loadings for pedestrian barriers up to a 3m span in accordance with BS 6399-1.

Hot-dip galvanizing with an additional polyester coated finish is always recommended for balcony balustrades for the smoothest possible, durable finish which can be easily cleaned.

Louvred panels from the **Delta** and **Italia** ranges can be used to deliver a greater degree of visual screening.

Lang+Fulton also supply specialist steel gratings suitable for balcony decking.



Balustrades & Stairs



The imaginative use of grating panels can transform an external staircase or balustrade into an independent feature, adding architectural interest to a solid facade.

The semi-solid structure of the gratings generates a feeling of security which is particularly appreciated by elderly people and young children.

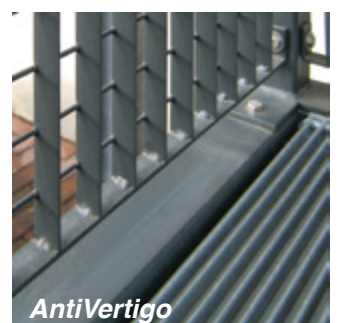
Panels for parapets and staircases can be made out of any of the smaller mesh gratings. Consideration on the choice of grating should always be given to loading and anti-climb properties.

The gratings can be supplied either as framed infill panels or with a post system which can be modified to carry a decorative handrail.

Panels can also be rolled to a radius to suit rounded or circular landings.

A duplex galvanized and polyester coated treatment is recommended for balustrades to deliver a smooth finish.

Lang+Fulton can also supply treads and landings for stairs from a comprehensive range of horizontal gratings. These include specialist heel-proof gratings with small apertures, Barrot 'comfort' grating and AntiVertigo which is a non-transparent grating.



Ceiling Panels

Steel grating panels are an economical way of reducing the visual impact of overhead service ducts and are in keeping with the current design trend for a contemporary industrial appearance.

Lang+Fulton's made to measure ceiling panels are manufactured from superior quality pressed gratings. The degree of visual screening is determined by the size of aperture and the depth of the flat bars. These are entirely variable according to preference.

Quattro, which is a cross-pressed grating with an equal depth of flat bar and square aperture, and the Stretto range, with closely spaced transverse bars, are the most popular gratings for this type of application.

Framed panels can be close-fixed as a cladding material or suspended on bracket fixings.

Products are supplied with a full set of drawings for ease of installation and alternative fixing methods can be recommended by the Lang+Fulton design office.

SUSPENDED CEILINGS/FLOORING

Panels can be made with load bearing properties for mezzanines or suspended ceilings. The specification of the panel will depend on the span and loading requirement.

Lang+Fulton's sales office can provide further information.





Green Wall Planting Trellis

Lang+Fulton are increasingly being asked to provide a green wall screening solution as a requirement of the planning process. These are favourably received by Planning Departments which are often concerned about the impact of larger scale developments.

Moreover, by adding an organic element to the built environment, green walls and planted trellis promote a positive image of eco awareness.

Panels can be made up to 2910x1890mm which are either surface-mounted with bracket fixings or designed to fit into a free-standing structural steel framework, creating a plant trellis of any height.

The strong but relatively light-weight structure of *Piazza-132* with a 124x132mm aperture makes it an ideal and economical product for a self-supporting trellis for plants. It is unobtrusive with excellent see-through properties during the initial period as the plants grow.

In recreational areas, ground level panels made from complementary gratings with a smaller aperture should be considered for public safety. These base panels should aim to reduce any initial risk of the structure being climbable prior to planting becoming established.

It is important that this type of structure should have a long life-cycle. Hot-dip galvanizing with an additional polyester powder protection will ensure maximum durability.



Solar Screening

Brise soleil panels promote environmental sustainability by reducing solar gain within a building and maintaining an even temperature during the summer months. The resultant shading will measurably reduce the load on air conditioning units.

Panels for solar screening should be made from a grating with a deep flat bar in order to create a significant shading effect to the windows below.

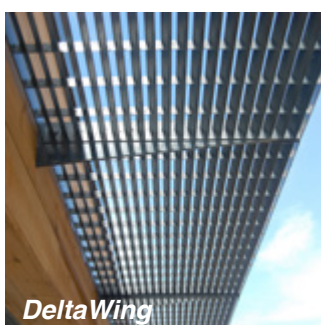
Pressure-locked grating, which can be supplied with a flat bar of sufficient depth yet only 2mm thickness, is the most appropriate for suspended or projecting structures. This creates a panel of minimum weight allowing for longer spans and lighter supports.

In addition, the panels can be designed to take a pedestrian loading so that they perform the dual function of providing an external walkway for cleaning a glazed elevation.

Lang+Fulton will advise on the best choice of grating for a particular span or which will take the maintenance loading of 3kN/m², keeping the number of horizontal supports to the minimum.

Effective solar screening can also be achieved using vertical panels: as a structural element of the building design, as suspended moving screens or as fixed window grilles.

Louvre gratings will provide a greater degree of solar shading. The **Delta** range of pressure locked panels is made with a 45 degree inclined louvre set at 33, 44, 66, or 88mm centres.



Bike Stores



Bike stores can be designed as a free-standing structure or as a secure, screened, storage area within an under-croft.

Any type of open mesh grating can be used to make the panels.

All bike stores are supplied as a complete package which includes support steelwork, accessories and fabrication drawings for quick assembly: RHS posts, SHS corner posts fitted with base plates, doors with euro-profile cylinder Locinox locks.

Louvres from the Italia or Delta Ranges can provide either total or various levels of partial visual screening, with corresponding levels of through visibility and natural daylight.



Italia-100



Italia-100

Finishing

Galvanizing

All products are supplied hot-dip galvanized to BS EN ISO 1461 for long term durability and a low-cost life cycle. Galvanized products may randomly exhibit a rough surface texture as well as dissimilar colour characteristics and will oxidise when exposed to the elements.

Polyester Powder Coating

Subsequent to galvanizing, a multi-stage process applies thermo-setting resins producing a significantly superior finish to painting. Polyester powder coating is available in any RAL or BS colour in full accordance with BS EN 13438. In order to meet this standard and receive certification, the complete process has to be continuous and applied at the same location.

Polyester powder coating provides a smoother finish which is less attractive to dust and dirt. It is always recommended for schools or residential projects.



Louvres

Lang+Fulton can offer two ranges of mild steel louvre as an alternative to gratings for projects where a greater degree of visual screening is required.

Italia-100 and Italia-80

Electrofused range with a profiled louvre and continuous lateral appearance. It offers 100% or 80% screening with 35% or 45% of free area, respectively.

DeltaWing, DeltaBox, DeltaFoil

Pressure-locked range for a crisp aesthetic and a linear, geometric or gently profiled form.

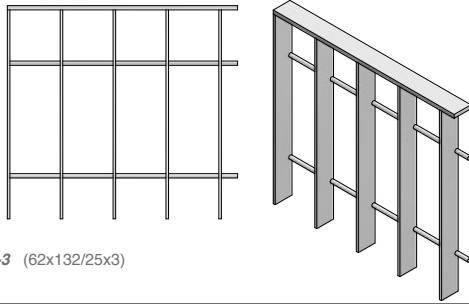
These gratings are particularly robust with a 40x2mm section louvre and 20x2 or 30x2mm vertical flat bar.

The inclined louvre can be spaced at any increment of 11mm to provide the desired amount of visual screening and free area.

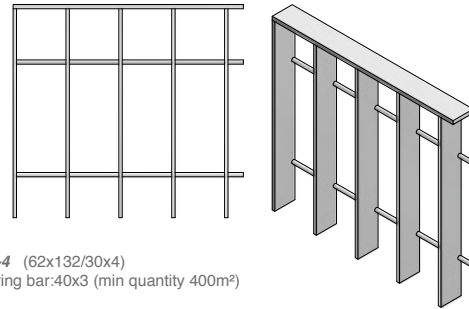


Gratings with a rectangular aperture

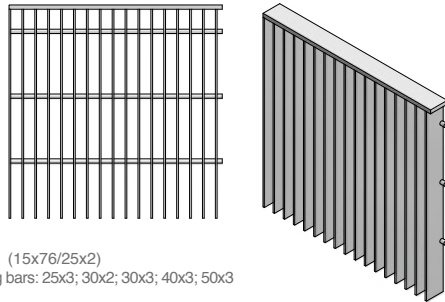
Electrofused Products



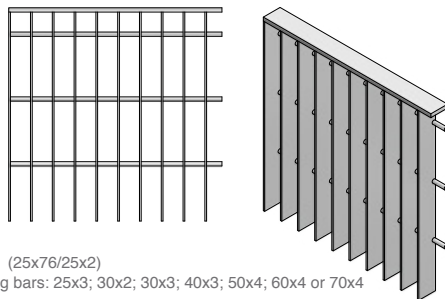
Stereo-3 (62x132/25x3)



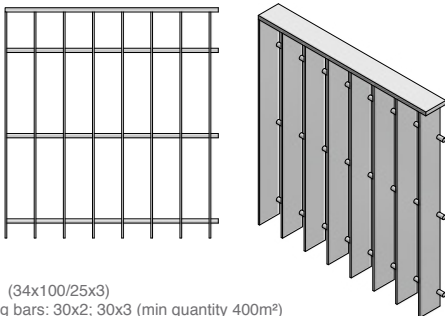
Stereo-4 (62x132/30x4)
Alt bearing bar: 40x3 (min quantity 400m²)



Terra-15 (15x76/25x2)
Alt bearing bars: 25x3; 30x2; 30x3; 40x3; 50x3

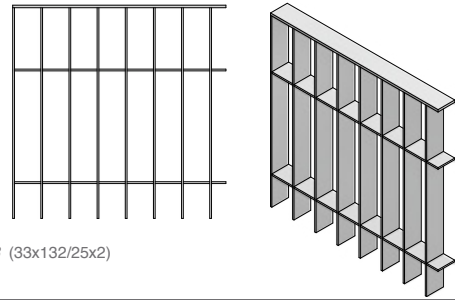


Terra-25 (25x76/25x2)
Alt bearing bars: 25x3; 30x2; 30x3; 40x3; 50x4; 60x4 or 70x4

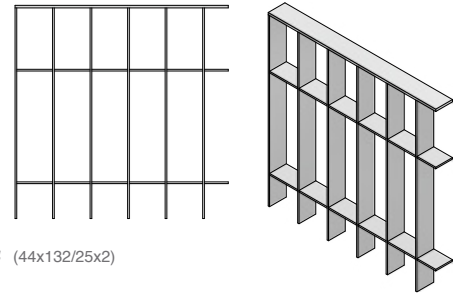


Terra-34 (34x100/25x3)
Alt bearing bars: 30x2; 30x3 (min quantity 400m²)

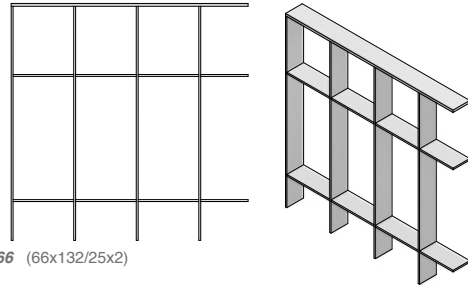
Pressure Locked Products



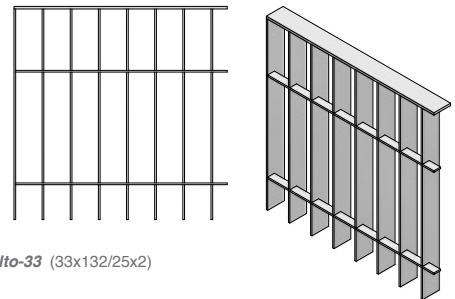
Alto-33 (33x132/25x2)



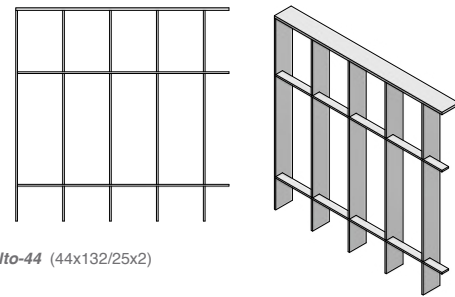
Alto-44 (44x132/25x2)



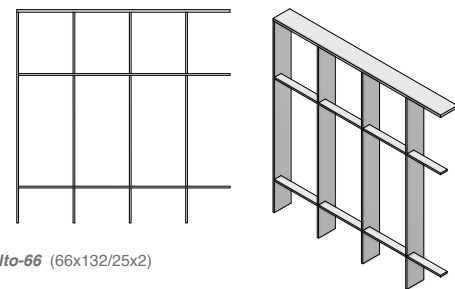
Alto-66 (66x132/25x2)



DemiAlto-33 (33x132/25x2)



DemiAlto-44 (44x132/25x2)



DemiAlto-66 (66x132/25x2)

Alto

Standard mesh sizes: 33x132, 44x132, 55x132 66x132mm
Alternative flat bars: 25x3; 30x2; 30x3; 40x3; 40x4; 40x5 and 50x3 up to 70x5mm

DemiAlto

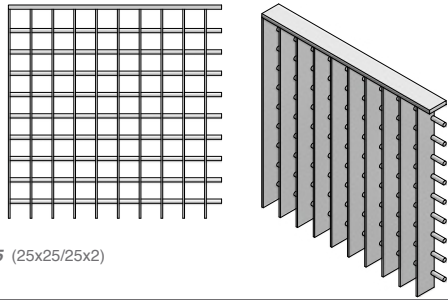
Standard mesh sizes: 33x132, 44x132, 55x132 66x132mm
Alternative bearing bars: 25x3; 30x2; 30x3; 40x3; 40x4; 40x5 and 50x3 up to 70x5mm

Standard Orientation

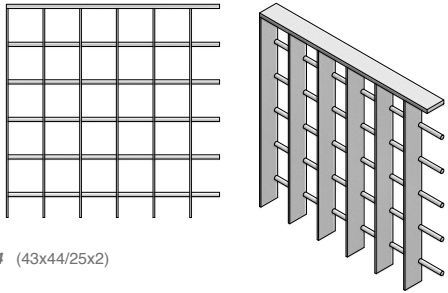
- Electrofused Products - intersection of the bars is to the inside of the panel
- Pressure-Locked Products - intersection of the bars is to the outside of the panel
- Opposite orientation available on request but must be clearly specified.

Gratings with a square aperture

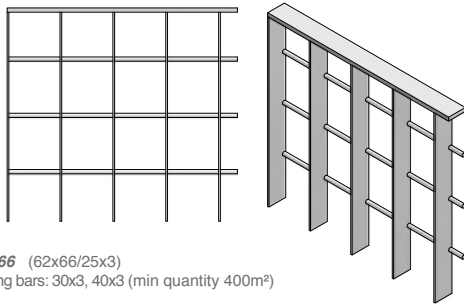
Electrofused Products



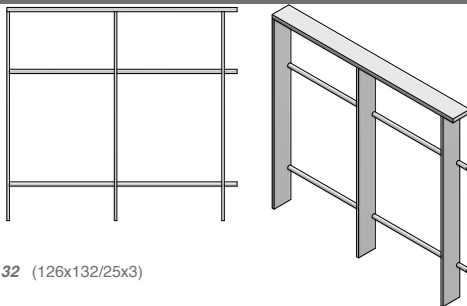
Piazza-25 (25x25/25x2)



Piazza-44 (43x44/25x2)

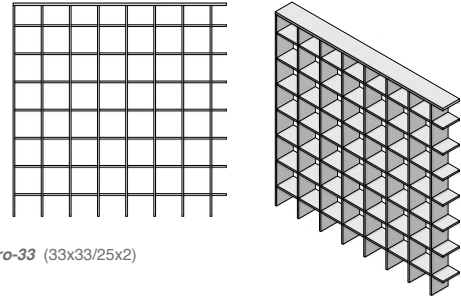


Piazza-66 (62x66/25x3)
Alt bearing bars: 30x3, 40x3 (min quantity 400m²)

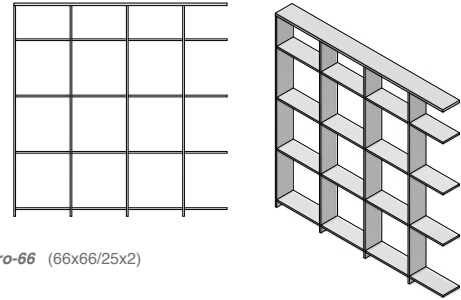


Piazza-132 (126x132/25x3)

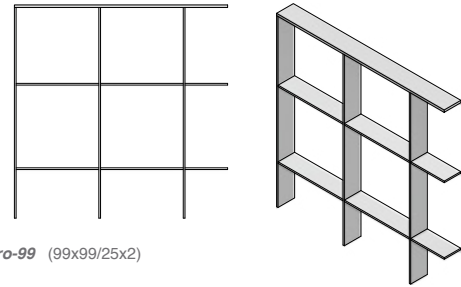
Pressure Locked Products



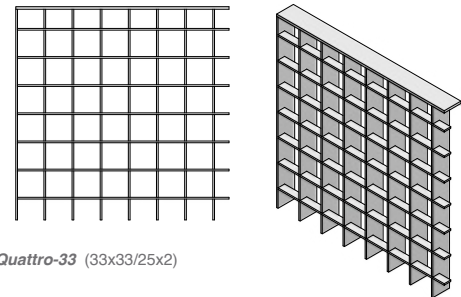
Quattro-33 (33x33/25x2)



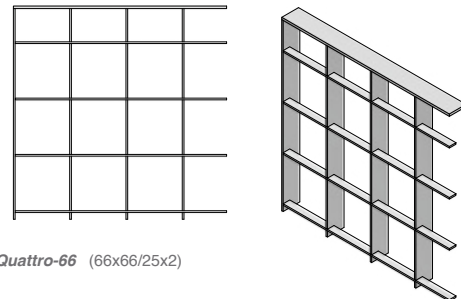
Quattro-66 (66x66/25x2)



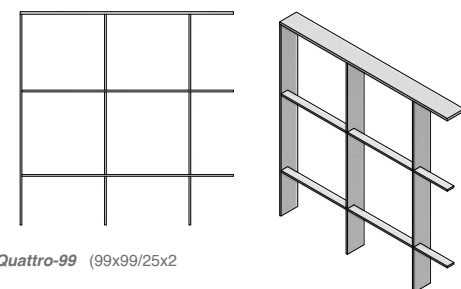
Quattro-99 (99x99/25x2)



DemiQuattro-33 (33x33/25x2)



DemiQuattro-66 (66x66/25x2)



DemiQuattro-99 (99x99/25x2)

Quattro

Standard mesh sizes: 33x33, 44x44, 55x55, 66x66, 77x77, 88x88, 99x99mm
Alternative flat bars: 25x3; 30x2; 30x3; 30x3; 40x2; 40x3; 40x4; 40x4; 40x5 and 50x3 up to 70x5mm

DemiQuattro

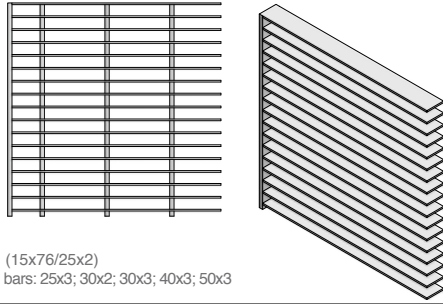
Standard mesh sizes: 33x33, 44x44, 55x55, 66x66, 77x77, 88x88, 99x99mm
Alternative bearing bars: 25x3; 30x2; 30x3; 30x3; 40x2; 40x3; 40x4; 40x4; 40x5 and 50x3 up to 70x5mm

Standard Orientation

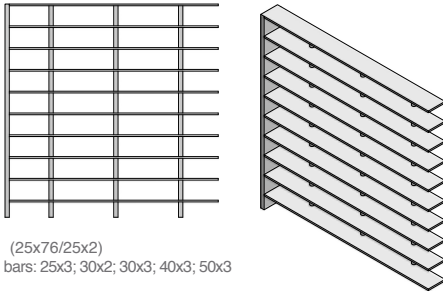
- Electrofused Products - intersection of the bars is to the inside of the panel
- Pressure-Locked Products - intersection of the bars is to the outside of the panel
- Opposite orientation available on request but must be clearly specified.

Gratings with a horizontal emphasis

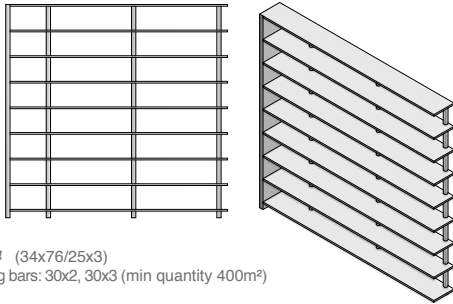
Electrofused Products



Micro-15 (15x76/25x2)
Alt bearing bars: 25x3; 30x2; 30x3; 40x3; 50x3

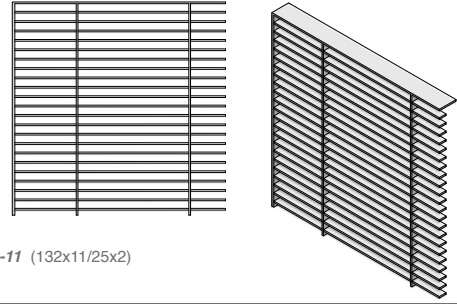


Micro-25 (25x76/25x2)
Alt bearing bars: 25x3; 30x2; 30x3; 40x3; 50x3

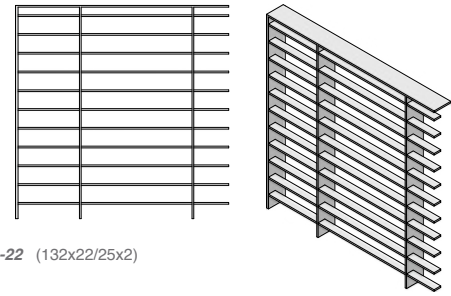


Micro-34 (34x76/25x2)
Alt bearing bars: 30x2; 30x3 (min quantity 400m²)

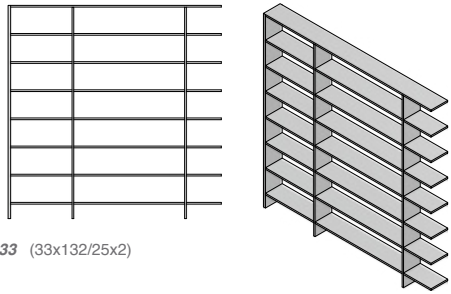
Pressure Locked Products



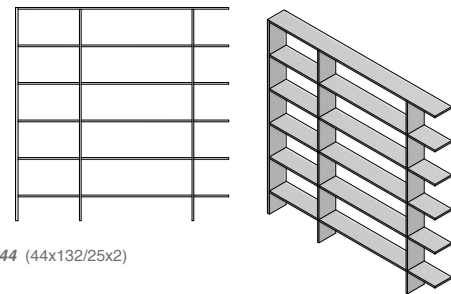
Stretto-11 (132x11/25x2)



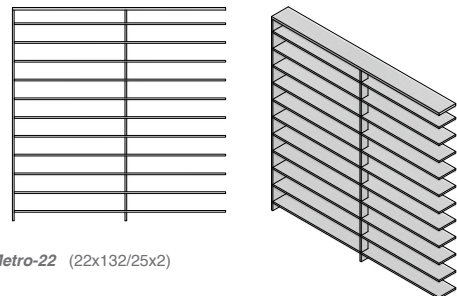
Stretto-22 (132x22/25x2)



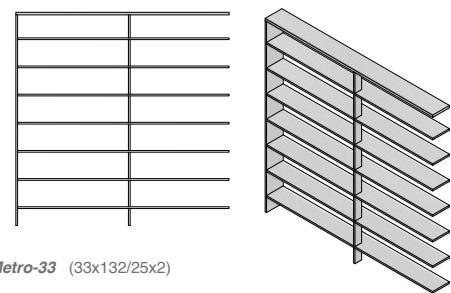
Metro-33 (33x132/25x2)



Metro-44 (44x132/25x2)



DemiMetro-22 (22x132/25x2)



DemiMetro-33 (33x132/25x2)

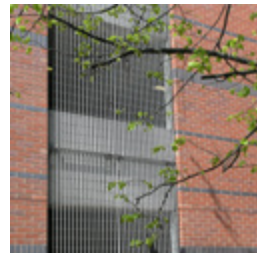
Stretto
Standard mesh sizes: 11x132, 22x132, 33x132, 44x132mm

Metro
Standard mesh sizes: 22x132, 33x132, 44x132, 55x132mm
Alternative flat bars: 25x3; 30x2; 30x3; 30x4 up to 70x5mm

DemiMetro
Standard mesh sizes: 22x132, 33x132, 44x132, 55x132mm
Alternative flat bars: 25x3; 30x2; 30x3; 30x4 up to 70x5mm

Standard Orientation

- Electrofused Products - intersection of the bars is to the inside of the panel
- Pressure-Locked Products - intersection of the bars is to the outside of the panel
- Opposite orientation available on request but must be clearly specified.



LANG&FULTON

t: 0131 441 1255 sales@langandfulton.co.uk www.langandfulton.co.uk

Lang & Fulton Ltd, Newbridge Industrial Estate, Newbridge, Edinburgh EH28 8PJ
Stockholding Depot: Cygnus Point, Black Country New Road, West Bromwich B70 0BD