



Jaymart

**Frames,
Ramps &
Edging**

A nighttime photograph of a city skyline with several illuminated skyscrapers. The lights from the buildings are reflected in a body of water in the foreground. The sky is dark, and the overall scene is lit up by the city lights.

Jaymart Rubber & Plastics Ltd was founded in 1967 and has supplied mats throughout the UK, Europe and the world.

We have a vast range of products that can be customised for every application imaginable.

We provide expert analysis and advice in creating a safe, attractive and vibrant matting system to any entrance for any building.

Service, quality and reliability are the foundations of our business.

Jaymart Entrance Matting Systems offer up to date designs and colours to make an entrance of any building.

Our aluminium profiles are the heaviest on the market and can perform in the most demanding of applications, keeping dirt and moisture from entering the building, reducing cleaning costs, risk of slip/ trips and falls and protecting expensive internal floor finishes.

Jaymart have over 55 years experience of advising on the right entrance matting system for your building

Make an entrance and the right first impression with Jaymart entrance mat systems



Healthcare



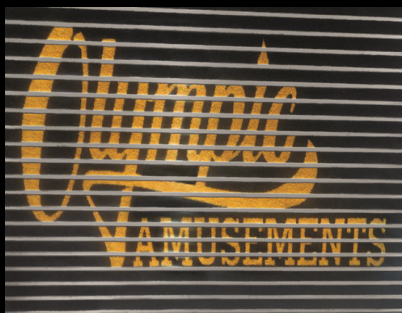
Commercial



Retail

The entrance to a building has to be pleasing aesthetically and functional - able to remove dirt and moisture from traffic entering a building, helping to reduce cleaning costs, reduce the use of harmful cleaning chemicals and increase the lifespan of the internal floorcoverings reducing the amount of damaged or worn flooring to landfill. The Jaymart entrance mat systems are suitable for every type of building able to compliment any entrance or make a feature whilst doing the important work of keeping dirt out.

We offer luxurious and prestigious systems that make a statement to more modest but effective sheet matting options used in the aluminium mat scraper rails so you can co-ordinate zonal matting or as standalone matting. There is a Jaymart mat for every entrance on every type of building.



Leisure



Education



Transport



Hotels



Shopping Centres

Jaymart

Key Features

- They trap up to 90% of dirt and moisture, therefore reducing cleaning costs and use of harmful cleaning chemicals
- They help to protect the expensive floor finishes reducing the amount sent to landfill..
- The panel construction, which allows for rib alignment between panels, renders them stronger than wired construction types which can snap or bend. This also facilitates replacement of insert strips in the unlikely event of damage or desire to change colour scheme. Leading to a useful lifespan of 30 years when refurbished.
- This also allows for more elaborate designs to be incorporated if required.
- The Insert materials can be customised to maximise performance of the product and if required to make a statement upon entering the building.
- Logos can easily be incorporated into the mat at very reasonable costs.
- They can be surface mounted or installed in a recessed matwell.
- The mats incorporate 100% Recycled Aluminium and are also easy to recycle after useful life, and so are an environmentally friendly product.
- Now can be anodised in colours including antique bronze and black.
- 10 year warranty.



Environmental Impact & Sustainability

Our Products Use 100% recycled aluminium and can be recycled after use making our aluminium mat products very environmentally friendly. This combined with the ability to replace the insert material rather than replacing the whole mat, means that although not directly eligible for BREEAM Credits selecting Jaymart will help in supporting your BREEAM certification.

We manufacture in the United Kingdom to precise specifications/ measurements. This means Jaymart can reduce waste and transport.

Our products are extremely Hard wearing and will reduce the need for frequent replacement to support BREEAM MAT 05 criteria and also minimise the use of harmful cleaning chemicals and cleaning/ maintenance costs for the end user.

BREEAM MAT 01 addresses the environmental impact through the life cycle of the product. The Jaymart aluminium entrance matting system have the ability to refurbish rather than replace means that our products can further support your aims. It will also help with meeting BREEAM MAT 06 requirements. We can also offer products made from natural inserts from sustainable sources to further meet environmental aims. The expected useful lifespan when refurbished is 30 years approximately dependent on wear and correct maintenance being carried out.



Manufactured in United Kingdom



100% Recycled Aluminium



100% Econyl Recycled Nylon Yarn

ECONYL® Regenerated Solution Dyed Nylon is produced using nylon waste which is recovered from oceans and from landfill. Waste such as fishing nets, fabric scraps, carpet and industrial plastic is recovered, sorted and cleaned. Through a regeneration and purification process, the nylon waste is recycled back into its original purity. ECONYL® Regenerated Solution Dyed Nylon is processed into carpet yarn and used to manufacture several of our matting ranges.

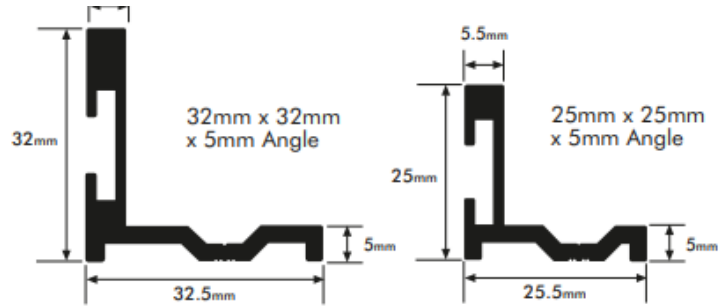


Aluminium Matwell Frames

The ranges of Jaymart Frames are tailor made to your exact requirements. Frames are supplied in kit form with mitred corners, corner brackets and pre-drilled holes for screw fixing or with lugs for screed fixing. We will be pleased to quote for specially shaped frames e.g. circular, semi-circular, irregular dimensioned etc.



50mm x 50mm x 6mm Angle
25mm x 25mm x 3mm Angle

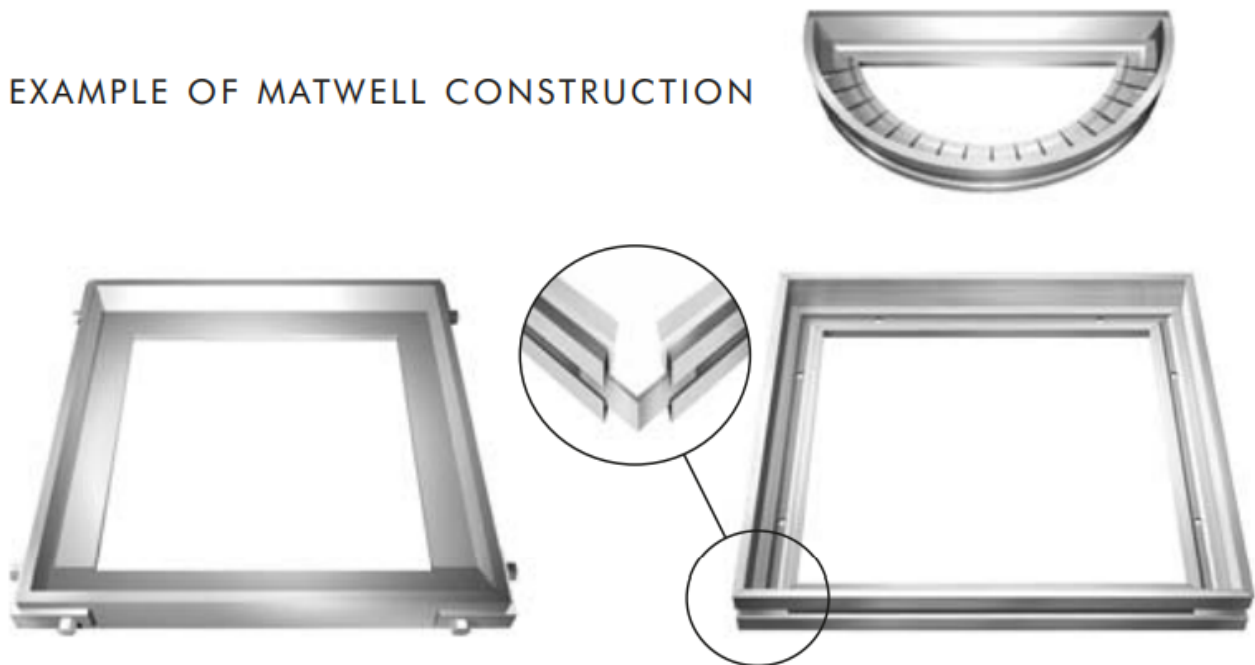


Brass and Anodised Matwell Frames

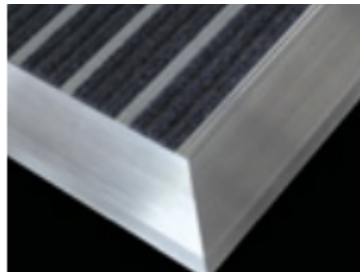
for that extra prestigious look to the entrance foyer a brass or anodised matwell frame is the ideal answer



EXAMPLE OF MATWELL CONSTRUCTION



Aluminium Ramp Frames for surface mounting



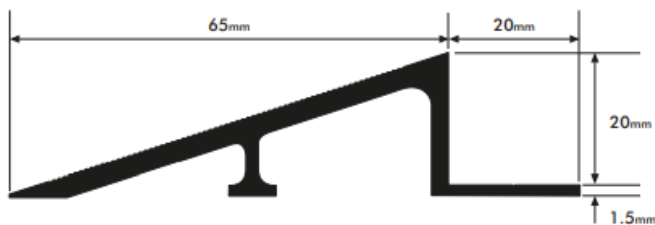
Bevalu II Aluminium Ramping

Bevalu II is a surface mounted aluminium matwell frame with anti-trip bevelled edging for those situations where sunken recesses are impossible or impractical. Bevalu II is supplied either in lengths or in mitred or drilled format for floor fixing with countersunk screws. Fixing is through the flange which is hidden when the mat is in place.

Bevalu II is suitable for a wide range of entrance mats eg. PVC backed coir, Bigfoot, Street Range, Picador etc.

Profile Size

20mm deep x 65mm wide (plus flange)



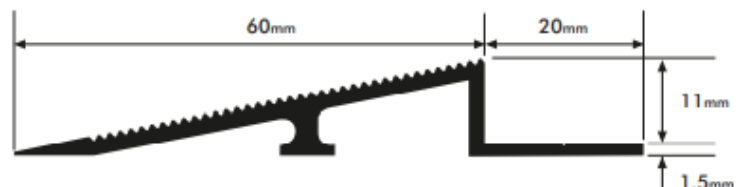
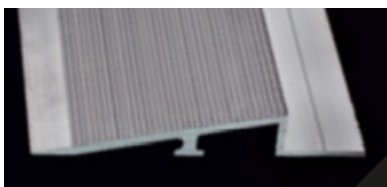
Alu-Ramp Aluminium Ramping

Alu-Ramp is similar to Bevalu II, but made specially for mats of lesser gauge eg Grime Range, Matkandu, Ingenius etc

Again this can be supplied either in lengths or in mitred and drilled formats for screw fixing.

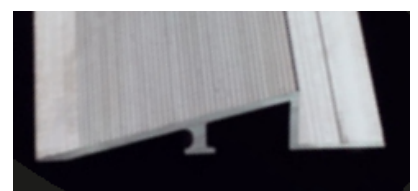
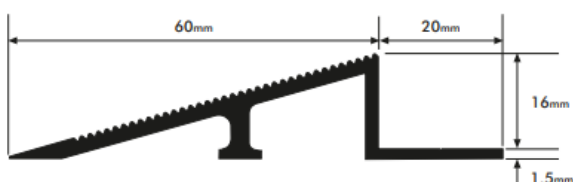
Profile Size

11mm deep x 60mm wide plus flange



Safe- T - Edge

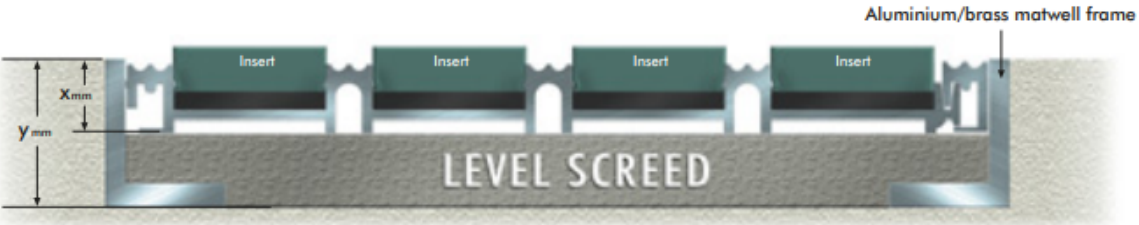
Similar in Design to Bevalu II and Alu- Ramp but to suit our low profile Street Range of mats together with 17mm PVC backed Coir and Alligator Aluminium mat systems.



Fitting Instructions - Recessed Matwell Frame & Entrance Matting

1. The matwell should be dug out to the depth of the frame allowing sufficient space for the matwell frame corner brackets.
2. The matwell frame should be assembled using the external corner bracket (plus nuts and bolts supplied where necessary)
3. The precise position of the matwell frame should be placed in position and the location of the fixing holes marked on the subfloor. using a chalk string line. 90 degree angles should be marked and checked using a set square,
4. The matwell frame should be placed in position and the location of the fixing holes marked on the subfloor.
5. The frame should be moved aside and the subfloor drilled and plugged where it has been marked.
6. The frame should be put back in position taking care to ensure that no distortion occurs. It may be necessary to pack underneath the frame in places where the matwell depth exceeds that of the frame.
7. Screwing the frame to the subfloor should commence in the centre of one side, working towards the corners. At all times care must be taken to ensure that the upright part of the angle section remains vertical, that the frame does not become bowed either horizontally or vertically and that the right angled corners remain at 90 degrees. It may be necessary to brace the frame with temporary battens to reduce the risk of bowing, The number of screws will vary depending on the size and nature of the installation.
8. Once the frame is fully screwed down, build-up and leveling screed be applied to the base of the matwell to reduce its depth to suit the entrance matting. The accuracy of this finish should be checked with a straight edge. No departure greater than 3mm from the bottom of a 3m straight edge is acceptable.
9. The screed should be allowed to fully cure and harden.
10. The entrance mat should then belaid loose in the finished matwell in accordance with the panel layout drawings provided with each matting system.
11. Any gaps between the outer edge of the outer edge of the matwell frame and surrounding subfloor and finish should be grouted.

Recessed matwell sample



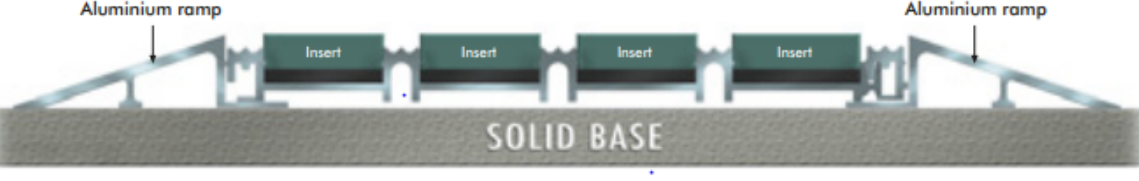
Aluminium/brass matwell frame

LEVEL SCREED

TABLE OF DEPTHS

Matting Type	Recommended Frame Section (Y)	Finished Recess Depth (X) (Dependent on gauge of your choice of insert material)	Surface Mounted Ramping
Street Range Low Profile	32 x 32 x 5mm	16-20mm	Safe-T-Edge
Street Range Standard	32 x 32 x 5mm	20-22mm	Bevalu II
Buffer Zone Range	32 x 32 x 5mm	16-20mm	Safe-T-Edge
Alligator Range	32 x 32 x 5mm	14-20mm	Safe-T-Edge
Grime Range	25 x 25 x 5mm	11-17mm	Alu-Ramp
Grime Rail Firefighter	38 x 38 x 6mm (special section)	14-15mm	Safe-T-Edge

Ramped sample



Aluminium ramp

Aluminium ramp

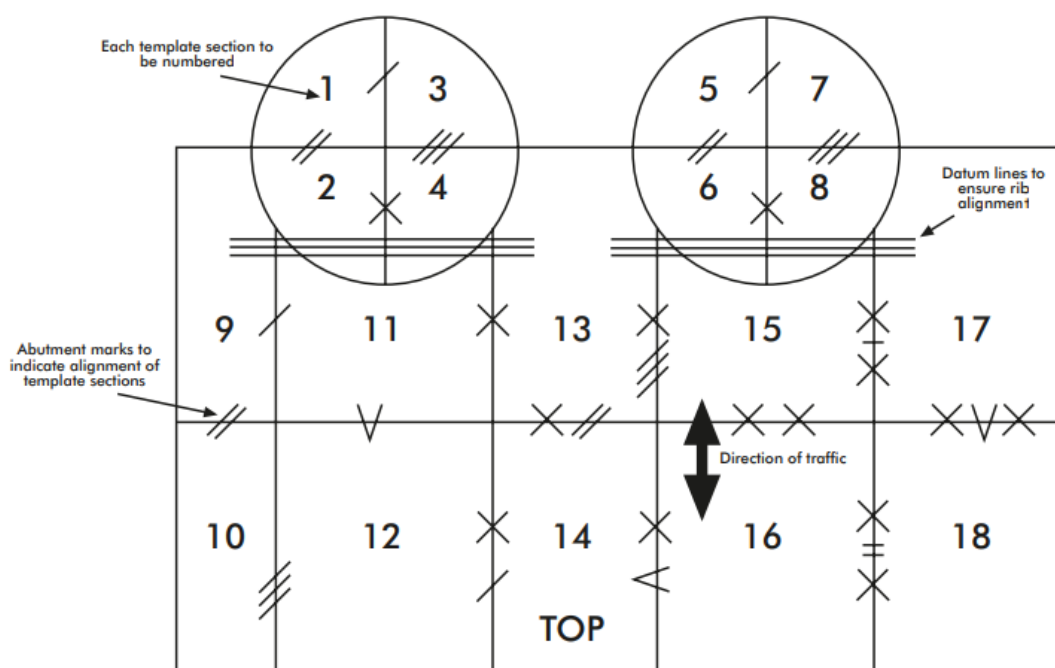
SOLID BASE

Template Production Guide

Hardboard or plywood templates are often required to manufacture non-rectangular, aluminium based entrance matting systems. It is the responsibility of the purchaser to provide these templates. Jaymart aluminium based entrance matting systems are manufactured to extremely close tolerances and it is therefore essential that templates are produced to the same degree of accuracy in relation to the size and shape requirements of the site. The following guidelines are provided to assist the purchaser's template maker in producing accurate templates with which we can work.

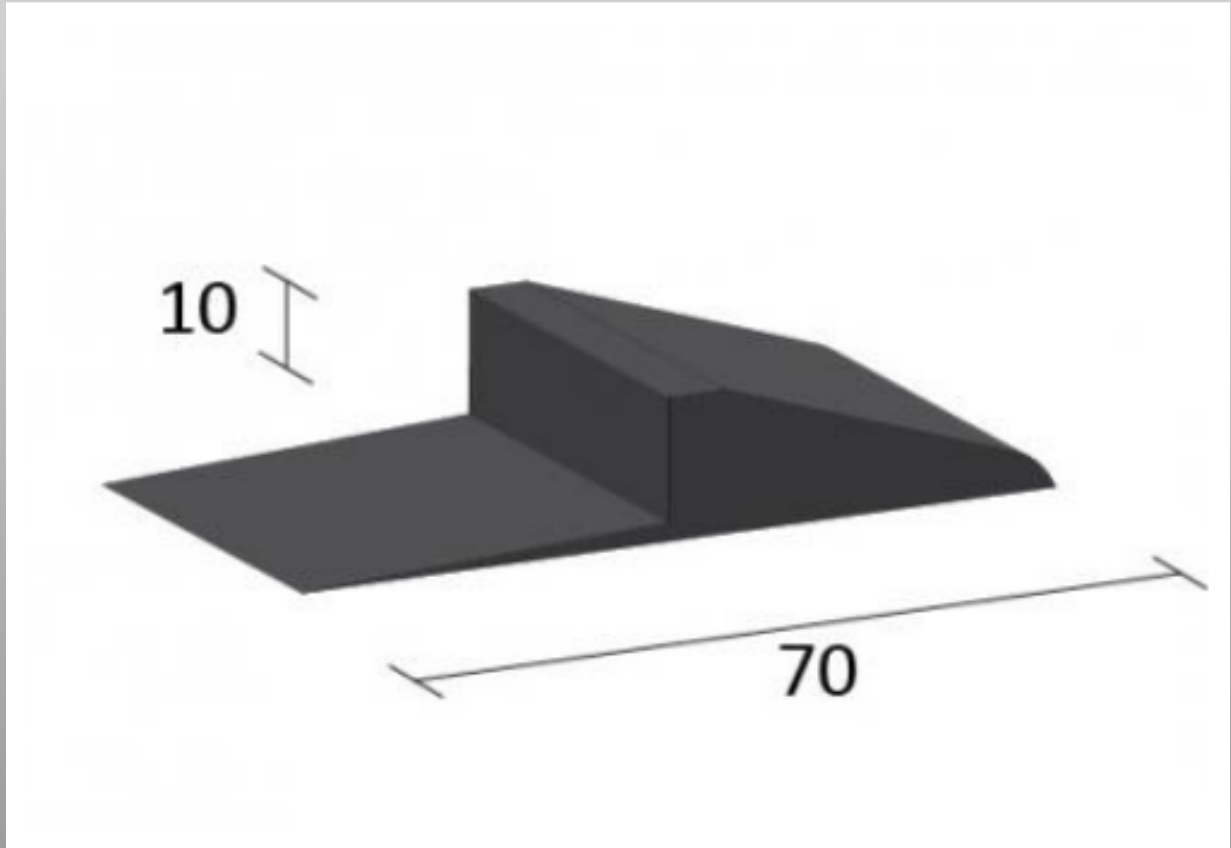
1. Mat templates should be produced following the installation of the matwell frame.
2. Templates must be dimensionally stable. Hardboard and plywood are ideal. Vinyl and paper are not acceptable as they can bend, crease, stretch or shrink out of shape.
3. Templates may be provided in one or more sections. Where more than one section is provided, abutment marks should be made to ensure proper alignment of the template sections. Templates should be marked "TOP", as appropriate.
4. The position of all doors relative to the mat should be marked on the template.
5. The direction of traffic flow should be marked on the template. Bear in mind that foot traffic flow may occasionally change direction after stepping onto a mat. This may require special design features.
6. Templates should be a precise fit within an installed matwell frame. We will slightly reduce the mat size in relation to the template in order to facilitate fitting and removal. Templates made to "actual mat size" are perfectly acceptable but should be marked accordingly. We will then reproduce exactly the size and shape of the template. We do not recommend that previously fitted mats should be used to produce templates.
7. Mat panels will be made to similar size, as appropriate to the overall size and shape of mat required. In the event of particular panel size requirements, we must be informed accordingly. Attention should be paid to such considerations as ease of fitting beneath fixed door leaves, avoiding joints in major traffic paths, aligning mat panel joints in surrounding tile areas etc.
8. Where two mats are installed in close proximity, a datum line running through both templates should be marked and identified accordingly. This line will establish the precise relationship between the mats and enable us to ensure that the ribs align.
9. Templates should be kept dry during making and transportation to our manufacturing facilities.
10. It is the customer's responsibility to deliver templates to our premises.
11. Jaymart retains ownership of the template following manufacture of the mat.

Please remember, the template you provide is our only information regarding your requirements. Any External factors that may affect the installation of the matting system should be clearly marked on the template.



We are happy to recommend and work with experienced matting installation contractors who would be able to shape on site or produce accurate templates on request. Please contact our customer service team for further details.

Product Information Ramped PVC Edging QMS2



Specification

Type	Flexible Ramp Trim
Fitting Method	Contact Adhesive
Environment	Internal
Use With	Resilient Floorcoverings
Width	70mm
Guage	10mm
Floorcovering height one	0mm
Floorcovering Height two	10mm
Joint Width	30mm
Total Profile Width	70mm
Available in lengths	2m long
Colour	Black Only



Jaymart

**Jaymart Rubber &
Plastics Limited**

**Roman Way, Crusader
Park,**

Warminster

BA12 8SP

Tel 01985 218994

**Email:
sales@jaymart.co.uk**

www.jaymart.co.uk