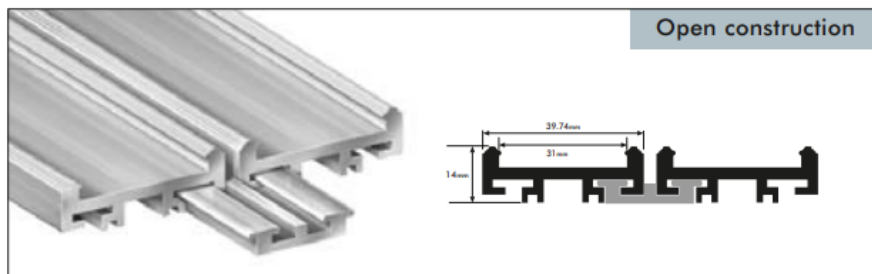
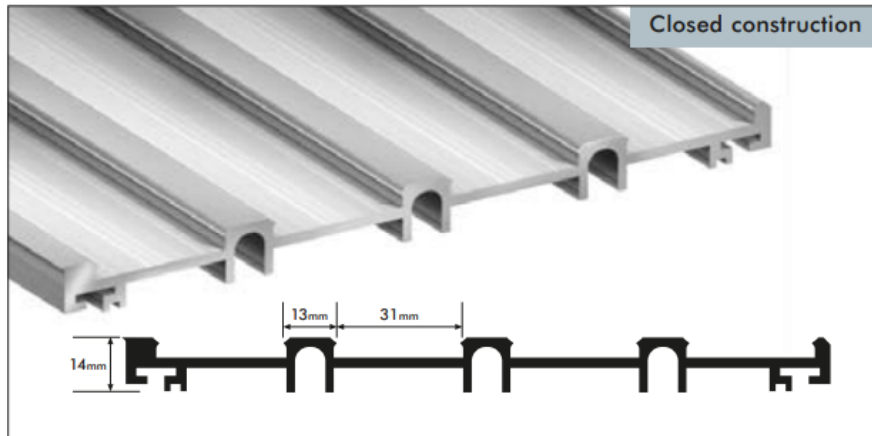


the ALLIGATOR range



Jaymart

Specification Alligator Raincheck

Jaymart Rubber & Plastics Limited

Roman Way

Crusader Park

Warminster

Wiltshire

BA12 8SP

Tel : 01985 218994

email : sales@jaymart.co.uk

Web: www.jaymart.co.uk

NBS SPECIFICATION ALLIGATOR RAINCHECK ENTRANCE MATTING

TYPICAL SPECIFICATION

N10

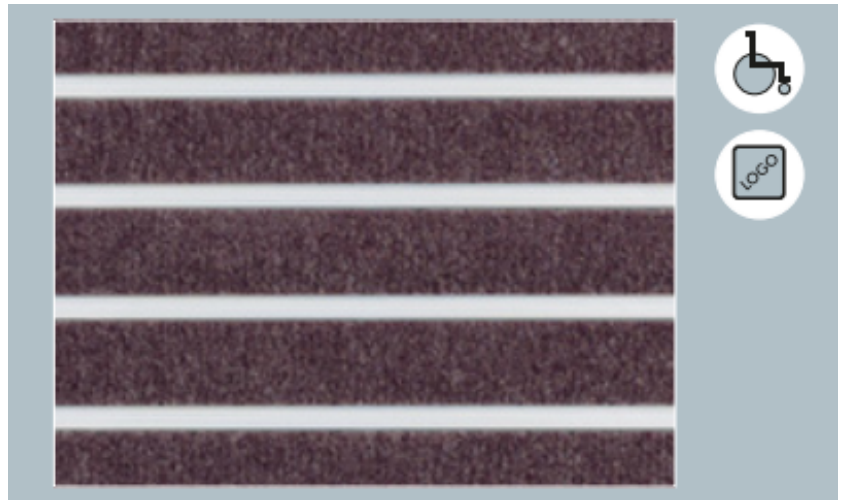
General Fixtures/Furnishings/Equipment

300

Entrance Matting

40

Miscellaneous Fittings



Application

Internal and External High Traffic Areas

Can be combined within a two or more stage system within one mat.

DDA Compliant can be used in conjunction with wheelchairs and shopping trolleys.

Closed Construction and Open Construction Heel Safe

Description

A matting consisting of strips of nylon clean zone carpeting, secured between rigid silver aluminium scraper bars. Designed for indoor use in shops, public buildings, schools, offices, hotels, leisure centres and hospitals.

The matting can be supplied in virtually any size or shape but, for reasons of safe handling, it is recommended that mat sections, which can be butted together, do not exceed 2m²

The Panels interconnect on the front and back panel, the panels on the left to right can make up required by butting panels side by side. The Jaymart system allows for perfect rib alignment without the need for T Bars.

Grime Raincheck is 15mm thick and available in a range of eight single or combined colours

Consult Jaymart Rubber & Plastics Ltd technical literature for details of the colours and finishes available.

Jaymart Rubber & Plastics Ltd can also provide a design and specification service and it is recommended that they be consulted early in the process.

Manufacturer

Jaymart Rubber & Plastics Ltd Roman Way Crusader Park Warminster Wiltshire BA12 BSP

Tel: 01985 218997 Fax: 01985 217417 email : sales@jaymart.co.uk Web: www.jaymart.co.uk

Product Reference

Alligator Raincheck Entrance matting

Aluminium Finishes Available

Standard Mill Finish & Anodised Finishes (Special Order)

Composition

Made from 95% Recycled Aluminium

Size

Specify size and shape but matting should be ordered in sections maximum width 3m wide Panel sections allow for designs

Thickness/ Depth

15mm

Weight

15 kg per m²

Construction

Closed or open

Interlocking Panel System

Pile Type

Construction

100% PA6 Nylon

Fire Rating

CFL - S1

Guarantee/ Warranty

10 year subject to correct maintenance and cleaning procedures being carried out

Colours

Brown, Honey, Terracotta, Burgundy, Hunter Green, Navy Blue, Solid Black and New Charcoal

Interchangeable / Replaceable inserts

Installation

Installed in recessed matwell or surface mounted. with or without frame dependent on floor finishes



Revised 04/02/21