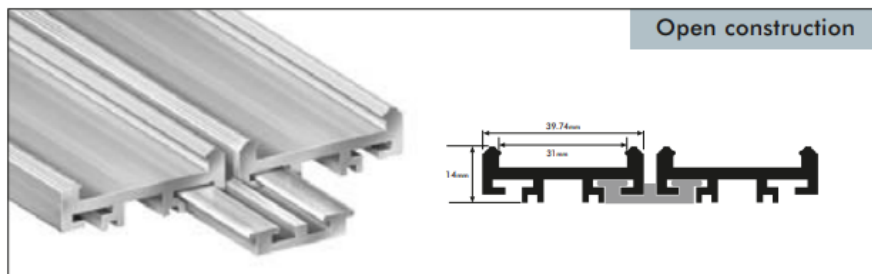
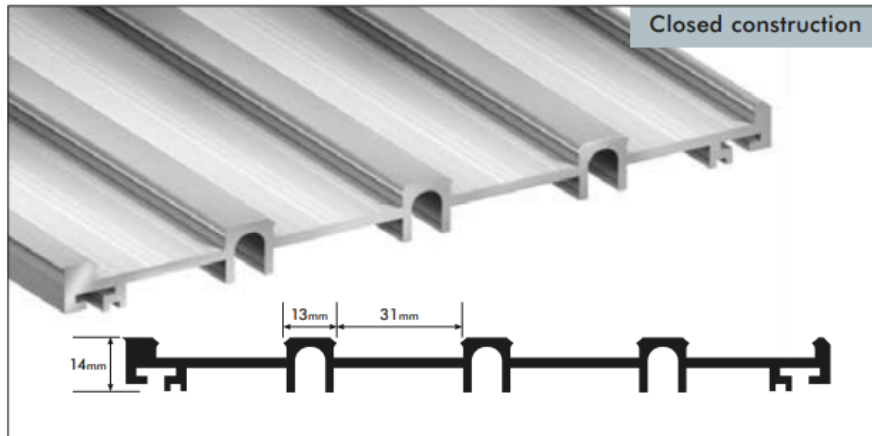


## the ALLIGATOR range



*Jaymart*

# Specification Alligator Forefront

## Jaymart Rubber & Plastics Limited

Roman Way  
Crusader Park  
Warminster  
Wiltshire  
BA12 8SP

Tel : 01985 218994  
email : [sales@jaymart.co.uk](mailto:sales@jaymart.co.uk)  
Web: [www.jaymart.co.uk](http://www.jaymart.co.uk)

# NBS SPECIFICATION ALLIGATOR FOREFRONT ENTRANCE MATTING

## TYPICAL SPECIFICATION

**N10**

**General Fixtures/Furnishings/Equipment**

**300**

**Entrance Matting**

**40**

**Miscellaneous Fittings**



## Application

Internal and External High Traffic Areas

Can be combined within a two or more stage system within one mat.

DDA Compliant can be used in conjunction with wheelchairs and shopping trolleys.

Closed Construction and Open Construction Heel Safe

## Description

A matting consisting of strips of Polypropylene Brush Wiper secured between rigid silver aluminium scraper bars. Designed for indoor or outdoor use in shops, public buildings, schools, offices, hotels, leisure centres, train stations, bus stations and hospitals.

The matting can be supplied in virtually any size or shape but, for reasons of safe handling, it is recommended that mat sections, which can be butted together, do not exceed 2m<sup>2</sup>

The Panels interconnect on the front and back panel, the panels on the left to right can make up required by butting panels side by side. The Jaymart system allows for perfect rib alignment without the need for T Bars.

Alligator Track is 20mm thick and available in black only

Consult Jaymart Rubber & Plastics Ltd technical literature for details of the finishes available.

Jaymart Rubber & Plastics Ltd can also provide a design and specification service and it is recommended that they be consulted early in the design process.

## Manufacturer

Jaymart Rubber & Plastics Ltd Roman Way Crusader Park Warminster Wiltshire BA12 BSP

Tel: 01985 218997 Fax: 01985 217417 email : sales@jaymart.co.uk Web: www.jaymart.co.uk

## Product Reference

Alligator Raincheck Entrance matting

# Aluminium Finishes Available

Standard Mill Finish & Anodised Finishes (Special Order)

## Composition

Made from 95% Recycled Aluminium

## Size

Specify size and shape but matting should be ordered in sections maximum width 3m wide Panel sections allow for designs

## Thickness/ Depth

20mm

## Weight

14.5kg per m<sup>2</sup>

## Construction

Closed or open

Interlocking Panel System

## Pile Type

Construction

100% Polypropylene

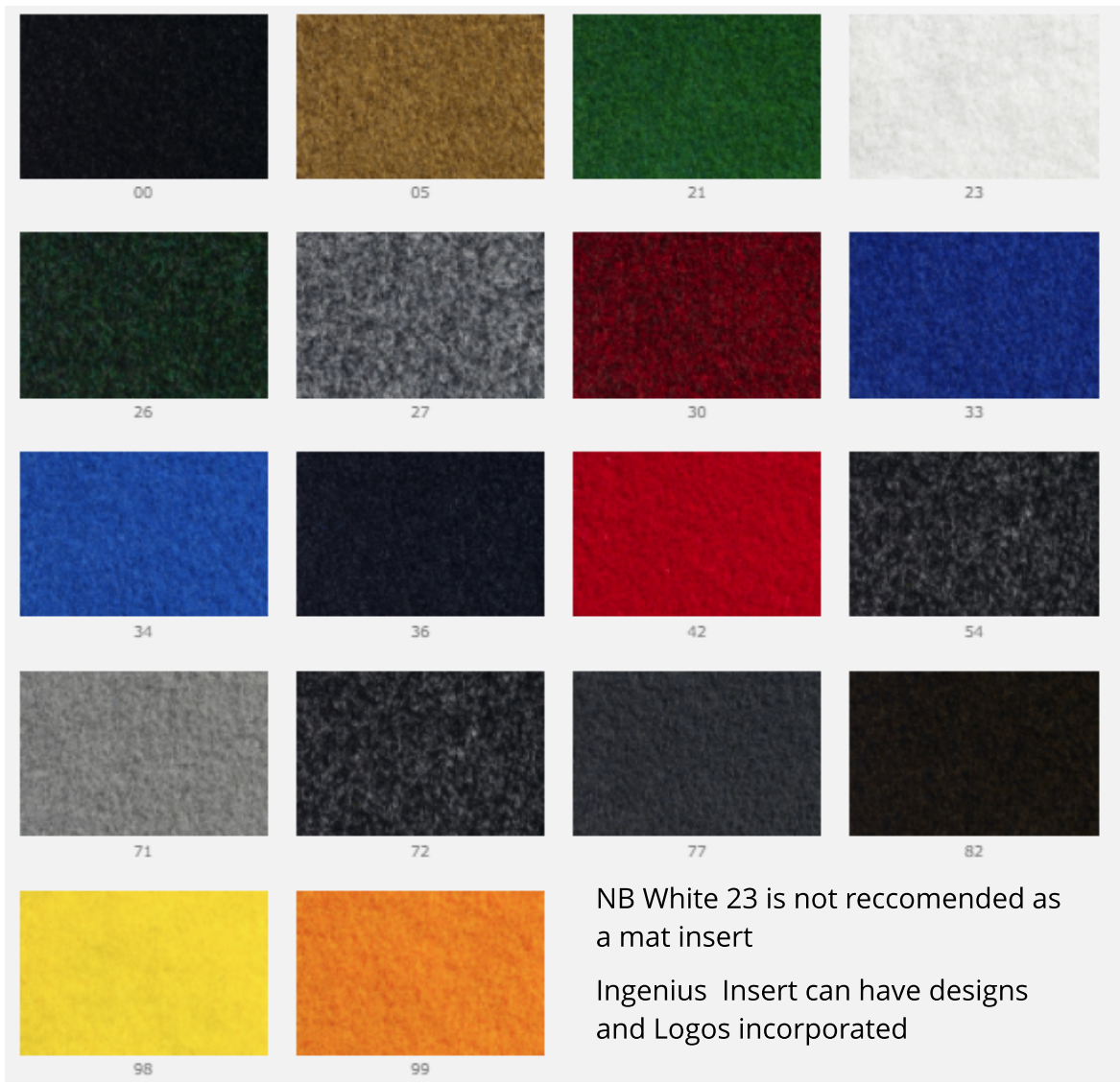
### Floorsymbols



Guarantee/ Warranty

10 year subject to correct maintenance and cleaning procedures being carried out

# Colours



NB White 23 is not recommended as a mat insert

Ingenius Insert can have designs and Logos incorporated



Revised 04/02/21

