

water saving

low use and waterless products



*Armitage
Shanks*
*Ideal
Standard*

For more information on Ideal-Standard visit www.barbourproductsearch.info

water saving

*Armitage
Shanks*

*Ideal
Standard*

water saving

vestale washbasin

Wall mounted handrinse washbasin unit in fine fireclay with exposed or concealed trap connection.

Integral electronic spray tap and strainer waste.

Electronic soap and paper towel dispenser available

- Fine fireclay
- Exposed or concealed trap
- Soap and towel dispenser option
- Commercial or healthcare use



Illustrated

P9001 Vestale wall mounted handrinse washbasin, electronically operated thermostatic spray mixer, strainer waste, concealed outlet bottle trap 75mm seal and wall hanger

P3015 electronically operated wall mounted soap and paper towel dispenser

Material

Fireclay

Weight

Washbasin 35.0kg
Dispenser 5.0kg

Colours

Available in White only

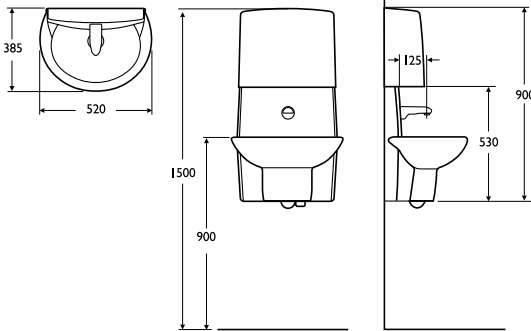
Options

P9002 Vestale washbasin as illustrated but with exposed outlet connection to bottle trap

Special notes

Supplied complete with wall templates showing inlet and outlet.
Suitable for use with Kimberly-Clark paper towels and soap

water saving



water saving

aridian waterless urinal

Vitreous china waterless bowl urinal with exposed outlet and special cartridge.

Saves water, can reduce maintenance costs, is easy to install and requires no cistern or flushpipe.

- Exposed outlet
- Water saving (236,000 litres pa*)
- Cost saving
- Hygienic
- WRAS approved



Illustrated

S6190 (26212WS)
Aridian vitreous china waterless bowl urinal, exposed outlet
renewable cartridge with outlet adapter and fixing hangers
S6120 (2606000)
vitreous china division with hanger and screw

Material

Vitreous china

Weight

Urinal 10.0kg
Division 8.0kg

Colours

Available in White only

Standards

Vitreous china to BS 3402.
WRAS approval

Options

S6192 (26212N5) Aridian waterless bowl urinal exposed outlet and adapter with 50mm O.D. spigot (no cartridge)

Associated products

S6282 (7928100) replacement cartridge
S6283 (7928132) replacement cartridges in boxes of 32

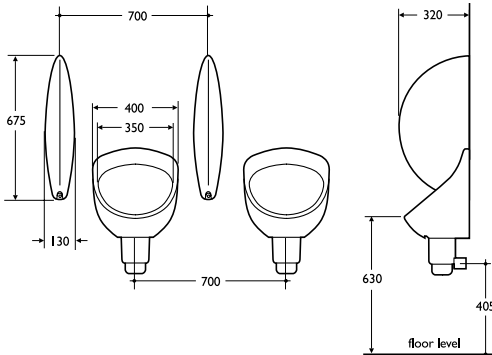
Special notes

Outlet plain 41mm OD tube to push connect to polypropylene wastepipe to BS 5254.
Cartridges last for approximately 7,000 uses.
Installers must ensure that urinals are connected to wastepipe systems which are adequately vented.



S6282

* Estimated saving per bowl, per year based on conventional urinal flushing of 4.5 litres, 6 times per hour, 24 hours per day, 365 days per year



water saving

water saving

aridian waterless urinal

Vitreous china waterless bowl urinal with concealed outlet and special cartridge.

Saves water, can reduce maintenance costs, is easy to install and requires no cistern or flushpipe.

- Concealed outlet
- Anti vandal concealed fixing
- Water saving (236,000 litres pa*)
- Cost saving
- Hygienic
- WRAS approved



Illustrated

S6195 (26202WS)
Aridian vitreous china waterless bowl urinal, concealed outlet renewable cartridge with outlet adapter and fixing hangers and toggle bolts
S6120 (2606000)
division with hanger and screw

Material

Vitreous china

Weight

Urinal 14.0kg
Division 8.0kg

Colours

Available in White only

Standards

Vitreous china to BS 3402.
WRAS approval

Options

S6194 (26202N5) Aridian waterless bowl urinal concealed outlet and adapter with 50mm O.D. spigot (no cartridge)

Associated products

S6282 (7928100)
replacement cartridge
S6283 (7928132)
replacement cartridges in boxes of 32

Special notes

Outlet plain 41mm OD tube to push connect to polypropylene wastepipe to BS 5254.

Cartridges last for approximately 7,000 uses.

Minimum recommended duct depth 10cm

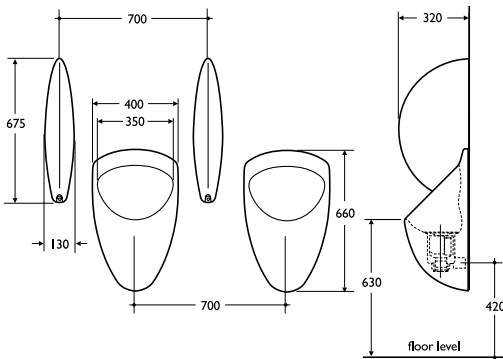
When fitting on panel the bottom access panel should be a maximum of 20cm in height

Installers must ensure that urinals are connected to wastepipe systems which are adequately vented.



S6282

* Estimated saving per bowl, per year based on conventional urinal flushing of 4.5 litres, 6 times per hour, 24 hours per day, 365 days per year



water saving



water saving

Kinloch waterless urinal

Stainless steel waterless trough urinal with exposed outlet and special cartridge.

Bespoke specifications can be made to customers requirements from 60cm to 305cm.

- Water saving
- Cost saving
- Hygienic
- Exposed outlet



Illustrated

S6147 (55111WS)
Kinloch stainless steel waterless trough urinal complete with centre outlet adapter, renewable cartridge and fixing brackets, 120cm long

Material

Stainless steel

Weight

120cm 24.0kg
180cm 31.0kg
240cm 40.5kg

Standards

18 gauge sheet conforming to BS 1449, Part 2:1983

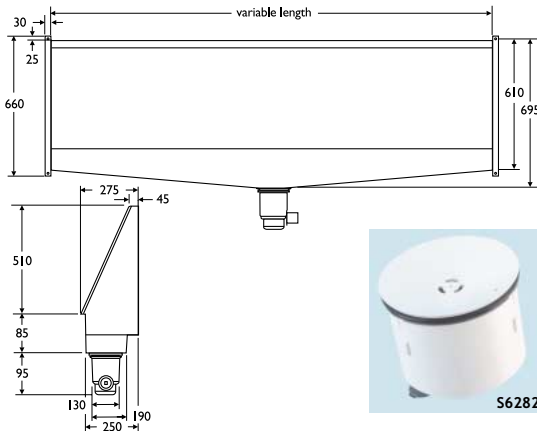
Options

S6148 (55112WS)
180cm length
S6149 (55113WS)
240cm length
Bespoke orders
S6137 (55111SP)
upto 120cm
S6138 (55112SP)
upto 180cm
S6139 (55113SP)
upto 240cm

Special notes

Outlet plain 54.1mm to pushfit to polypropylene wastepipe to BS 5254
Urinals are available with 50mm OD outlet spigot, please specify
Installers must ensure that urinals are connected to wastepipe systems which are adequately vented
Urinals on 2 or more walls can be joined using S6176 (5540100) stainless steel corner plinth

water saving



water saving

sensorflow

Electronic washroom system using a central control unit to manage the economic delivery of water to washbasins, showers and urinals.

- Water saving
- Each unit controls up to 10 devices
- Easy to install
- Wide choice of fittings

Sensorflow washroom systems use an electronic central control unit to manage the economic delivery of water to washbasins, showers and urinals.

A separate device is available for WC flushing (see page 5:6:13). Washbasin spouts with integral infrared proximity sensors are pre-programmed to automatically prompt water flow and preferred run time. Alternatively, spouts or shower heads are available with separate sensors with a choice of run times.

Infrared urinal sensors detect usage and initiate flushing.

Each unit can control up to 10 outlets in any combination of washbasins, showers or urinals and is simply extended by the addition of further control units. The system requires that washbasins and showers are fed by pre-mixed water from a conveniently sited thermostatic valve.

All sensors and control circuits operate on a safe 12 volts transformed from the mains supply and are

supplied with detailed, easy to follow instructions.

How does the system work?

For washbasins, the sensor detects the presence of hands and delivers water whilst they are present, up to a maximum of 2 minutes. Water flow will stop four seconds after hands are removed. For showers and spouts with remote sensors a run time can be chosen of between 7 and 20 seconds or between 30 seconds and 2 minutes, which can be interrupted by a second sensor activation.

For wall urinal flushing, the sensor positioned above the urinal detects usage. There is then the option of choosing the type and frequency of the flush. Frequency can be following every visit or every 30 minutes (assuming the urinal has been used, ie sensor activated for a maximum of 6 seconds).

Method of flush can be via a conventional automatic cistern, storage cistern or mains supply. Flushing using an automatic cistern dispenses 4.5 litres every flush. From storage or mains, a timed flow of water is selected.

For break feed tank bidets - a panel mounted sensor detects close proximity of hands which initiates delivery of pre-mixed water to the bidet.

Each bidet contains its own pre-programmed control unit to optimise performance. Note: This product can be installed in full compliance with UK Water Regulations.

Product Selection Control Unit

S8100 (7963002) switch control unit, to operate up to 10 sensors
Washbasin outlets with integral proximity sensors
S8101 (7882HR2) washbasin mounted proximity sensor spout, complete with solenoid valve, flexible inlet, combined servicing valve and filter, extension cables and earthing clamps
S8102 (7883402) panel mounted proximity sensor spout, complete with solenoid valve, flexible inlet, combined servicing valve and filter, extension cables and earthing clamps

water saving

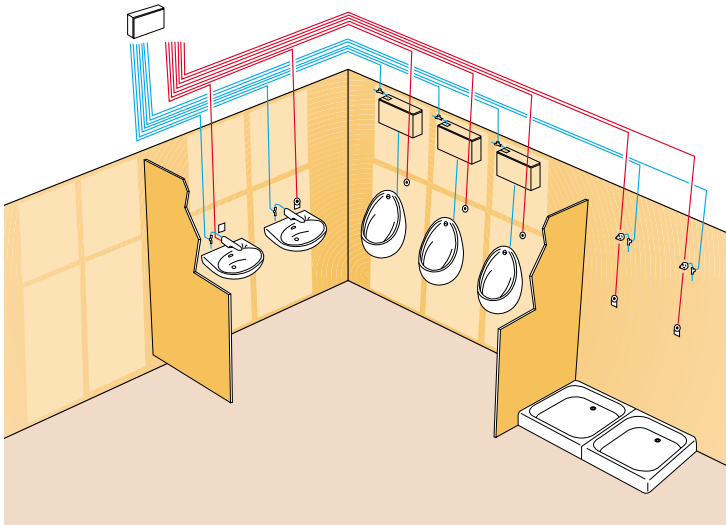


water saving

sensorflow

Electronic washroom system using a central control unit to manage the economic delivery of water to washbasins, showers and urinals.

- Water saving
- Each unit controls up to 10 devices
- Easy to install
- Wide choice of fittings



water saving

Proximity sensors

S8105 (7884002) surface mounted close proximity sensor including earthing clamps and cables
S8106 (7885002) panel mounted close proximity sensor including earthing clamps and cable

Washbasin outlets

S8104 (7887402) panel mounted spout complete with solenoid, flexible inlet, combined servicing valve filter, and earthing clamp extension cable

S8103 (7886402) basin mounted spout complete with solenoid, flexible inlet, combined servicing valve and filter, and earthing clamp

For use with **S8105 (7884002)** or **S8106 (7885002)** sensors

Shower outlets

S8110 (788425H) short projection shower head with surface mounted close proximity sensor, solenoid, combined servicing valve and filter, with extension cable

S8111 (788525H) short projection shower head with panel mounted close proximity sensor, solenoid, combined servicing valve and filter, with extension cable

Urinal proximity sensors

S8116 (7889002) surface mounted urinal sensor, complete with solenoid, combined servicing valve and filter, float switch with cable

S8115 (7888002) panel mounted urinal sensor, complete with solenoid servicing valve and filter, float switch with cable

Automatic cisterns

S6215 (4225100) Conceala plastic automatic cistern 4.5 litre
S6200 (17541WE) Mura vitreous china automatic cistern 4.5 litre for exposed applications. Float switch not used for exposed applications



water saving

sensorflow solo

An electronic water control system for use with a single outlet.

Chrome plated and supplied complete with all necessary components.

- Water saving
- Cost saving
- Hygenic
- Easy clean



Illustrated

S8135AA (7991400CP) Sensorflow Solo high rise washbasin mounted spout with integral sensor servicing valve and filter.

S8136AA (7992400CP) Sensorflow Solo cast

wall mounted spout with integral sensor

S8139AA (7995400CP) Sensorflow Solo tubular

wall mounted 150mm projection spout, spray outlet, remote panel mounted sensor

Options

S8137AA (7993400CP) Sensorflow Solo cast

wall mounted spout with remote panel mounted sensor

S8138AA (7994400CP) Sensorflow Solo cast

wall mounted spout with remote surface mounted sensor

S8140AA (79954G8CP) Sensorflow Solo tubular

wall mounted 150mm projection spout, anti splash outlet, remote panel sensor

S8141AA (7996400CP) Sensorflow Solo tubular

wall mounted 150mm projection spout spray outlet, remote surface sensor

S8142AA (79964G8CP) Sensorflow Solo tubular

wall mounted 150mm projection anti splash outlet, remote surface sensor

S8114AA Sensorflow

Solo tubular wall mounted 230mm projection spout, spray outlet, remote panel mounted sensor

S8113AA Sensorflow

Solo tubular wall mounted 230mm projection spout, spray outlet, remote surface mounted sensor

Special notes

All spouts supplied complete with individual solenoid valve, flexible inlet tail and combined servicing valve and filter

Modes of operation

Spouts with integral sensors detect hands within the sensing range and the solenoid valve is opened. The valve remains open for 5 seconds after the removal of hands and up to a maximum of 30 seconds if a hand or object is continuously detected. Spouts with remote sensors operate differently. When hands are detected within close proximity of the sensor, the solenoid valve opens and water is delivered for a maximum of 30 seconds. The solenoid valve can be closed within this period by a second activation of the sensor.

water saving



water saving

sensorflow solo

An electronic water control system for use with a single outlet.

Chrome plated and supplied complete with all necessary components

- Water saving
- Cost saving
- Hygenic
- Easy clean
- Energy saving



Illustrated

S8144AA Sensorflow Solo shower control for panel mounting with integral touch sensor, and short projection anti-vandal showerhead with concealed inlet tail.

S8112AA Sensorflow Solo WC flushing device, panel mounted sensor complete with concealed valve 6 litre duct cistern

S8147AA Sensorflow Solo urinal control for panel mounting with integral proximity sensor



Options

S8145AA Sensorflow Solo shower control for surface mounting with integral touch sensor, and short projection anti-vandal showerhead with concealed inlet tail.

S8109AA Sensorflow Solo WC flushing device, surface mounted sensor complete with concealed valve 6 litre duct cistern

S8146AA Sensorflow Solo urinal control for surface mounting with integral proximity sensor



Special notes

All controls supplied complete with individual solenoid valve, flexible inlet tail and combined servicing valve and filter. Shower controls are designed for use with pre-mixed water preferably controlled from a separate thermostatic valve either individually or for use in ranges. Our **S7435AA** single point thermostatic valve (page 9:3:19A) or group thermostatic valve for ranges (page 8:1:28) are suitable for these applications.

Solenoid valves (including urinal valves) are designed to operate direct from mains or stored supplies and a minimum water head of 2 metres must be available at the solenoid valve

Modes of operation

Shower sensors detect hands within the sensing range and the solenoid valve is opened.

The valve will remain open for a maximum of thirty seconds even with continuous detection of hands or objects. The sensor must be de-activated and then re-activated and then re-activated to re-open the solenoid valve. The solenoid valve may be closed during any thirty second period by a second activation of the sensor. WC proximity sensors detect hands within the sensing range and initiate flushing of the WC. Urinal sensors detect users who have been in the sensing range for at least ten seconds.

This to prevent 'walk by' activation. The solenoid valve is then opened for ten seconds. If no valid user signal is detected during a 24 hour period, a ten second 'hygiene' flush occurs.

water saving

water saving
spray taps

Taps with spray nozzles provide a convenient method of reducing water usage.

These taps can be either mixer type for hot and cold supplies or single inlet for pre-mixed or cold water.

- Water saving
- Hygienic
- Easy clean



Illustrated

S7445 (8029Y00CP)

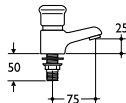
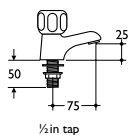
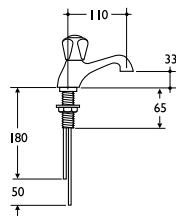
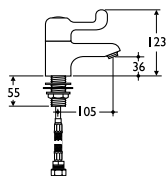
Lever action spraymixer pillar tap, spray outlet, maximum temperature stop, flexible inlet tails

S7440 (6409200)

Nuastyle spraymixer pillar tap, brass handle, spray outlet, 8mm diameter, copper inlet tails

S7102 (697341R)

Nuastyle 1/2in pillar tap with button spray outlet, for cold or pre-mixed supply, all brass anti vandal handle, dual red and blue index discs
S7231 (629141R) Avon 1/2in non-concussive self-closing pillar tap with button spray outlet, for cold or pre-mixed supply, dual hot and cold index discs supplied with each tap



water saving

water saving