

GARTEC 3000 PLATFORM STEP LIFT

The Gartec 3000 Platform Step Lift is a low level travel lift tailored for internal access.

ABOUT

The Gartec 3000 platform step lift is a simple and aesthetically pleasing low travel lift. Ideal for easy internal access, and with impressive safety features, the 3000 is modern, versatile and functional. Stylish finishes and silent operation make the 3000 work in almost any environment - and the small footprint and quick installation make it an easy choice.

FEATURES

- Frameless glass door
- Near silent operation
- Discreet aesthetic
- RAL 9006, custom RAL or stainless steel finish
- Integral handrails
- Anti-slip rubber flooring
- Safety edge

SUSTAINABILITY & ENERGY EFFICIENCY

At Gartec we always look to provide the most eco-friendly lift solutions. We are proud that every step taken from Design to Installation, sustainability and energy efficiency has been factored in to the process. Gartec lifts are manufactured from as much as 92% recycled materials.

SUITABLE APPLICATIONS

A great addition to school environments, offices, homes and many more.

TECHNICAL DETAILS

Type of Lift	Short travel platform lift for public and commercial environments
Usage	Passenger platform lift, ambulant or wheelchair use
Environment	Internal or external
Travel*	600mm - 3000mm
No. of Floors	2
Rated Speed	0.15m/s
Capacity	400kg
Drive System	Belt drive system with emergency battery backup
Machine Room	Integral to guide rails
Controls	Illuminated, constant pressure, optional single touch at landings
Power Required	220-240v, 1ph, 16A, 380-400v, 3ph, 10A, 50Hz
Movement	Supplied, self supporting, glass or solid panels
Gate	Frameless half height gate at top and bottom floor, powered option available
Gate Height	1100mm
Configuration	Through car
Pit/Ramp	75mm pit or integral ramp 75mm pit or integral ramp
Compliance	EN81-41, ISO 9001:2008, 2006/42/EC, 2004/108/EC Part M Compliant, Harmonised standards: EN ISO 12100:2010, EN60204-1:2006

OPTIONS

Location

Internal or external

Gate

Frameless as standard, automatic powered optional

Pit

75mm pit instead of integral ramp

Buttons

Tactile or braille buttons, dual control on platform control panel button configuration, remote control

Safety

Safety edge as standard, under-platform proximity sensor

Communicate

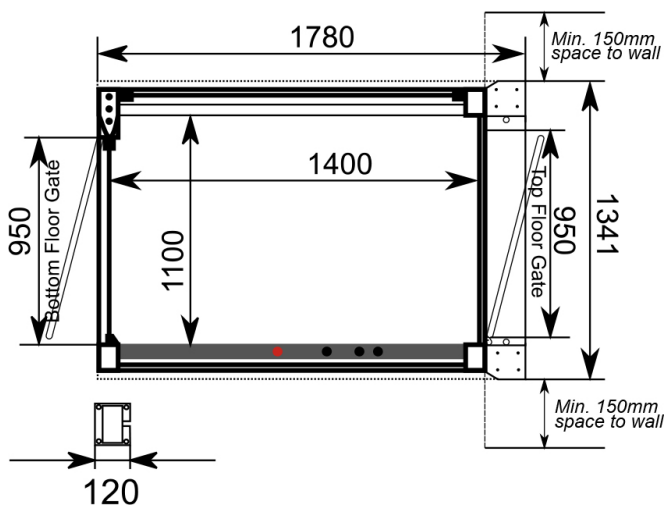
Audible alarm as standard, Autodialler / GSM option

Finishes

RAL 9006 (white aluminium), brushed stainless steel finish, any RAL colour choice

PLAN VIEWS

1100 x 1400mm (standard size)



DIMENSIONS

Platform Size	External Dimension
900 x 1400mm	1100 x 1770mm
1000 x 1400mm	1200 x 1770mm
1100 x 1400mm	1300 x 1770mm

Bespoke platform sizes available upon request

