

MEA 300 CLIPFIX CHANNEL COVERS

A 15, B 125, C 250, D 400**, E 600**

CW 300



BUILDING SUCCESS

PURPOSE OF USE

Channel covers for MEA drainage channels, as part of a drainage system to catch, transport and evacuate rainwater from adjoining surfaces.

** Not suitable for the diagonal or transverse travel of motorways and highways.

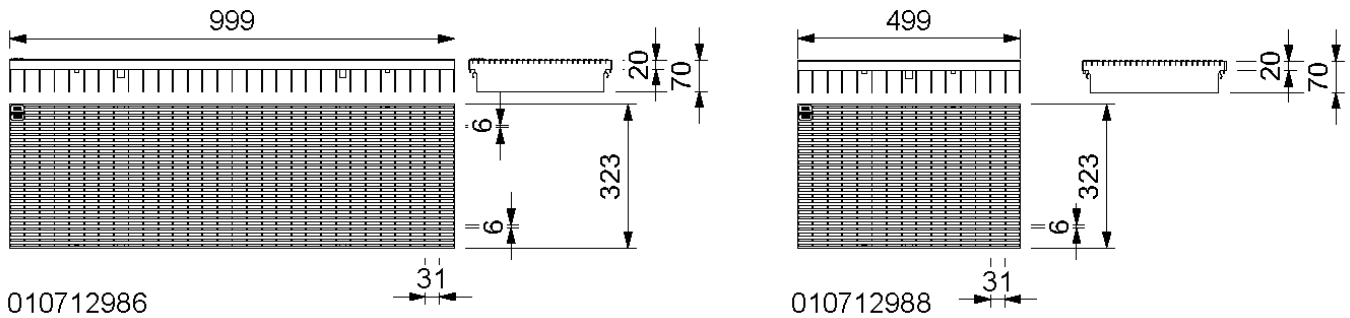
MEA 300 CLIPFIX CHANNEL COVERS

A 15, B 125, C 250, D 400**, E 600**

CW 300

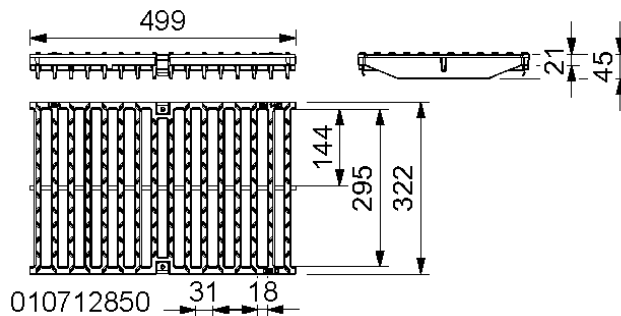
MEA 300 CLIPFIX CHANNEL COVERS

With non-bolted CLIPFIX channel cover securement, with longitudinal shift protection. Suitable for the systems **MEARIN PLUS/EXPERT 300** and **MEADRAIN SV/SE/SG 3000**. For drainage channel body and gully, total width of grates 322 mm.



MEA 300 CLIPFIX, LONGITUDINAL BAR GRATING 31/7, LOADING CLASS B 125 ACCORDING TO EN 1433

Designation	Ord. No.	Material	Length [mm]	Inlet sect. area Ø cm ² /m above	kg/unit
MEA 300 Stainless steel longitudinal-grating-B 125-1 m 31/7 CXL, heelguard *)	010712986	Stainl. steel	1000	1562	7,42
MEA 300 Stainl. Steel longitudinal bar grating-B 125-0,5 m 31/7 CXL, heelguard *)	010712988	Stainl. steel	500	1562	3,76



MEA 300 CLIPFIX, SLOTTED GRATING 18/295, LOADING CLASS C 250 ACCORDING TO EN 1433

Designation	Ord. No.	Material	Length [mm]	Inlet sect. area Ø cm ² /m above	kg/unit
MEA 300 Ductile Iron slotted grating-C 250-0,5 m 18/295 CXL ****)	010712850	Ductile iron	500	1620	13,40

* Delivery time on demand.

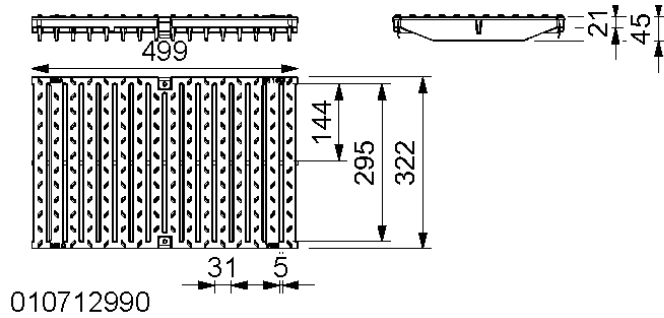
** Not suitable for the diagonal or transverse travel of motorways and highways.

**** The surface coating of ductile iron parts only has a temporary and cosmetic function. Ductile iron is virtually impervious to surface oxidation from environmental influences (e.g. thawing salt). Superficial rust does not constitute a product defect. Of course, the resignation of surface coating is in accordance with all corresponding standards.

MEA 300 CLIPFIX CHANNEL COVERS

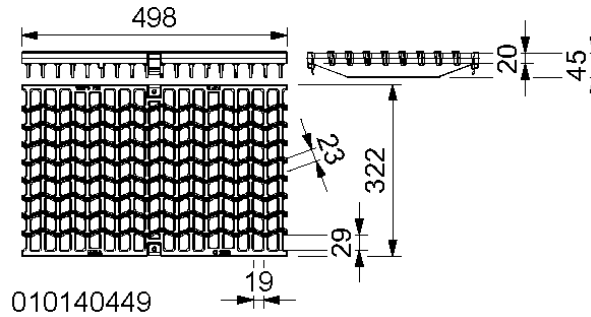
A 15, B 125, C 250, D 400**, E 600**

CW 300



MEA 300 CLIPFIX, SLOTTED GRATING 5/295, LOADING CLASS C 250 ACCORDING TO EN 1433

Designation	Ord. No.	Material	Length [mm]	Inlet sect. area Ø cm ² /m above	kg/unit
MEA 300 Ductile Iron slotted grating-C 250-0,5 m 5/295 CXL, heelguard ****)	010712990	Ductile iron	500	454	15,40



MEA 300 CLIPFIX, WAVE-GRATING 19/24, LOADING CLASS C 250 ACCORDING TO EN 1433

Designation	Ord. No.	Material	Length [mm]	Inlet sect. area Ø cm ² /m above	kg/unit
MEA 300 Ductile Iron WAVE grating-C 250-0,5 m 19/24 CXL ****)	010140449	Ductile iron	500	1780	15,30

** Not suitable for the diagonal or transverse travel of motorways and highways.

**** The surface coating of ductile iron parts only has a temporary and cosmetic function. Ductile iron is virtually impervious to surface oxidation from environmental influences (e.g. thawing salt). Superficial rust does not constitute a product defect. Of course, the resignation of surface coating is in accordance with all corresponding standards.

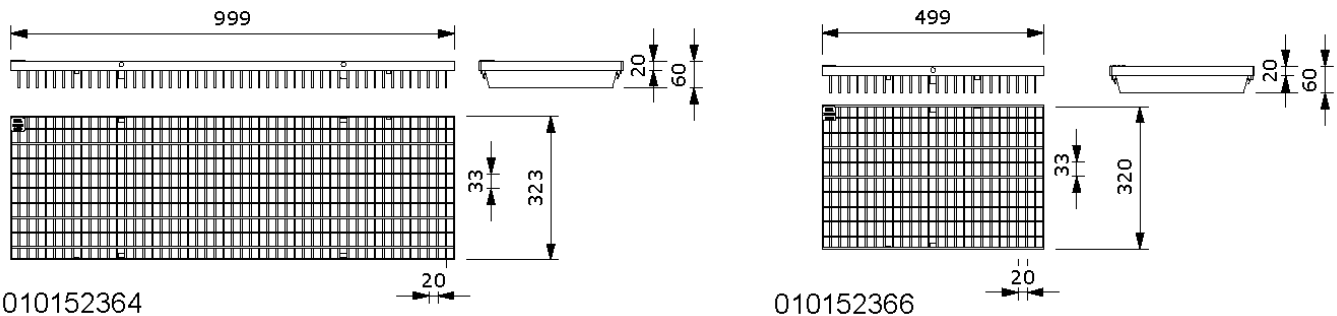
MEA 300 CLIPFIX CHANNEL COVERS

A 15, B 125, C 250, D 400**, E 600**

CW 300

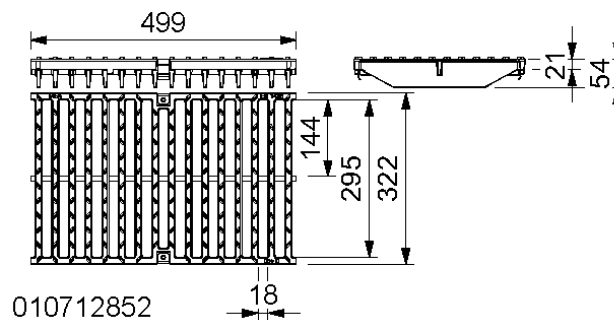


BUILDING SUCCESS



MEA 300 CLIPFIX, MESH GRATING 20/30, LOADING CLASS C 250 ACCORDING TO EN 1433

Designation	Ord. No.	Material	Length [mm]	Inlet sect. area \varnothing cm ² /m above	kg/unit
MEA 300 Galv. mesh grating-C 250-1 m 20/30 CXL	010152364	Galv. steel	1000	2309	31,15
MEA 300 Galv. mesh grating-C 250-0,5 m 20/30 CXL	010152366	Galv. steel	500	2309	16,74
MEA 300 stainless steel mesh grating-C 250-1 m 20/30 CXL *)	010152954	Stainl. steel	1000	2309	31,15
MEA 300 stainless steel mesh grating-C 250-0,5 m 20/30 CXL *)	010152956	Stainl. steel	500	2309	16,74



MEA 300 CLIPFIX, SLOTTED GRATING 18/295, LOADING CLASS D 400** ACCORDING TO EN 1433

Designation	Ord. No.	Material	Length [mm]	Inlet sect. area \varnothing cm ² /m above	kg/unit
MEA 300 Ductile Iron slotted grating-D 400-0,5 m 18/295 CXL **)****)	010712852	Ductile iron	500	1620	16,70

* Delivery time on demand.

** Not suitable for the diagonal or transverse travel of motorways and highways.

**** The surface coating of ductile iron parts only has a temporary and cosmetic function. Ductile iron is virtually impervious to surface oxidation from environmental influences (e.g. thawing salt). Superficial rust does not constitute a product defect. Of course, the resignation of surface coating is in accordance with all corresponding standards.

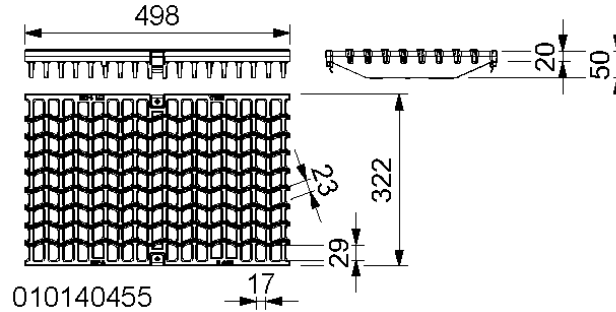
MEA 300 CLIPFIX CHANNEL COVERS

A 15, B 125, C 250, D 400**, E 600**

CW 300

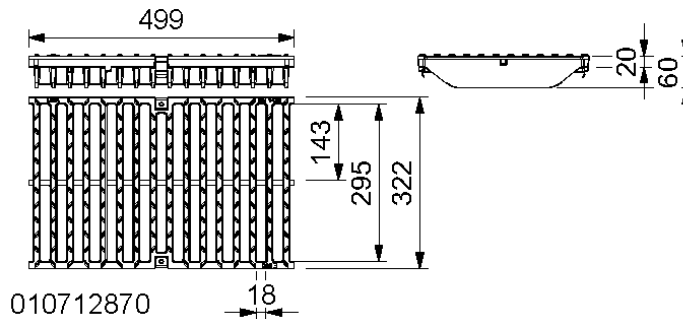


BUILDING SUCCESS



MEA 300 CLIPFIX, WAVE-GRATING 17/24, LOADING CLASS D 400** ACCORDING TO EN 1433

Designation	Ord. No.	Material	Length [mm]	Inlet sect. area Ø cm ² /m above	kg/unit
MEA 300 Ductile Iron WAVE grating-D 400-0,5 m 17/24 CXL (**) ****)	010140455	Ductile iron	500	1780	18,90



MEA 300 CLIPFIX, SLOTTED GRATING 18/295, LOADING CLASS E 600** ACCORDING TO EN 1433

Designation	Ord. No.	Material	Length [mm]	Inlet sect. area Ø cm ² /m above	kg/unit
MEA 300 Ductile Iron slotted grating-E 600-0,5 m 18/295 CXL (*) **) ****)	010712870	Ductile iron	500	1620	19,10

* Delivery time on demand.

** Not suitable for the diagonal or transverse travel of motorways and highways.

**** The surface coating of ductile iron parts only has a temporary and cosmetic function. Ductile iron is virtually impervious to surface oxidation from environmental influences (e.g. thawing salt). Superficial rust does not constitute a product defect. Of course, the resignation of surface coating is in accordance with all corresponding standards.

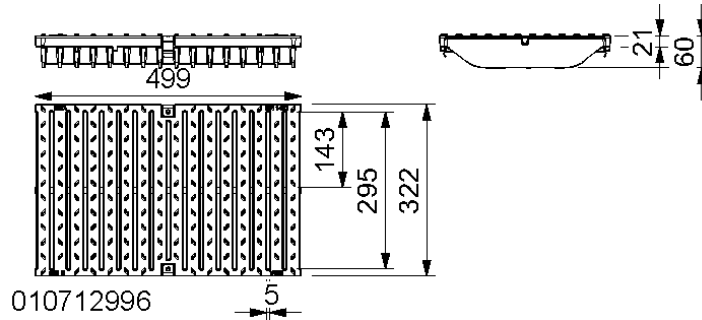
MEA 300 CLIPFIX CHANNEL COVERS

A 15, B 125, C 250, D 400**, E 600**

CW 300

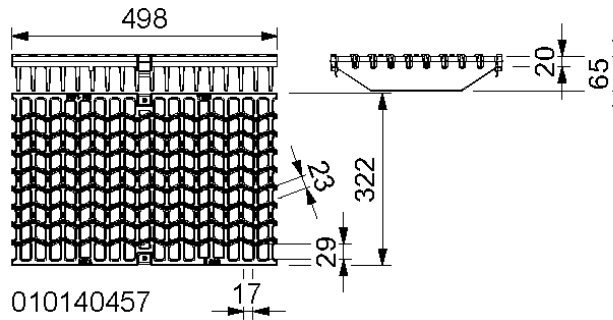


BUILDING SUCCESS



MEA 300 CLIPFIX, SLOTTED GRATING 5/295, LOADING CLASS E 600** ACCORDING TO EN 1433

Designation	Ord. No.	Material	Length [mm]	Inlet sect. area Ø cm ² /m above	kg/unit
MEA 300 Ductile Iron slotted grating-E 600-0,5 m 5/295 CXL, heelguard **) ****)	010712996	Ductile iron	500	450	21,28



MEA 300 CLIPFIX, WAVE-GRATING 19/24, LOADING CLASS E 600** ACCORDING TO EN 1433

Designation	Ord. No.	Material	Length [mm]	Inlet sect. area Ø cm ² /m above	kg/unit
MEA 300 Ductile Iron WAVE grating-E 600-0,5 m 19/24 CXL **) ****)	010140457	Ductile iron	500	1780	23,00

** Not suitable for the diagonal or transverse travel of motorways and highways.

**** The surface coating of ductile iron parts only has a temporary and cosmetic function. Ductile iron is virtually impervious to surface oxidation from environmental influences (e.g. thawing salt). Superficial rust does not constitute a product defect. Of course, the resignation of surface coating is in accordance with all corresponding standards.

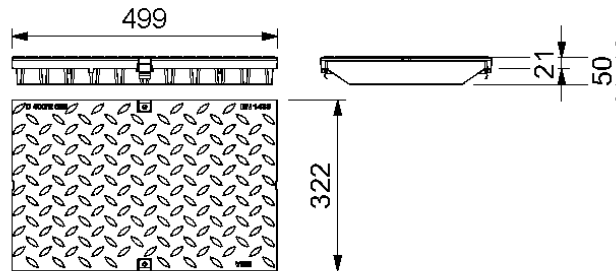
MEA 300 CLIPFIX CHANNEL COVERS

A 15, B 125, C 250, D 400**, E 600**

CW 300



BUILDING SUCCESS



010712853

MEA 300 CLIPFIX, SOLID COVER, LOADING CLASS E 600** ACCORDING TO EN 1433

Designation	Ord. No.	Material	Length [mm]	Inlet sect. area Ø cm ² /m above	kg/unit
MEA 300 Ductile Iron solid grating-E 600-0,5 m CXL **) ****)	010712853	Ductile iron	500	-	17,80

GRID HOOK

Designation	Ord. No.	Material	kg/unit
MEADRAIN/MEARIN Grid hook	010152115	Galv. steel	0,23

** Not suitable for the diagonal or transverse travel of motorways and highways.

**** The surface coating of ductile iron parts only has a temporary and cosmetic function. Ductile iron is virtually impervious to surface oxidation from environmental influences (e.g. thawing salt). Superficial rust does not constitute a product defect. Of course, the resignation of surface coating is in accordance with all corresponding standards.

This edition of the technical data sheet shall be valid from March 2022 until a revised version is published and replaces any previous publications. The respectively current version is available for download at www.mea-group.com.

MEA Bautechnik GmbH
 Business unit Water Management
 Sudetenstraße 1
 86551 Aichach
 Tel.: +49 (0) 82 51. 91 0
 Fax: +49 (0) 82 51. 91 13 06
 E-Mail: info@mea-group.com
www.mea-group.com