



PURPOSE OF USE

Cover for a channel body of a drainage system with a slot-shaped water inlet, for use in areas where a slot drainage is required for aesthetic reasons. In-feed cross-section 90 Ø cm²/m.

MATERIAL

- / Plastic
- / Galvanised steel

ACCESSORIES

- / Revision attachment

DIMENSIONS

- / Length 500 mm
- / Neck height 60 mm

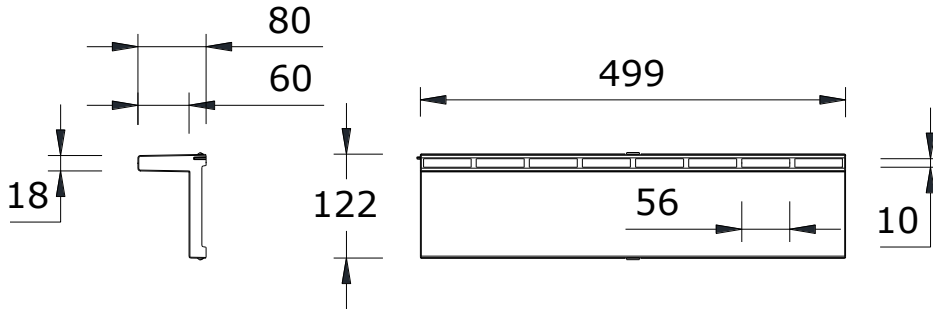
MEA TSC 100 TOPSLOT

A 15

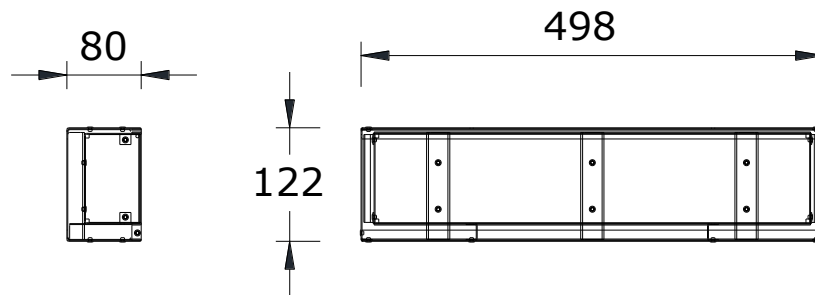
nominal width 100

MEA TSC 100 TOPSLOT MADE OF PLASTIC

With screw less grating protection, suitable for the systems MEAHOME PLUS and MEAFLUID 100, loading class A 15 according to EN 1433. For channel units and silt boxes. Total width of gratings 122 mm. Load capacity according to specification, when installed according to the MEA installation information.



TSC 100



TSC 100 R

MEA TSC 100 TOPSLOT LATERAL, NECK HEIGHT 60 MM, LOADING CLASS A 15 ACCORDING TO EN 1433

| Description | Order No. | Material | Length (mm) | Inlet sect. area Ø cm ² /m | kg/unit |
|--|-----------|-------------|-------------|---------------------------------------|---------|
| MEA TSC 100/60 TOPSLOT-A-PP-0,5 m ²²⁾ | 010152860 | PP | 500 | 90 | 0,45 |
| MEA TSC 100.R/60-Revision attachment-A-vz-0,5 m ²²⁾ | 010152859 | Galv. steel | 500 | 90 | 8,00 |

22) Grating/grates loading class A 15 according to DIN EN 1433.

This edition of the technical data sheet shall be valid from 26.08.2019 until a revised version is published, and replaces any previous publications. The respectively current version is available for download at www.mea-group.com.

MEA Bautechnik GmbH
 Business Unit MEA Water Management
 Sudetenstraße 1
 86551 Aichach
 Tel.: +49 (0) 82 51. 91 0
 Fax: +49 (0) 82 51. 91 13 06
 E-Mail: info@mea-group.com
www.mea-group.com