

Ribbon.



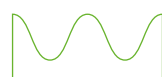
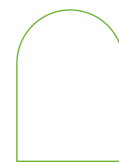
furnitubes
shaping outdoor spaces





Ribbon.

Stylish, simplistic design



Ribbon seating offers attractive and stylish seating at affordable prices. Available in two sizes, Ribbon standard and Ribbon XL, the range is designed in-house using standardised components that produce a simple and minimalist design.

Along with standard seats and benches, a variety of unique designs have been created, including the dual-function Ribbon multi seat / table - a great addition to schools, universities, play areas, and hospitality settings. And the Ribbon XL Recliner - offering a relaxed seating solution in parks and private gardens.

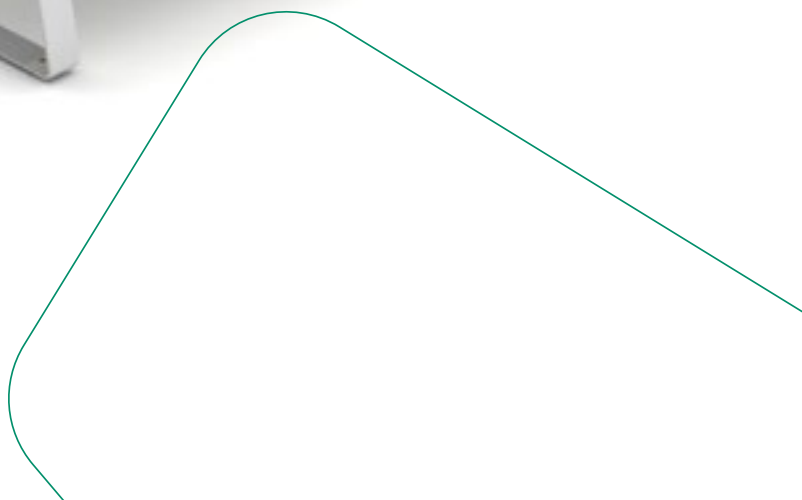
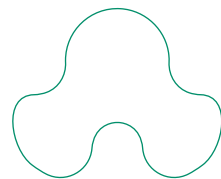
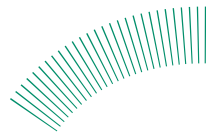
All Ribbon and Ribbon XL units are manufactured using recycled steel and seating platforms with legally sourced

certified iroko timber slats which are available in four lengths, to form from one-person units up to four-person.

A matching Ribbon cycle stand is also offered in the range to create a coordinated suite across a scheme.

Why choose Ribbon?

- Cost-effective contemporary solution
- Designed and made by us, in the UK
- Easy to install - bolt-down or freestanding (XL version only)
- Available in many shapes and sizes to suit any requirement
- Coordinated cycle stand



Seating, in two sizes.

Ribbon - Standard

- Slick, stylish, affordable design
- Removable slats for easily repair and maintenance
- Visually light but very robust
- Seats can be left freestanding (recommended on secure sites only)
- Armrests integrated as part of the bench / seat support
- Choice of benches, seats plus a multi-seat / table option



Ribbon - XL

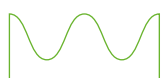
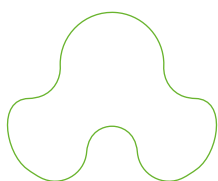
- Solid, heavy construction - ideal for busy public areas
- Increased seating platform depth allows perch seating from both sides on benches
- Can be bolted down or freestanding
- Timber fascia boards with rounded top edge for added comfort
- Choice of benches, seats, plus a recliner option



Ribbon Standard.

With the Ribbon standard range, you'll find a sleek design that's simple and stylish. Designed to accommodate one person, as a single seating solution or up to four people.

Particularly suitable for housing developments and education establishments due to its practical and affordable design.



Standard Ribbon Bench.

Users can sit on the bench from both sides, either facing the same or different directions. Benches in any environment make excellent 'short stay' seating.

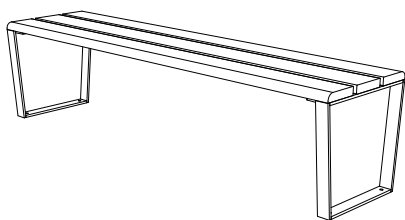
Choose your Ribbon bench with or without armrests - benches comprises iroko timber slats and recycled steel supports in either powder coated or stainless finish.

Steel bench supports, triple processed, with iroko timber slats in smooth planed finish

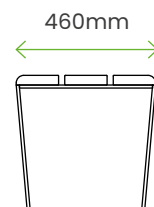
Options

- Bench supports powder coated to any RAL colour
- Bench supports in stainless steel (further grades and finish options)
- Timbers with UV protective finish
- Flat-pack components for on-site assembly

Standard benches without arms

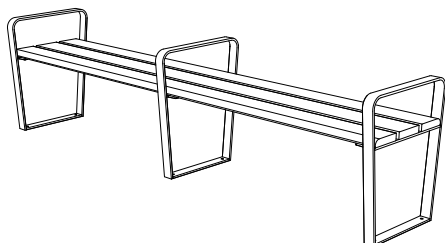


Model shown: RIBB6

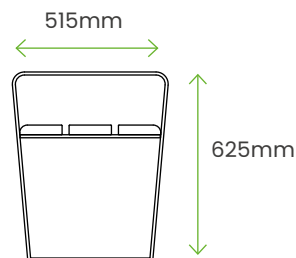


BENCH (SINGLE), 600MM LONG	RIBB2
BENCH, 1200MM LONG	RIBB4
BENCH, 1800MM LONG	RIBB6
BENCH, 2400MM LONG, WITH MIDDLE SUPPORT WITHOUT ARM	RIBB8

Standard benches with arms



Model shown: RIBB8AM



BENCH (SINGLE), 600MM LONG	RIBB2A
BENCH, 1200MM LONG	RIBB4A
BENCH, 1800MM LONG	RIBB6A
BENCH, 2400MM LONG, END SUPPORTS WITH ARMS	RIBB8A
BENCH, 2400MM LONG, END SUPPORTS WITH ARMS, PLUS MID SUPPORT & ARM	RIBB8AM
BENCH, 2400MM LONG WITH MID ARM (END SUPPORTS WITHOUT ARMS)	RIBB8C

Standard Ribbon Seat.

Seats with backs are particularly suited to placement where longer stay seating is required as the back-rest support offers greater comfort. Ribbon seats are simply-styled, with the seat support integrating both the backrest and armrest.

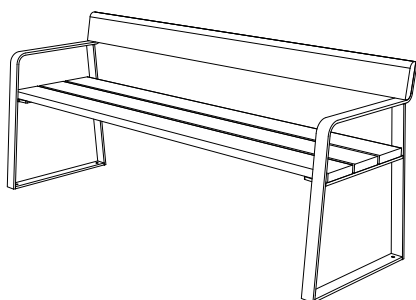
Armrests are useful for less able-bodied people as they provide an aid to lowering down onto and getting back up from the seat.

Steel bench supports, triple processed, with iroko timber slats in smooth planed finish

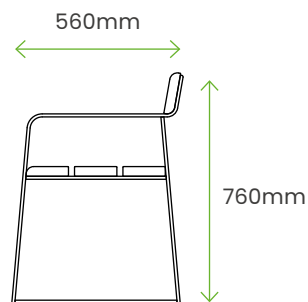
Options

- Seat supports powder coated to any RAL colour
- Seat supports in stainless steel (further grades and finish options)
- Timbers with UV protective finish
- Flat-pack components for on-site assembly

Standard Ribbon seats (with arms only)



Model shown: RIB6A



SEAT (SINGLE), 600MM LONG, END SUPPORTS WITH ARMS

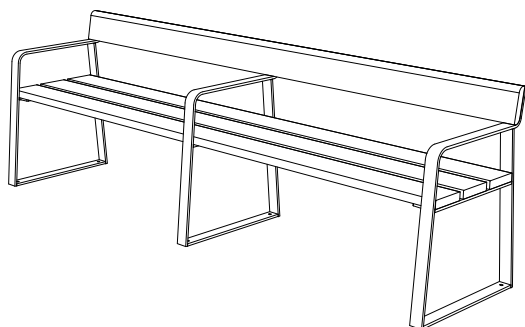
RIB 2A

SEAT, 1200MM LONG, END SUPPORTS WITH ARMS

RIB 4A

SEAT, 1800MM LONG, END SUPPORTS WITH ARMS

RIB 6A



Model shown: RIB8AM

SEAT, 2400MM LONG, END & MID SUPPORTS WITH ARMS

RIB 8AM

Ribbon Multi-Seat.

The unique Ribbon multi-seat is of dual-function, doubling up as a two-tier seating unit and when bolted together creates a full picnic set. This makes the Ribbon multi-seat ideal for education, hospitality environments or roof-tops.

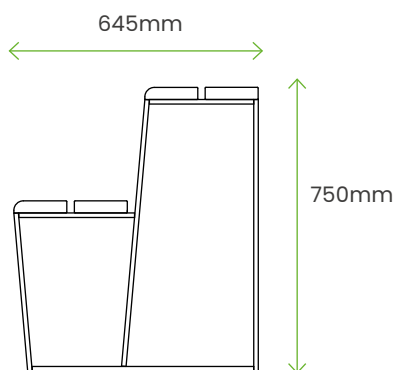
As is characteristic of the entire Ribbon seating range, the recycled steelwork frame is visually light but structurally very strong and has removable timber slats for easy repair and maintenance.

Steel bench supports, triple processed, with iroko timber slats in smooth planed finish

Options

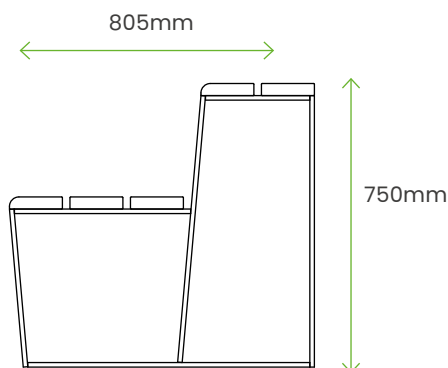
- Timbers with UV protective finish
- Seat supports powder coated to any RAL colour
- Seat supports in mild steel galvanised finish only
- Seat supports in stainless steel (further grades and finish options)
- Flat-pack components for on-site assembly

2-Slat lower seat



1 PERSON BENCH, 600MM LONG	RIB 2M2
2 PERSON BENCH, 1200MM LONG	RIB 4M2
3 PERSON BENCH, 1800MM LONG	RIB 6M2
4 PERSON BENCH, 2400MM LONG, WITH MIDDLE SUPPORT	RIB8M2
FIXING KIT FOR ASSEMBLY OF BACK-TO-BACK UNITS	RIB FIX

3-Slat lower seat

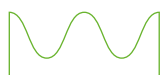


1 PERSON BENCH, 600MM LONG	RIB 2M3
2 PERSON BENCH, 1200MM LONG	RIB 4M3
3 PERSON BENCH, 1800MM LONG	RIB 6M3
4 PERSON BENCH, 2400MM LONG, WITH MIDDLE SUPPORT	RIB 8M3
FIXING KIT FOR ASSEMBLY OF BACK-TO-BACK UNITS	RIB FIX

Ribbon XL.

Ribbon XL offers more generous seating to that of the standard to accommodate how people use street furniture. Wider seating to allow back to back sitting, perching and generally allowing more space between users.

The range is able to be left freestanding, on appropriate sites.



Ribbon Bench XL.

The Ribbon bench is designed with a 720mm deep seating surface allowing it to be used as perch seating from both sides at the same time, doubling the seating capacity.

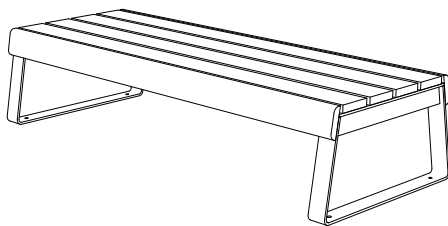
Armrests are offered as integral features to steel platform supports or as add-on features fixed to the timber seating platform.

Steel bench supports, triple processed, with iroko timber slats in smooth planed finish

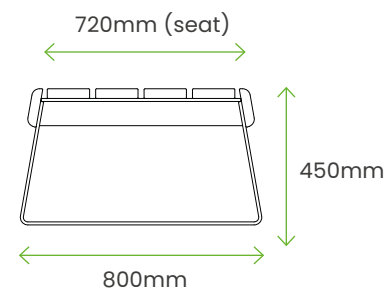
Options

- Bench supports powder coated to any RAL colour
- Bench supports in stainless steel (further grades and finish options)
- Timbers with UV protective finish
- Flat-pack components for on-site assembly

XL benches without arms

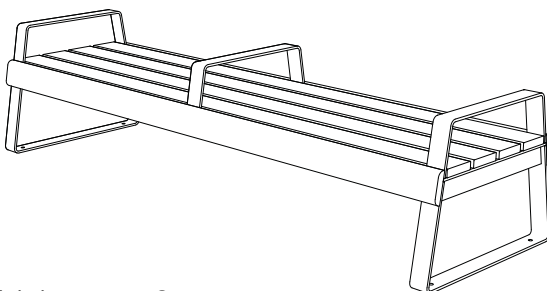


Model shown: RIXB6

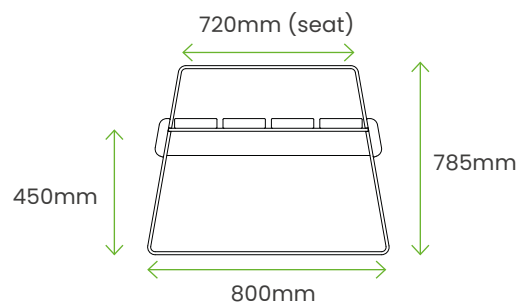


BENCH (SINGLE), 800MM LONG, WEIGHT 60KGS	RIX B2
BENCH, 1340MM LONG, WEIGHT 75KGS	RIX B4
BENCH, 1970MM LONG, WEIGHT 80KGS	RIX B6
BENCH, 2600MM LONG, WEIGHT 95KGS	RIX B8

XL benches with arms



Model shown: RIXB8AM



BENCH, 2400MM LONG, END & MID SUPPORTS WITH ARMS	RIXB 2A	BENCH, 2600MM LONG, END SUPPORTS WITH ARMS, WEIGHT 105KGS	RIXB 8A
BENCH, 1340MM LONG, END SUPPORTS WITH ARMS, WEIGHT 90KGS	RIXB 4A	BENCH, 2600MM LONG, END SUPPORTS WITH ARMS, PLUS MID ARM, WEIGHT 110KGS	RIXB 8AM
BENCH, 1970MM LONG, END SUPPORTS WITH ARMS, WEIGHT 95KGS	RIXB 6A	BENCH, 2600MM LONG WITH MID ARM (END SUPPORTS WITHOUT ARMS), 100KGS	RIXB 8M

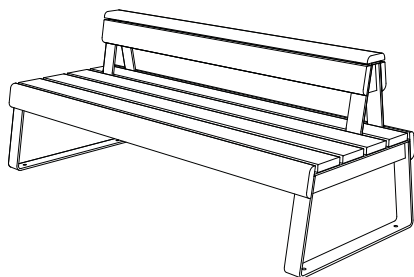
Ribbon Seat XL.

The Ribbon Seat is also designed with a 720mm deep seating surface but comes with a backrest.

Armrests are offered as integral features to steel platform supports or as add-on features fixed to the timber seating platform.

Steel bench supports, triple processed, with iroko timber slats in smooth planed finish

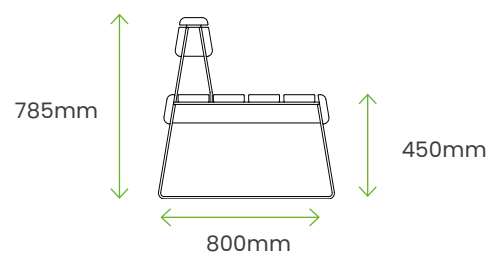
XL seats without arms



Model shown: RIXB6

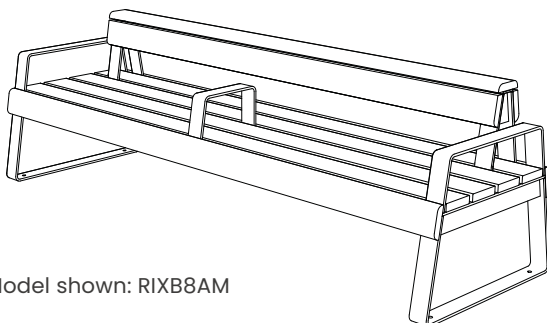
Options

- Bench supports powder coated to any RAL colour
- Bench supports in stainless steel (further grades and finish options)
- Timbers with UV protective finish
- Flat-pack components for on-site assembly

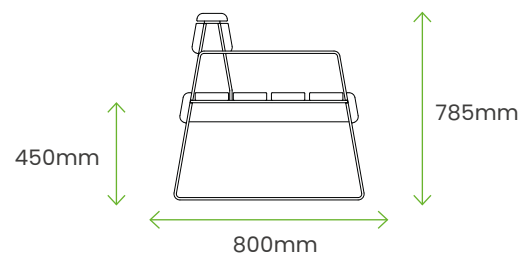


SEAT (SINGLE), 800MM LONG, WEIGHT 75KGS	RIX 2
SEAT, 1340MM LONG, WEIGHT 90KGS	RIX 4
SEAT, 1970MM LONG, WEIGHT 110KGS	RIX 6
SEAT, 2600MM LONG, WEIGHT 125KGS	RIX 8

XL seats with arms



Model shown: RIXB8AM



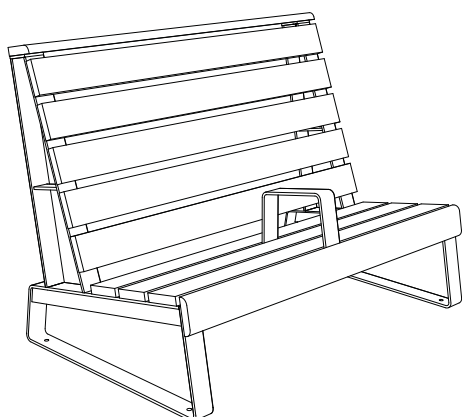
SEAT (SINGLE), 800MM LONG, END SUPPORTS WITH ARMS, WEIGHT 85KGS	RIXB 2A
SEAT, 1340MM LONG, END SUPPORTS WITH ARMS, WEIGHT 105KGS	RIXB 4A
SEAT, 1970MM LONG, END SUPPORTS WITH ARMS, WEIGHT 120KGS	RIXB 6A

SEAT, 2600MM LONG, END SUPPORTS WITH ARMS, WEIGHT 140KGS	RIB 8AM
SEAT, 2600MM LONG, END SUPPORTS WITH ARMS, PLUS MID ARM, WEIGHT 145KGS	RIXB 8AM
SEAT, 2600MM LONG WITH MID ARM (END SUPPORTS WITHOUT ARMS), 130KGS	RIXB 8M

Ribbon Recliner XL.

The Ribbon XL recliner is a unique addition to the collection, designed to enhance the enjoyment of leisure environments such as parks and gardens. Its sloped seating surface and high back allow users to relax and enjoy the surroundings.

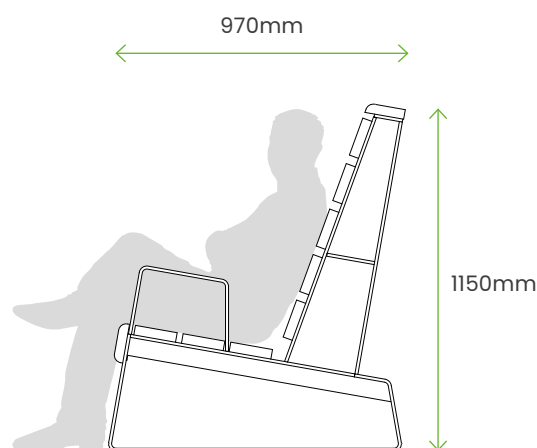
The recliner is available as a two-seater unit, with the central armrest as standard, inclusively designed to assist users in getting off the seat. As with other XL range products.



Steel bench supports, triple processed, with iroko timber slats in smooth planed finish

Options

- Seat supports powder coated to any RAL colour
- Seat supports in stainless steel (further grades and finish options)
- Timbers with UV protective finish
- Flat-pack components for on-site assembly



Recliner code

RECLINER, 1500MM LONG, WEIGHT 120KGS

RIXRC 4M

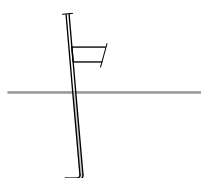


Ribbon Cycle Stand.

The Ribbon cycle stand provides a coordinated approach across a scheme where Ribbon seating is used. Two standard size options are available – a short version to match the profile of the bench support and a larger model of more conventional cycle stand scale. Produced from a 10mm thick solid flat bar and with a standard taper bar to assist the visually impaired.

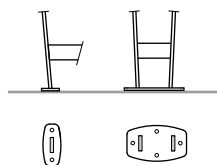
Available as in-ground or bolt-down versions, it comes in 3 finishes: triple-processed, stainless steel, and polyamide (black and grey).

Root Fixed versions



Uprights extend 300mm below ground, with a returned end to aid embedment in concrete.

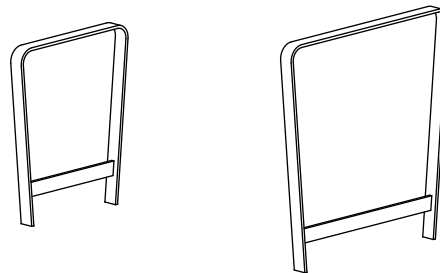
Bolt down versions



RIB 515 & 750 have a base plate on each upright & RIB 195 has a single plate. Fixing holes are Ø12.



Galvanised steel, Root Fixed



STANDARD CYCLE STAND, GALV STEEL, ROOT FIXED 515 X 625 A/G - 300 B/G

RIB 515

LARGE CYCLE STAND, GALV STEEL, ROOT FIXED 750 X 800 A/G - 300 B/G

RIB 750

Need to see more?

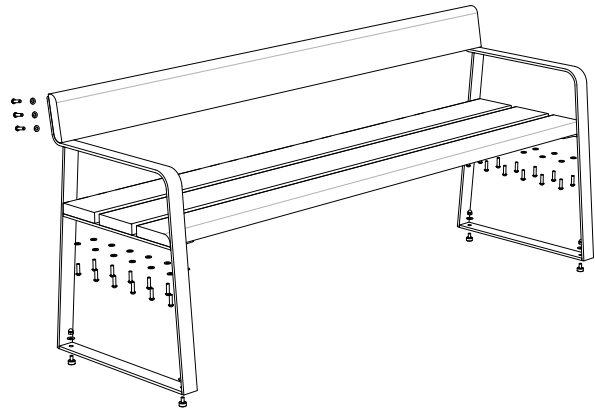
View our full range of cycle stands here.

here

Delivery.

Fully Assembled

- Set up and go
- Minimises time required for site installation
- Labour costs reduced
- Ground fixings not supplied



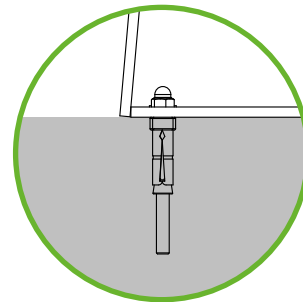
Installation.

All Ribbon seating products are pre-fitted with nylon feet, which prevent the steelwork from marking the paving if the seats are free-standing, and

also protects the steelwork from being abraded by paving, especially if the steelwork is coated.

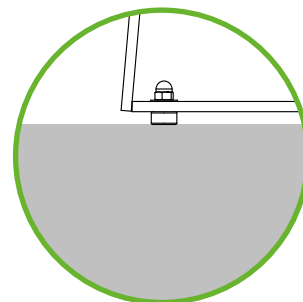
Bolt-down seating

In public areas we recommend that the steel support frames of the Ribbon range are bolted down to the ground for a permanent installation. To prevent damage to the steelwork or paving during installation, the feet should be left in place until their location has been determined. When the feet are removed the vacated holes can be used for an M10 ground anchor fixing (not supplied)



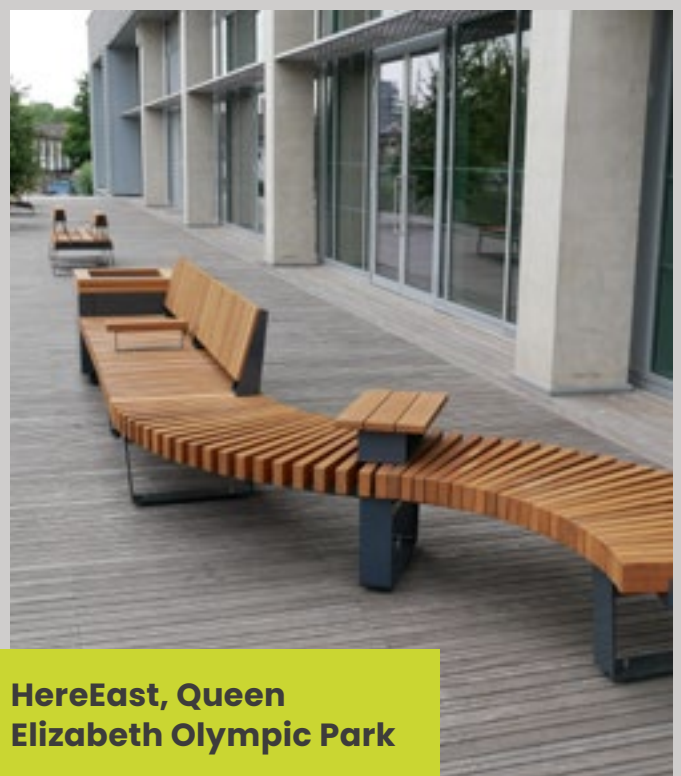
Freestanding seating

The profile and weight distribution of Ribbon XL allows them to be safely used as freestanding units, so they can be readily moved around the site when required (recommended for secure sites only).



Case studies.

Some of our recent projects where you can see Ribbon in its full glory



HereEast, Queen Elizabeth Olympic Park

Why Furnitubes.

- **Made in the UK**
our factory is based in Kent, so expect faster leadtimes and no supply chain delays
- **Easy to maintain + low labour costs**
we make sure that fixing points are easily accessible so slats and brackets can be changed easily when damaged
- **Modular solutions**
our ranges are modular and customisable, seating and planters can be easily combined, be creative without blowing the budget
- **Our approach**
we take a considered approach to design, it's not just about the end product. We take everything in the process into consideration, we are collaborative and we are committed to producing products that improve our environment & keep people safe.



Our Process.

- **Get in touch** – it's as simple as that, give us a call or drop us an email, we're happy to help whatever the medium!
- **Collaborate** – Depending on your needs, you might not actually need us at this stage, that's the beauty of our modular ranges – they're designed with you in mind, so you can specify with ease. Nevertheless, we are here for you if you do – our design team are always on hand to discuss the nitty gritty of your project.
- **Specification** – This is where our team of experts take the wheel and help you with sketches, CADs and more to help you specify our products as easily as possible.
- **Production + delivery** – all of our products are designed and manufactured in the UK allowing us to give you shorter lead times. With a dedicated project manager keeping you in the loop, you can trust everything is in hand.





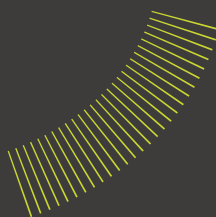
Furnitubes



Furnitubes



Furnitubes International UK



furnitubes
shaping outdoor spaces

T: +44 (0)20 8378 3200
E: sales@furnitubes.com
www.furnitubes.com