

# *RailRoad* Inline seating & benches.



**furnitubes**  
shaping outdoor spaces



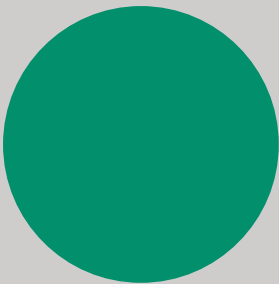




# RailRoad Ranges.



**RailRoad**  
Integrated seating  
and planters

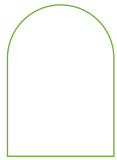


**RailRoad**  
**Inline seating  
and benches**



**RailRoad**  
Tables

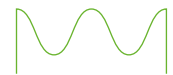
# RailRoad Inline Seating & benches ●



**Inline is designed as a cost effective alternative to the original RailRoad products for independent and continuous run straight line seating.**

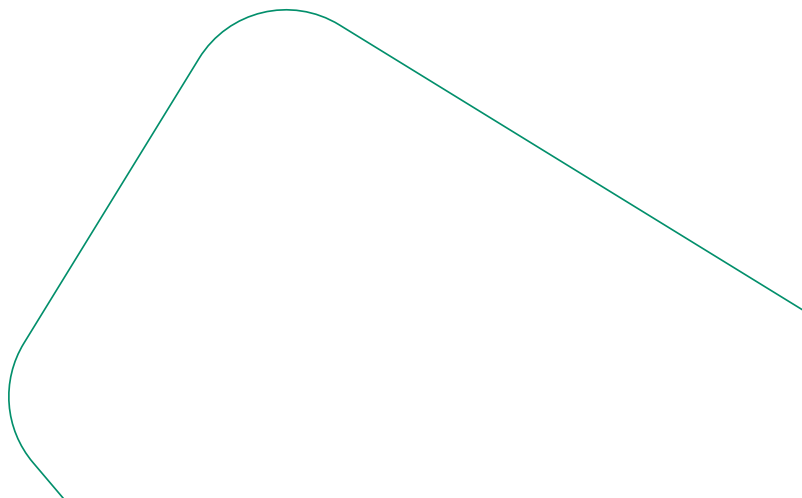
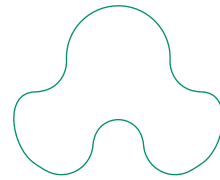
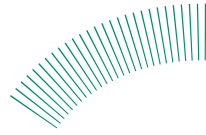
Seating platform and backrest slats are re-orientated (relative to the original RailRoad design) to run in line with the seat length, meaning less machining, eradicating the need for a full length steel support chassis, and with supports at a wider span.

Platforms are supplied as starter, mid and end modules or independently to allow long lines continuous seating, with backrests, armrests and tablet surfaces all available as optional extras.



# Why RailRoad Inline?

- High quality modern design and finish
- Standardised modules, bespoke configurations
- Choice of 3 timber profile & seat support styles
- Timber UV protective finish available
- Triple process coated PPC finish steelwork to any RAL colour
- Extended depth supports for in-ground installation (aside from Delta)
- Backrests, armrests, tablets and chaise-longues as add-ons



# How does it work?

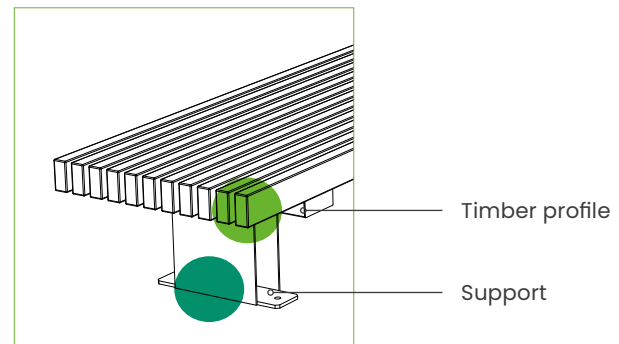
RailRoad inline is based on a series of start and add-on mid and end modules, which are designed to be joined to create linear runs of continuous seating.

The design uses a standard module that comfortably accommodates 3 people, with the start and end units also

including small extension sections at one end. Double-ended units - offering independent seating solutions - are available in two standard lengths. We also offer three styles of seat supports - each with a corresponding end profile for the timber slats.

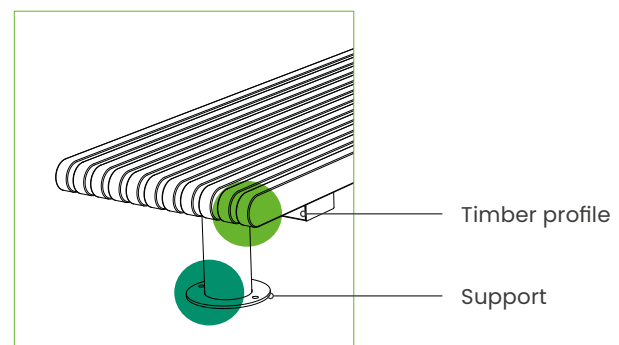
## Edge

Square-form timbers define the sharp visual characteristics of the EDGE family, making this range a popular choice on new developments. The support posts are in a complementary open-ended box fabricated in plate steel that gives a heavy duty, robust aesthetic.



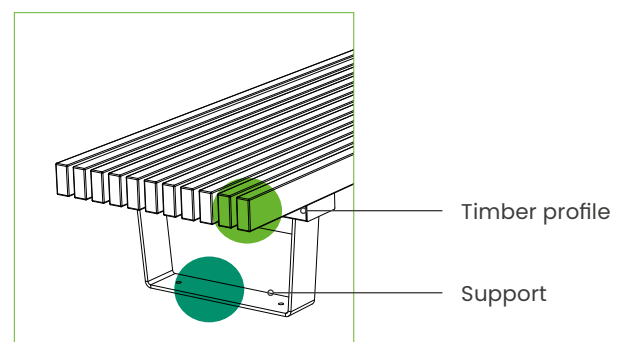
## Loop

The distinctive rounded end profile of the bench slat is reminiscent of a lollipop stick, hence the abbreviated LOOP name given to this family. The central circular post supports are visually less obtrusive and softer than both the Edge and Delta options.



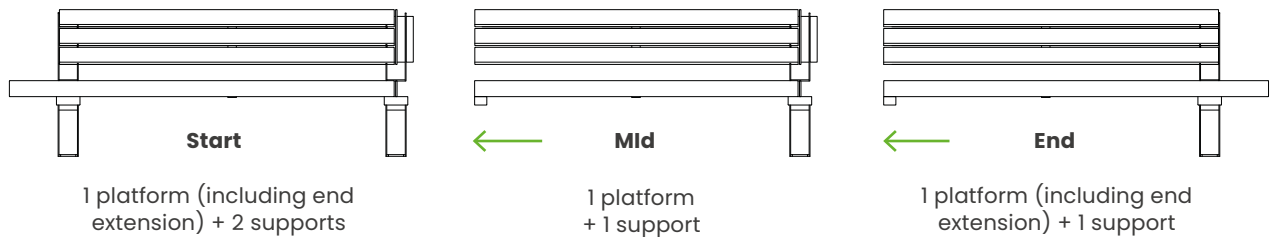
## Delta

Although made of heavy duty steel bar, the open frame support of the DELTA is visually less heavy than the other options. The vertical faces are tapered back towards the ground to give the distinctive delta form in side profile. Timber slats are square-ended as used for the Edge option.



# Seating.

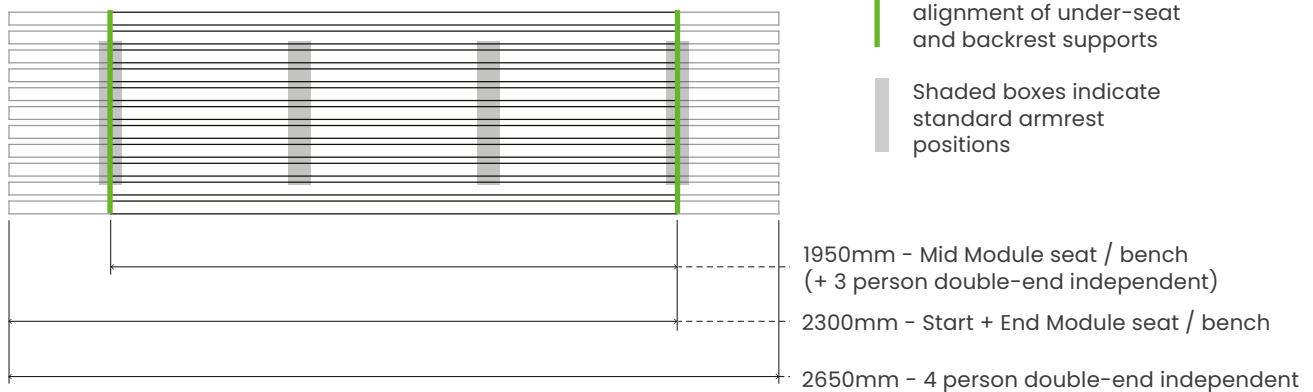
## 3-Person modules



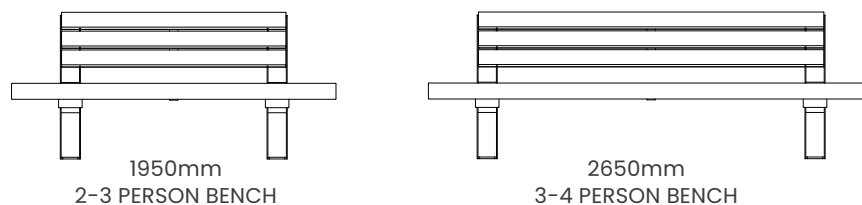
## Standard lengths

**Key:**  
(both diagrams)

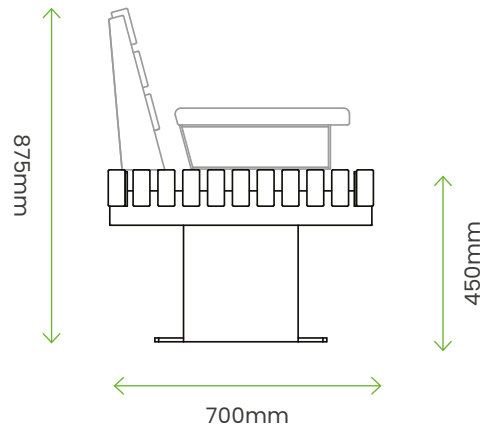
- Green lines indicate alignment of under-seat and backrest supports
- Shaded boxes indicate standard armrest positions



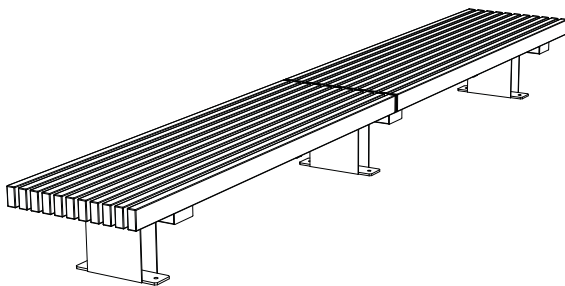
## Independent seats / benches:



# Inline Edge Benches & seats.



## Straight benches (no backrests)



Model illustrated:  
RRLBES7-S + RRLBES7-E (4600mm long)

### 3-PERSON MODULES

**START MODULES,  
2300MM LONG**

RRLBES7-S-TP

**MID MODULES,  
1950MM LONG**

RRLBES7-M-TP

**END MODULES,  
2300MM LONG**

RRLBES7-E-TP

### INDEPENDENT BENCHES

**1950MM LONG**

RRLBES7-1950-TP

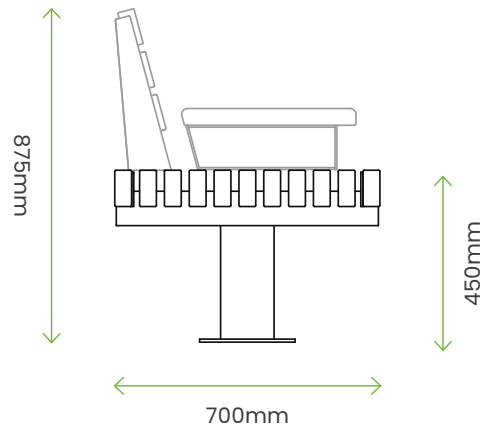
**2650MM LONG**

RRLBES7-2650-TP

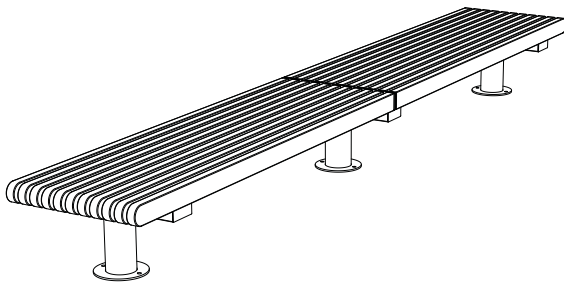




# Inline Loop Benches & seats.



## Straight benches (no backrests)



Model illustrated:  
RRLBLR7-S + RRLBLR7-E (4600mm long)

### 3-PERSON MODULES

**START MODULES,  
2300MM LONG**

RRLBLR7-S-TP

**MID MODULES,  
1950MM LONG**

RRLBLR7-M-TP

**END MODULES,  
2300MM LONG**

RRLBLR7-E-TP

### INDEPENDENT BENCHES

**1950MM LONG**

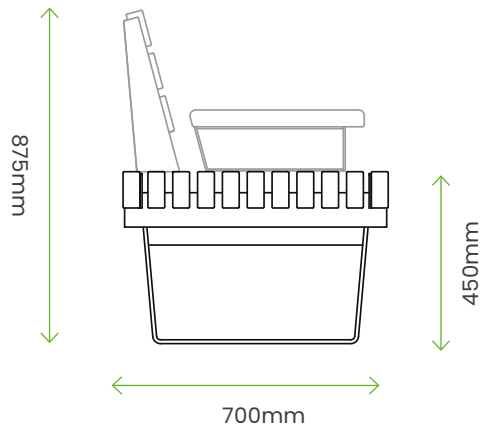
RRLBLR7-1950-TP

**2650MM LONG**

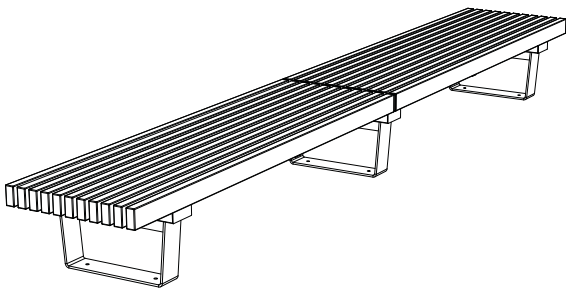
RRLBLR7-2650-TP



# Inline Delta Benches & seats.



## Straight benches (no backrests)



Model illustrated:  
RRLBDS7-S + RRLBDS7-E (4600mm long)

### 3-PERSON MODULES

**START MODULES,  
2300MM LONG**

RRLBDS7-S-TP

**MID MODULES,  
1950MM LONG**

RRLBDS7-M-TP

**END MODULES,  
2300MM LONG**

RRLBDS7-E-TP

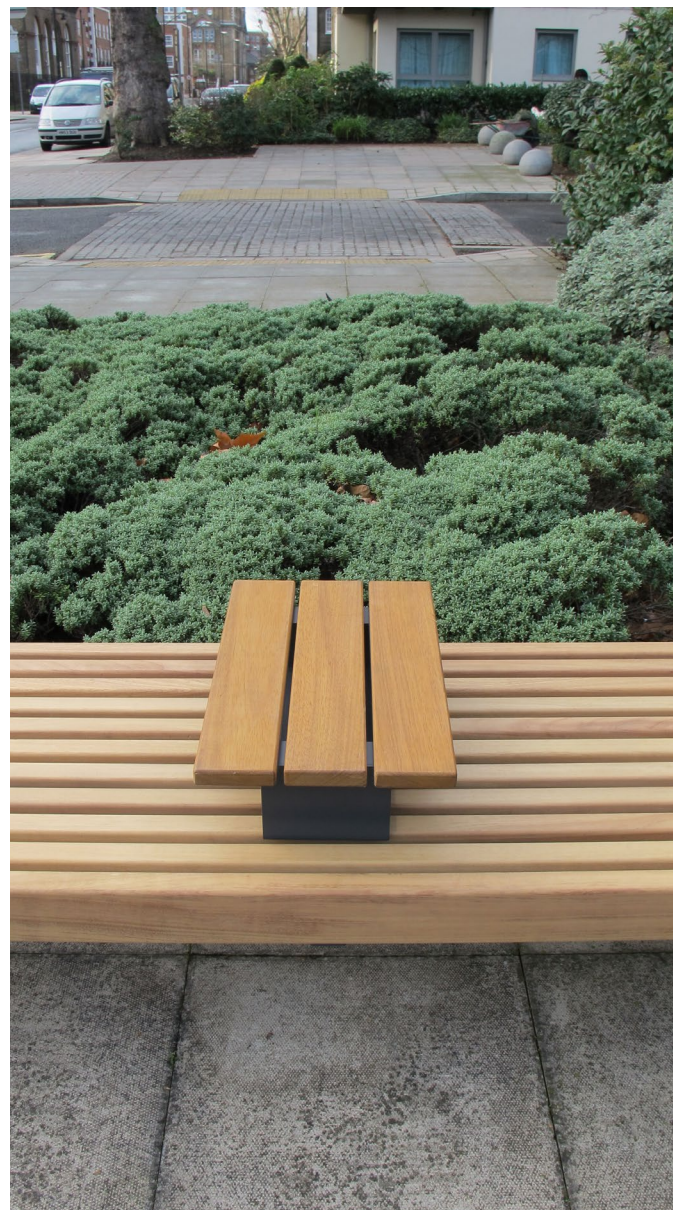
### INDEPENDENT BENCHES

**1950MM LONG**

RRLBDS7-1950-TP

**2650MM LONG**

RRLBDS7-2650-TP



# Add-ons.

## Backrests

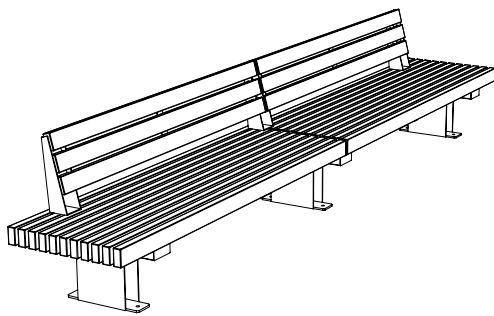
All standard bench modules are designed to accommodate backrests, meaning they can be fitted at the outset or retro-fitted after installation if the need for a backrest is determined later.

Backrests align with the bench supports, and are therefore inset from the ends of bench platforms. On long seat assemblies, backrests can be continuous or with gaps, and even staggered to both sides to provide dual aspect seating.



# Backrests.

## Backrests



Model illustrated:  
RRLBACK-S + RRLBACK-E (on Edge bench)

**BACKREST FOR START  
MODULE BENCH PLATFORM**

RRLBACK-S-TP

**BACKREST FOR MID  
MODULE BENCH PLATFORM**

RRLBACK-M-TP

**BACKREST FOR END  
MODULE BENCH PLATFORM**

RRLBACK-E-TP

**BACKREST FOR  
INDEPENDENT 1950MM  
LONG BENCH PLATFORM**

RRLBACK-1950-TP

**BACKREST FOR  
INDEPENDENT 1950MM  
LONG BENCH PLATFORMS**

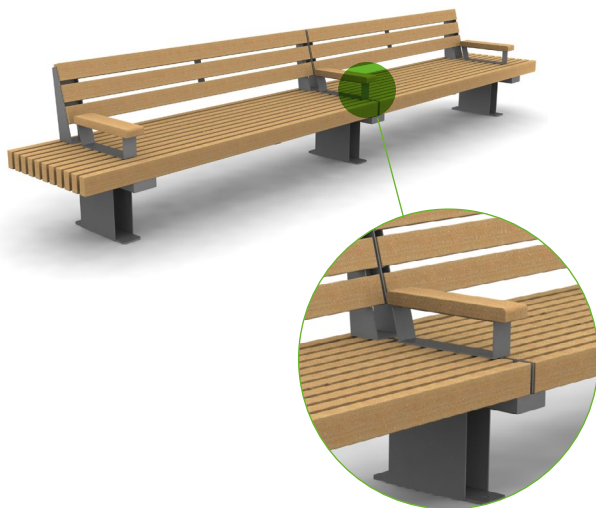
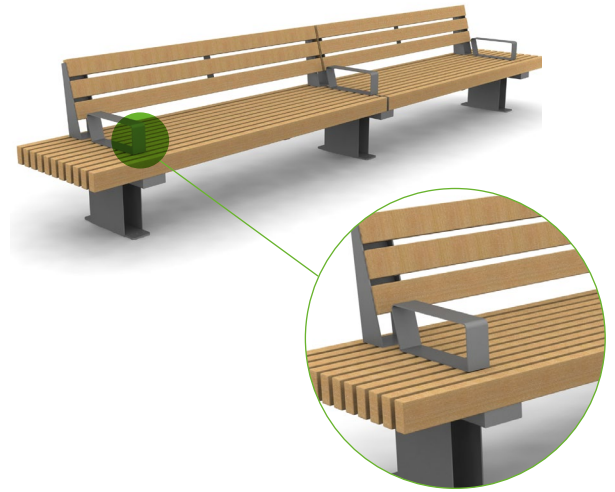
RRLBACK-2650-TP



# Armrests.

## Standard armrests

Constructed from robust 80mm wide steel plate, standard armrests can be fitted anywhere on a bench or seat, although aligning them with bench platform supports and at midpoints between will ensure comfortable spacing. There is one style specifically designed for use with benches and another for seats with backrests. Armrests can also be easily retro-fitted.

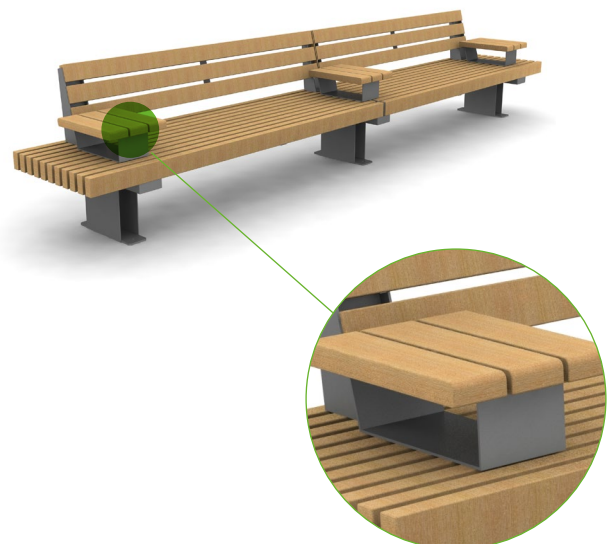


## Timber-topped armrests

The addition of a timber slat to a steel armrest aids its use, improves comfort and looks good. The timber rail extends beyond the front of the steel armrest support, thereby providing a good grip area for less able-bodied people in particular to assist when lowering themselves onto or lifting off from the seats. A timber armrest is also warmer to the touch. At 110mm wide, the flat timber is suitable for placing small items such as a coffee cup onto.

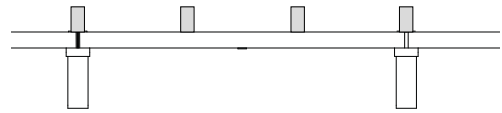
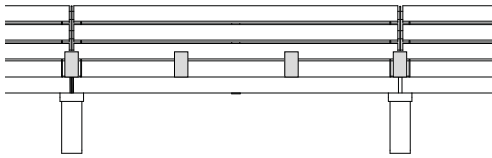
## Tablet surfaces

It is increasingly common for people to carry a small laptop or tablet device, and to use them in the outdoor environment. At 350mm wide, the tablet (a small side table) is a useful addition to a bench, suitable for placing not only computer devices onto, but also food and drink, a book or newspaper. When using a tablet it is not advisable to use armrests in standard positions as the gaps between would be too narrow for comfortable seating.



# Armrests.

## Armrest, all-steel



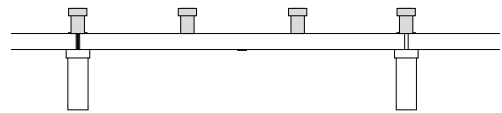
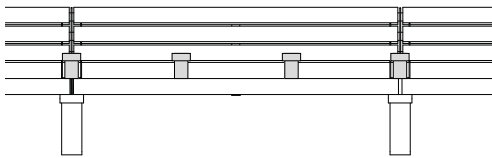
**ARMREST FOR BENCH**

RRLA-B-TP

**ARMREST FOR SEAT**

RRLA-S-TP

## Timber-topped armrest



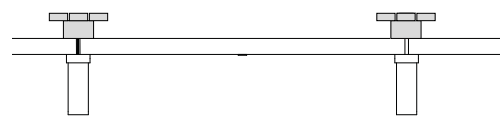
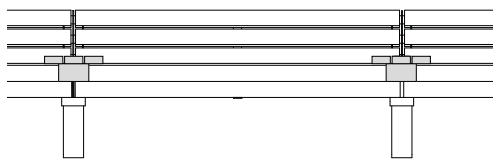
**ARMREST FOR BENCH**

RRLAT-B-TP

**ARMREST FOR SEAT**

RRLAT-S-TP

## Tablet, steel + timber surface



**TABLET FOR BENCH**

RRLTT-B-TP

**TABLET FOR SEAT**

RRLTT-S-TP

# Why Furnitubes.

- **Made in the UK**  
our factory is based in Kent, so expect faster leadtimes and no supply chain delays
- **Easy to maintain + low labour costs**  
we make sure that fixing points are easily accessible so slats and brackets can be changed easily when damaged
- **Modular solutions**  
our ranges are modular and customisable, seating and planters can be easily combined, be creative without blowing the budget
- **Our approach**  
we take a considered approach to design, it's not just about the end product. We take everything in the process into consideration, we are collaborative and we are committed to producing products that improve our environment & keep people safe.

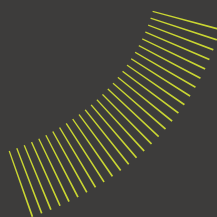


## Our Process.

- **Get in touch** – it's as simple as that, give us a call or drop us an email, we're happy to help whatever the medium!
- **Collaborate** – Depending on your needs, you might not actually need us at this stage, that's the beauty of our modular ranges – they're designed with you in mind, so you can specify with ease. Nevertheless, we are here for you if you do – our design team are always on hand to discuss the nitty gritty of your project.
- **Specification** – This is where our team of experts take the wheel and help you with sketches, CADs and more to help you specify our products as easily as possible.
- **Production + delivery** – all of our products are designed and manufactured in the UK allowing us to give you shorter lead times. With a dedicated project manager keeping you in the loop, you can trust everything is in hand.







**furnitubes**  
shaping outdoor spaces

T: +44 (0)20 8378 3200  
sales@furnitubes.com www.furnitubes.com