

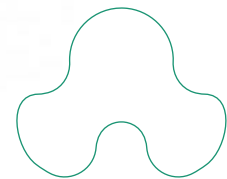
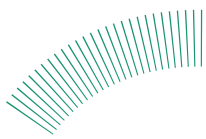
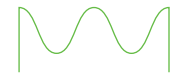
Heritage Seating Range.





Heritage Seating Range.

Traditional Cast Iron
& Timber Seating



Traditional materials and craftsmanship.

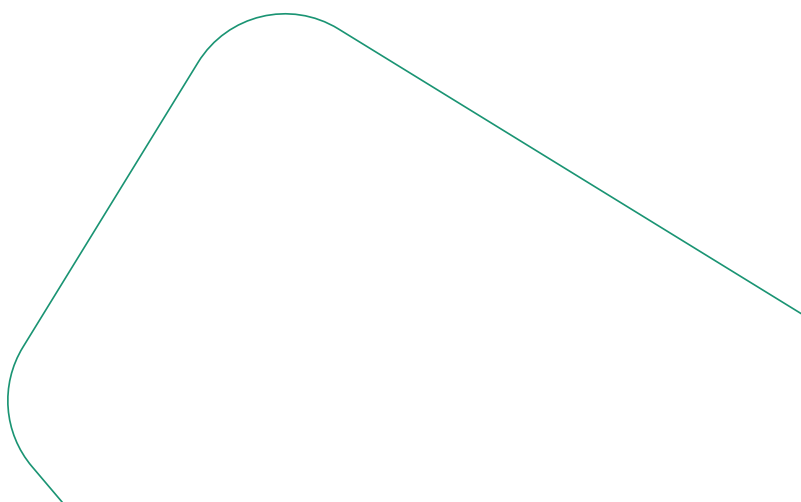
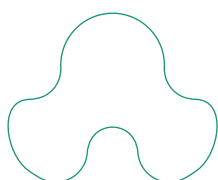
Cast iron and timber have been combined for outdoor public seating for many years and the traditional designs from our range fit perfectly in heritage town centres and parks. Our seats and benches are comfortable, decorative and robust, with a familiar charm and character. The basic process of casting iron – pouring molten metal into sand moulds – has remained fundamentally unchanged for hundreds of years.

After cooling and removal from the mould, the material surface of the cast iron reveals a characteristic fine

texture derived from the sand, giving a more rustic appearance compared for example with products made from rolled steel or die-cast aluminium. As each sand mould is used just once, each cast product has its own unique charm.

Well maintained cast iron products have a high corrosion resistance and longevity, as demonstrated by early 18th century cast iron street furniture that can still be seen in towns and cities throughout Europe.

The aesthetic quality of cast iron seat 'standards' is complemented by the use of timber slats for seat and / or back platforms. Iroko - a tropical hardwood - is our preferred material as it provides excellent long term durability, and weathers over time to an attractive silvery grey hue, or if preferred a UV protective finish can be pre-applied to help prevent the wood from fading. Furnitubes offers 4 ranges of cast iron seating styles, most of which have several configuration options. We are able to recreate other traditional styles of seats as specials, and can also design new seats in traditional styles.



Eastgate Seat Range.

The Eastgate is our most popular Victorian-style cast iron and timber seating design, having been widely used in conservation areas for many years. The range comprises a single person chair seat and a longer 3 person seat, both with armrests integral to the cast iron end supports. Slats are iroko as standard, in a natural or UV protective finish, with alternatives of environmentally-friendly wood plastic composite slats.

- Cast iron standards - painted finish, to any BS / RAL colour reference
- Iroko timber slats - smooth planed finish

Options

- Timbers with UV protective finish
- Wood plastic composite (WPC) slats
- Engraved bronze plaque

Installation

Each foot is pre-drilled for an M10 ground fixing (not supplied)

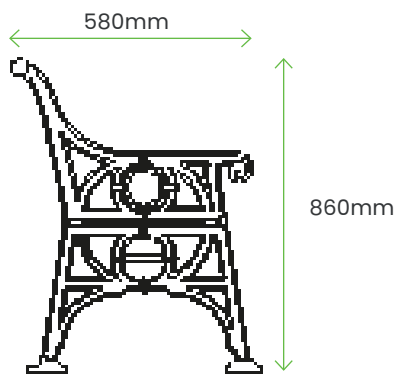
Product codes

1 PERSON SEAT, 610 MM LONG

EA2

3 PERSON SEAT, 1860 MM LONG

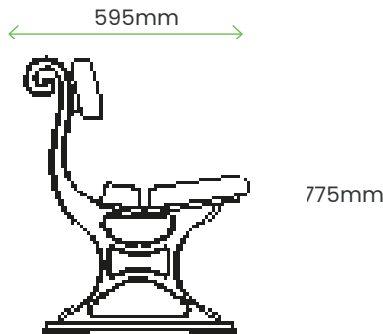
EA6



Harrogate Seat Range.

The Harrogate seat is a traditionally-styled and longstanding favourite from Furnitubes' seating range. The cast iron seat standards and heavy duty iroko timber slats combine to make an extremely robust seat which is used most commonly in parks and on waterfront sites.

An engraved bronze plaque can be fitted to the top backrest slat for seats provided for presentation, commemoration or memorial purposes.



- Cast iron standards - painted finish to any BS / RAL colour reference
- Iroko timber slats - smooth planed finish

Options

- Iroko timber slats - UV protective finish
- Engraved bronze plaque

Installation

Each seat standard is pre-drilled with 3no. holes for M10 ground fixings (not supplied)

Product codes

3 PERSON SEAT, 1800 MM LONG

HG 6



New Forest Seat Range.

The New Forest seats are characterised by their understated design, using the traditional seating materials of cast iron and timber, but in a much lighter visual form than for other more decorative products.

Nevertheless, the product remains very strong due to the combination of the I-section of the cast standards and the robust and well-supported timber slats. The range is equally suitable for both historical and more modern settings.

- Cast iron standards - painted finish, to any BS / RAL colour reference
- Iroko slats - smooth planed finish
- Steel support strap

Options

- Timbers with UV protective finish
- Engraved bronze plaque

Installation

Each seat standard is pre-drilled for an M12 or M16 ground fixing (not supplied)

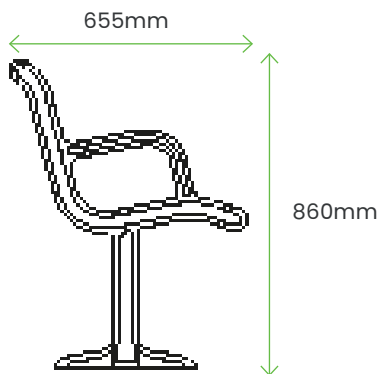
Product codes

3 PERSON SEAT, 1840 MM LONG

NE6

**4 PERSON SEAT, 2400 MM LONG
WITH CENTRAL SUPPORT AND ARM**

NE8C



Newstead Seat Range.

The rudimentary design and construction of the Newstead provides a strong, hardwearing and economic seating solution, ideal for placement on the street, in parks and open spaces, and school grounds. The seat supports are square hollow section steel tube, hot dipped galvanised as standard, with the option of supplementary polyester powder coating if a coloured finish is required. Newstead slats are in iroko hardwood, fixed to the steel supports either with visible coach bolts or discrete rear fixings. To maintain a longer lasting rich colouration to the timber a UV protective finish can be factory-applied prior to delivery to site. The Ashburton seat simply replaces the hardwood slats with recycled plastic slats, in a choice of brown or black.

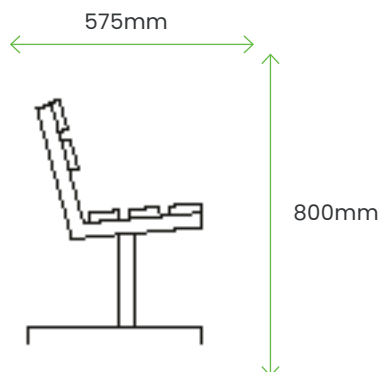
- Hot dip galvanised steel standards
- Iroko timber slats, smooth planed

Options

- Discrete timber fixings
- Timbers with UV protective finish
- Armrests, all-steel
- Seat supports in PPC to any RAL
- Extended post supports for in-ground installation

Installation

Each seat standard is pre-drilled with 2no. holes for bolting the seat down to a foundation block with suitable M10 ground anchors (not supplied).



Product codes

3 PERSON SEAT, 1800 MM LONG

NS6



Why Furnitubes.

- **Made in the UK**
our factory is based in Kent, so expect faster leadtimes and no supply chain delays
- **Easy to maintain + low labour costs**
we make sure that fixing points are easily accessible so slats and brackets can be changed easily when damaged
- **Modular solutions**
our ranges are modular and customisable, seating and planters can be easily combined, be creative without blowing the budget
- **Our approach**
we take a considered approach to design, it's not just about the end product. We take everything in the process into consideration, we are collaborative and we are committed to producing products that improve our environment & keep people safe.



Our Process.

- **Get in touch** – it's as simple as that, give us a call or drop us an email, we're happy to help whatever the medium!
- **Collaborate** – Depending on your needs, you might not actually need us at this stage, that's the beauty of our modular ranges – they're designed with you in mind, so you can specify with ease. Nevertheless, we are here for you if you do – our design team are always on hand to discuss the nitty gritty of your project.
- **Specification** – This is where our team of experts take the wheel and help you with sketches, CADs and more to help you specify our products as easily as possible.
- **Production + delivery** – all of our products are designed and manufactured in the UK allowing us to give you shorter lead times. With a dedicated project manager keeping you in the loop, you can trust everything is in hand.





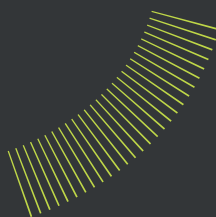
Furnitubes



Furnitubes



Furnitubes International UK



furnitubes
shaping outdoor spaces

T: +44 (0)20 8378 3200
E: sales@furnitubes.com
www.furnitubes.com