

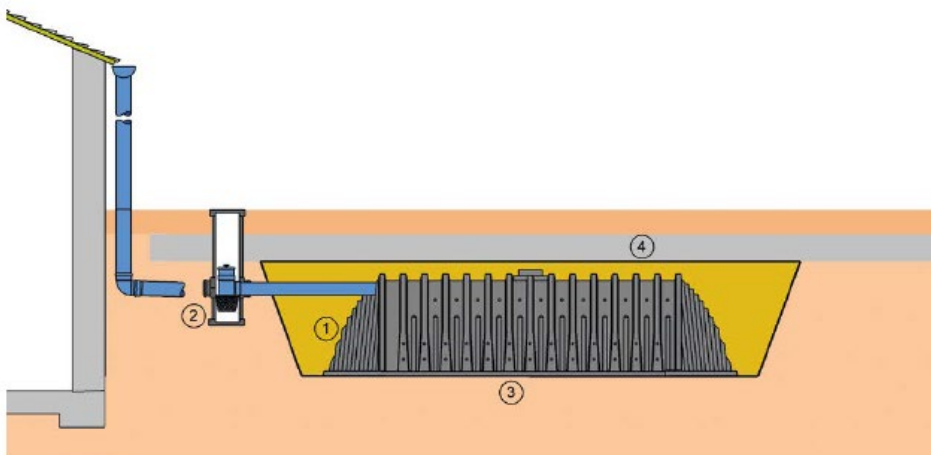
## MATERIAL CHARACTERISTICS

### Tunnel infiltration trench 1600

- o Material: 100 % recycled PE-HD
- o Capacity: 1,6 m<sup>3</sup>
- o Weight: 32 kg
- o Vent connection: DN 100 mm
- o Loading class: SLW 60 with DIBt accreditation

### Start- and end cap

- o Material: 100 % recycled PE-HD
- o Capacity: 0,1 m<sup>3</sup>
- o Weight: 5,5 kg
- o Connection options: DN 100 mm to 300 mm
- o Loading class: SLW 60 with DIBt accreditation



- 1 MEASTORM Tunnel
- 2 Settling filter shaft
- 3 Geotextile 190 g/m<sup>2</sup>
- 4 Geotextile 300 g/m<sup>2</sup>

# MEASTORM 1600

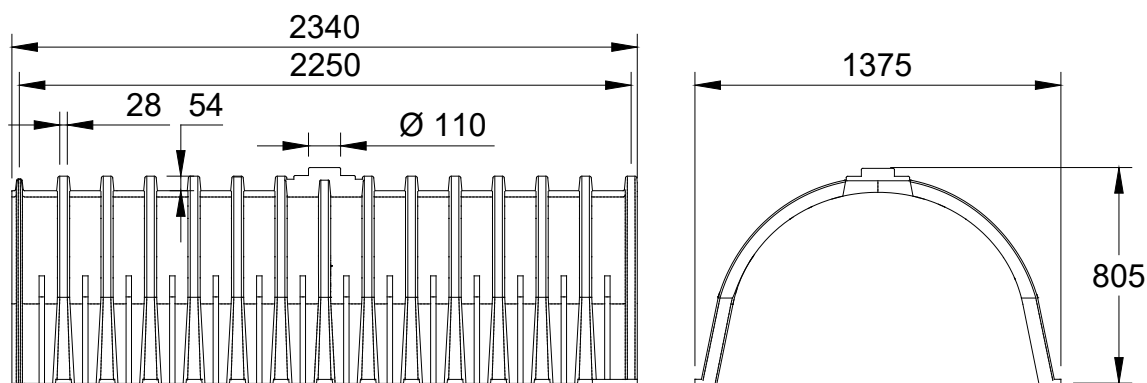
Loading class SLW 60 with DIBt accreditation



BUILDING SUCCESS

## MEASTORM TUNNEL INFILTRATION TRENCH

The MEASTORM tunnel infiltration trench system is suitable for new construction or for retrofitting in existing buildings. The system can be installed in a very short time. The systems can be expanded to almost any size by adding further tunnels or several rows.



010756131

### MEASTORM 1600 TUNNEL INFILTRATION TRENCH, LOADING CLASS SLW 60 WITH DIBT APPROVAL

Designation	Ord. No.	Length [mm]	Width [mm]	Height [mm]	kg/unit
MEASTORM Tunnel infiltration trench 1600 with DIBt approval *)	010756131	2340	1375	805	32,00

\*) Delivery time on demand

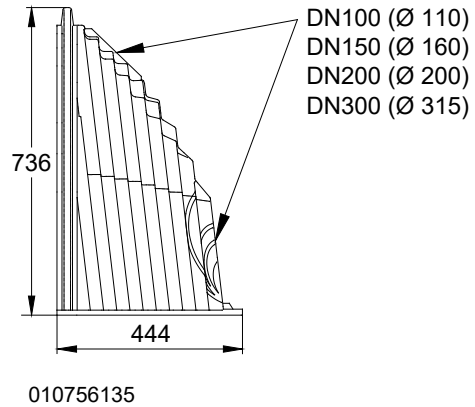
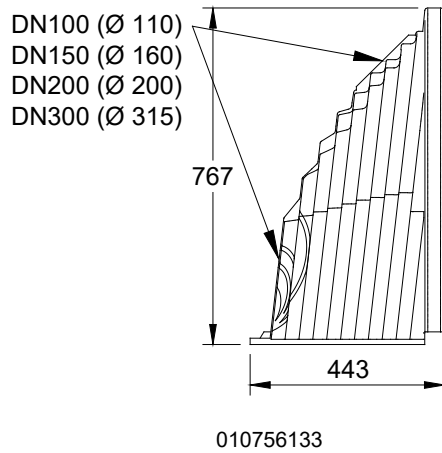
# MEASTORM 1600

Loading class SLW 60 with DIBt accreditation



BUILDING SUCCESS

## MEASTORM ACCESSORIES



## MEASTORM 1600 END CAPS

Designation	Ord. No.	Length [mm]	Width [mm]	Height [mm]	kg/unit
Start cap for MEASTORM Tunnel infiltration trench 1600, SLW 60 with DIBt approval *)	010756133	443	1375	767	5,50
End cap for MEASTORM Tunnel infiltration trench 1600, SLW 60 with DIBt approval *)	010756135	444	1375	736	5,60

## Geotextile for MEASTORM TUNNEL INFILTRATION TRENCH

Designation	Ord. No.	Material	g/m <sup>2</sup>
Geotextile 300 g/m <sup>2</sup> for MEASTORM Tunnel infiltration trench 1600, width 2,5 m, white *)	010756137	Plastic	300
Geotextile 190 g/m <sup>2</sup> for MEASTORM Tunnel infiltration trench 1600, width 2,6 m, black *)	010756139	PP	190

\*) Delivery time on demand

This edition of the technical data sheet shall be valid from January 2023 until a revised version is published and replaces any previous publications. The respectively current version is available for download at [www.mea-group.com](http://www.mea-group.com).

MEA Bautechnik GmbH  
 Business unit Water Management  
 Sudetenstraße 1  
 86551 Aichach  
 Tel.: +49 (0) 82 51. 91 0  
 Fax: +49 (0) 82 51. 91 13 06  
 E-Mail: [info.drainage@mea-group.com](mailto:info.drainage@mea-group.com)  
[www.mea-group.com](http://www.mea-group.com)