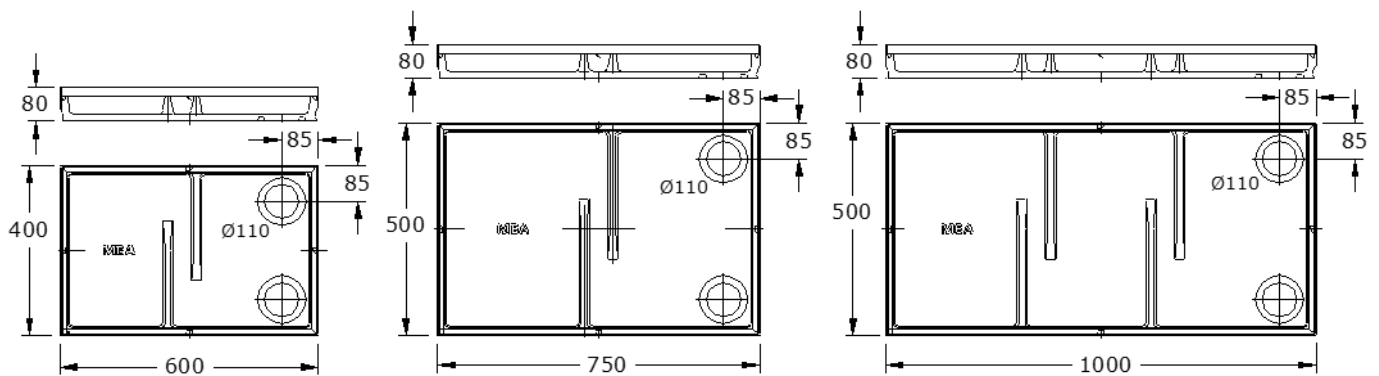


MATERIAL PROPERTIES

TRAY UNIT	
POLYMER CONCRETE	based on polyester resin, with natural minerals
COMPRESSION RESISTANCE	≥ 90 N/mm ²
FEXURAL TENSILESTRENGTH	≥ 22 N/mm ²
MODULES OF ELASTICITY	25.000 – 35.000 N/mm ²
DENSITY	2,1 – 2,3 kg/dm ³
LINEAR EXPANSION COEFFICIENT	Ca. 1,45 x 10 ⁻⁵ 1/K
HEAT RESISTANCE	100°C permanent exposure, short-term exposure (5 min.) to 200 C
FROSTRESISTANCE	- 50°C
WATER PENETRATION LEVEL	0 mm
WATER ABSORPTION	< 0,05% DIN 52 103 (A)
MATERIAL STRUCTURE	capillary free
EDGE PROTECTION	Galvanized steel
CHANNEL COVER	Ductile iron GGG

MEAGARD POLYMER CONCRETE DOORMAT TRAYS



MEAGARD POLYMER CONCRETE DOORMAT TRAYS

Doormat trays made of polymer concrete with integrated galvanized steel frame, support ribs and preformed knockout for vertical outlet Ø 110mm. With various covers. Two connection facilities at the bottom for vertical outlets Ø 110mm.

DOORMAT TRAYS MADE OF POLYMER CONCRETE

Designation	Ord. No.	Width [mm]	Length [mm]	kg/unit
MEAGARD doormat tray 600 x 400 without cover	010190100	400	600	13,00
MEAGARD doormat tray 750 * 500 without cover	010190200	500	750	20,44
MEAGARD doormat tray 1000 * 500 without cover	010190300	500	1000	25,90

MEAGARD DOORMAT TRAYS ACCESSORIES

COVERS FOR DOORMAT TRAYS MADE OF POLYMER CONCRETE

Designation	Ord. No.	Width [mm]	Length [mm]	kg/unit
MEAGARD FuKa Expanded metal 600 x 400 ¹⁹⁾	010190310	400	600	3,03
MEAGARD FuKa Expanded metal 750 x 500 ¹⁹⁾	010190320	500	750	5,06
MEAGARD FuKa Expanded metal 1000 x 500 ¹⁹⁾	010190330	500	1000	6,53
MEAGARD FuKa Mesh grating 30/10 600 x 400 ¹⁹⁾	010190340	400	600	4,38
MEAGARD FuKa Mesh grating 30/10 750 x 500 ¹⁹⁾	010190350	500	750	7,45
MEAGARD FuKa Mesh grating 30/10 1000 x 500 ¹⁹⁾	010190360	500	1000	8,62
MEAGARD FuKa Light grey ribbed mat 600 x 400 ¹⁹⁾	010190431	400	600	2,24
MEAGARD FuKa Light grey ribbed mat 750 x 500 ¹⁹⁾	010190433	500	750	5,16
MEAGARD FuKa Light grey ribbed mat 1000 x 500 ¹⁹⁾	010190435	500	1000	4,55
MEAGARD FuKa Black rubber profile mat 600 x 400 ^{19) 23)}	010190421	400	600	3,02
MEAGARD FuKa Black rubber profile mat 750 x 500 ^{19) 23)}	010190423	500	750	5,37
MEAGARD FuKa Black rubber profile mat 1000 x 500 ^{19) 23)}	010190425	500	1000	6,54

19) Effective outer dimension of the extension = nominal dimension – 8 mm

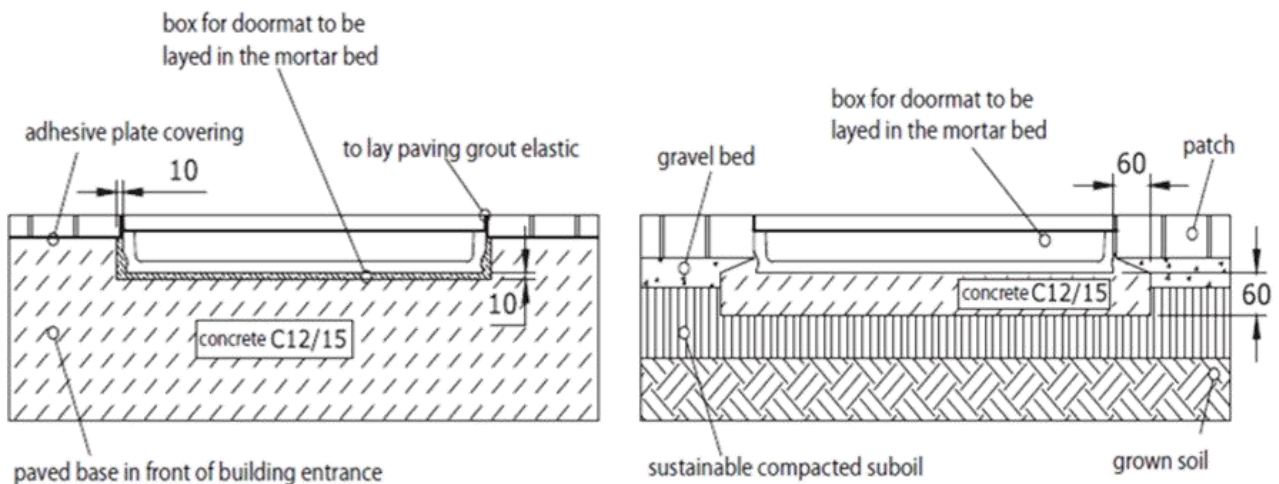
23) Please be aware that the honeycombed rubber mat can lead to staining since it is a natural product. For light coloured ground surface within the building we recommend using the velour coco mats.

MEAGARD DOORMAT TRAYS ACCESSORIES

OUTLET SET

Designation	Ord. No.	Material	kg/unit
MEADRAIN/MEAGARD/MEALINE drainage set with Ø 110 mm connector, sediment bucket and odour seal	010150730	PP	0,20

MEAGARD DOORMAT TRAYS INSTALLATION SITUATION



This edition of the technical data sheet is valid from November 2021 until the publication of a revised version and replaces earlier publications. The current version is available for download at www.mea-group.com.

MEA Bautechnik GmbH
 Business Unit MEA Water Management
 Sudetenstraße 1
 86551 Aichach
 Tel.: +49 (0) 82 51. 91 0
 Fax: +49 (0) 82 51. 91 13 06
 E-Mail: info@mea-group.com
www.mea-group.com