

MATERIAL CHARACTERISTICS

POLYMER CONCRETE	on a Polyester resin basis, with mineral fillers, additives
COMPRESSIVE STRENGTH	≥ 90 N/mm ²
BENDING STRENGTH	≥ 22 N/mm ²
ELASTICITY MODULE	25.000 – 35.000 N/mm ²
DENSITY	2,1 – 2,3 kg/dm ³
COEFFICIENT OF LINEAR EXPANSION	Ca. 1,45 x 10 ⁻⁵ 1/K
HEAT RESISTANCE	100°C continuous load, up to 200°C with a load duration up to 5 min.
FROST RESISTANCE	- 50°C
WATER PENETRATION LEVEL	0 mm
WATER ABSORPTION	< 0,05% DIN 52 103 (A)
MATERIAL STRUCTURE	Capillary free

PURPOSE OF USE

Component for the point drainage of surfaces in order to collect, transport and discharge rainwater from adjacent fixed surfaces.

DESIGNS

- / With ductile iron grating (B 125)
- / With galvanized mesh grating 20/30 (B 125)
- / With galvanized mesh grating 30/30 (A 15)

ACCESSORIES

- / compensation element
- / height adjustment element
with moulded inserts Ø 110 mm
- / sediment bucket made of plastic
- / odour trap

EDGE PROTECTION

- / Ductile iron
- / Covering galvanized grating

DRAIN PERFORMANCE (TEST: TU-MUNICH)

- / Upper connection with bucket and roadable foul air trap: 4,5 l/s
- / Upper connection with bucket, without roadable foul air trap: 6,0 l/s
- / Upper connection without bucket and roadable foul air trap: 7,7 l/s
- / Bottom connection with bucket, without roadable foul air trap: 6,0 l/s
- / Bottom connection without bucket and roadable foul air trap: 14,5 l/s

MEAGARD Courtyard Gully

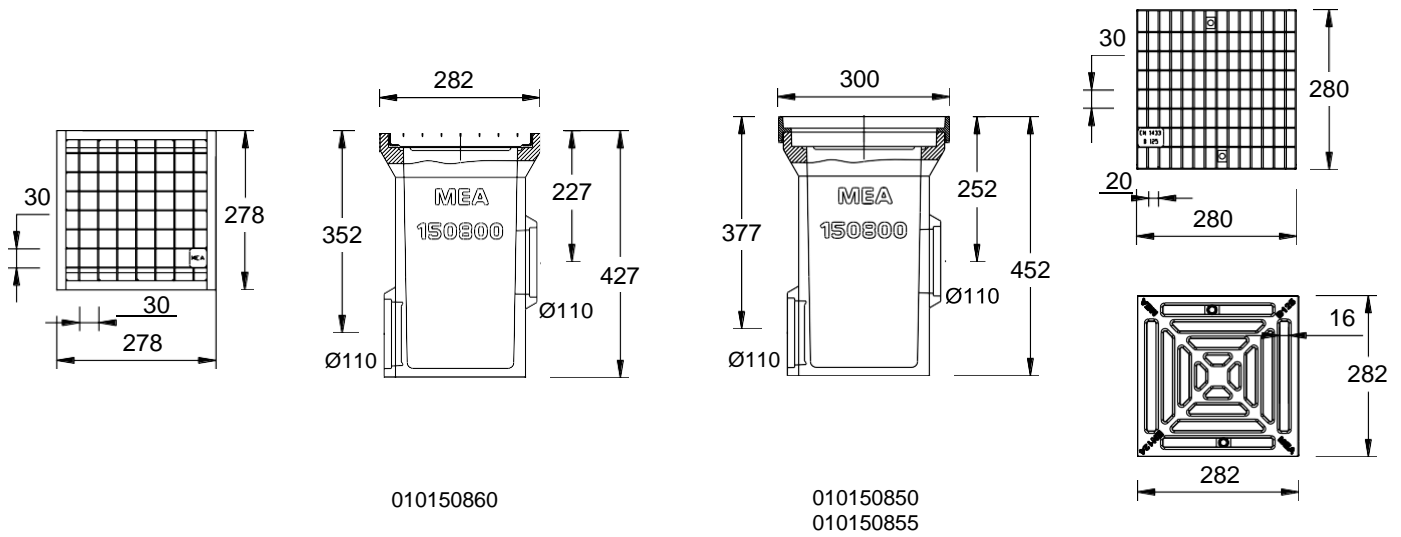
A 15, B 125



BUILDING SUCCESS

MEAGARD POLYMER CONCRETE COURTYARD GULLY

Courtyard gully made of polymer concrete with sediment bucket, odour trap and connector Ø 110 mm. Optionally with ductile iron grating (B 125), galvanized mesh grating 20/30 (B 125) and overlaying galvanized mesh grating 30/20 (passable passenger cars). Loading classes, A 15 to B 125 (gratings according to EN 124), including ductile iron stacking frame.



COURTYARD COMPLETE GULLY WITH DUCTILE IRON GRATING GGG, LOADING CLASS B 125 ACCORDING TO EN 124

Designation	Ord. No.	Length [mm]	Width [mm]	Height [mm]	kg/unit
MEAGARD complete yard gully with ductile iron grating-B 125****	010150850	300	300	452	30,09

COURTYARD COMPLETE GULLY WITH GALVANISED MESH GRATING, LOADING CLASS B 125 ACCORDING TO EN 124

Designation	Ord. No.	Length [mm]	Width [mm]	Height [mm]	kg/unit
MEAGARD complete yard gully with Galv. 30/20 mesh grating-B 125****	010150855	300	300	452	30,40

COURTYARD COMPLETE GULLY COMPLETE WITH COVERING GALVANISED MESH GRATING, PASSENGER VEHICLE ACCESSIBLE

Designation	Ord. No.	Length [mm]	Width [mm]	Height [mm]	kg/unit
MEAGARD complete yard gully with Galv. 30/20 mesh grating, passable passenger cars ²²⁾	010150860	282	282	427	22,65

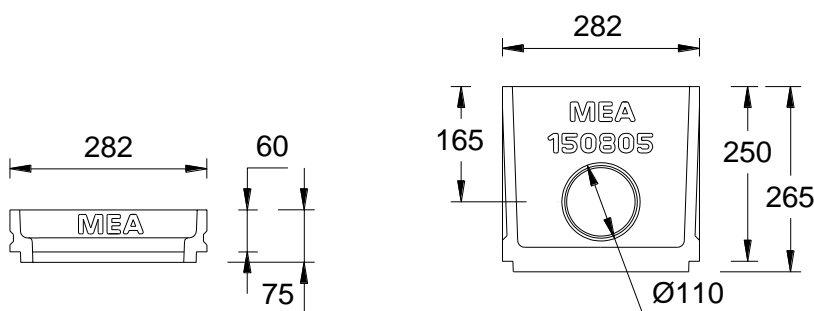
**** The surface coating of ductile iron parts only has a temporary and cosmetic function. Ductile iron is virtually impervious to surface oxidation from environmental influences (e.g. thawing salt). Superficial rust does not constitute a product defect. Of course, the resignation of surface coating is in accordance with all corresponding standards

22) Grating/grates loading class A 15 according to DIN EN 1433

MEAGARD COURTYARD GULLY ACCESSORIES

LOCKING BOLT FOR MEAGARD

Designation	Ord. No.	Material	kg/unit
MEAGARD Gully locking mechanism for ductile iron and mesh gratings, B 125, Stainl. steel 2 screws per grating. Grating fixing mechanism only in gully lower part possible!	010153196	Stainl. steel	0,02



010150810

010150805

MEAGARD COURTYARD GULLY COMPENSATION ELEMENT

Designation	Ord. No.	Length [mm]	Width [mm]	Height [mm]	kg/unit
MEAGARD yard gully compensation element for height adjustment, H= 60 mm, no grating bolt locking mechanism possible	010150810	282	282	60	3,20

MEAGARD COURTYARD GULLY EXTENSION ELEMENT

Designation	Ord. No.	Length [mm]	Width [mm]	Height [mm]	kg/unit
MEAGARD yard gully height adjustment element to increase construction height, H= 250 mm with moulded inserts Ø 110 mm on both sides for rainwater pipes, no grating bolt locking mechanism possible	010150805	282	282	250	11,37

MEAGARD COURTYARD GULLY UNDER PART

Designation	Ord. No.	Length [mm]	Width [mm]	Height [mm]	kg/unit
MEAGARD yard gully under part 282 x 282 x 425 mm with possible connection Ø 100 mm	010150800	282	282	425	17,42

MEAGARD COURTYARD GULLY SEDIMENT BUCKET

Designation	Ord. No.	Material	kg/unit
MEAGARD courtyard gully sediment bucket made of plastic	010710063	PE-HD	17,42

MEAGARD Courtyard Gully

A 15, B 125



BUILDING SUCCESS

MEAGARD COURTYARD GULLY ODOUR TRAP

Designation	Ord. No.	Material	kg/unit
MEAGARD yard gully GVS odour trap	010150815	Polymer concrete	3,04

MEAGARD COURTYARD GULLY DUCTILE IRON RAISING FRAME

Designation	Ord. No.	Length [mm]	Width [mm]	kg/unit
MEAGARD yard gully ductile iron stacking frame 300 x 300 mm	010150825	300	300	3,40

MEAGARD COURTYARD GULLY LIP SEAL RING

Designation	Ord. No.	Material	kg/unit
MEA NBR lip sealing ring Ø 110 mm made of highly resistant synthetic rubber for the liquid-tight connection of drainpipes	010153883	NBR	0,02

MEA COMPOSITE MORTAR FOR BONDING AND REPARATION PURPOSES

Designation	Ord. No.	Material	kg/unit
MEA ResiFix PY composite mortar (styrene-free) 165 ml cartridge + 2 mixing nozzles	0101504205	2-component polyester resin	0,35

MEAGARD COURTYARD GULLY COVER, LOADING CLASS B 125 ACCORDING TO EN 1433

Description	Ord No.	Length [mm]	kg/unit
MEAGARD yard gully ductile Iron cover-B 125	010150830	280	4,90
MEAGARD yard gully 20/30 mesh grating cover-B 125	010150835	280	3,88
MEAGARD yard gully 30/30 mesh grating cover-Passable passenger cars	010150840	282	1,23

This edition of the technical data sheet shall be valid from October 2021 until a revised version is published and replaces any previous publications. The respectively current version is available for download at www.mea-group.com.

MEA Bautechnik GmbH
 Business unit MEA Water Management
 Sudetenstraße 1
 86551 Aichach
 Tel.: +49 (0) 82 51. 91 0
 Fax: +49 (0) 82 51. 91 13 06
 E-Mail: info@mea-group.com
www.mea-group.com