

MATERIAL CHARACTERISTICS

POLYMER CONCRETE	on a Polyester resin basis, with mineral fillers, additives
COMPRESSIVE STRENGTH	≥ 90 N/mm ²
BENDING STRENGTH	≥ 22 N/mm ²
ELASTICITY MODULE	25,000 – 35,000 N/mm ²
DENSITY	2,1 – 2,3 kg/dm ³
COEFFICIENT OF LINEAR EXPANSION	Approx. 1.45 x 10 ⁻⁵ 1/K
HEAT RESISTANCE	100°C continuous load, up to 200°C with a load duration up to 5 min.
FROST RESISTANCE	- 50 °C
WATER PENETRATION LEVEL	0 mm
WATER ABSORPTION	< 0,05% DIN 52 103 (A)
MATERIAL STRUCTURE	Capillary free

PURPOSE OF USE

Component for the line drainage of surfaces in order to collect, transport and discharge rainwater from adjacent fixed surfaces.

DESIGN

- / Length 500 and 1000 mm
- / Length 1000 mm including formed-in drain socket
- / Constructive height
150, 175, 200, 225, 250 and 305 mm
- / Sloped channels up to 20, constructive height 150 - 250 mm

EDGE PROTECTION

- / Cast iron GG KTL coated

ACCESSORIES

- / Inlet box with an integrated drain socket Ø 110mm
- / Inlet box with an integrated drain socket Ø 160mm
- / End cap closed for constructive heights
150 and 305 mm
- / End caps with connection piece Ø 110mm, for
constructive heights 150, 175, 200, 225 and 250 mm
- / End cap for strand high point flow direction change
for constructive heights 150 to 250 mm
- / End cap for strand low point flow direction change
for constructive heights 225 und 250 mm
- / Transition piece to connect channels with a
constructive height of 250 and 305 mm

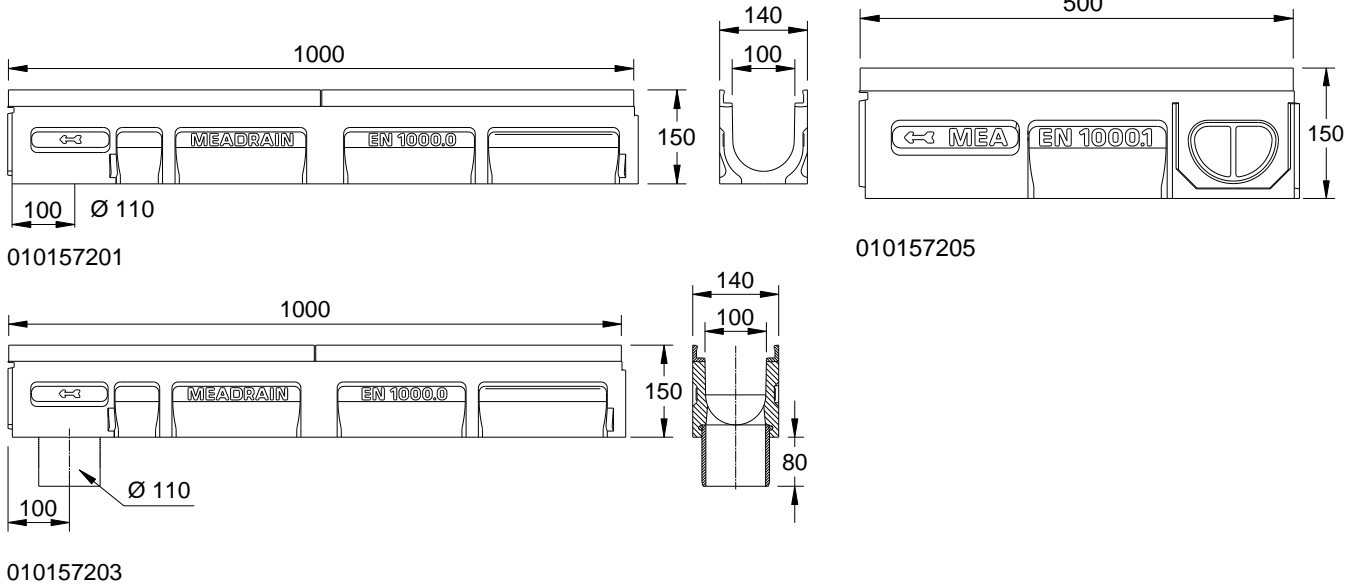
MEADRAIN EN 1000

A 15, B 125, C 250, D 400**, E 600**, F 900**

nominal width 100

MEADRAIN EN 1000 POLYMER CONCRETE DRAINAGE CHANNEL WITH AN INTEGRATED DUCTILE IRON FRAME AND SEALING JOINT ACCORDING TO EN 1433

Clear width of the channel body 100 mm, total width 140 mm. Suitable for all channel covers **MEA EN 100 PROFIX**, **MEA EN 100 4-fold bolted**, **MEA TSL 100** and **MEA TSH 100 TOPSLOT**. For the realization of water level slopes, loading classes, A 15 to F 900** according to EN 1433. Load capacity according to MEA installation instructions. General Building Authority Approval Z - 74.4 - 28



MEADRAIN EN 1000 DRAINAGE CHANNEL BODY WITHOUT FALL, LOADING CLASSES A 15 TO F 900** ACCORDING TO EN 1433

Designation	Ord. No.	Length [mm]	Height [mm]	kg/unit
MEADRAIN EN 1000.0 Drainage channel body ⁴⁾	010157201	1000	150	16,45
MEADRAIN EN 1000.0/A Drainage channel with tight formed-in flanged drain socket Ø 110 mm ⁸⁾	010157203	1000	150	16,80
MEADRAIN EN 1000.1 Drainage channel body ^{4) 14)}	010157205	500	150	8,43
MEADRAIN EN 1005.0 Drainage channel body ⁴⁾	010157219	1000	175	17,80
MEADRAIN EN 1005.0/A Drainage channel with tight formed-in flanged drain socket Ø 110 mm ⁸⁾	010157221	1000	175	19,12
MEADRAIN EN 1005.1 Drainage channel body ^{4) 14)}	010157223	500	175	9,60
MEADRAIN EN 1010.0 Drainage channel body ⁴⁾	010157237	1000	200	20,44
MEADRAIN EN 1010.0/A Drainage channel with tight formed-in flanged drain socket Ø 110 mm ⁸⁾	010157239	1000	200	19,26
MEADRAIN EN 1010.1 Drainage channel body ^{4) 14)}	010157241	500	200	10,42
MEADRAIN EN 1015.0 Drainage channel body ⁴⁾	010157255	1000	225	22,20
MEADRAIN EN 1015.0/A Drainage channel with tight formed-in flanged drain socket Ø 110 mm ⁸⁾	010157257	1000	225	23,12
MEADRAIN EN 1015.1 Drainage channel body	010157259	500	225	11,44
MEADRAIN EN 1020.0 Drainage channel body ⁴⁾	010157273	1000	250	24,18
MEADRAIN EN 1020.0/A Drainage channel with tight formed-in flanged drain socket Ø 110 mm ⁸⁾	010157275	1000	250	24,10
MEADRAIN EN 1020.1 Drainage channel body ^{4) 14)}	010157277	500	250	12,22
MEADRAIN EN 1030.0 Drainage channel body ⁴⁾	010157279	1000	305	27,78

** Not suitable for the diagonal or transverse travel of motorways and highways.

4) Connection option for vertical drain Ø 110 mm or to end cap with connection piece or to a gully/silt box.

8) With tight formed-in drain socket Ø 110mm

14) Connection option for corner-, t- and cross- connections.

MEADRAIN EN 1000

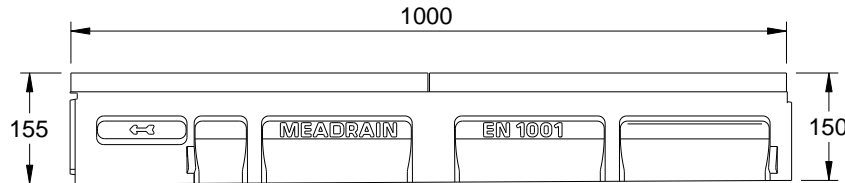
A 15, B 125, C 250, D 400**, E 600**, F 900**

nominal width 100

MEADRAIN EN 1000 POLYMER CONCRETE DRAINAGE CHANNEL

WITH AN INTEGRATED DUCTILE IRON FRAME AND SEALING JOINT ACCORDING TO EN 1433

Clear width of the channel body 100 mm, total width 140 mm. Suitable for the channel covers **MEA EN 100 PROFIX**, **MEA EN 100 4-FOLD-BOLTED**, **MEA TSL 100** and **MEA TSH 100 TOPSLOT**. For the realization of a linear fall (with fall 0,5%), loading classes, A 15 to F 900 ** according to EN 1433. Load capacity according to specification, when installed according to the MEA installation instructions. General Building Authority Approval Z - 74.4 – 28



010157207

MEADRAIN EN 1000 DRAINAGE CHANNEL BODY WITH FALL 0,5%, LOADING CLASSES A 15 TO F 900** ACCORDING TO EN 1433

Designation	Ord. No.	Length [mm]	Height [mm]	kg/unit
MEADRAIN EN 1001 Drainage channel body	010157207	1000	150-155	16,63
MEADRAIN EN 1002 Drainage channel body	010157209	1000	155-160	17,19
MEADRAIN EN 1003 Drainage channel body	010157211	1000	160-165	17,02
MEADRAIN EN 1004 Drainage channel body	010157213	1000	165-170	17,78
MEADRAIN EN 1005 Drainage channel body ⁴⁾	010157215	1000	170-175	17,88
MEADRAIN EN 1005/A Drainage channel with tight formed-in flanged drain socket Ø 110 mm ⁸⁾	010157217	1000	170-175	18,12
MEADRAIN EN 1006 Drainage channel body	010157225	1000	175-180	18,20
MEADRAIN EN 1007 Drainage channel body	010157227	1000	180-185	18,37
MEADRAIN EN 1008 Drainage channel body	010157229	1000	185-190	19,38
MEADRAIN EN 1009 Drainage channel body	010157231	1000	190-195	19,13
MEADRAIN EN 1010 Drainage channel body ⁴⁾	010157233	1000	195-200	19,52
MEADRAIN EN 1010/A Drainage channel with tight formed-in flanged drain socket Ø 110 mm ⁸⁾	010157235	1000	195-200	21,12
MEADRAIN EN 1011 Drainage channel body	010157243	1000	200-205	19,98
MEADRAIN EN 1012 Drainage channel body	010157245	1000	205-210	19,70
MEADRAIN EN 1013 Drainage channel body	010157247	1000	210-215	20,56
MEADRAIN EN 1014 Drainage channel body	010157249	1000	215-220	20,96
MEADRAIN EN 1015 Drainage channel body ⁴⁾	010157251	1000	220-225	21,26
MEADRAIN EN 1015/A Drainage channel with tight formed-in flanged drain socket Ø 110 mm ⁸⁾	010157253	1000	220-225	23,12
MEADRAIN EN 1016 Drainage channel body	010157261	1000	225-230	21,30
MEADRAIN EN 1017 Drainage channel body	010157263	1000	230-235	22,12
MEADRAIN EN 1018 Drainage channel body	010157265	1000	235-240	22,64
MEADRAIN EN 1019 Drainage channel body	010157267	1000	240-245	22,70
MEADRAIN EN 1020 Drainage channel body ⁴⁾	010157269	1000	245-250	23,04
MEADRAIN EN 1020/A Drainage channel with tight formed-in flanged drain socket Ø 110 mm ⁸⁾	010157271	1000	245-250	25,12

** Not suitable for the diagonal or transverse travel of motorways and highways.

4) Connection option for vertical drain Ø 110 mm or to end cap with connection piece or to a gully/silt box.

8) With tight formed-in drain socket Ø 110mm

MEADRAIN EN 1000

A 15, B 125, C 250, D 400**, E 600**, F 900**

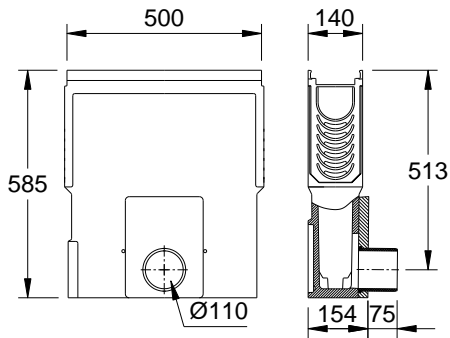
nominal width 100



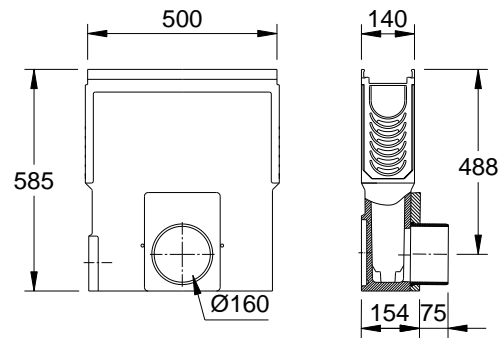
BUILDING SUCCESS

MEADRAIN EN 1000 ACCESSORIES

General Building Authority Approval Z - 74.4 – 28



010157301



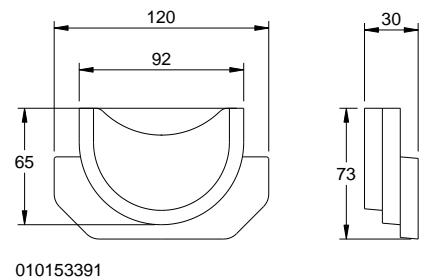
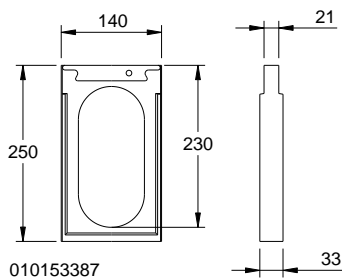
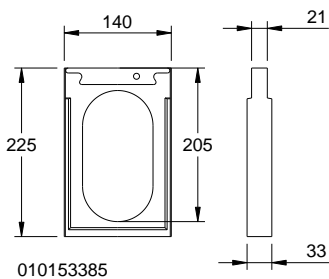
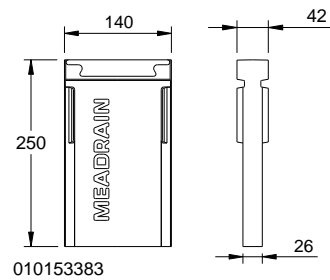
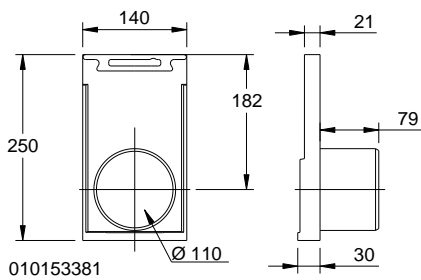
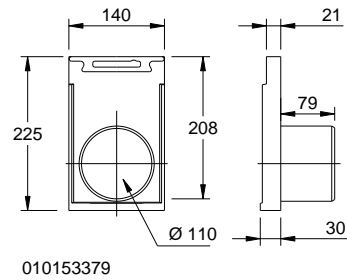
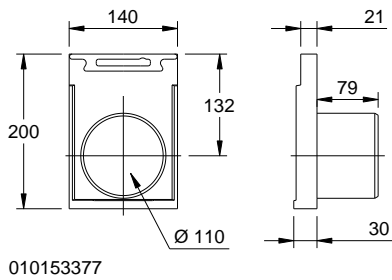
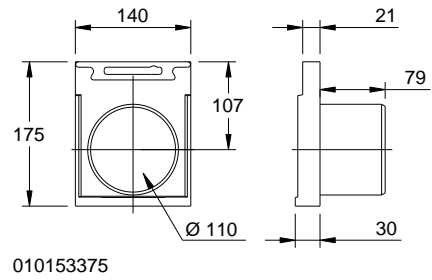
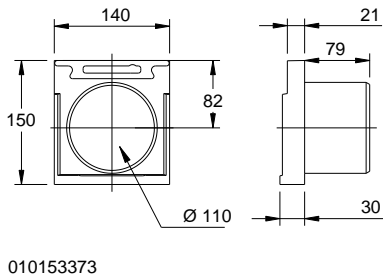
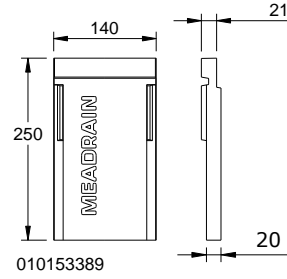
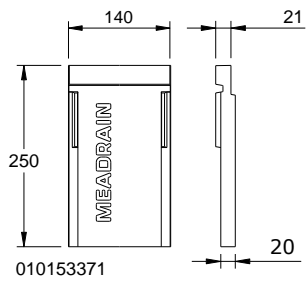
010157303

MEADRAIN EN 1000 GULLY INCL. PLASTIC SEDIMENT BUCKET**

Designation	Ord. No.	Length [mm]	Height [mm]	kg/unit
MEADRAIN EN 1000.EK110 gully with integrated drain socket Ø 110 mm incl. sediment bucket	010157301	500	585	30,15
MEADRAIN EN 1000.EK160 gully with integrated drain socket Ø 160 mm incl. sediment bucket	010157303	500	585	29,77

** Not suitable for the diagonal or transverse travel of motorways and highways.

MEADRAIN EN 1000 END CAPS



** Not suitable for the diagonal or transverse travel of motorways and highways.

MEADRAIN EN 1000 END CAPS

Designation	Ord. No.	Material	kg/unit
MEADRAIN EN 1000.SE End cap for channel start/end of the channel EN 1000 - EN 1020	010153371	Polymer concrete	1,30
MEADRAIN EN 1030.SE End cap for channel start/end of the channel EN 1030	010153389	Polymer concrete	1,30
MEADRAIN EN 1000.E End cap for the end of the channel with HD-PE connector Ø 110 mm, suitable for channel: EN 1000	010153373	Polymer concrete	1,10
MEADRAIN EN 1005.E End cap for the end of the channel with HD-PE connector Ø 110 mm, suitable for channel: EN 1005	010153375	Polymer concrete	1,30
MEADRAIN EN 1010.E End cap for the end of the channel with HD-PE connector Ø 110 mm, suitable for channel: EN 1010	010153377	Polymer concrete	1,20
MEADRAIN EN 1015.E End cap for the end of the channel with HD-PE connector Ø 110 mm, suitable for channel: EN 1015	010153379	Polymer concrete	1,80
MEADRAIN EN 1020.E End cap for the end of the channel with HD-PE connector Ø 110 mm, suitable for channel: EN 1020	010153381	Polymer concrete	2,00
MEADRAIN EN 1000.RWH for changing the direction of flow - strand peak for channel: EN 1000 - 1020	010153383	Polymer concrete	1,30
MEADRAIN EN 1015.RWT for changing the direction of flow - strand low point for channel: EN 1015	010153385	Polymer concrete	1,10
MEADRAIN EN 1020.RWT for changing the direction of flow - strand low point for channel: EN 1020	010153387	Polymer concrete	1,10
MEADRAIN EN 1020.UE for connecting the elements: EN 1020.0 and EN 1030.0	010153391	Polymer concrete	0,30

** Not suitable for the diagonal or transverse travel of motorways and highways.

This edition of the technical data sheet shall be valid from March 2020 until a revised version is published and replaces any previous publications. The respectively current version is available for download at www.mea-group.com.

JOINTING COMPOUNDS FOR STANDARD APPLICATIONS***

Designation	Ord. No.	Material	kg/unit
SABA MS Floor GREY sealant 600 ml in a bag, stable ***	010152708	MS Polymer basis	0,88
SABA Primer 9102 for undercoat, 1 litre	010155803	Silane basis	0,92
Joint Cleaner solvent 48, 1 litre, Cleaner for adhesive flanks	010155807	-	0,84
Dispensing gun for 600 ml bags	010152707	-	0,63

*** For watertight mounting of drainage channels (only for channels transporting rainwater). Not suitable for installation in LAU facilities, gas stations or similar constructions

This edition of the technical data sheet shall be valid from September 2021 until a revised version is published and replaces any previous publications. The respectively current version is available for download at www.mea-group.com.

MEA Bautechnik GmbH
Business unit MEA Water Management
Sudetenstraße 1
86551 Aichach
Tel.: +49 (0) 82 51. 91 0
Fax: +49 (0) 82 51. 91 13 06
E-Mail: info@mea-group.com
www.mea-group.com