



Concept Air Close Coupled Back to Wall WC Suite

Illustrated

- E0798** Concept Air close coupled back to wall wc pan with Aquablade technology, horizontal outlet
- E0806** Concept Air close coupled cistern 4/2.6 litre dual flush valve dual flush valve bottom supply and internal overflow
- E0811** Concept Air slim toilet seat and cover, slow close

Configuration options

- E0804** Concept Air close coupled cistern 6/4 litre dual flush valve dual flush valve bottom supply and internal overflow
- E0809** Concept Air slim toilet seat and cover normal close
- E0812** Concept Air wrap style toilet seat and cover, normal close
- E0814** Concept Air wrap style toilet seat and cover, slow close

Material

Vitreous China

Standards

Vitreous china to BS3402. WC pan to BS EN 997 and BS EN 33

Weights

- E0798 29.74KG
- E0806 10.44KG
- E0811 2.10KG

Special Notes

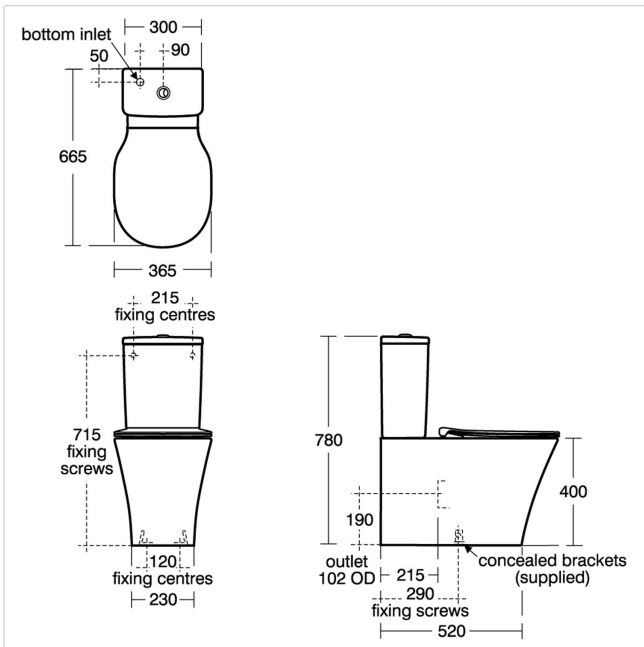
WC screwed to floor and cistern screwed to wall. Joint to wall and WC pan sealed with waterproof sealant (not supplied).

Colours

White (01)

Designer

Robin Levien, RDI



Frequently used applications

- | | |
|--------------------|-----------------------|
| Hotels | Office |
| Pubs and Clubs | Residential |
| Retail | Social Housing |
| Sports and Leisure | Student Accommodation |

Features

Water Saving



Email: info@idealspec.co.uk
 Tel: 0870 122 8822
 Fax: 0870 122 8282
 Web: www.idealspec.co.uk

