



Condensing units for air handling applications (pair)

ERQ-AV1/AW1

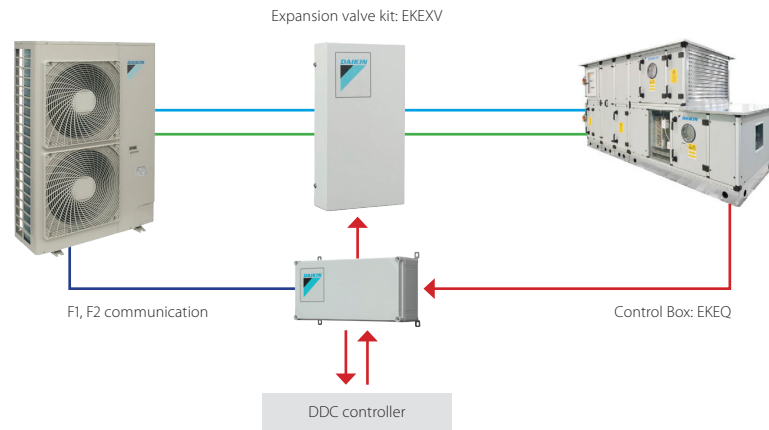
- › Connect ERQ to an air handling unit to provide optimized air conditions such as fresh air and humidity control, both in heating and cooling, for small warehouses, showrooms and offices
- › Inverter controlled units
- › Capacity range from 100 to 250 class
- › Heat pump
- › R-410A

ERQ-AV1/AW1



Ventilation				ERQ-AV1/ERQ-AW1	100AV1	125AV1	140AV1	125AW1	200AW1	250AW1
Capacity range			HP		4	5	6	5	8	10
Cooling capacity	Nom.		kW		11.2	14.0	15.5	14.0	22.4	28.0
Heating capacity	Nom.		kW		12.5	16.0	18.0	16.0	25.0	31.5
Power input	Cooling	Nom.	kW		2.81	3.51	4.53	3.52	5.22	7.42
	Heating	Nom.	kW		2.74	3.86	4.57	4.00	5.56	7.70
EER					3.99		3.42	3.98	4.29	3.77
COP					4.56	4.15	3.94	4.00	4.50	4.09
Dimensions	Unit	HeightxWidthxDepth	mm		1,345x900x320			1,680x635x765	1,680x930x765	
Weight	Unit		kg		120			159	187	240
Casing	Material				Painted galvanized steel plate					
Fan-Air flow rate	Cooling	Nom.	m ³ /min		106			95	171	185
	Heating	Nom.	m ³ /min		102	105		95	171	185
Sound power level	Cooling	Nom.	dBA		66	67	69		-	
	Nom.		dBA			-		72	78	
Sound pressure level	Cooling	Nom.	dBA		50	51	53		-	
	Nom.		dBA			-		54	57	58
Operation range	Heating	Nom.	dBA		52	53	55		-	
	Cooling	Min./Max.	°CDB		-5/46				-5/43	
Refrigerant	Heating	Min./Max.	°CWB		-20/15.5				-20/15	
	On coil temperature	Heating Min.	°CDB					10		
Refrigerant	Cooling	Max.	°CDB					35		
	Type/GWP				R-410A/ 2,087.5					
Refrigerant	Charge		kg/ tCO ₂ eq		4.0/ 8.4			6.2/ 12.9	7.7/ 16.1	8.4/ 17.5
	Control				Expansion valve (electronic type)			Electronic expansion valve		
Piping connections	Liquid	OD	mm					9.52		
	Gas	OD	mm		15.9	19.1		15.9	19.1	22.2
Piping connections	Drain	OD	mm		26x3					
	Power supply	Phase/Frequency/Voltage	Hz/V		1N~/50/220-240			3N~/50/400		
Current	Maximum fuse amps (MFA)		A		32.0			16	25	

Contains fluorinated greenhouse gases



For more information email info@daikinapplied.uk or visit www.daikinapplied.uk

London Sales Office
69 Questor Estate
Pearsons Way
Dartford, Kent
DA1 1JN
01322 424950

Head Office
Bassington Industrial Estate
Cramlington, Northumberland
NE23 8AF
01670 566159



Daikin Europe N.V. participates in the Eurovent Certification programme for Liquid Chilling Packages (LCP), Air handling units (AHU), Fan coil units (FCU) and variable refrigerant flow systems (VRF) Check ongoing validity of certificate online: www.eurovent-certification.com or using: www.certiflash.com

The present publication is drawn up by way of information only and does not constitute an offer binding upon Daikin Europe N.V. Daikin Europe N.V. has compiled the content of this publication to the best of its knowledge. No express or implied warranty is given for the completeness, accuracy, reliability or fitness for particular purpose of its content and the products and services presented therein. Specifications are subject to change without prior notice. Daikin Europe N.V. explicitly rejects any liability for any direct or indirect damage, in the broadest sense, arising from or related to the use and/or interpretation of this publication. All content is copyrighted by Daikin Europe N.V. Printed on non-chlorinated paper.

