



# Cyclepods

Transforming bike storage



## CYCLEPODS IN RAIL

[WWW.CYCLEPODS.CO.UK](http://WWW.CYCLEPODS.CO.UK) - T:01959 546 046 - [INFO@CYCLEPODS.CO.UK](mailto:INFO@CYCLEPODS.CO.UK)

There have been huge advances in cycle parking infrastructure in the last few years fuelled by a growth in the popularity of cycling both as a leisure activity and a commuter option, as well as bike hire/share schemes. The DfT is expecting more from bidders than just an increase in the number of cycle parking spaces. As rail franchises come up for renewal it is clear that cycle-rail integration is high up on the list of franchise commitments expected by the Department for Transport (DfT) as is evident from recent ITTs.

**SCOTRAIL FRANCHISE ITT:**

- To promote the benefits of cycling and station cycling facilities...including co-operation with cycle hire schemes
- The Franchisee will be required to put in place plans and proposals to report, record, monitor and communicate to Transport Scotland the number of bicycles using both train and station facilities.

**THAMESLINK, SOUTHERN & GREAT NORTHERN FRANCHISE ITT:**

- Supporting the broader sustainable transport agenda including encouraging cycling
- The Department requires a Franchisee who will improve the door-to-door journey experience and encourage cycling

**ESSEX THAMESIDE FRANCHISE ITT:**

- Proposals that support the broader sustainable transport agenda by encouraging cycling

**EAST COAST FRANCHISE ITT:**

- Growth in transport integration, including sustainable door-to-door journeys

This has implications for any organisation involved in bidding for or operating a rail franchise. Sticking some Sheffield stands in an area of waste ground somewhere within the lease area is no longer an option. A partner is required, not just with relevant experience and with a value for money product range, but who constantly delivers innovation and adds value to cycle-rail integration projects.

Look no further than Cyclepods. Friendly and amenable we have the relevant experience having worked in the Rail industry for 7 years and installed some 10,000 cycle parking spaces. We add value by working closely with the client to ensure best fit, we can offer an in-house design team, project management and turn-key solutions.

**WE WERE A PARTNER BEHIND THE WINNING ENTRIES IN THE ATOC NATIONAL CYCLE-RAIL AWARDS:**

- 2015 Station of The Year – Southern Rail, Brighton Station
- 2015 Station of The Year (Highly Commended) – South West Trains, Woking Station
- 2014 London Cycle Parking – South West Trains, Surbiton Station
- 2013 Innovation – Abellio, 'Bike & Go' bike hire scheme
- 2013 London Cycle Parking, Southern Rail, Peckham Rye Station
- 2013 Operator of the Year – South West Trains
- 2012 Operator of the Year - Southern Rail
- 2012 Partnership Working - East Midlands Trains





# CYCLE HUBS

Our Cycle Hubs are the cutting edge in high volume bike storage facilities. We provide a range of technology and equipment that can be used to create maximum security, access control, data recording and cyclist friendly amenities.

There is no such thing as an off the shelf “hub” and what is a “hub” anyway? Every hub has to be carefully designed to fit bespoke requirements and needs, so there is no such thing as a generic cycle hub.

Our in-house design team can arrange everything from the topographical survey, drawings for planning applications and getting it built. Basically, we offer a turnkey solution.

We have created and designed solutions for Hub buildings as well as a range of technology based systems, which we call ‘Cycology’, to equip your hub with. This gives you the ability to customise your hub by picking and choosing using the individual components. Cycle Hubs are for cyclists, and so need to be cyclist friendly. This means a Hub needs to be more than a bike storage space, it should be a fully equipped facility.

Our access technology systems are highly secure entry and exit controls which are easily adapted to suit any environment and location. They are quite literally the front line in keeping your hub secure, with several options available for access control such as key fobs, coded locks or key cards.

The technology can also be used for measuring data as entries/exits can be recorded and maintained with remote software.

*Lewes Cycle  
Hub*





With our experience we can provide a cost-effective, usable solution which takes into account maintenance obligations to ensure a trouble-free facility during the life of the franchise.

*Winchester  
Cycle Hub*



*Horsham Cycle Hub*





## LEWES CYCLE HUB

This was a full turnkey project for Cyclepods. We were involved in every step of the process from designing the initial Hub concept to carrying out installation and fully equipping the Cycle Hub with state-of-the-art facilities.

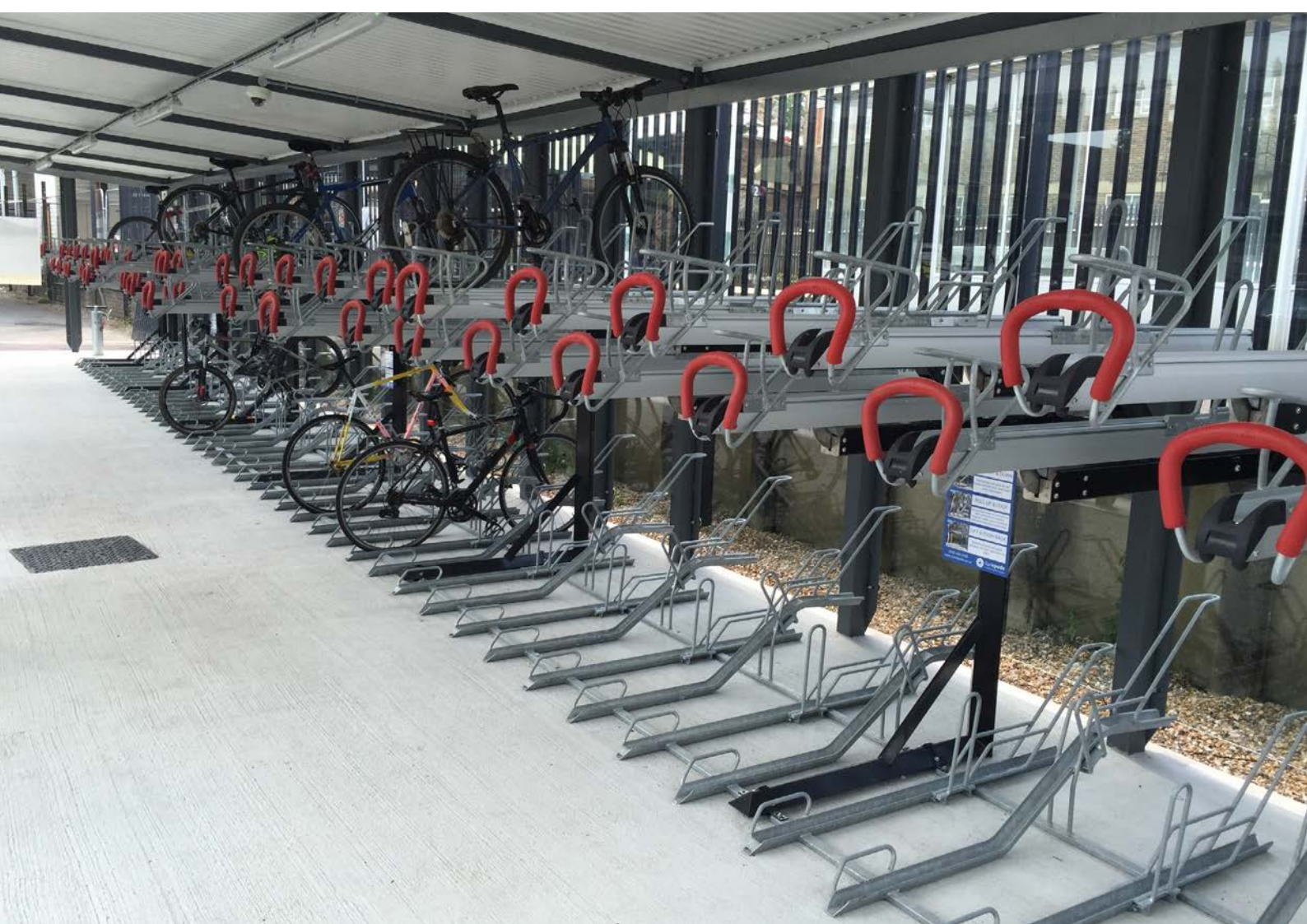
Our in-house design team produced the design for the hub based on our modular Cycle Hub idea. The structure for Lewes is made of steel with tempered glass walls and RigiSystem roofing. This design also allows for extending the Hub in the future, should the volume of cyclists to the station increase. The project included liaising with planning authorities and the local conservation team.

Site constraints also played a part in carrying out the build, it was necessary to keep clear of Network Rail Infrastructure and ensure the site was as contained and safe as possible throughout installation, whilst still allowing waste disposal lorries to access the site and minimise the amount of car parking spaces used. This Cycle Hub at Lewes Train Station is now the second of several Hubs we have completed with Southern Rail to work with their travel smartcard, the 'Key', as an access card to the Hub. Other security measures at the Hub include CCTV system and Security Lighting.

To maximise bike storage capacity in the Hub we used our most space-efficient solution, the Easylift+ 2-tier, to provide 100 spaces.

We have also included a Public Bike Pump and Repair Stand inside the Hub to provide tools for basic bike repairs. When building a Cycle Hub, we believe that it should contain all the facilities that the everyday cyclist may need to ensure that the Hub provides a self-sustainable and user-friendly environment for cyclists. The result is a fully equipped and cyclist friendly Cycle Hub facility in bespoke, modular construction which will increase cycle parking at the station by 100 spaces with the loss of just 8 car parking spaces!







# DETAILED SPECIFICATION

## STRUCTURE

Mild steel galvanised to BS EN ISO 1461:2009

Powder coated BS EN 12206-1:2004

Support columns 100 x 100 x 4mm

Base plates 250 x 250 x 10mm

Outer roof frame 120 x 60 x 4mm

Unequal angle glazing flange 100 x 75 x 5

## ROOF

Metztec purlins 142 x 42 gauge lines 56

Ziplock seam roof by Ridigial or similar, powder coated to match frame, insulated 140mm deep

Hidden box gutter as per detail

Cladding trims as per detail

## GLAZING

12mm thick toughened and laminated single glaze panels, For secured by design rating increase to BS EN 356:2000 P2A - Supplier, Pilkington -Product -Optilam - Spec EN356 Class P2A

Stainless glass connectors as per detail 304 Satin finish - counter sunk

## FOUNDATION (suggestion as depends on location)

Raft foundation as per detail - 250mm x 400mm decreasing to 150mm. 2 x A252 mesh

Structural calculations on request

## DOOR

Sliding door option, security rated to PAS24:2012 for secured by design rating, tested to BS EN 1627/30. Suggested width 1500-1780 clear opening.

## ACCESS CONTROL

Cyclepods, Cycology division supplies a "cyclist" specific access control system which is design to work perfectly for cyclists and the provider of facilities such as this.

Off the shelf access control products can also be used however Cyclepods highly recommends it specific access control technology.

## LIGHTING

Cyclepods, Cycology division supplies a "cyclist" specific light which includes PIR, daylight sensor and LED's in one unit. Number of fittings depends on final size of Hub. Off the shelf lights can also fitted to the purlins.

## CYCLE PARKING

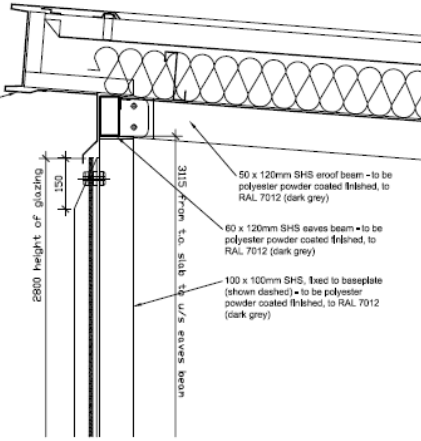
Cyclepods recommend the Easylift gas assisted two tier system.

## OPTIONAL

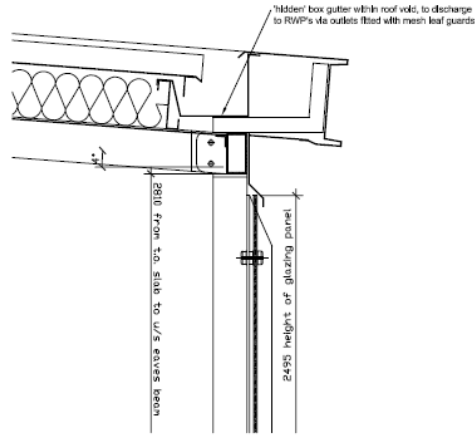
Cyclepods recommend robust public cycle pumps and repair stations such as the Air-kit 3 and Fix-it station



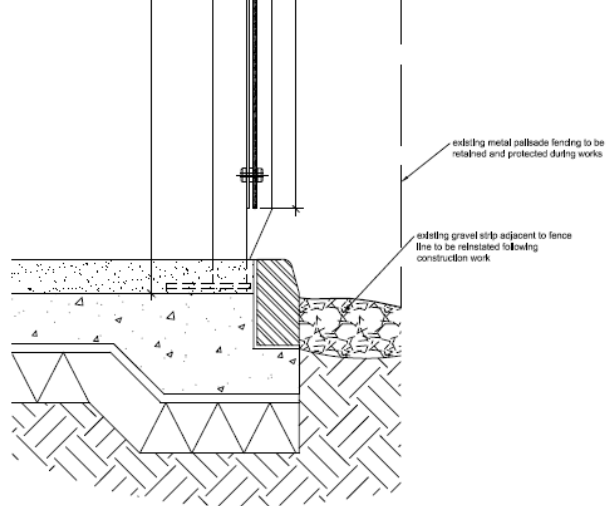
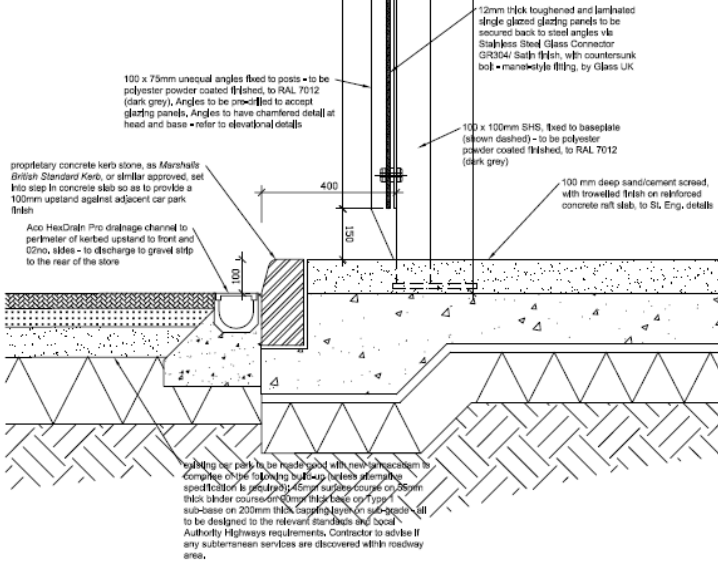
roof ballast roofing to be aluminium Zblock standing seam roof by Ridgeal, roof fascia profile/soffit/ all trims to be polyester powder coated to RAL 7012 (dark grey). Standing seam roof sheets and hidden gutter to be self finished aluminium sheathing. Underside of roof structure to receive liner tray, finished in polyester powder coat, colour - white. Roof void to be insulated using 140mm deep quilt insulation. All roofing elements to specialist sub-contractors design. All roofing components to be installed in accordance with manufacturers recommendations and details.



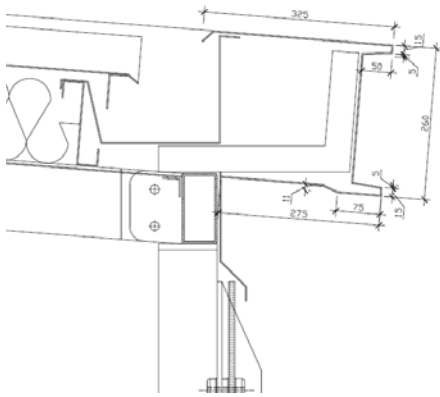
CyclePod Roof Details - Detail no.R01



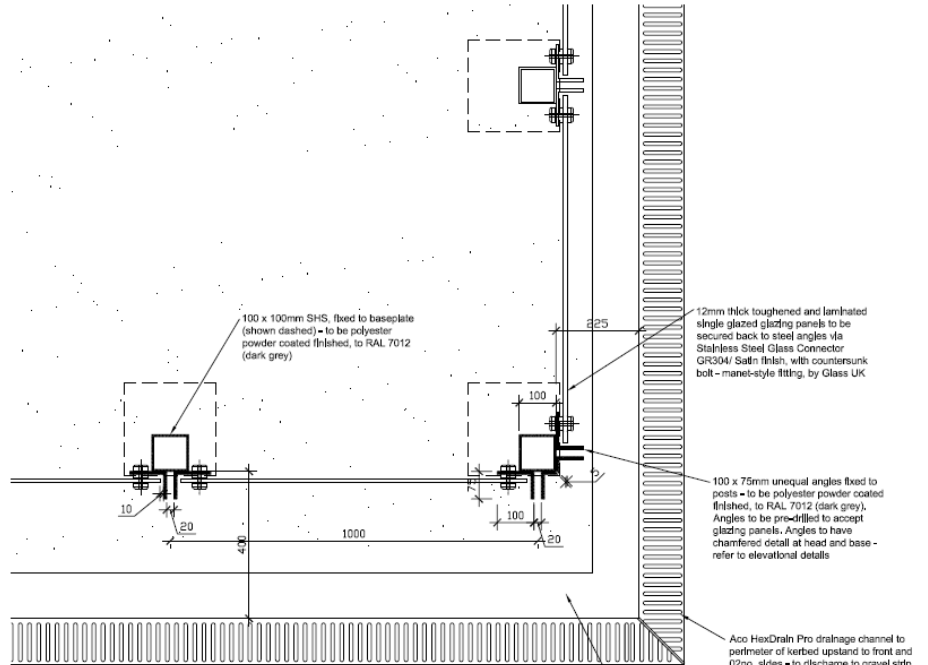
CyclePod Roof Details - Detail no.R02



Complete section detail



Rear gutter detail



Corner detail

# SECTION DETAIL

## SOUTH WEST TRAINS HUBS

In 2016, Cyclepods took on our biggest project to date. We designed and built 8 new Cycle Hubs across the South West Trains Networks as part of their Cycle-Rail Integration project, in partnership with the Department for Transport, local authorities and the Rail Delivery Group.

All eight of the Southwest Trains Cycle Hubs have been built with a galvanised and powder coated steel structure with different combinations of glass, Kalzip and wooden cladding.

The steel used is manufactured within the European Union to EU standards and the structure consists of 80 x 80mm box section columns with 100 x 100mm roof beams. It was specifically designed to allow for different claddings and sizes. The hubs are modular and can easily be added to in the future if so required.

The first of the cladding options was Kalzip. Kalzip is an aluminium cladding system, also manufactured in the EU, and designed to be hard wearing in all climates and environments. The nature of the cladding is both functional and allows for passive surveillance due to the perforated design of the material.

The second cladding option was glass, which was used alongside wooden or Kalzip cladding for aesthetic purposes as well as providing a better lit environment to the inside of the hub. The glass used was 12mm thick, thermally toughened and laminated to give a higher resistance to crash penetration and splintering.

The final cladding option was wood. The wood used was western red cedar which is a widely used architectural cladding due to its longevity and durability. The cedar itself is managed sustainably in Canada where for every 1 tree felled, another 3 are planted. At Ewell West, the addition of a green roof was also implemented for aesthetic as well as conservation reasons to help it blend in with the local environment.

*Walton on  
Thames  
Cycle Hub*





The outside of each hub has clear signing to indicate their intended use, as well as advertising some of the facilities such as CCTV presence, 24-hour usage and maintenance tools.

The storage provided inside the hubs was a two-tier system, CapaCITY. The CapaCITY is a Dutch rack and the design is optimised for ease of use and bike protection, as well as providing a space saving solution to bike storage. A total of 1,162 bike storage spaces have been provided for across the 8 hubs.

The hubs were also equipped with bike pumps and repair stands, providing a facility for cyclists to carry out minor repairs and maintenance, and customer information screens which display real-time weather information and train timetabling. Each hub was also fitted with lighting and CCTV to ensure they are well lit, secure and inviting facilities.

As well as the hubs themselves, extensive groundworks were carried out in and around the area to create better forecourts, ramps and access routes.

Woking Station already had an existing 250 space Cycle Hub, so an extension was designed for this which would double the amount of bike spaces and retain exactly the same style as the original hub.

The new section was built on steel stilts to raise it off the ground, in order to keep from losing the 10 car parking spaces underneath the new section. The two sections are linked with a small flight of stairs equipped with runners for users to easily wheel their bikes up and down. Access is also available to the new section via the street.

*Haslemere  
Cycle Hub*







Ewell West  
Cycle Hub



Teddington  
Cycle Hub





Winchester  
Cycle Hub



Brookwood  
Cycle Hub



## SUTTON STATION

At Sutton Station we renovated the entire existing bike storage facilities which were worn and tired and becoming unsafe, and created a cyclist friendly space.

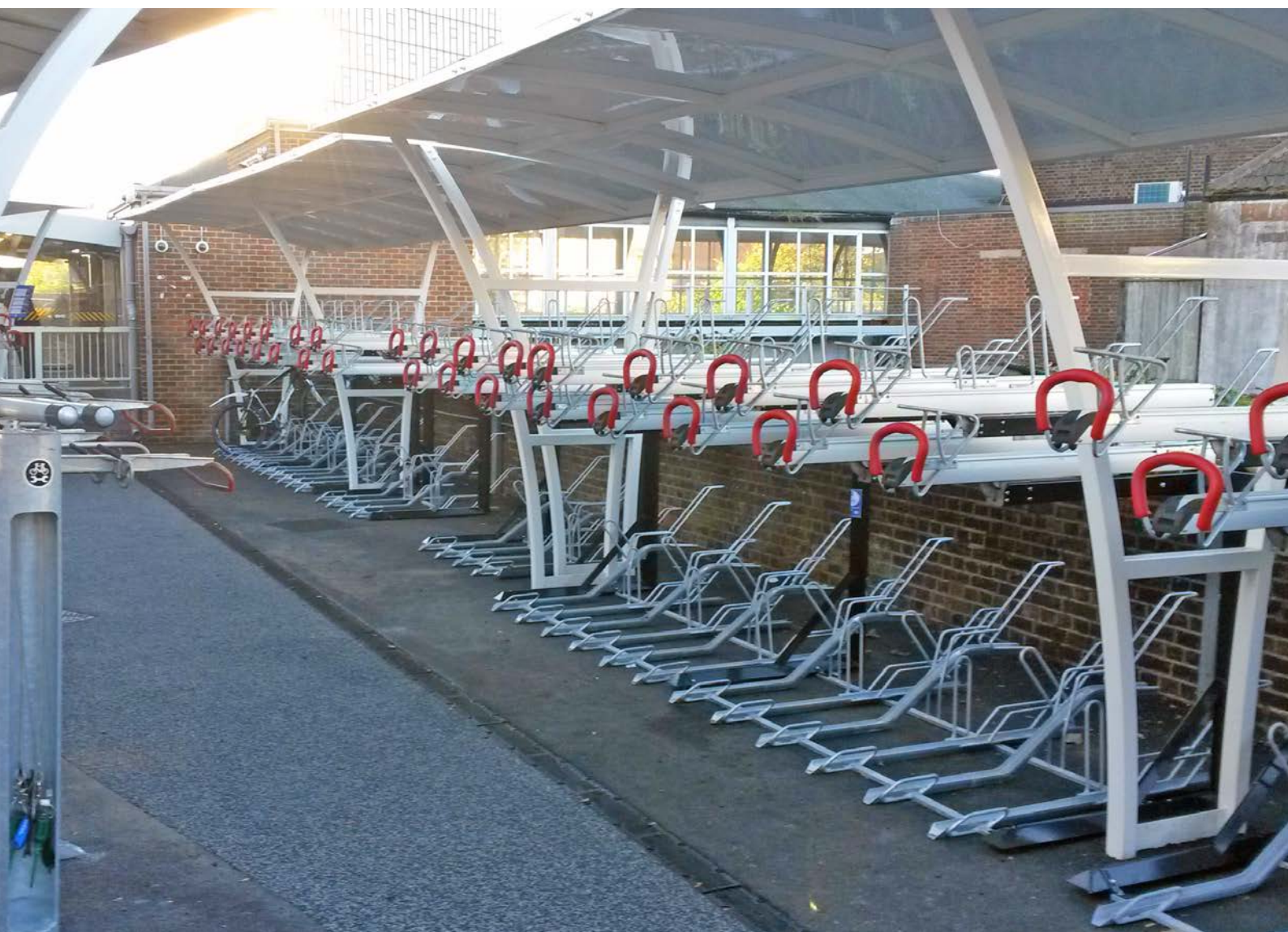
The bike parking facilities at Sutton were compromised of several different types of outdated racks including toast racks and damaged shelters as well as an old two tier storage system with no gas assisted lifting. The old storage only provided 90 bike spaces and far more were needed at this busy commuting station.

The ground at the site was also proving problematic due to unlevelled tarmac as well as poor drainage and flooding which left the ground slippery and muddy. We removed and disposed of all the old shelters and rack and pulled up the uneven tarmac.

After thorough CAT scanning of the area to assess any hidden services, a new sub base of sand and stones was put up to level the ground surface. After this reinforced concrete was laid and left to cure for 4 days.

ACO drainage was then installed and the manholes raised to compensate for the flooding issues, and concrete was covered in aggregate bonding with a special seal coat to protect the ground from becoming loose and uneven in the future. The seal coat required particularly high levels of consideration as it cannot be applied if rain, frost or temperatures of below 5°C are expected in the 24 hours after laying!

*Sutton Station*





After the seal coat had dried, we installed our Brighton shelters onto the concrete. All concrete was then covered in the resin bonded tarmac to give a clean, uniform finish to the ground. The cycle path leading up to the bike storage facilities was also covered in the same resin bonded tarmac. The porous surfacing meant that water was soaked up meaning no danger of slipping or skidding if the path were to freeze over or after a frost. Once the tarmac had set, 144 new bike spaces were installed using our Easylift+ system, nearly 50 more spaces than were previously available. The Easylift was also a superior product to the old storage solutions, with its gas-assisted lift, secure design and durability.

We also installed a repair stand and public bike pump for users to carry out minor repairs to their bikes if necessary. A small touch that makes a huge difference to the everyday cyclist!

The overall result at Sutton Station was a completely transformed bike storage park which was both an aesthetic and practical improvement that will deliver easy to use, safe and secure bike storage.

*Sutton Station*





# EASYLIFT PREMIUM

The Easylift Premium is a highly convenient gas assist two-level bicycle parking system. The lifting system ensures that a bicycle can be parked on the top level effortlessly.

## Key Benefits:

- The most successful two tier cycle parking system with 65,000 installed at Dutch stations alone over last 4 years.

- Eight thousand spaces installed in UK over last 4 years.

- Easy to use:

Light aluminium upper arm.

Upper arm on casters for easy glide action.

Upper arm reaches to the floor for ease of loading bike.

- European manufacture for quality assurance.

- Welded and bolted construction. Security bolts give additional security.

- Gas assist action:

Dampers stop upper arm from falling down uncontrolled.

Lifts loaded upper arm with little effort.





Product Name: Easylift Premium Two Tier.

Depth of unit: 1900mm.

Minimum manoeuvring space: 2100mm.

Track material: Aluminium.

Galvanised supports and cross beams:  
Finished to BS ENISO11461.

Handle Material: Red Polymer handle with  
steel support.

Lowering Mechanism: Gas assisted.

Centre to centre per bike: 375mm (standard)  
- 400mm - 500mm.

Surface mounted: Free standing, no bolting  
down into ground required.

Configurations:

Single Sided: 4-8-12-16.

Double Sided: 8-16-24-32.

Units can be bolted onto each other to form  
a continuous line to desired length.

Modular construction: Can be extended  
upon.

Security: 3 individual locking points per rack.

Warranty required for Two tier: 5 years.

Overall Clearance: Minimum Height  
required: 2600mm.

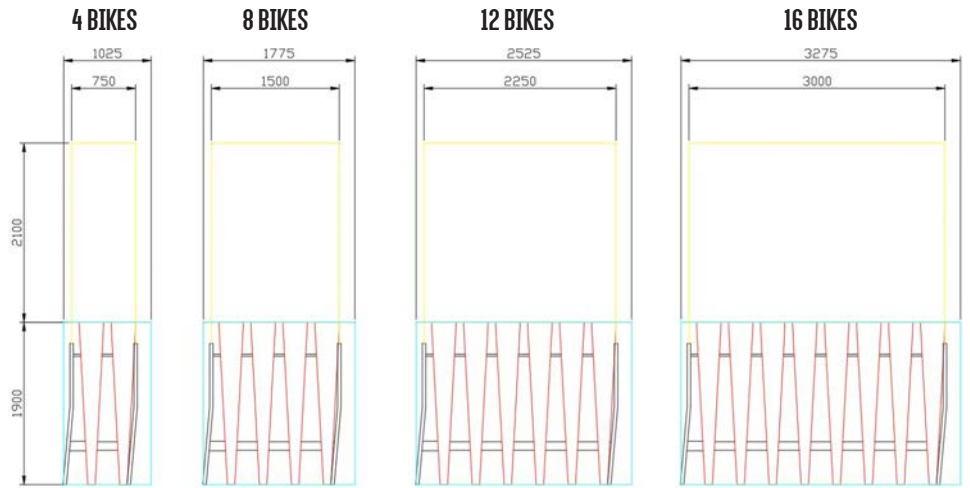
Product Code: ELIFT01 (alu).

Frame Finish Options: Galvanised,  
Galvanised and Powder Coated.

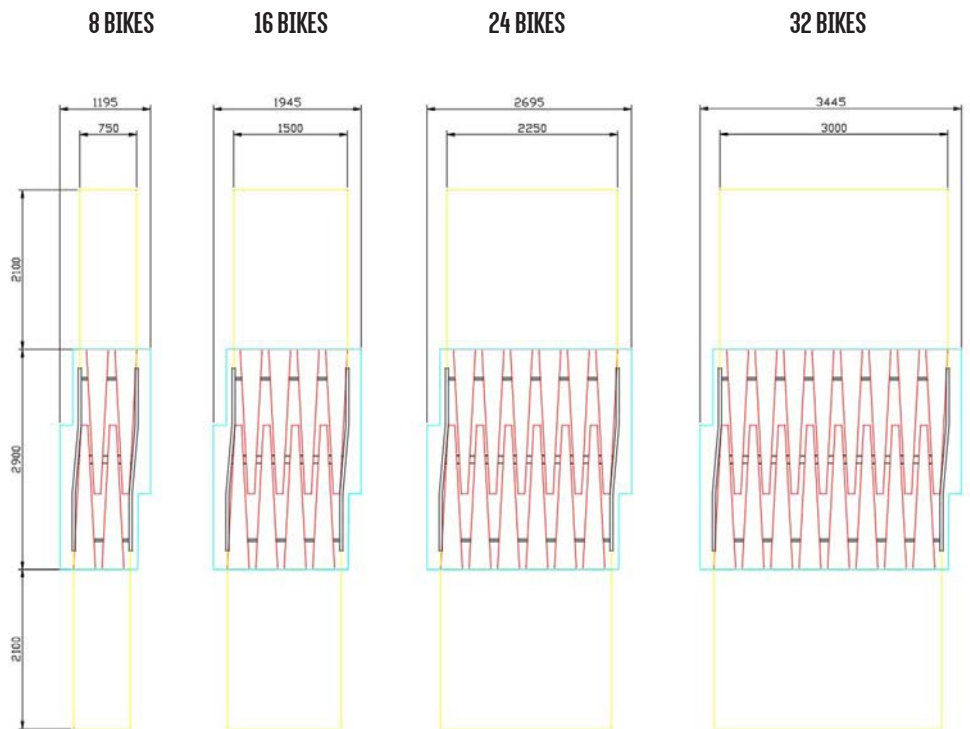
FIETSPARKEUR achieved in 400mm centres  
version.

Various shelter options available for all  
products.

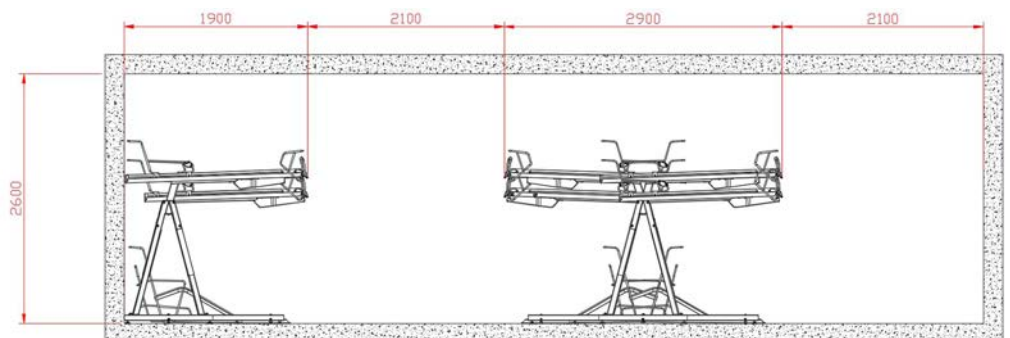
### SINGLE SIDED CONFIGURATIONS



### DOUBLE SIDED CONFIGURATIONS



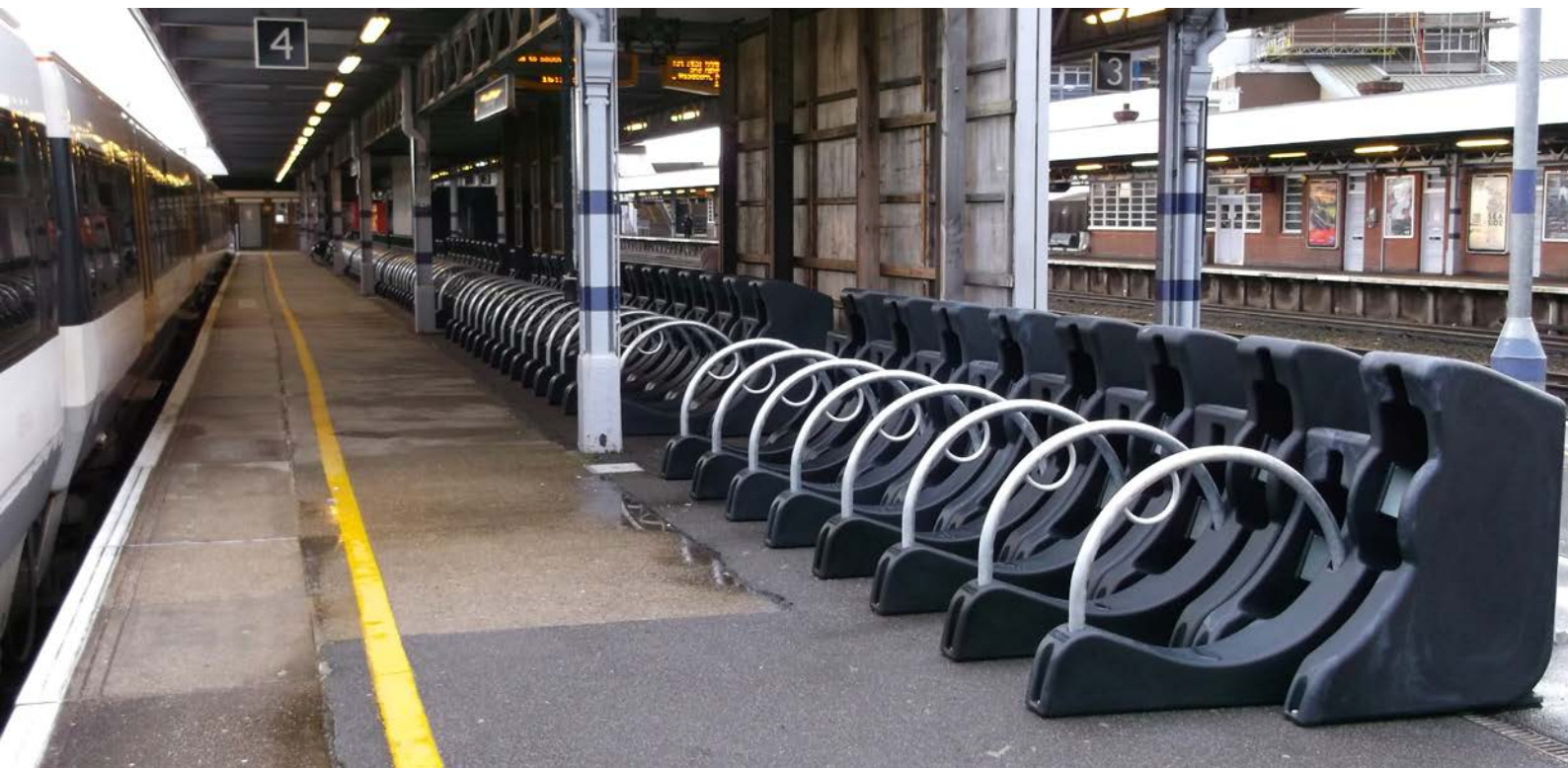
### SIDE ELEVATION



# POLICE APPROVED CYCLE PARKING

Our Streetpod was specifically designed for the railway. We wanted to design a product for non-secure environments such as inner-city low-footfall railway stations or a high street environment that would only require one lock to secure the whole bike. The Streetpod went through a rigorous independent testing process to achieve Secured By Design status. The British Transport Police asked us to undertake additional testing to satisfy them with graffiti and fire resistance. We were able to demonstrate that graffiti can be washed off with fairy liquid in warm water and a kitchen sponge and that lighting a fire in the Streetpod using newspaper will burn without any damage to the Streetpod.

A Streetpod was installed amongst standard bike racks at EMT head office to allow EMT to show directors and visiting station staff the product before a trial at stations. Whilst the Streetpod was on trial there was a failed theft attempt of a bike from the Streetpod, however a bike in the Sheffield stands next to the Streetpod was stolen. The result of this was the purchase of 200 Streetpods during 2010-2011. East Midlands Trains purchased even more Streetpods for more stations during 2014, confirming their trust in the product.



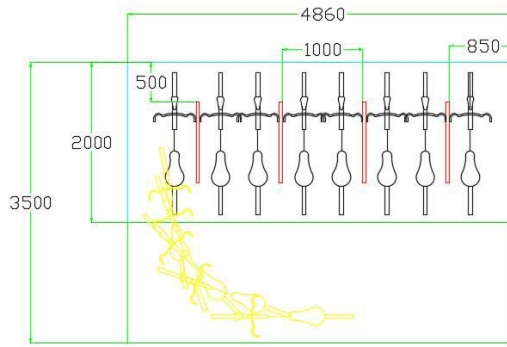
*75 Streetpods were installed at Tonbridge Station for South Eastern, providing 150 cycle parking spaces*



## STREETPOD SPACE SAVINGS

BREEAM/CODE for Sustainable homes bike stand layout

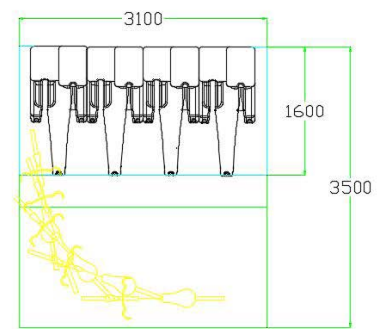
Space required = 16.8 square meters



— Roll out space required  
— Static space required  
— Bike in roll out position

BREEAM/CODE for Sustainable homes Streetpod layout

Space required = 10.85 square meters



Streetpod- 35% less space used

Product Name: Streetpod—SBD

Panel Material: Medium density polyethylene (MDPE), Black version is recycled and recyclable, where as colour versions are just recyclable.

Wall Thickness: 7-9 mm. 65mm channel/ track width to cater for 99% of all standard European tyre width's.

Finish: Dimpled effect. Standard colour black, other colours available at additional cost.

Product Weight: 20kg each.

Securing loop: Galvanised Steel as standard, Stainless steel option available.

Securing loop thickness: 50 mm diameter, with 3.2mm thickness . 20mm solid securing bar.

Fixing Method for loop Arms: Fixed to floor using ground anchors/resin.

Fixings Material: All standard Streetpod fixings are Galvanised/Stainless steel. Ground anchors are nickel plated.

Ground Fixings Required: 3 types: 16mm outer diameter shield anchor bolts drilled to a depth of 100mm max . Self using M14 Sheer off nuts and resin. 5 fixing bolt required per Streetpod

Ground Type Required: Solid level base required. Concrete, large slabs with minimum 50mm thickness

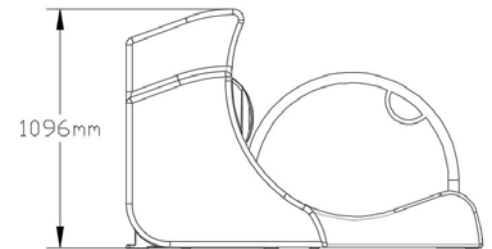
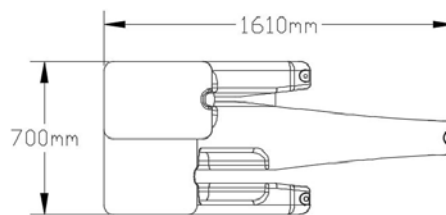
Internal fixings: Shear off nuts + Loc tight to be used on all internal fixings.

Product Code: STREET001

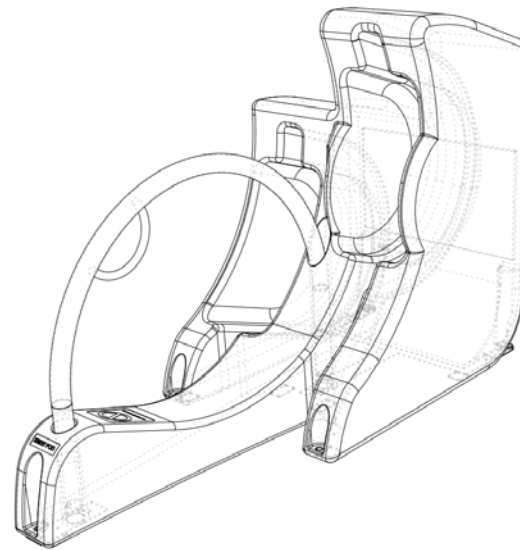
Colour Options: Standard in Black (Recyclable) Red, Yellow, Royal Blue, Light Blue, Dark Green, Light Green, Grey, Stone effect and multicolour available.

Various shelter options available for all products.

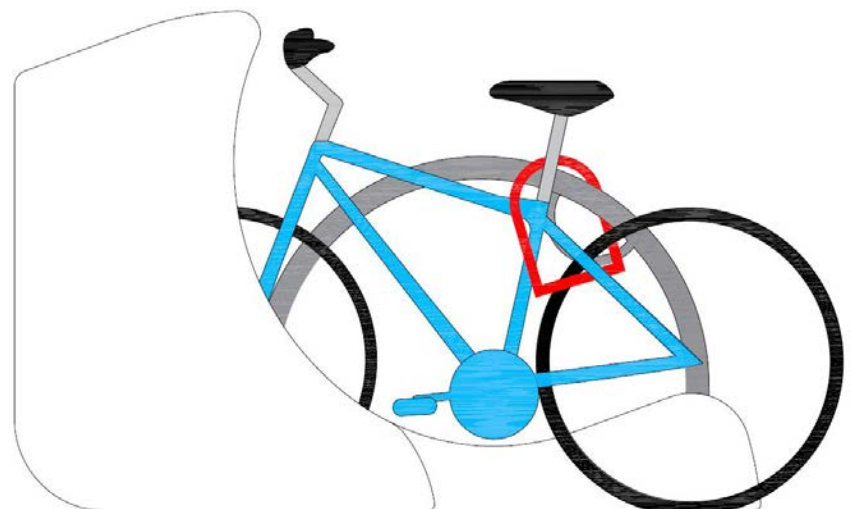
## STREETPOD DIMENSIONS



## STREETPOD 3D VIEW



## HOW TO LOCK YOUR BIKE TO THE STREETPOD:





## SHELTERS

*208 Easylift+ Two Tier  
racks under 9 Brighton  
shelters*

We have designed a wide range of both single-tier and two tier parking shelters that are robust, stylish and yet functional. Cabling can be run up the legs of the shelters thus avoiding the need for unsightly trunking. Our shelter roofs are designed in such a way that algae, tree sap or rubbish can't be seen from below and thus avoiding service quality fails or high level maintenance.



Product Name: Brighton Two Tier Cycle Shelter

Product Description

BREEAM and Code for Sustainable Homes Compliant

This bike shelter can help contribute towards gaining ENE8 Cycle storage credits when used in the appropriate situation, under the Code for Sustainable Homes

Specification:

- Shelter manufactured from hot dipped Galvanised steel to BSEN ISO1461
- 70m x 70m box section
- Standard Transparent UV PETg 4mm roof or double layer Alupanel. Black to up side, white to downside
- Aluminium fixing straps
- All fixings to be galvanised or aluminium
- Plastic coloured end caps
- Full round welds
- Nyloc nuts are used for safety
- Angled roof
- Integrated gutter option
- Standard 5 metre version stores 24 bikes/48 bikes using our Easylift Two tier racks. Extensions available up to any length.

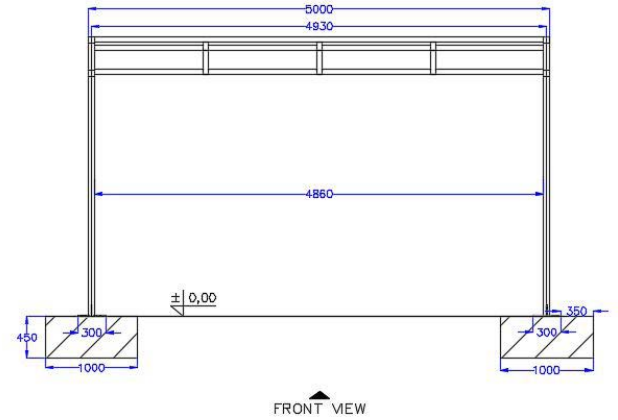
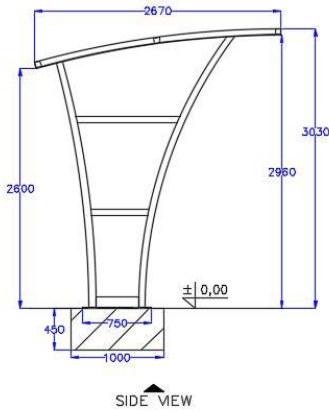
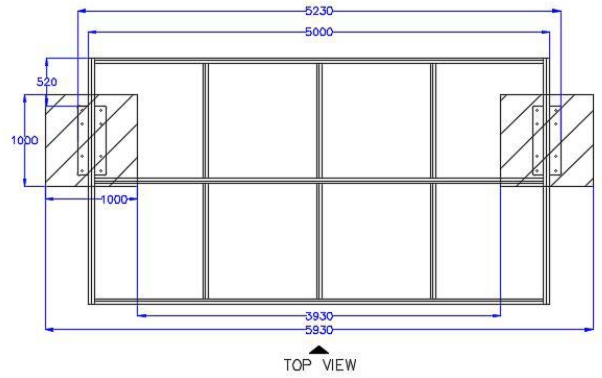
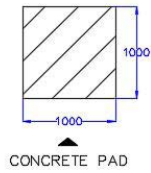
Finish: Galvanised as standard. Powder coating available.

- Two ground fixing options
- Base plate fixing
- Submerged fixing

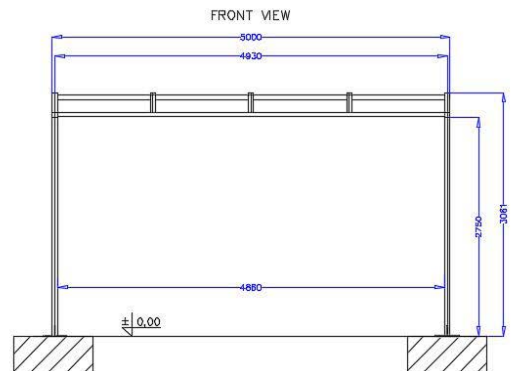
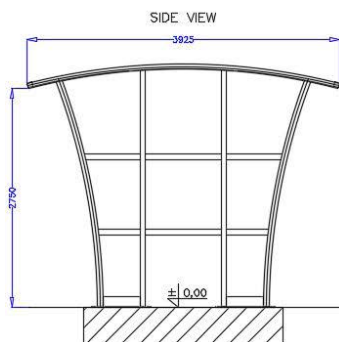
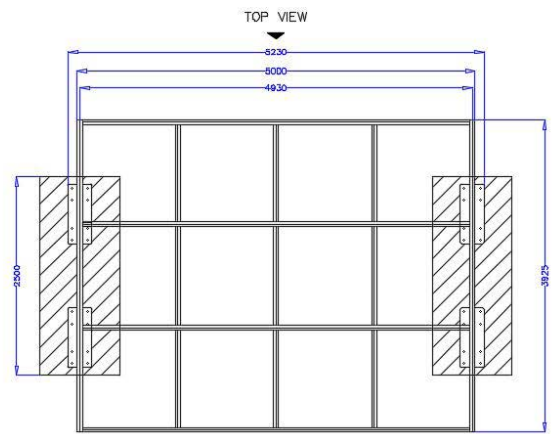
Additional Information

Weight: 180kg for single sided version

**SINGLE SIDED VERSION**



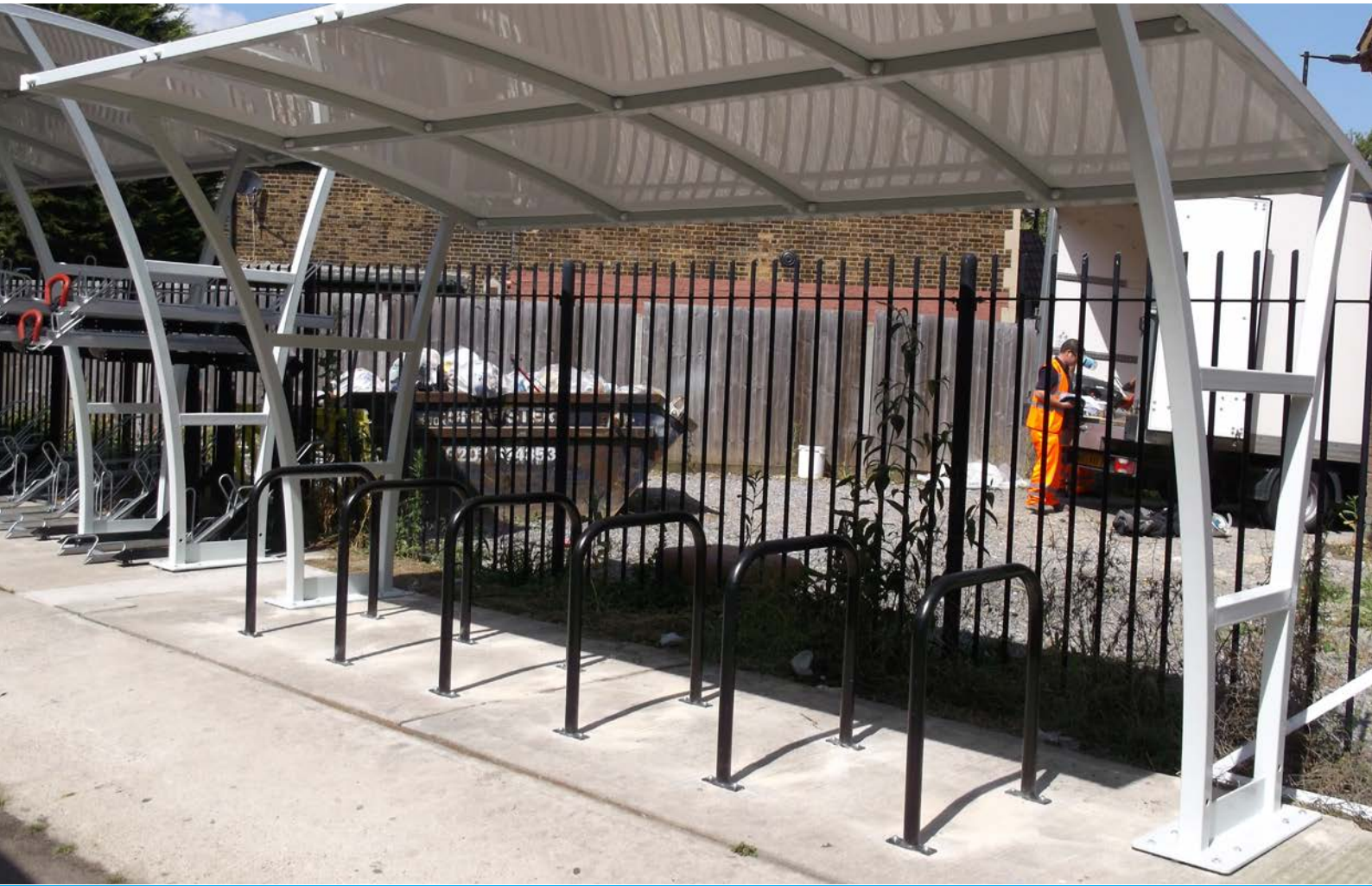
**DOUBLE SIDED VERSION**





# TRADITIONAL SOLUTIONS

It's important to remember that no one solution fits all. We are therefore also able to provide a complete range of cycle parking solutions for areas which require short-term, temporary or indoor non-public cycle parking. We can supply Sheffield stands, toast racks, vertical and semi-vertical parking and lockers where and when required.



*Sheffield stands installed  
at Selhurst Station*

**ABELLIO GREATER ANGLIA**

Brandon - 10  
Bury St Edmunds - 20  
Cambridge - 90  
Colchester - 152  
Elsenham - 6  
Ely - 60  
Kennett - 8  
Norwich - 400  
Roydon - 20

**EAST MIDLANDS TRAINS**

Alsager - 10  
Aslockton - 4  
Boston - 20  
Bottesford - 4  
Derby - 32  
Etches Park - 10  
Hucknall - 20  
Hykeham - 8  
Kettering - 12  
Leicester - 40  
Lincoln - 20  
Market Harborough - 32  
Melton Mowbray - 8  
Metheringham - 12  
Newark Castle - 20  
Oakham - 10  
Skegness - 24  
Sleaford - 8  
Spalding - 20  
Sutton Parkway - 20  
Wellingborough - 20

**GREAT WESTERN RAILWAY**

Chippenham - 40  
Westbury - 68

**LONDON OVERGROUND**

Honor Oak - 24

**MERSEYRAIL**

Birkenhead Hamilton Square - 12  
Moorefields - 24

**NETWORK RAIL**

Liverpool Lime Street - 52

**NORTHERN RAIL**

Hartlepool - 4  
Millom - 20

**SOUTHEASTERN RAILWAY**

Dartford - 114  
Gravesend - 269

Sevenoaks - 194  
Shortlands - 16  
Tonbridge - 150

**SOUTHERN**

Angmering - 110  
Bexhill - 16  
Bishopstone - 10  
Brighton - 660  
Burgess Hill - 64  
Chichester - 216  
Crowborough - 24  
East Grinstead - 96  
Eastbourne - 208  
Emsworth - 16  
Epsom - 200  
Glynde - 20  
Hackbridge - 72  
Hampden Park - 52  
Hassocks - 48  
Horsham - 174  
Lewes - 100  
London Road Brighton - 10  
Merstham - 48  
Moulsecoomb - 20  
Norbury - 12  
Peckham Rye - 62  
Polegate - 40  
Portslade - 20  
Redhill - 144  
Reigate - 24  
Sanderstead - 44  
Seaford - 20  
Selhurst - 40  
Sutton - 104  
Three Bridges - 192  
Uckfield - 34  
Worthing - 44

**SOUTH WEST TRAINS**

Addlestone - 24  
Axminster - 36  
Bookham - 64  
Bournemouth - 60  
Brockenhurst - 96  
Brookwood - 102  
Chertsey - 16  
Chiswick - 12  
Christchurch - 24  
Clapham Junction - 132  
Claygate - 48  
Cobham & Stoke d'Abernon - 40  
Cosham - 24  
Eastleigh - 88  
Egham - 48  
Esher - 88  
Ewell West - 110

Fareham - 188  
Farnborough - 180  
Farnham - 36  
Feltham - 88  
Fleet - 230  
Fratton - 40  
Fulwell - 32  
Godalming - 48  
Guildford - 348  
Hampton - 72  
Haslemere - 280  
Hersham - 20  
Horsley - 52  
Hounslow - 24  
Isleworth - 24  
Liphook - 48  
London Rd Guildford - 48  
Milford - 40  
Oxshott - 96  
Petersfield - 112  
Poole - 68  
Portsmouth & Southsea - 92  
Richmond - 72  
Southampton Airport Parkway - 100  
Staines - 72  
Surbiton - 256  
Swanwick - 96  
Teddington - 128  
Tolworth - 10  
Walton on Thames - 140  
Waterloo - 330  
West Byfleet - 96  
Weybridge S - 12  
Whitton - 32  
Winchester - 164  
Witley - 12  
Woking - 466  
Wokingham - 76  
Woolston - 16  
Worcester Park - 52

**TFGM**

Various Stations - 106

**TRANSPENNINE EXPRESS**

Grimsby - 54

**VIRGIN TRAINS**

Runcorn - 16

**TOTAL SPACES INSTALLED - 10,535**



# WHAT OUR CUSTOMERS SAY:

*"After using Cyclepods for the first time I was very impressed with their professional way of working, the installation from the start to completion was seamless."*

**PAUL BEST - PROJECT MANAGER - SOUTHERN RAIL**

*"Cyclepods products ideally tackle the issues of providing an stylish space solution that is also cost-effective and maintenance free."*

**DAVID SMITH - ARCHITECT - PATIENCE AND HIGHMORE ARCHITECTS**

*"The 200 Spacepods are popular with our staff and are well used on a daily basis. They are practical, easy to use and their design allows for a number of racks in a limited space."*

**KATE PEMBERTON - WORKPLACE MANAGER - KPMG HEAD OFFICE, LONDON**

*"We installed the Streetpods at our school a few months ago and they have been really great. We have found them very secure and the overhead cover keeps the bikes dry. We have lots of different bikes here - mountain bikes, road bikes and electric bikes and they hold all of them!"*

**PENNY WARREN - CYCLE CHAMPION - ST ANNS SPECIAL NEEDS SCHOOL, MERTON**

*"The pods are used regularly by both male and female cyclists who always speak positively about their function. They also provide a great visual message about sustainable travel within our organisation and are regular talking point amount the local community."*

**FIONA DALY - ENVIRONMENTAL MANAGER - ST BARTS AND THE LONDON HOSPITAL**

*"Spacepods are an elegant, environmentally friendly and extremely efficient solution where space is limited. We have installed 189 Spacepods at our new London HQ and they are proving extremely popular with staff."*

**LUKE DODD - DIRECTOR OF FACILITIES - GUARDIAN NEWS AND MEDIA**

**CYCLEPODS LTD  
2 BETSOMS BARN  
PILGRIMS WAY  
WESTERHAM  
KENT  
TN16 2DS**