



YOUR
ENTRY
EXPERTS.

LOW LEVEL SECURITY



WINGLOCK 900.

THE INDEPENDENT WIDE ACCESS GATE

This wide lane access gate provides the perfect solution to maintaining security levels and providing comfortable access for the disabled and for large deliveries needing to enter a secured area. The balance between good design and security is met with this integration-friendly, frameless, glass wing design. The elegance of this security entrance is further balanced with a solid and robust construction.



OVERVIEW

With almost all buildings in the public and private environment, the entrance has to be accessible to everyone. At the same time, buildings are incorporating barriers into their lobbies and reception areas to help them manage access control to restricted areas. Wide lane solutions, such as access gates are the answer - providing easy disabled access, wheelchair accessibility and allowing large objects such as goods deliveries to pass through an entrance. The Winglock 900 can be used as a stand-alone entrance solution, or in combination with the Speedlane 300 series of speed gates.

Its user-friendly interface allows for each solution to be operated separately or all at the same time. Moreover, the BoonTouch will show any alarm situation at the lane directly at the reception or security desk.

KEY FEATURES

- Robust design and construction
- Frameless, strong glass panel
- Bi-directional
- External control panel integration
- Tamper and vandal resistant
- Smooth swinging-motion glass wings
- Emergency egress (lock and motor disengage allowing free passage)
- Premium quality materials

LOW FOOTPRINT HIGH EFFICIENCY

The Winglock 900 wide lane access gate is designed to beautifully coordinate with any Boon Edam speed gate or tripod turnstile. The light and low footprint provide an efficient and seamless flow of people and large delivery goods with ease and peace of mind.

THE POWER OF ACCESS CONTROL

This access gate can easily be added to your configuration and incorporated into our universal control panel – the BoonTouch. This remote control panel can cope with any combination of up to 6 security access solutions and is compatible with most of the solutions in our product range.

KEY BENEFITS

- Can be deployed on plinths or within the flooring
- Low carbon footprint – economical
- Wide passage for disabled access and goods delivery
- Integrates with access control systems
- Easy to clean and hygienic
- Uncomplicated to operate

SUGGESTED SEGMENTS

- Public buildings (museums, theatres, cinemas)
- Commercial buildings
- Corporate offices
- Education (universities, high school)
- Government buildings (municipality)
- Banks

SCALABLE FLEXIBILITY IS THE FUTURE

The ability to integrate a large variety of secondary security technology into our access gates is the ideal way in which to fine-tune by 'Leveling Up' their entrance security when increased protection is required.

Meeting your security goal easily and within your budget is the reason why we work together with you to ensure that by using these options, you end up with a product that outperforms the others safely, beautifully and profitably.



PUTTING THE POWER BACK IN YOUR HANDS

One size does not fit all, and that is why we at Boon Edam believe in offering modular solutions. This approach allows the security professional to design a tailored entrance solution that balances security and safety with aesthetics.

The result is a unique entrance that fits the needs of each industry, application and individual company. To get started, choose from an array of quality standard options. Then, 'Level Up' where it matters most to your company – whether that be in terms of throughput, security, safety, aesthetics, technology or user comfort – or a combination of each. A modular solution approach truly puts the power back into your hands - the power to create a refined entry with ease.

You can level up in any of these categories:

- THROUGHPUT
- SECURITY
- SAFETY
- AESTHETICS
- TECHNOLOGY
- COMFORT
- SERVICE


LEVEL UP

If our standard specifications do not quite suit your needs, we open up opportunities for you to 'Level Up' where it counts most. You can also do this according to your most motivating value driver:

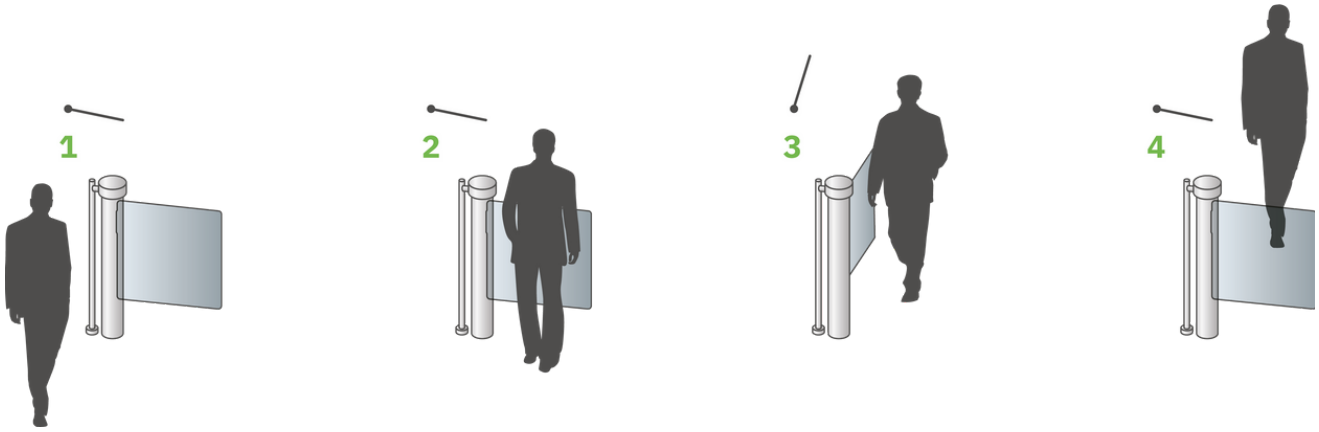
The specification table shows you our standard product options, and to the right of these, you can easily see, and consider, any compatible 'Level Up' options for fine-tuning the Winglock 900.



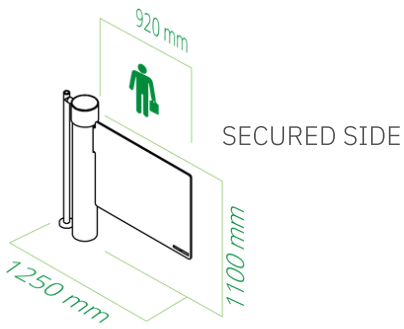
TECHNICAL SPECIFICATIONS

 THROUGHPUT	STANDARD	LEVEL UP OPTIONS
Throughput	30 People per minute	
Post Width	185 mm	
Post Height	1100 mm	
Overall Width	1250 mm	
Passage Width	990 mm	
Number of Wings	1	
Wing Width x Height	920 mm x 1000 mm	
 SECURITY	STANDARD	LEVEL UP OPTIONS
Unauthorised User Detection	-	
Booking Signal	-	
Sound Alarm	-	
Tailgating Detection	-	
 SAFETY	STANDARD	LEVEL UP OPTIONS
Fail Safe Operation	Lock will disengage in the event of a power failure	
Fire Alarm Connection	Emergency egress settings depending on local regulations and or customer request	
Emergency Opening	Wing will open 90°	
 AESTHETICS	STANDARD	LEVEL UP OPTIONS
Wing Material	10 mm tempered glass	
Cabinet Material	Stainless steel	Other Colours: On special request Branding: On special request
 TECHNOLOGY	STANDARD	LEVEL UP OPTIONS
Power Supply	100 - 240VAC, 24VDC	INTEGRATION OPPORTUNITIES:
Operating Power	65W	<ul style="list-style-type: none"> BoonTouch External Control Panel (up to 6 lanes) The Lifeline Boost
Operating Temperature	-20°C to +50°C	
Weight	60 kg	
Access Control Systems	Dry contacts for virtually any access control device	
Card Reader Mount	-	Access Control System Pedestal
 COMFORT	STANDARD	LEVEL UP OPTIONS
Disabled Access	The standard passage width allows for disabled access	
Stand-by Power Consumption	Stationary 9W	

6 WORKING PRINCIPLE

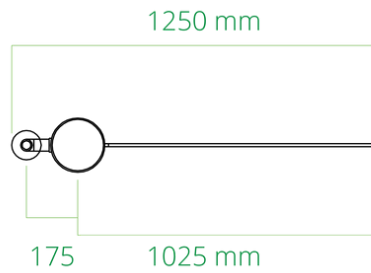


TECHNICAL DIMENSIONS

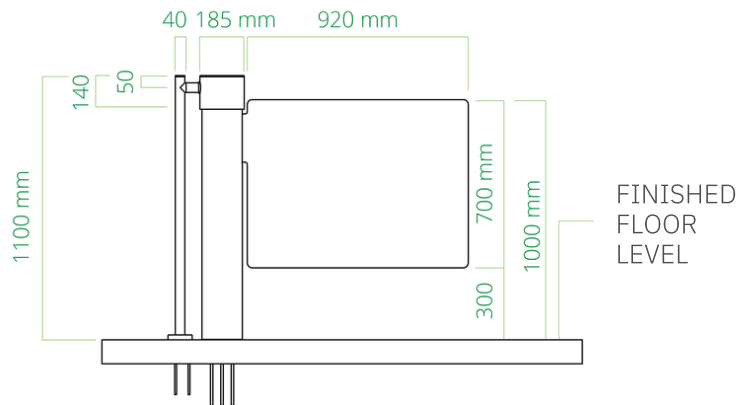


NON- SECURE SIDE

SECURED SIDE



NON- SECURE SIDE





SERVICE AND MAINTENANCE

With hundreds or thousands of visitors passing through an entry every day, continued and reliable operation is vital. Regular service and maintenance can prevent unexpected hardware breakdowns. Boon Edam's service and maintenance teams across the world are experienced in the effects the local conditions have on the wear and tear of your entry solutions and can offer specialised service and maintenance contracts that correspond to those conditions perfectly.

COMPLIANCE

The goal of an organisation is to safeguard the valuable assets inside – both people and property. As is often the case, industries must comply with relevant local and global laws, policies and regulations, to achieve the important goal of overall safety and security. Failure to meet the appropriate measures and criteria set out in these regulations could result in catastrophic incidents and substantial fines.

Boon Edam security entrances are trusted solutions that allow organisations to meet compliance regulations related to restricting access to areas within a building. We take compliance and safety very seriously and ensure that our products are manufactured, installed and maintained to keep up the strict criteria required in all our countries. We are always improving and always committed to making sure our products are compliant and certified. More information can be found on our website under 'About Us'.



OUR REACH IS GLOBAL.

We have been in business for more than 140 years manufacturing premium aesthetic and security entrance solutions in the Netherlands, United States of America and China. We can confidently say that we cover every corner of the globe with subsidiary companies in major cities across the globe. Furthermore our global export division not only partner with our distributors, but also offer direct sales and service to every territory. This wide net allows us to have a strong global footprint as well as a personal grasp of local markets and their unique entry requirements.

To find your closest Boon Edam expert, please go to:
www.boonedam.co.uk/contact



Boon Edam Limited.
T 01233 505 900
E uk.sales@boonedam.com
I www.boonedam.co.uk


BOON EDAM
YOUR **ENTRY** EXPERTS.