



**BOON EDAM**  
YOUR **ENTRY** EXPERTS.



# TOURNIKET.

THE **AUTOMATIC OR MANUAL** ORIGINAL REVOLVING DOOR



**CLICKABLE.**

Make the most of your experience within this brochure, and hover your mouse over words and pictures to get deeper insights and inspiration. (pdf version only)

**OVERVIEW**

The Tourniket is our most versatile revolving door that can be fully customised to reflect your building’s design and functionality. It is available with three or four door wings, with manual or automatic operation and in virtually any colour or finish you can think of.

The Tourniket is also available with a door set that can automatically fold open when the disabled access button is pushed. This feature allows easy, unhindered disabled access even in small diameter doors.

**A SUSTAINABLE SOLUTION**

Revolving doors are the most energy-efficient entrance solutions available today. The always open, always closed principle of a revolving door ensures that the conditioned inside air and the unconditioned outside air remain separated, preventing draught, dust and noise from coming into the building. As less energy is required to maintain the conditioned climate inside the building, revolving doors help reduce the carbon footprint of a building and save both energy and cost.

The same effect can be reached by installing a draught lobby but for draught lobbies with conventional sliding or swinging doors to be truly effective, the entrance and exit doors of the lobby can never be open at the same time. This means that users are often required to wait in the draught lobby for the next door to open, causing frustration and a feeling of being unwelcome. The advantage of revolving doors is that they save energy while facilitating a continuous flow of people.

**SAFETY AND SECURITY ARE IMPORTANT**

Security in an entry has two different aspects: the security of the building and the safety of its users. The Tourniket complies with the strictest safety regulations.

Safety Sensors in the door wings and in the frame ensure that the door responds to users and objects, minimising, or even preventing, impact with the user. The door behaviour can be customised to suit your building’s requirements. Such requirements could be based on your priority for safety or throughput taking into account various user groups ranging from professionally trained users to locations where people with special needs form a large part of the user profile such as children and elderly people.

**We offer the following additional safety measures:**

- Accessibility buttons
- Visual signage on the door wings and curved walls to ensure the accessibility of our doors for all user groups.
- CE plus package

The front entrance to a public building, such as a hotel, office building, condominium, or municipal building should also include security options. Whether there is an unwanted guest immediately outside the door, or the facility manager is locking up for the night, revolving door security options allow for an added layer of protection.

**We offer the following additional security measures:**

- RC3 Burglar protection package
- Automated or manual locking options
- External or internal night-locking doors
- Security lockdown
- Remote locking
- Access control options

## ESCAPE ROUTE

The escape route is one of the main issues when considering the main entrance to a building. The Tourniket is available with an option of a collapsible door set on both the three and four-wing models.

If equipped with a collapsible door set, the Tourniket can be installed in an escape route. In case of an emergency, the door set will unlock and the door wings can be folded together to create an open passageway. Please note that the minimum passage widths are subject to local regulations and building specifications.

## ACCESSIBILITY

Some of the larger 3-wing versions of the Tourniket cater for disabled access. Alternatively, the Autofolding Tourniket is designed specifically for those situations where disabled access is required in a small lobby or entry. It is available in diameters starting from 2800 mm. What makes the Autofolding Tourniket unique is the door set that can fold itself automatically to create a completely free passage for wheelchairs and trolleys.

## KEY FEATURES

- 3 or 4-Wing configuration
- Manual, semi-automatic or fully automatic operation
- Low energy assisting and positioning
- Speed control
- Large selection of dimensions
- Rigid, collapsible or automatic folding door set

## PUT YOUR STAMP ON IT

The Tourniket is available in a variety of finish and colour options. In many buildings a powder-coated aluminium version is chosen which can be finished in virtually any colour, ranging from traditional RAL colours to the deep-matt finishes resembling anodizing, yet in an eco-friendly manner. The wooden Tourniket takes you back to the early history of the revolving door and gives a classic retro look while a stainless steel or mirror finished look can create a modern or even futuristic look. This door is a particular favourite of ours.

Our revolving doors are available in a wide variety of heights and widths with different canopy heights and heights under canopy, ensuring that many design wishes can be solved with one of our standardised products. If your design falls outside the options that are available, our sales managers and engineers will work with you to create a safe and sustainable entrance that meets all requirements.

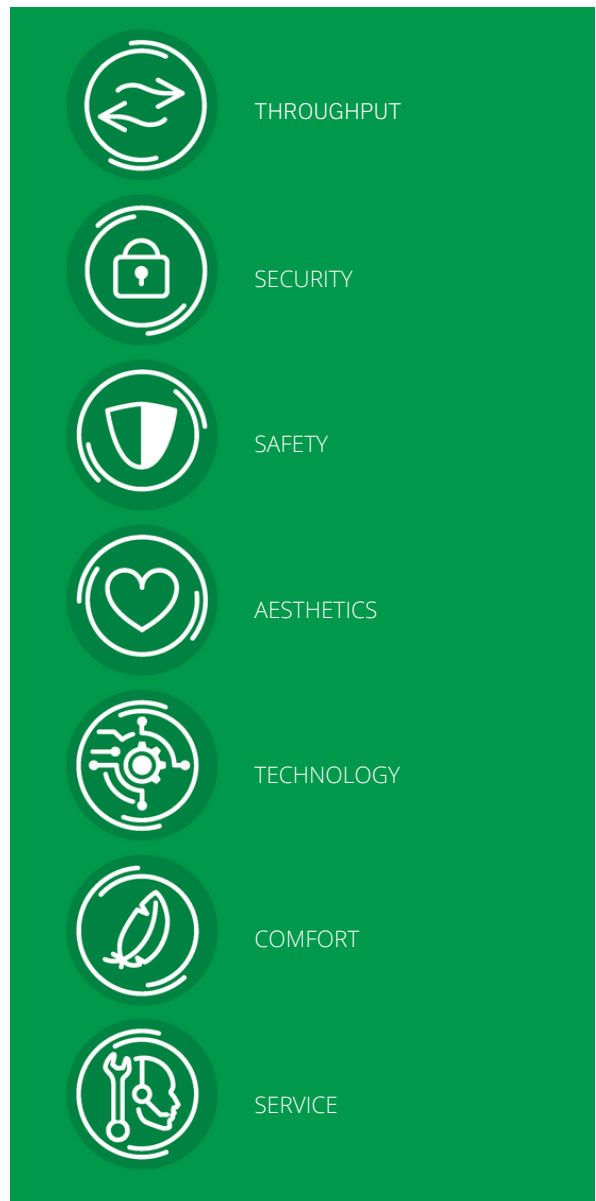
## KEY BENEFITS

- Handles low to moderate throughput
- Access for all (easy, convenient disabled support)
- Automatic operation for touchless entry
- Sustainable and energy-saving
- Reduced air infiltration
- Good ROI
- Highly customisable (extend your brand)

## SUGGESTED SEGMENTS

- Corporate
- Governmental
- Retail
- Restaurants and hospitality
- Airports
- Hospitals
- Hotels

**You can level up in any of these categories:**



# LEVEL UP



If our standard specifications do not quite suit your needs, we open up opportunities for you to 'Level Up' where it counts most. You can also do this according to your most motivating value driver:

The specification table shows you our standard product options, and to the right of these, you can easily see, and consider, any compatible 'Level Up' options for fine-tuning the Tourniket.



A: 4-Wing rigid model (most popular)  
B: 3-Wing rigid model

## TECHNICAL SPECIFICATIONS



### THROUGHPUT

#### MOST POPULAR

#### VARIATIONS

|                         |                          |  |
|-------------------------|--------------------------|--|
| Throughput              | 2 x 22 People per minute | 2 x 18 - 2 x 46 People per minute                            |
| Diameter                | 3000 mm                  | Available as standard in any diameter between 1600 - 3800 mm |
| Height Under Canopy     | 2200 mm                  | Available as standard between 2100 - 3600 mm                 |
| Canopy Height           | 300 mm                   | Available as standard between 200 - 1200 mm                  |
| Throat Opening          | 2036 mm                  | Available as standard between 695 - 2601 mm                  |
| Number of Doors / Wings | 4                        | 3  |



### SECURITY

#### MOST POPULAR

#### VARIATIONS

|                      |                                     |   |
|----------------------|-------------------------------------|---|
| Night-locking        | Manual-locking door set             | External or internal night-locking doors<br>automatic locking |
| Controllable Locking | -                                   | Security lockdown<br>Secured access out-of-hours              |
| Protection Level     | Vandal resistant safety glass (P2A) | RC3 Burglar protection package                                |



### SAFETY

#### MOST POPULAR

#### VARIATIONS

|                 |  |  |
|-----------------|--|--|
| Safety Packages | CE Basic                                     | CE Plus / DIN 18650 / UKCA / ANSI / Chinese standard |
| Drive Unit      | Drive with speed control and block detection | BoonAssist (low-energy drive) with speed control     |
| Escape Route    | -  | Collapsible door set with activation button          |
| Fire Alarm      | Connection prepared in control system        | -  |



### AESTHETICS

#### MOST POPULAR

#### VARIATIONS

|                    |   |  |
|--------------------|---|--|
| Finish             | Powder coated aluminium                 | Anodic coated aluminium<br>Stainless steel cladding brushed / mirror |
| Glass              | Glass decals                            | Tinted and low iron glass options                                    |
| Canopy             | Extruded solid canopy                   | Glass roof 18 mm<br>Canopy cover material options                    |
| Ceiling            | Coordinated colour, material and finish | Alternative colour, material and finish                              |
| Door Handles       | -                                       | Vertical Ø40 mm  |
| Floor Mat and Trim | Floor mounted                           | Matwell trim<br>Floor mat  |



### TECHNOLOGY

#### MOST POPULAR

#### VARIATIONS

|              |                       |  |
|--------------|-----------------------|--|
| Drive        | Drive unit in canopy  | Manual operated<br>BoonAssist (low-energy drive)<br>Drive unit in or under floor |
| Door Control | Control panel on door | Control panel external<br>Door connected to BMS                                  |



### COMFORT

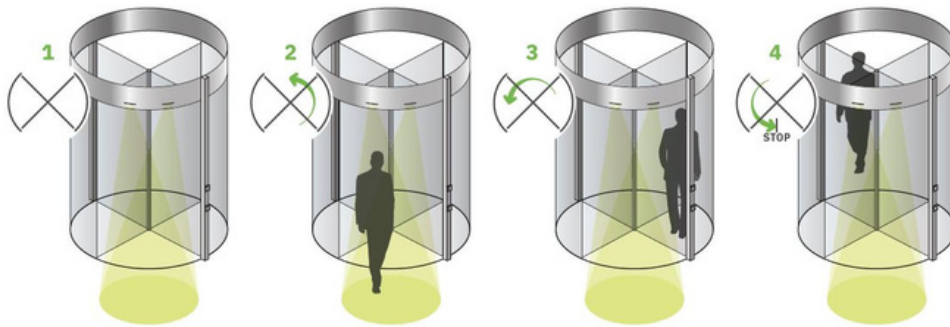
#### MOST POPULAR

#### VARIATIONS

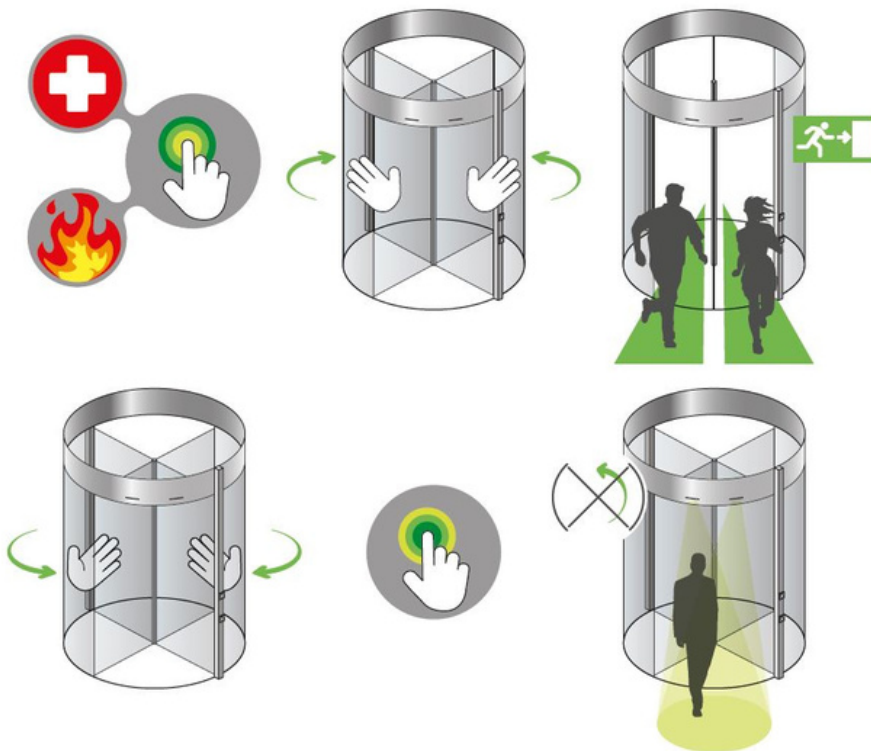
|                    |   |   |
|--------------------|---|---|
| Accessibility      | -   | Push-button temporary low speed<br>Autofolding door set for barrier friendly entrance |
| Lighting and Sound | LED's 4   | LED's 6 or custom LED's / lighting<br>Voice module                                    |
| Climate Control    | Genuine horse hair brushes with EPDM interlayer                 | Air curtain options   |
| Activation         | Direction-sensitive motion sensors<br>Welcome mode - idle speed | Push & Go<br>BoonAssist with assist and positioning<br>Convenient out-of-hours entry  |

For more variations, to suit your project even further, please contact your entry expert.

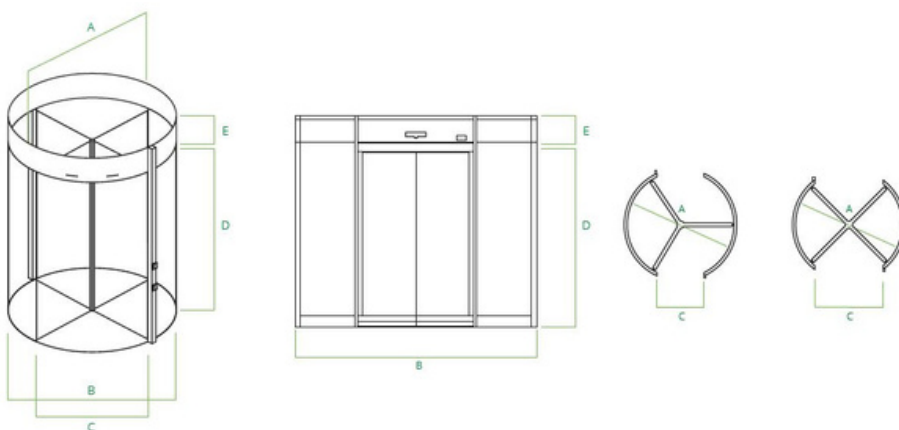
## 6 WORKING PRINCIPLE - STANDARD



## WORKING PRINCIPLE - COLLAPSIBLE DOOR SET



## TECHNICAL DIMENSIONS



- A. Diameter
- B. Installation Width (mm)
- C. Throat Opening (mm)
- D. Height Under Canopy (mm)
- E. Canopy Height (mm)



## SERVICE AND MAINTENANCE

With hundreds of thousands of visitors passing through an entry every day, continued and reliable operation is vital. Regular service and maintenance can prevent unexpected hardware breakdowns. Boon Edam's service and maintenance teams across the world are experienced in the effects the local conditions have on the wear and tear of your entry solutions and can offer specialised service and maintenance contracts that correspond to those conditions perfectly.

## COMPLIANCE

Boon Edam entrances are trusted solutions that allow organisations to meet compliance regulations related to restricting access to areas within a building. We take compliance and safety very seriously and ensure that our products are manufactured, installed and maintained to keep up with the strict criteria required in all our countries. We are always improving and committed to making sure our products are compliant and certified. More information can be found on our website under 'About Us'.

### The Tourniket complies with the following European standards:

- Machine Directive 2006/42/EC
- EMC Directive 2014/30/EC
- RoHS Directive 2011/65/EU
- EN16005 2012 - Safety in use - Requirements and test methods
- EN1627 – Burglar-resistant package
- EN356 – Glass specification



# OUR REACH IS GLOBAL.

---

We have been in business for 150 years, manufacturing premium aesthetic and security entrance solutions in The Netherlands, the United States of America and China. We can confidently say that we cover every corner of the globe with subsidiary companies in major cities across the globe. Furthermore our global export division not only partner with our distributors, but also offer direct sales and service to every territory. This wide net allows us to have a strong global footprint and a personal grasp of local markets and their unique entry requirements.

To find your closest Boon Edam expert, please go to:  
[www.boonedam.co.uk/contact](http://www.boonedam.co.uk/contact)



**Boon Edam Limited**  
T 01233 505 900  
E [uk.contact@boonedam.com](mailto:uk.contact@boonedam.com)  
I [www.boonedam.co.uk](http://www.boonedam.co.uk)

V1-2212

  
**BOON EDAM**  
YOUR ENTRY EXPERTS.