



BOON EDAM

YOUR
ENTRY
EXPERTS.

MEDIUM LEVEL SECURITY



SPEEDLANE 300.

THE **WINGED** SECURITY SPEED GATE

Unique in style, yet intuitive in use, the Speedlane 300 showcases curved angel wing glass barriers. This medium security speed gate comprises of two elliptical units which add to the overall aesthetics of this security gate. The most striking feature have to be the LED lights which are integrated within the glass barriers themselves, and change colour to assist the user during their journey through. The lights use the universally understood messaging of green for authorised and red for unauthorised. This is the ideal entry solution if you are looking for a welcoming, yet secure support for your security staff.





OVERVIEW

More down-to-earth than the Lifeline Speedlane series of speed gates, the Speedlane 300 is an elegant and stylish secured entry solution. It comprises of oval-shaped stainless steel cabinets with distinctive angel wing door wings that retract fully into the cabinet to allow access to authorised users. The shape of the door wings gives this speed gate a distinctive look which is accentuated by the LED lights that are incorporated within them, which give a premium user experience.

SIMPLE YET HIGHLY EFFECTIVE

Whereas the Lifeline series are high-end speed gates that meet the strict requirements of large corporate buildings, the Speedlane 300 is simpler, offering a strict level of security combined with beautiful design. This security entry solution can, therefore, be a support to the security guards and receptionists by keeping track of the visitors and staff entering a building, ensuring only authorised users can enter certain areas and offering effective anti-tailgating detection. This tastefully designed speed gate is well suited to applications where beautiful design and user-friendliness take preference.

ACCESS CONTROL AT YOUR FINGERTIPS

The Speedlane 300 has the 'Level Up' option of a universal access control panel known as BoonTouch. This technology allows remote operation and management of the secure entry point from a reception or security desk at the push of a button. This user-friendly interface allows each entry to be operated individually or simultaneously – as the situation demands and shows any security breach instantly.

KEY FEATURES

- Pivoting, shaped wings
- Unique glowing LED Light features within the wings themselves
- Lights indicate the status of the lane:
 - Green: during normal standby mode - the product is ready to use
 - Neutral: during authorised use
 - Red: when the door wings are closing or when unauthorised use is detected
- Emergency egress with a battery backup (wings are fully retracted into the unit to allow free passage and avoid malfunction or harm)
- Fail-safe (In case of a power failure, the lock and motor will disengage allowing the user to open the door wing manually. If a fire alarm system is connected to the product, the gate/s will open outward automatically in an alarm situation)
- Premium quality materials
- Compatible with BoonTouch Access Control Panel
- Additional flexible options available to fine-tune or 'Level Up' (see page 4/5)

KEY BENEFITS

- Houses a large range of card reader units
- Easily integrates with multiple access control systems
- Simultaneously welcome and secure
- Easy to clean
- Uncomplicated to operate

SUGGESTED SEGMENTS

- Corporate offices
- Multi-storey tenant buildings
- Medical and pharmaceutical facilities
- Transportation Hubs
- Schools, universities and colleges
- Sports facilities
- Government and embassy buildings

SCALABLE FLEXIBILITY IS THE FUTURE

The ability to integrate a large variety of secondary security technology into our speed gates is the ideal way in which to fine-tune by 'Levelling Up' their entrance security when increased protection is required.

Meeting your security goal easily and within your budget is the reason why we work together with you to ensure that by using these options, you end up with a product that outperforms the others safely, beautifully and profitably.



PUTTING THE POWER BACK IN YOUR HANDS

One size does not fit all, and that is why we at Boon Edam believe in offering modular solutions. This approach allows the security professional to design a tailored entrance solution that balances security and safety with aesthetics.

The result is a unique entrance that fits the needs of each industry, application and individual company. To get started, choose from an array of quality standard options. Then, 'Level Up' where it matters most to your company – whether that be in terms of throughput, security, safety, aesthetics, technology or user comfort – or a combination of each. A modular solution approach truly puts the power back into your hands - the power to create a refined entry with ease.

You can level up in any of these categories:

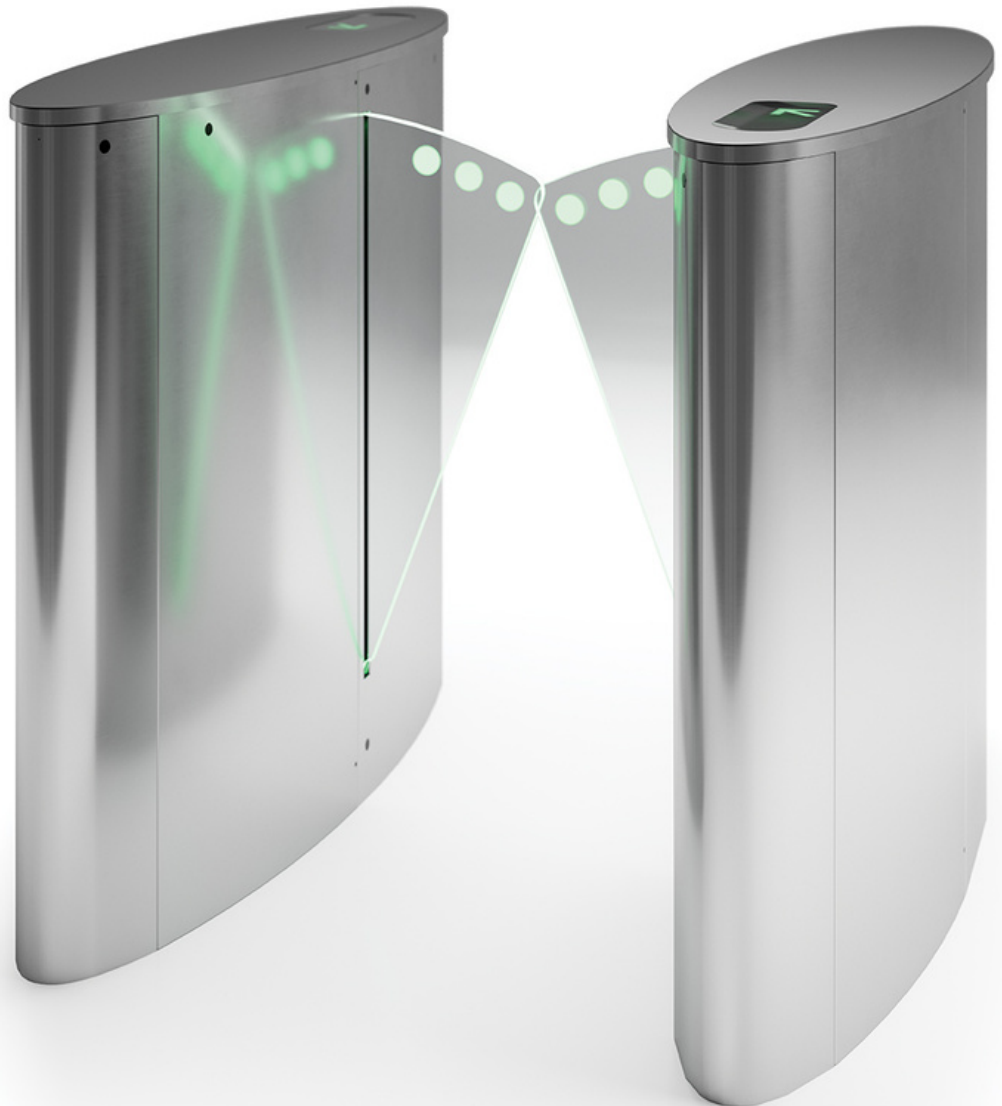
- THROUGHPUT
- SECURITY
- SAFETY
- AESTHETICS
- TECHNOLOGY
- COMFORT
- SERVICE

LEVEL UP



If our standard specifications do not quite suit your needs, we open up opportunities for you to 'Level Up' where it counts most. You can also do this according to your most motivating value driver.

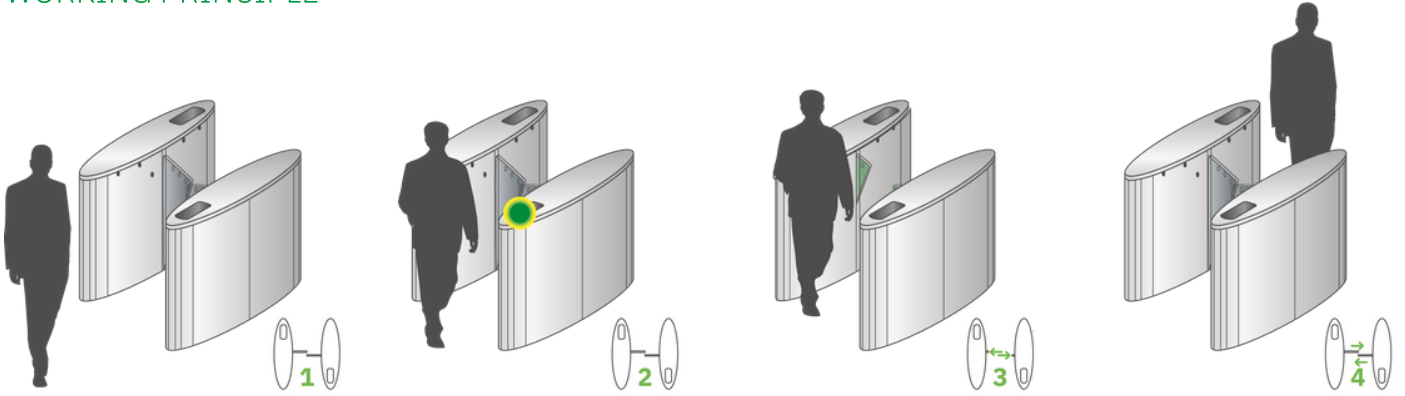
The specification table shows you our standard product options, and to the right of these, you can easily see, and consider, any compatible 'Level Up' options for fine-tuning the Speedlane 300.



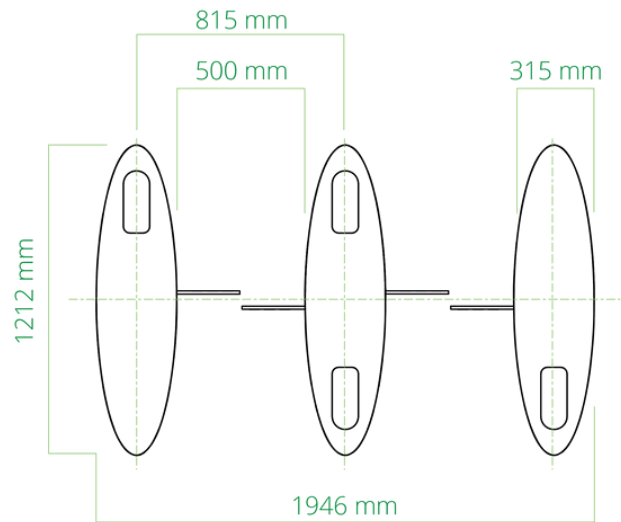
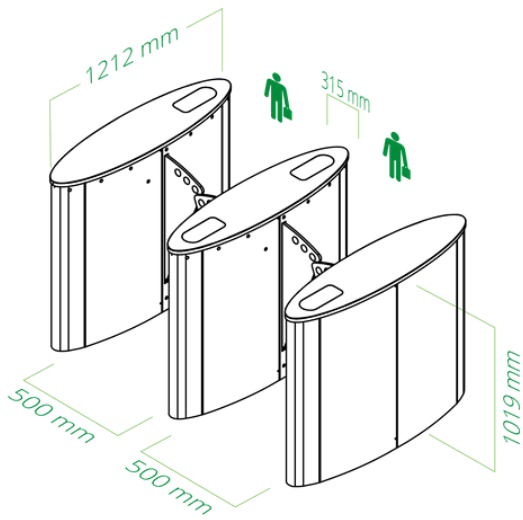
TECHNICAL SPECIFICATIONS

 THROUGHPUT	STANDARD	LEVEL UP OPTIONS
Throughput	25 - 30 People per minute	
Cabinet Width	315 mm	
Cabinet Height	1020 mm	
Cabinet Length	1212 mm	
Passage Width	500 mm	900 mm
Overall Lane Width	1130 mm (for a single lane)	1883 mm
Wing / Barrier Height	934 mm	
 SECURITY	STANDARD	LEVEL UP OPTIONS
Unauthorised User Detection	Standard sensor set	
Booking Signal	Adjustable booking signal	
Sound Alarm	Standard buzzer	
Tailgating Detection	Standard range	
 SAFETY	STANDARD	LEVEL UP OPTIONS
Fire Alarm Connection	Emergency egress settings depending on local regulations and or customer request	
 AESTHETICS	STANDARD	LEVEL UP OPTIONS
Cabinet Material	Stainless steel	
Cabinet Colour	Standard stainless steel	Other Colours: On special request
		Branding: On special request
 TECHNOLOGY	STANDARD	LEVEL UP OPTIONS
Power Supply	110-240 VAC, 50 / 60 Hz	INTEGRATION OPPORTUNITIES:
Operating Power	35W	<ul style="list-style-type: none"> BoonTouch External Control Panel (up to 6 lanes)
Operating Temperature	-15°C / +5°F to +50°C / +122°F	
Weight	200 Kg	
Access Control Systems	Dry contacts for virtually any access control device	
Card Reader Mount	Under the top of the cabinet	
 COMFORT	STANDARD	LEVEL UP OPTIONS
Disabled Access	Wide passage width option suitable for disabled access	Winglock Swing access gate Passage width 915 mm

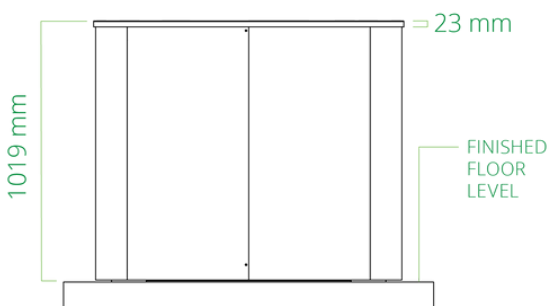
6 WORKING PRINCIPLE



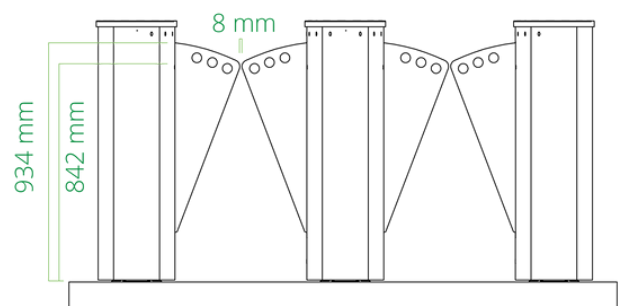
TECHNICAL DIMENSIONS



NON SECURED SIDE



SIDE VIEW



VIEW NON SECURED SIDE



SERVICE AND MAINTENANCE

With hundreds or thousands of visitors passing through an entry every day, continued and reliable operation is vital. Regular service and maintenance can prevent unexpected hardware breakdowns. Boon Edam's service and maintenance teams across the world are experienced in the effects the local conditions have on the wear and tear of your entry solutions and can offer specialised service and maintenance contracts that correspond to those conditions perfectly.

COMPLIANCE

The goal of an organisation is to safeguard the valuable assets inside – both people and property. As is often the case, industries must comply with relevant local and global laws, policies and regulations, to achieve the important goal of overall safety and security. Failure to meet the appropriate measures and criteria set out in these regulations could result in catastrophic incidents and substantial fines.

Boon Edam security entrances are trusted solutions that allow organisations to meet compliance regulations related to restricting access to areas within a building. We take compliance and safety very seriously and ensure that our products are manufactured, installed and maintained to keep up the strict criteria required in all our countries. We are always improving and always committed to making sure our products are compliant and certified. More information can be found on our website under 'About Us'.

The Speedlane 300 complies with the following European standards:

- Machine Directive (2006/42/EC)
- EMC Directive (2004/108/EC)
- RoHS Directive (2011/65/EU)



OUR REACH IS GLOBAL.

We have been in business for more than 140 years manufacturing premium aesthetic and security entrance solutions in the Netherlands, United States of America and China. We can confidently say that we cover every corner of the globe with subsidiary companies in major cities across the globe. Furthermore our global export division not only partner with our distributors, but also offer direct sales and service to every territory. This wide net allows us to have a strong global footprint as well as a personal grasp of local markets and their unique entry requirements.

To find your closest Boon Edam expert, please go to:
www.boonedam.co.uk/contact



Boon Edam Limited.
T 01233 505 900
E uk.sales@boonedam.com
I www.boonedam.co.uk


BOON EDAM
YOUR ENTRY EXPERTS.