



**BOON EDAM**  
YOUR **ENTRY** EXPERTS.



DATA SHEET

# LIFELINE SPEEDLANE SLIDE.

THE **SOLID** SECURITY LANE

## DIMENSIONS AND SPECIFICATIONS

Type	A Passage Width (mm)	Capacity / Minute*	# of Door Wings	Disabled Access	Type of Traffic	B Overall Width (mm)	C Door Wing Height (mm)	D Unit Height (mm)	E Unit Length (mm)
Standard	510	25-30	2	✗	🚶	1134	980	1035	1440
High	510	25-30	2	✗	🚶	1134	1200-1800	1035	1440
Wide	910	25-30	2	♿	🚶🛒	1934	980	1035	1440
High & Wide	910	25-30	2	♿	🚶🛒	1934	1200-1800	1035	1440

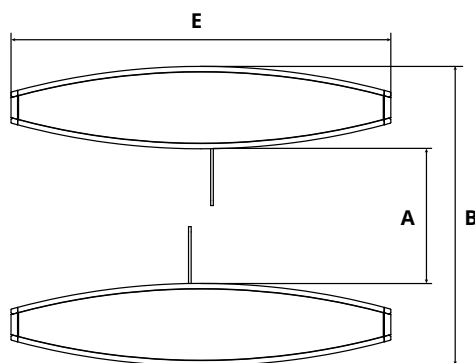
Turnstiles outside these dimensions are available on request. Please consult your Boon Edam representative

\* Depending on access control system, in one direction

### LIFELINE SPEEDLANE SLIDE

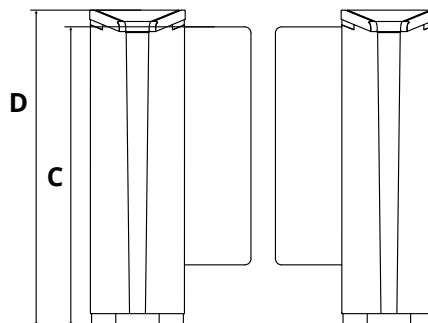
The Lifeline Speedlane Slide has been designed to the highest standards, ahead of industry trends:

- Using unique sensors which detect visitors approaching
- Sleep function to save energy
- Pulsing light strips to guide the user
- Intuitive and proven symbols to make it user friendly
- Ergonomic design for customer comfort
- Customisation possibilities in fitting with interior design
- Premium quality materials



### LEVEL UP OPTIONS

- Single lane or multiple lane set-up
- Jump over detection sensors
- Barrier-free mode
- Fail secure or fail-safe
- External control panel



### FINE-TUNE YOUR ENTRANCE

Whether you are making a statement, aligning with corporate branding, or creating a harmonious interior design, the Lifeline Speedlane Slide makes a statement. Choose from different sizes, materials and finishes, and glass to deliver high-end, high-tech, blend-in or stand-out entrances, fit for function and purpose.

### BOONTOUCH

The BoonTouch Remote Control Panel simplifies visitor management. Ideal for receptionists and security guards, it offers quick, easy, and secure visitor authorisation. Its user-friendly touchscreen enables authorised personnel to manage single or multiple security turnstiles with just a simple touch.

### EMERGENCY EGRESS

The Lifeline Speedlane Slide is equipped with an internal battery backup; in case of an emergency, the door wings will drive open position to create a free passage way.

### TECHNICAL SPECIFICATIONS

**Power Supply:** 110-240 VAC, 50/60 Hz

#### Power Consumption

**Operating:** 80W

**Stationary:** 60W

**Sleep Mode:** 40W

**Ambient Temperature:** -15°C to +50°C

**Weight:** 330 kg

# OUR REACH IS GLOBAL.

---

We have been in business for 150 years, manufacturing premium aesthetic and security entrance solutions in The Netherlands, the United States of America and China. We can confidently say that we cover every corner of the globe with subsidiary companies in major cities across the globe. Furthermore our global export division not only partner with our distributors, but also offer direct sales and service to every territory. This wide net allows us to have a strong global footprint and a personal grasp of local markets and their unique entry requirements.

To find your closest Boon Edam expert, please go to:  
[www.boonedam.co.uk/contact](http://www.boonedam.co.uk/contact)



**Boon Edam Limited**  
T 01233 505 900  
E [uk.contact@boonedam.com](mailto:uk.contact@boonedam.com)  
I [www.boonedam.co.uk](http://www.boonedam.co.uk)

V2-2401

  
**BOON EDAM**  
YOUR ENTRY EXPERTS.