



www.bohle-group.com

Aqua Shower Door Hinges

Aqua Shower Door Hinges

Bohle Aqua shower door fittings are the perfect alternative to all conventional shower door hinges. The aluminium profile system combines a simple and elegant design with all the technical standards of today: an infinitely adjustable zero position, a raising/lowering mechanism as well as a ± 6 mm vertical shim. In addition, the glass is bonded so no glass processing is required.

▶ Aqua Shower Door Hinges



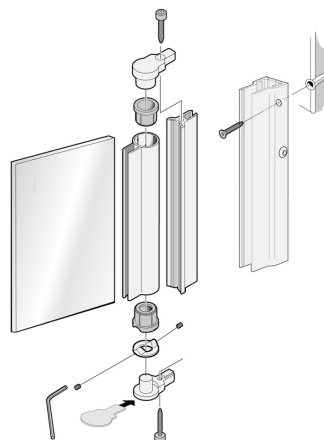
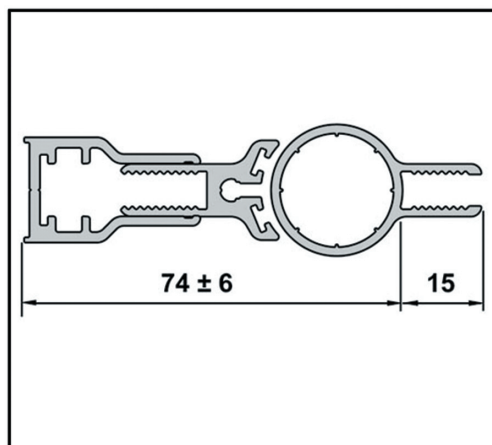
i Application glass/wall · Length can be trimmed to size 2200 mm
 · Hold position both sides 90 ° · Projection 800 mm · with Rise and fall mechanism · Zero position infinitely adjustable · Material Aluminium

Included in delivery:
 1x Wall Profile
 1x Intermediate profile with brush strips
 1x Glass profile
 1x Accessory set incl. end stops

Please note:

special profiles are also available as accessories for connecting to sidelights.

Art. No.	Glass thickness · Finish
BO 5200405	6 mm · anodised aluminium EV1
BO 5200406	6 mm · polished
BO 5200407	8 mm · anodised aluminium EV1
BO 5200408	8 mm · polished



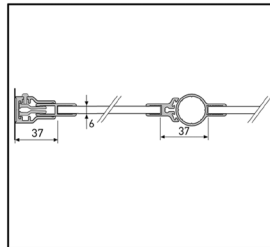
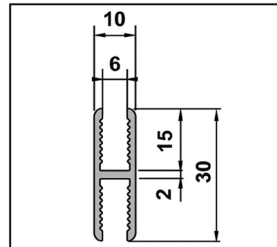
▶ Aqua Supplementary Set Fixed Sidelight for 6 mm



i Application glass/glass · Length can be trimmed to size 2200 mm · Material Aluminium

Included in delivery:
1x Wall connection adapter profile

Art. No.	Finish · suitable for
BO 5200409	anodised aluminium EV1 · BO 5200405
BO 5200410	polished · BO 5200406



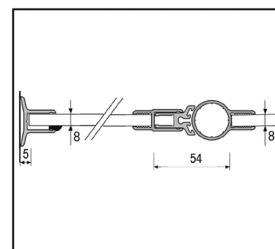
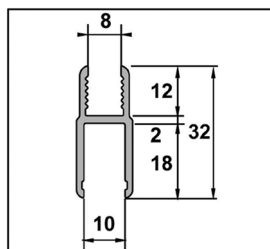
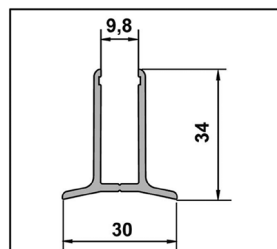
▶ Aqua Supplementary Set Fixed Sidelight for 8 mm



i Application glass/glass · Length can be trimmed to size 2200 mm · Material Aluminium

Included in delivery:
1x 8 mm wall connection profile
1x Rubber Profile
1x 8 mm adapter profile
1x Installation kit

Art. No.	Finish · suitable for
BO 5200416	anodised aluminium EV1 · BO 5200407
BO 5200417	polished · BO 5200408



▶ Aqua functional model



i Length 400 mm

Art. No.
BO 5200418

▶ Shower Doorknob Handle length 30 mm



Double-sided

❶ \varnothing 32 mm · Handle length 30 mm · Drill hole in glass \varnothing 10 mm · Glass thickness 6 - 10 mm · Packaging unit 1 set

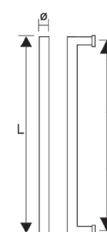
Art. No.	Finish · Material
BO 5213705	chrome-plated · brass
BO 5213706	stainless steel look · brass
BO 5213707	matt chrome-plated · brass
BO 5213708	chrome-plated · aluminium
BO 5213709	stainless steel look · aluminium
BO 5213710	matt chrome-plated · aluminium

▶ Shower Door Handle



Double-sided

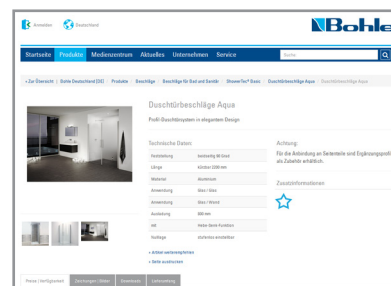
❶ \varnothing 19 mm · Drill hole in glass \varnothing 10 mm · Height 60 mm · Glass thickness 4 - 12 mm · Material stainless steel



Art. No.	L · C-C · Finish
BO 5212510	171 mm · 152 mm · matt polished
BO 5212511	171 mm · 152 mm · mirror polished
BO 5212514	222 mm · 203 mm · matt polished
BO 5212515	222 mm · 203 mm · mirror polished

Further information

You will find further information (drawings, instruction manuals, etc.) conveniently in our Online Shop at www.bohle-group.com.



www.bohle-group.com

Germany

Bohle AG
Dieselstraße 10
D - 42781 Haan

T +49 2129 5568-0
F +49 2129 5568-201

info@bohle.de

United Kingdom and Ireland

Bohle Ltd.
Fifth Avenue, Tameside Park
Dukinfield, Cheshire · SK16 4PP

T +44 161 3421100
Freephone: 0800 616151
F +44 161 3440111

info@bohle.ltd.uk

South Africa

Bohle Glass Equipment (Pty) Ltd.
Unit 3, Graphite Industrial Park
Fabriek Street
Strijdom Park 2125, Gauteng

T +27 11 792-6432
F +27 11 793-5634

info@bohle.co.za

USA

Bohle America, Inc.
10924 Granite Street
Suite 200
Charlotte, NC 28273

T +1 704 247 8400
F +1 704 247 8420

info@bohle-america.com