



## Standard Precast Concrete Headwalls





## Index

Althon Precast Concrete Headwalls Overview	03
H3C Headwall	04
H6C Headwall Range	05
H7C Headwall Range	06
H8C Headwall Range	07
H10C Headwall Range	08
AH10C Angled Headwall Range	09
H20C Headwall Range	10
H28C Headwall Range	11
CH20C Culvert Headwall Range	12
CH28C Culvert Headwall Range	13
H40C Headwall Range	14
H42C Headwall Range	15
H44C Headwall Range	16
H50 Headwall Range	17
Headwall Accessories	18 - 19
Ground Anchors and Gratings	20
Glass Reinforced Cement Headwalls	21
One Piece Heavy Duty Silt Trap Inlet	22
Two Piece Heavy Duty Silt Trap Inlet	23

## Althon Precast Concrete Headwalls

Althon Headwalls offer a cost effective alternative to in-situ structures for connecting pipework discharging into open watercourse. All drainage pipes discharging into open watercourse, such as swales, ditches, ponds and rivers should be fitted with a suitable headwall. These units help to protect and locate outfall pipes and to minimise erosion at the point of discharge. Althon headwalls can accommodate pipework with an internal diameter of up to and including 1650mm ID and PCC box culverts up to 2400mm wide x 1500mm deep. Multiple pipe outlets can also be accommodated.

Headwall units can be fitted with or supplied with a range of accessories such as flap valves, penstocks, grates, hand railing etc. See page 18 and 19 for details.

Wherever water is to be fed from an open watercourse into a pipe outlet, an Althon Silt Trap Inlet should be provided. The sloped grating minimises the risk of blockage from floating material, and silt will be collected by the silt chamber prior to the outfall pipe. Althon manufacture a range of Silt Trap Inlets to cater for pipework with an internal diameter of up to and including 1200mm.

Althon Headwalls and Silt Traps have been used on contracts requiring approval from organisations such as the Environment Agency, Local Authorities and the Highways Agency. Althon Headwalls and Silt Traps are quick and simple to install and reduce the need for skilled labour.

Please note when reviewing this information openings shown on illustrations for pipe entry are indicative only. See tables for maximum opening sizes.

If a Penstock or Flap Valve is to be fitted to the Headwall, the frame size will determine the maximum pipe diameter that can be accommodated - please contact the Althon Sales office for details.



Standard Precast Concrete Headwalls



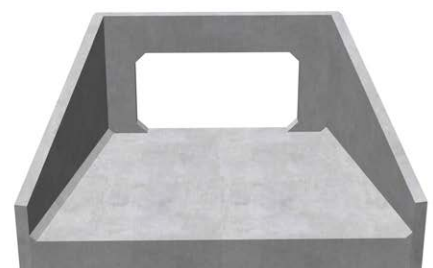
Sewers for Adoption Headwalls



Rectangular Precast Headwalls



Angled Precast Headwalls



Precast Headwalls for Culverts

## H3C Headwall Range

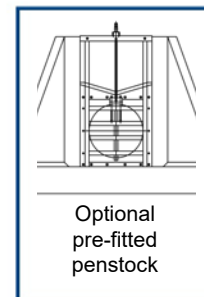
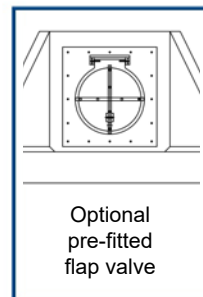
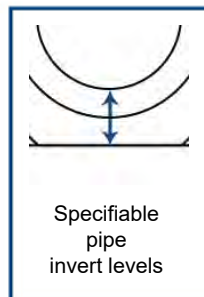
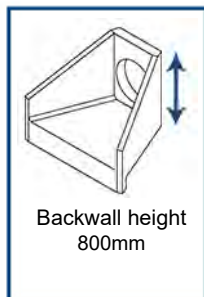
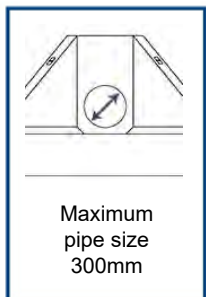
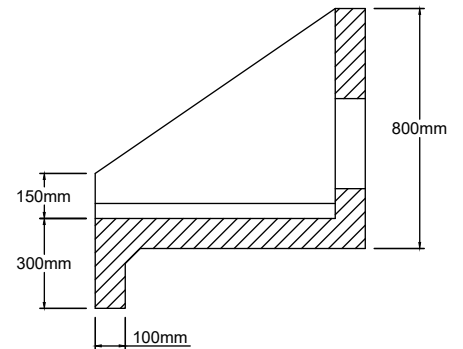
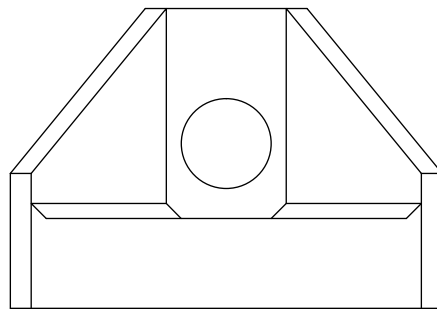
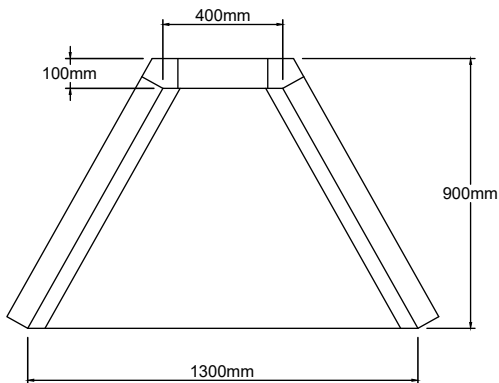
Up to 300mm Pipework  
Approximate weight 540kg

A one-piece reinforced concrete headwall to suit plastic or clayware pipes up to 300mm I.D or PCC pipes up to 225mm I.D. Stainless steel sockets are provided for the attachment of gratings. Lifting points are cast in to each wingwall for safe handling using Althon lifting clutches.

A toe extension piece is available for the H3C headwall giving an overall toe depth of 810mm from the splashplate.



Optional Kee Klamp handrail

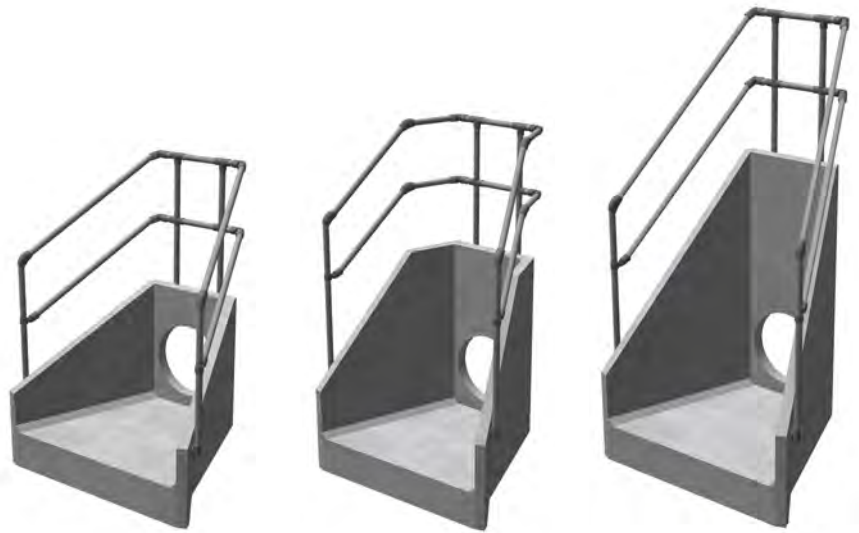


## H6C Headwall Range

Up to 600mm Pipework  
1100mm - 2050mm Backwall Height

A one-piece reinforced concrete headwall to suit plastic or clayware pipes up to 600mm I.D or PCC pipes up to 450mm I.D. Available with three standard backwall heights 1.1m, 1.55m and 2.05m with lifting points cast in to each wingwall for safe handling using Althon lifting clothes. Stainless steel sockets are provided for the attachment of gratings and special brackets are available for use with the anchorage system.

Toe extension piece are available for the H6C Headwall giving an overall toe depth of 710mm or 1015mm from the splashplate, see the althon website for details and drawings.



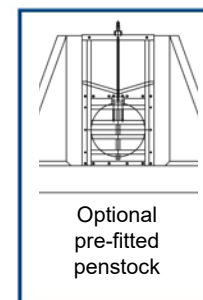
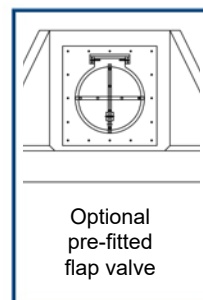
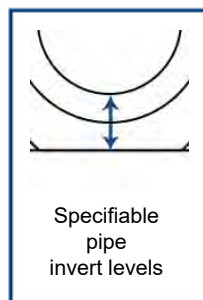
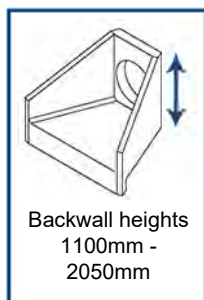
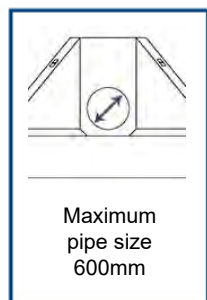
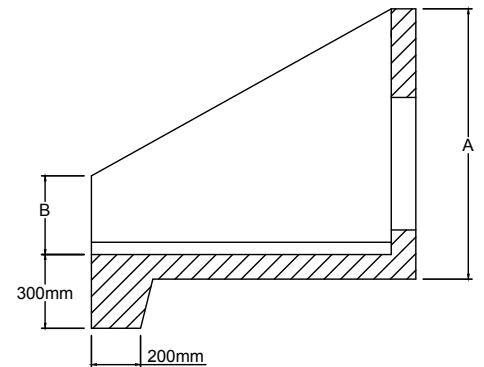
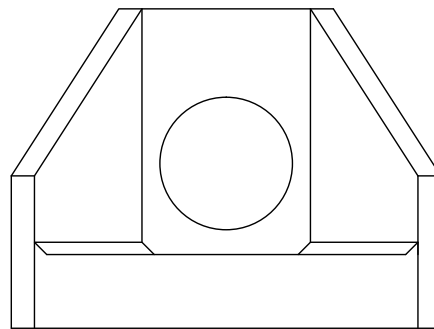
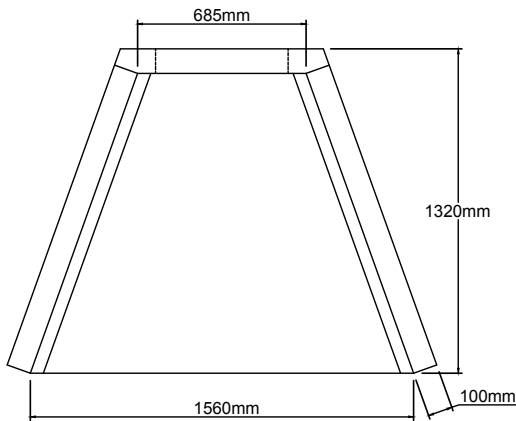
H6CA

H6CB

H6CC

Optional Kee Klamp handrail

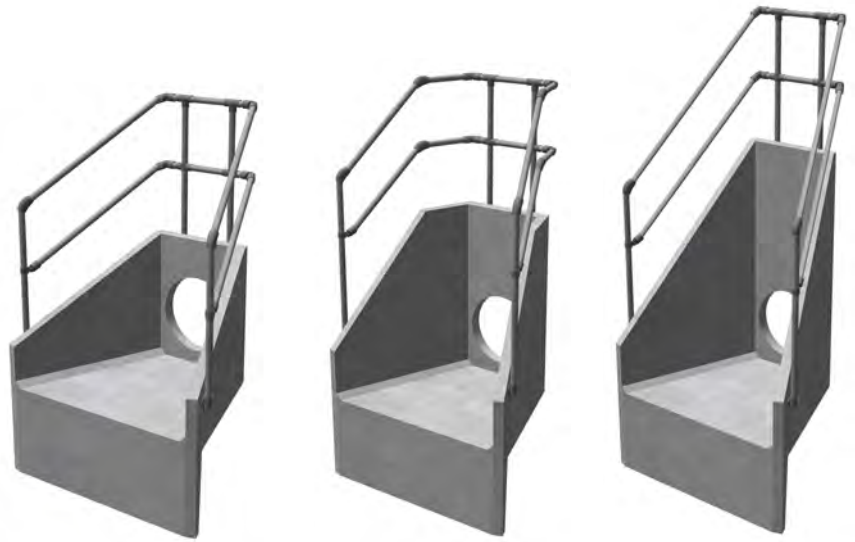
Headwall	Max Pipe Opening Plastic/C'ware	Max Pipe Opening PCC	A	B	Approx Weight kg
H6CA	600	450	1100	320	1150
H6CB	600	450	1550	410	1400
H6CC	600	450	2050	410	1650



## H7C Headwall Range

Up to 600mm Pipework  
1100mm - 2050mm Backwall Height

A one-piece reinforced concrete headwall to suit plastic or clayware pipes up to 600mm I.D or PCC pipes up to 450mm I.D. Available with three standard backwall heights 1.1m, 1.55m and 2.05m with lifting points cast in to each wingwall for safe handling using Althon lifting clothes. Stainless steel sockets are provided for the attachment of gratings and special brackets are available for use with the anchorage system.



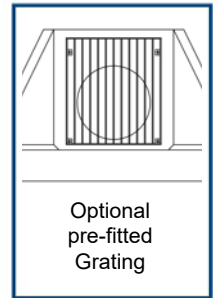
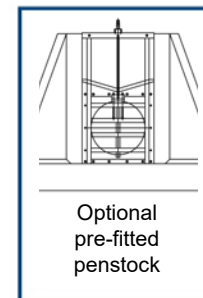
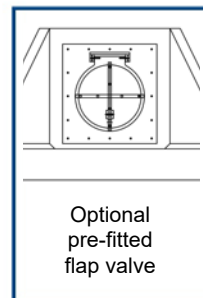
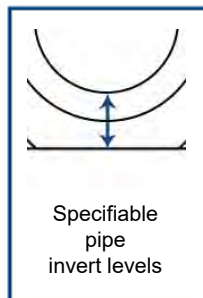
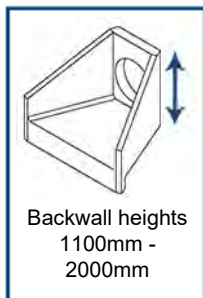
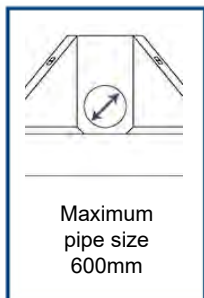
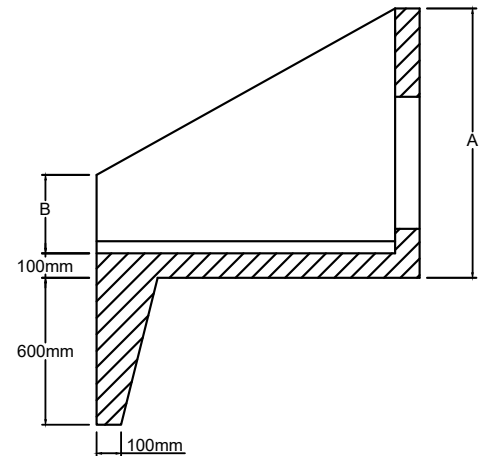
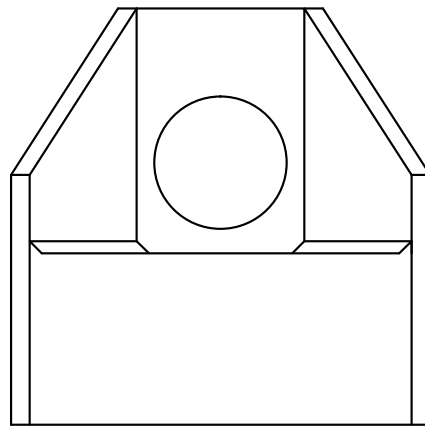
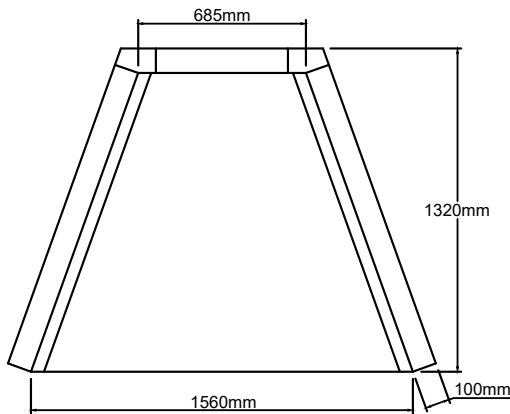
H7CA

H7CB

H7CC

Optional Kee Klamp handrail

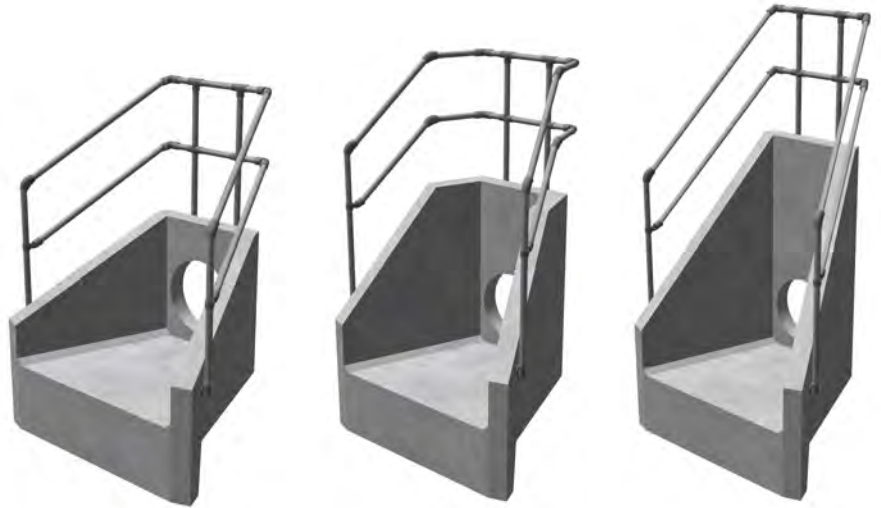
Headwall	Max Pipe Opening Plastic/C'ware	Max Pipe Opening PCC	A	B	Approx Weight kg
H7CA	600	450	1100	320	1375
H7CB	600	450	1550	410	1750
H7CC	600	450	2050	410	1900



## H8C Headwall Range

Up to 600mm Pipework  
1150mm - 2100mm Backwall Height

A one-piece reinforced concrete headwall to suit plastic or clayware pipes up to 600mm I.D or PCC pipes up to 450mm I.D. Available with three standard backwall heights 1.15m, 1.6m and 2.1m with lifting points cast in to each wingwall for safe handling using Althon lifting clothes. Stainless steel sockets are provided for the attachment of gratings and special brackets are available for use with the anchorage system.



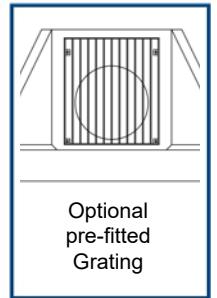
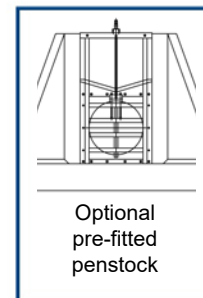
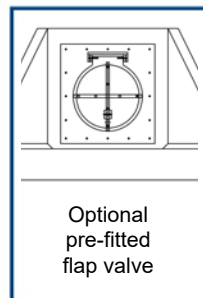
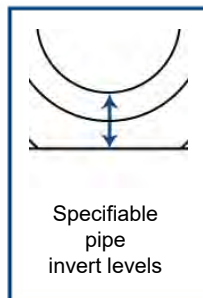
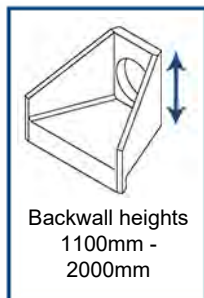
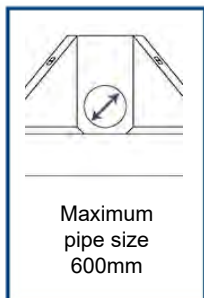
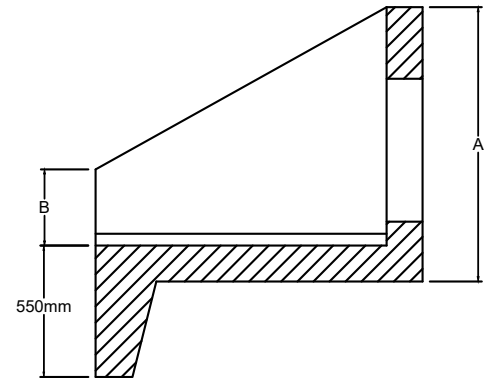
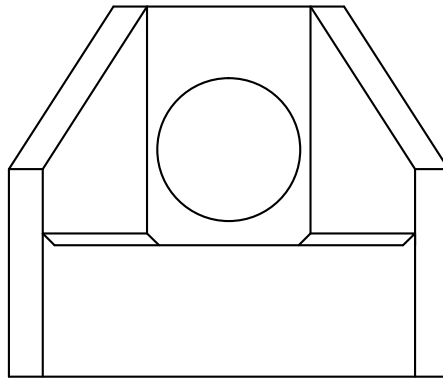
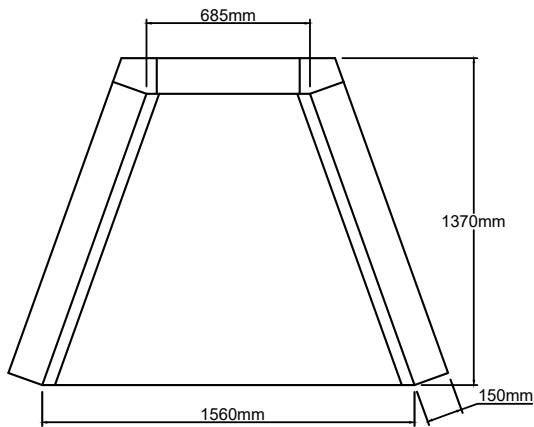
H8CA

H8CB

H8CC

Optional Kee Klamp handrail

Headwall	Max Pipe Opening Plastic/C'ware	Max Pipe Opening PCC	A	B	Approx Weight kg
H8CA	600	450	1150	320	2000
H8CB	600	450	1600	410	2500
H8CC	600	450	2100	410	2750





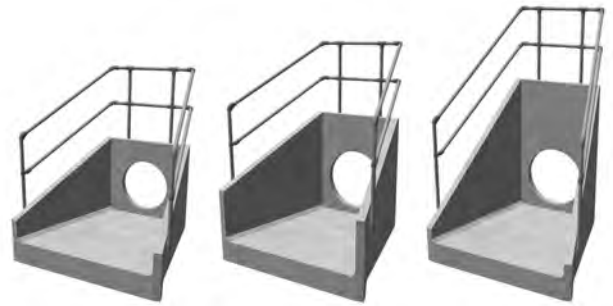
# H10C Headwall Range

Up to 900mm Pipework  
1250mm - 2130mm Backwall Height

A one-piece reinforced concrete headwall to suit plastic or clayware or PCC pipes up to 900mm I.D. Available with three standard backwall heights 1.25m, 1.65m and 2.13m with lifting points cast in to each wingwall for safe handling using Althon lifting clothes. A spreader bar is also recommended for safe handling.

The chains are threaded through this eliminating side load on the vertical lift. Stainless steel sockets are provided for the attachment of gratings and special brackets are available for use with the anchorage system.

Toe extension pieces are available for the H10C Headwall giving an overall toe depth of 710mm or 1015mm from the splashplate, see the Althon website for details and drawings.



H10CA

H10CB

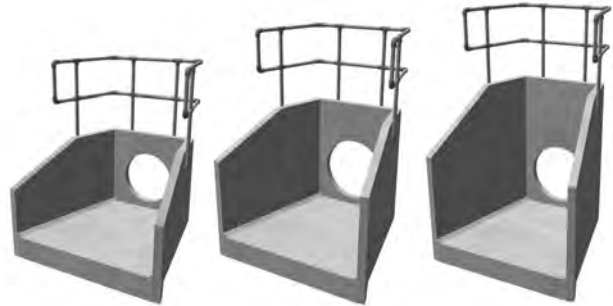
H10CC



H10CD

H10CE

H10CF

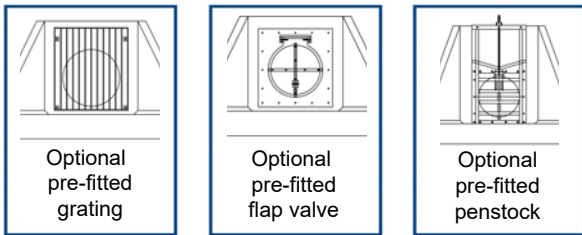
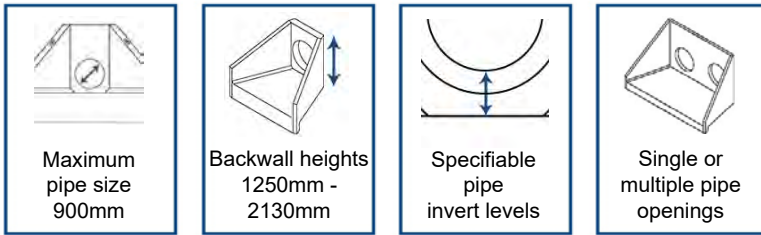


H10CG

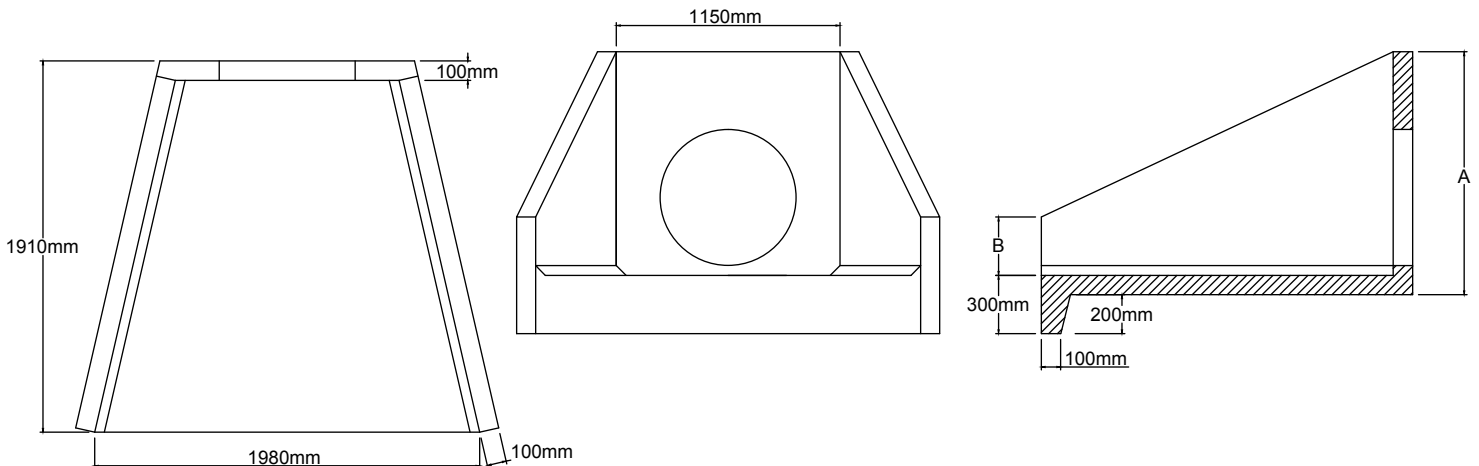
H10CH

H10CI

Optional Kee Klamp handrail



Headwall	Max Pipe Opening Plastic/C'ware	Max Pipe Opening PCC	A	B	Approx Weight kg
H10CA	750	750	1250	300	2000
H10CB	900	900	1650	700	2300
H10CC	900	900	2130	200	2500
H10CD	750	750	1250	1150	2480
H10CE	900	900	1650	1550	2980
H10CF	900	900	2130	2030	3480
H10CG	750	750	1250	652	2350
H10CH	900	900	1650	1052	2850
H10CI	900	900	2130	1532	3330





# AH10C Headwall Range

Up to 900mm Pipework  
1250mm - 2130mm Backwall Height



AH10C LH



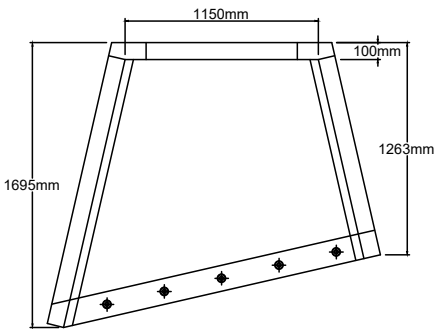
AH10C RH

Optional Kee Klamp handrail

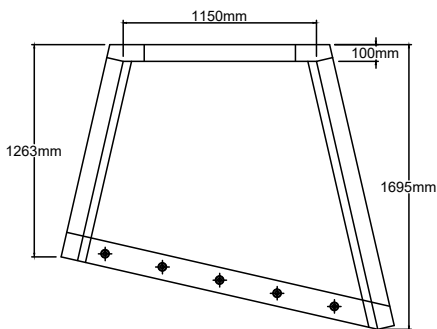
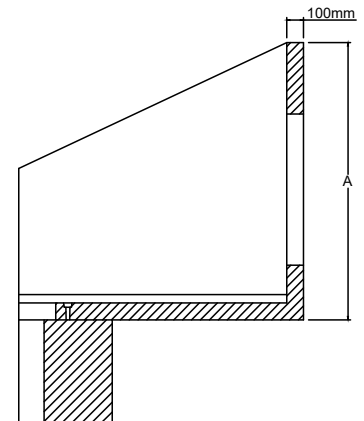
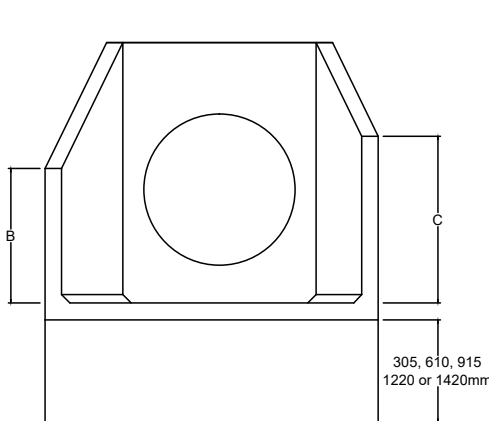
A one-piece reinforced concrete headwall to suit plastic of clayware or PCC pipes up to 900mm I.D. Available with three standard backwall heights 1.25m, 1.65m and 2.13m with lifting points cast in to each wingwall for safe handling using Althon lifting clutches. A spreader bar is also recommended for safe handling. The chains are threaded through this eliminating side load on the vertical lift. Stainless steel sockets are provided for the attachment of gratings and special brackets are available for use with the anchorage system.

These headwalls allow pipework entering a watercourse at an angle to be accommodated or for an outfall to be sited on a bend in a river. The toe is cast separately and is available in depths of 305, 610, 915, 1220 or 1420mm dependent on site conditions. The toe is fixed to the underside of the headwall with 5 stainless steel bolts which are fastened from the top and are hidden in a recess cast into the splash plate.

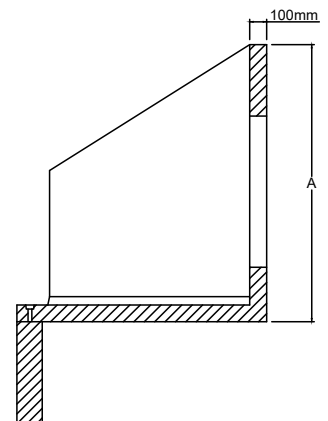
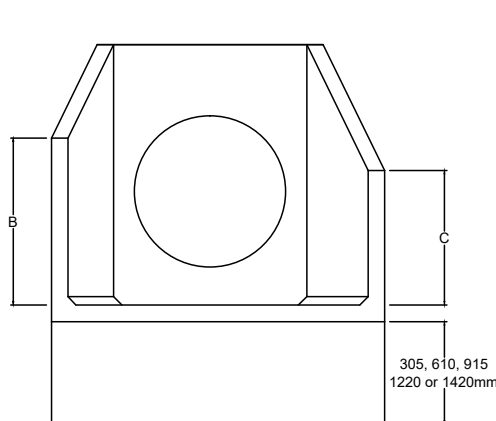
Headwall	Max Pipe Opening Plastic/C/ware	Max Pipe Opening PCC	A	B	C	Approx Weight kg	Weight with toe kg				
							305mm	610mm	915mm	1220mm	1420mm
AH10CA LH	900	750	1250	400	595	1800	2045	2290	2538	2780	2945
AH10CA RH	900	750	1250	595	400	1800	2045	2290	2538	2780	2945
AH10CB LH	900	900	1650	800	995	2100	2345	2590	2838	3080	3245
AH10CB RH	900	900	1650	995	800	2100	2345	2590	2838	3080	3245
AH10CC LH	900	900	2130	417	830	2300	2545	2790	3038	3280	3445
AH10CC RH	900	900	2130	830	417	2300	2545	2790	3038	3280	3445



AH10C LH



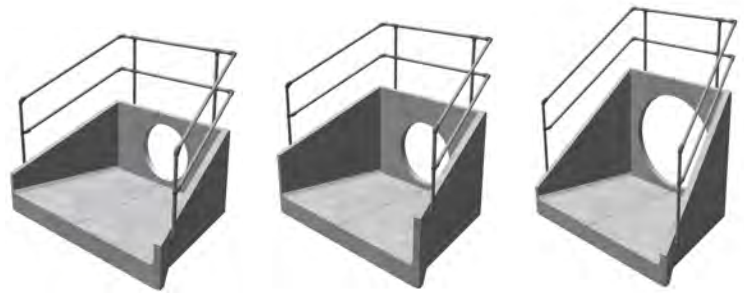
AH10C RH



## H20C Headwall Range

Up to 1650mm Pipework  
1250mm - 2130mm Backwall Height

This is a sectional structure with rebated joint, assembled on site around the drainage pipe and locked together by means of stainless steel cast-in sockets and brackets provided. The H20C Headwall is suitable for plastic or clayware pipes up to 1650mm ID or PCC pipes up to 1500mm ID. Available with three standard backwall heights 1.25m, 1.65m and 2.1m, with lifting points cast in to each wingwall for safe handling using Althon lifting clutches.



H20CA

H20CB

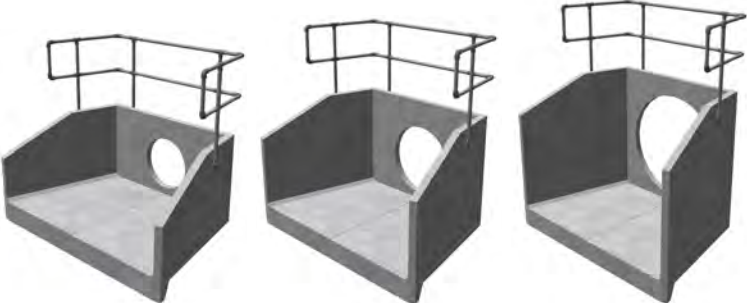
H20CC



H20CD

H20CE

H20CF



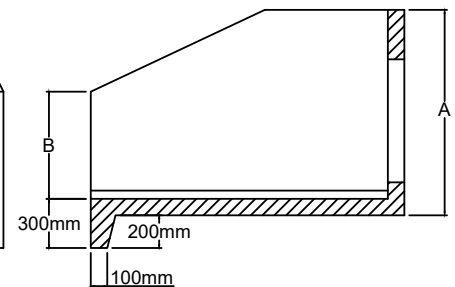
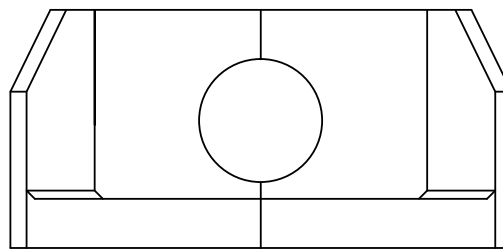
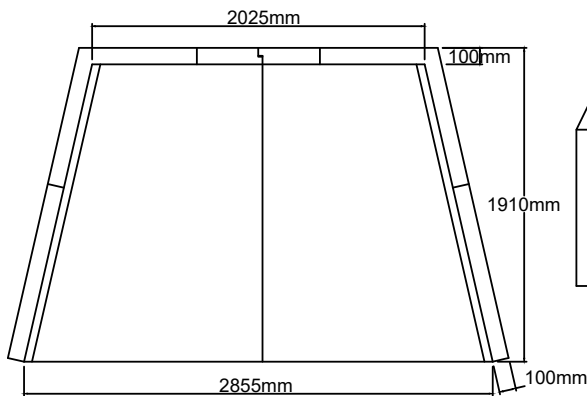
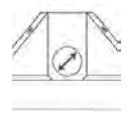
H20CG

H20CH

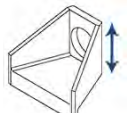
H20CI

Headwall	Max Pipe Opening Plastic/C'ware	Max Pipe Opening PCC	A	B	Approx Weight kg
H20CA	750	750	1250	300	2600
H20CB	1050	1050	1650	700	3200
H20CC	1650	1500	2130	200	3600
H20CD	750	750	1250	1150	3100
H20CE	1050	1050	1650	1550	3700
H20CF	1650	1500	2130	2030	4100
H20CG	750	750	1250	652	2950
H20CH	1050	1050	1650	1052	3450
H20CI	1650	1500	2130	1532	3950

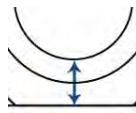
Optional Kee Klamp handrail

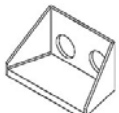
Maximum pipe size 900mm



Backwall heights 1250mm - 2130mm



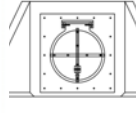
Specifiable pipe invert levels



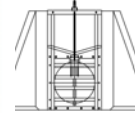
Single or multiple pipe openings



Optional pre-fitted grating



Optional pre-fitted flap valve

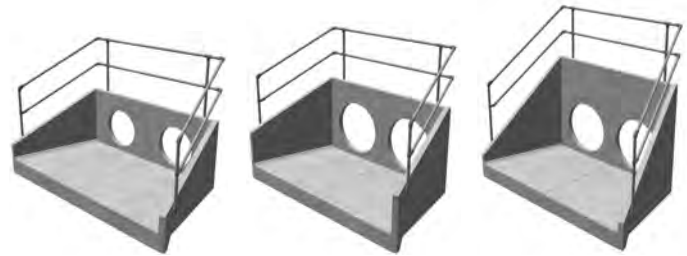


Optional pre-fitted penstock

## H28C Headwall Range

Up to 1650mm Pipework or  
Two pipe openings up to 1050mm  
1250mm - 2130mm Backwall Height

This is a sectional structure with rebated joint, assembled on site around the drainage pipe and locked together by means of stainless steel cast-in sockets and brackets provided. The H28C Headwall is suitable for plastic or clayware pipes up to 1650mm ID or PCC pipes up to 1500mm ID. This headwall will also accommodate Twin pipe openings of up to and including 1050mm ID Plastic and 900mm ID PCC. Available with three standard backwall heights 1.25m, 1.65m and 2.1m, with lifting points cast in to each wingwall for safe handling using Althon lifting clutches.



H28CA

H28CB

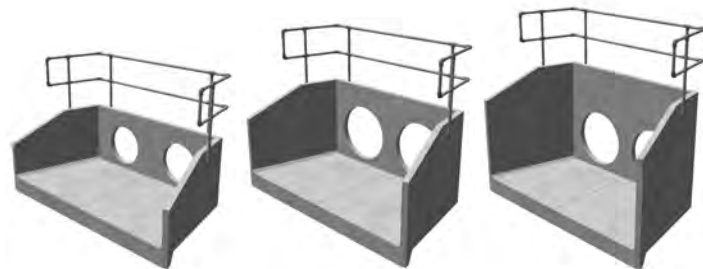
H28CC



H28CD

H28CE

H28CF



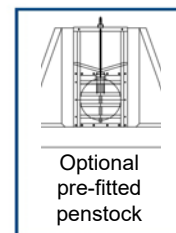
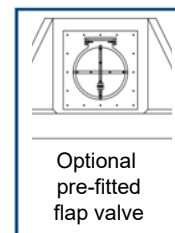
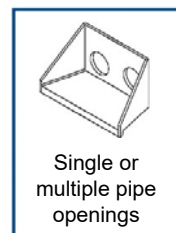
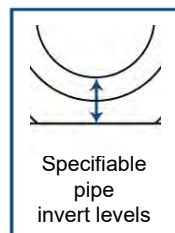
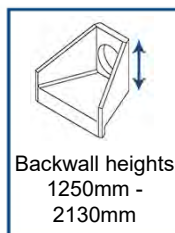
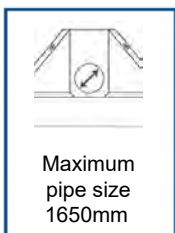
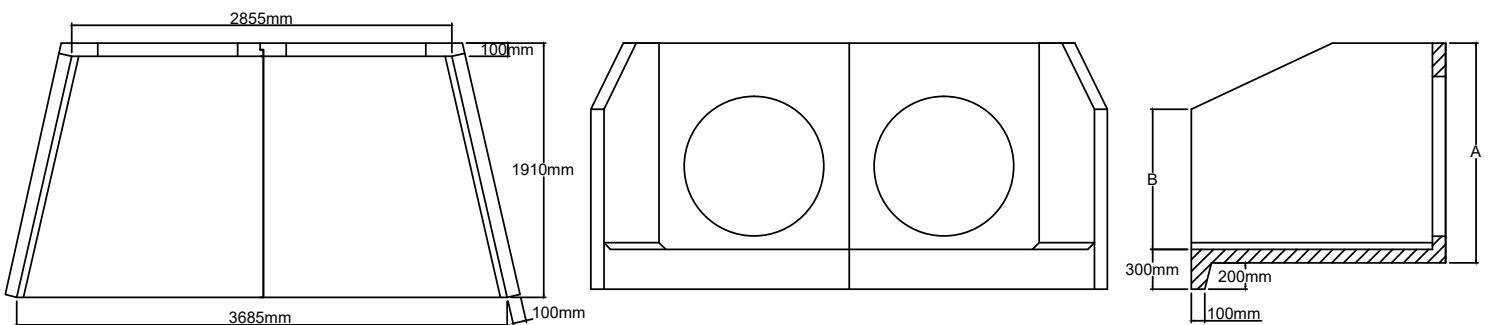
H28CG

H28CH

H28CI

Headwall	Max Pipe Opening Plastic/C/ware	Max Pipe Opening PCC	A	B	Approx Weight kg
H28CA	750 / Twin 750	750 / Twin 750	1250	300	3300
H28CB	1050 / Twin 1050	1050 / Twin 900	1650	700	4000
H28CC	1650 / Twin 1050	1500 / Twin 900	2130	200	4300
H28CD	750 / Twin 750	750 / Twin 750	1250	1150	3800
H28CE	1050 / Twin 1050	1050 / Twin 900	1650	1550	4400
H28CF	1650 / Twin 1050	1500 / Twin 900	2130	2030	5100
H28CG	750 / Twin 750	750 / Twin 750	1250	652	3650
H28CH	1050 / Twin 1050	1050 / Twin 900	1650	1052	4250
H28CI	1650 / Twin 1050	1500 / Twin 900	2130	1532	4950

Optional Kee Klamp handrail

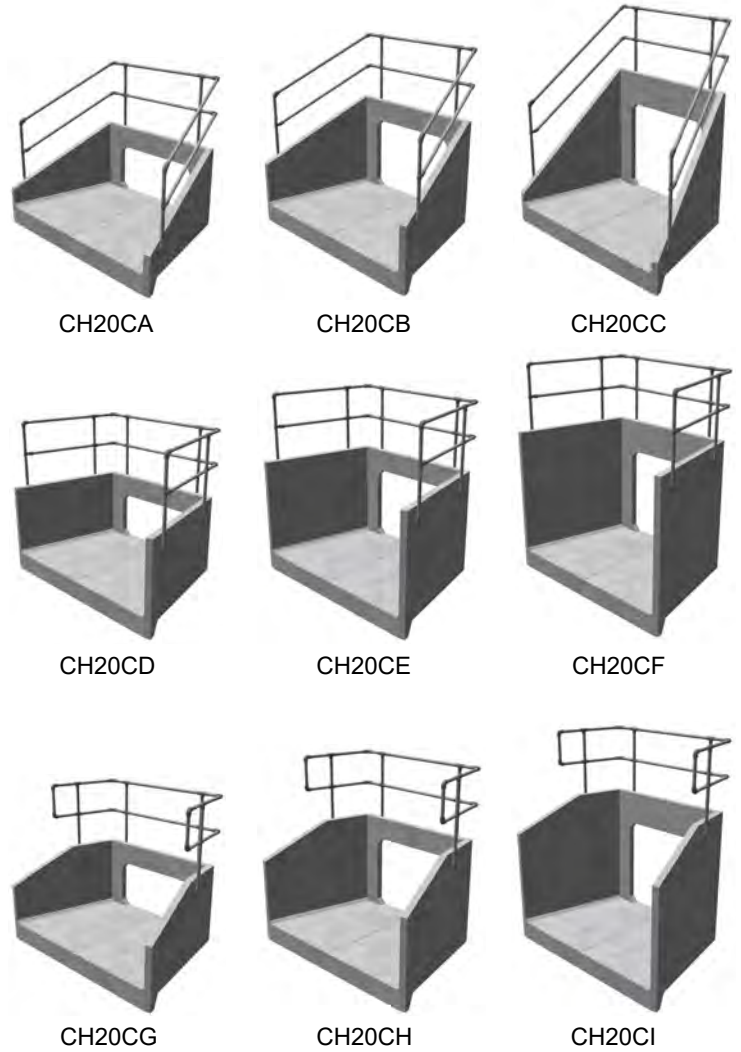


# CH20C Headwall Range

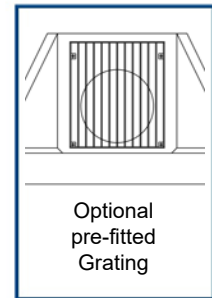
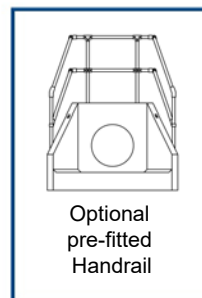
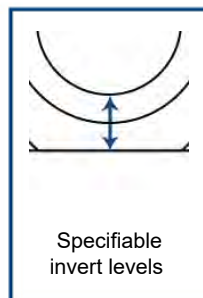
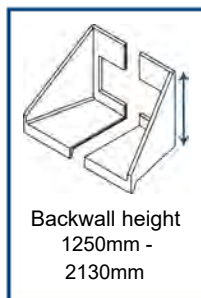
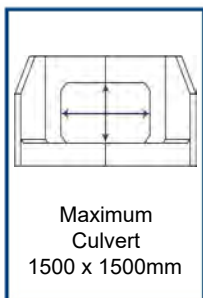
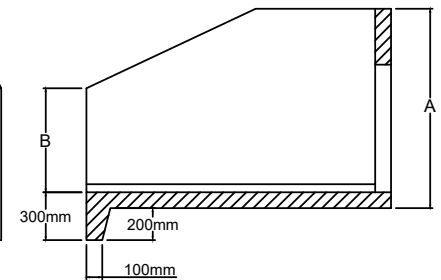
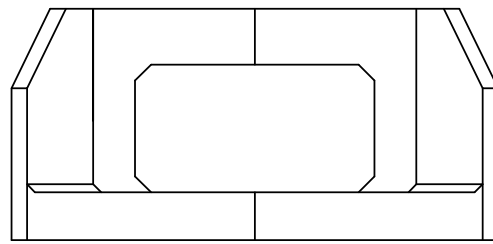
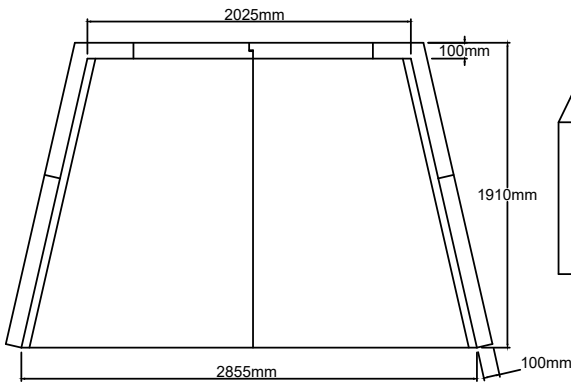
Up to 1500 x 1500mm Culvert  
1250mm - 2130mm Backwall Height

This is a sectional structure with rebated joint, assembled on site around the box culvert and locked together by means of stainless steel cast-in sockets and brackets provided. The Althon Culvert Headwall Range CH20C will accommodate box culverts with a maximum internal dimension of 1500mm high. Available with three standard backwall heights, 1.25m, 1.65m and 2.13m with lifting points cast into each wingwall for safe handling using Althon lifting clutches. Stainless steel sockets are provided for the attachment of gratings and special brackets are available for use with the anchorage system.

Headwall	Max Internal Dimensions PCC Box Culvert	A	B	Approx Weight kg
CH20CA	1500 x 800	1250	300	2600
CH20CB	1500 x 1200	1650	700	3200
CH20CC	1500 x 1500	2130	200	3600
CH20CD	1500 x 800	1250	1150	3100
CH20CE	1500 x 1200	1650	1550	3700
CH20CF	1500 x 1500	2130	2030	4100
CH20CG	1500 x 800	1250	652	2950
CH20CH	1500 x 1200	1650	1052	3450
CH20CI	1500 x 1500	2130	1532	3950



Optional Kee Klamp handrail





# CH28C Headwall Range

Up to 2400 x 1500mm Culvert  
1250mm - 2130mm Backwall Height

This is a sectional structure with rebated joint, assembled on site around the box culvert and locked together by means of stainless steel cast-in sockets and brackets provided. The Althon Culvert Headwall Range CH28C will accommodate box culverts with a maximum internal dimension of 2400mm wide x 1500mm high. Available with three standard backwall heights, 1.25m, 1.65m and 2.13m with lifting points cast into each wingwall for safe handling using Althon lifting clutches. Stainless steel sockets are provided for the attachment of gratings and special brackets are available for use with the anchorage system.



CH28CA

CH28CB

CH28CC



CH28CD

CH28CE

CH28CF



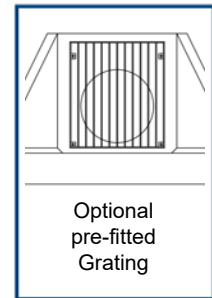
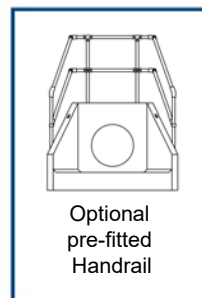
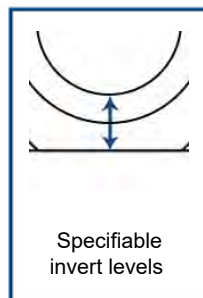
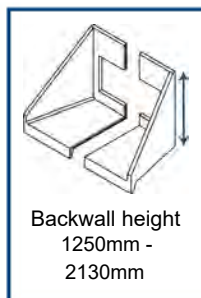
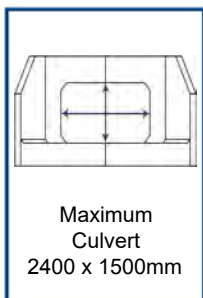
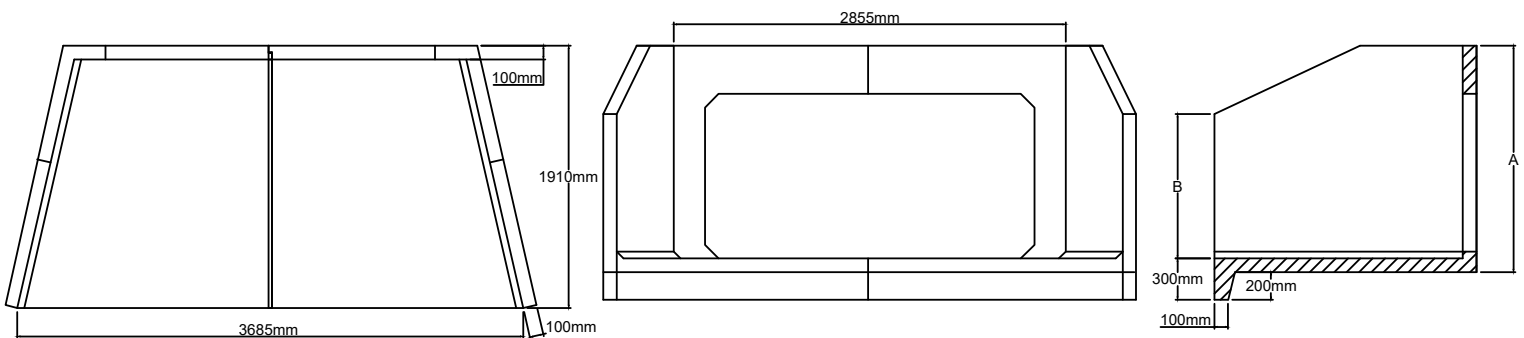
CH28CG

CH28CH

CH28CI

Headwall	Max Internal Dimensions PCC Box Culvert	A	B	Approx Weight kg
CH28CA	2400 x 800	1250	300	3300
CH28CB	2400 x 1200	1650	700	4000
CH28CC	2400 x 1500	2130	200	4300
CH28CD	2400 x 800	1250	1150	3800
CH28CE	2400 x 1200	1650	1550	4400
CH28CF	2400 x 1500	2130	2030	5100
CH28CG	2400 x 800	1250	652	3650
CH28CH	2400 x 1200	1650	1052	4250
CH28CI	2400 x 1500	2130	1532	4950

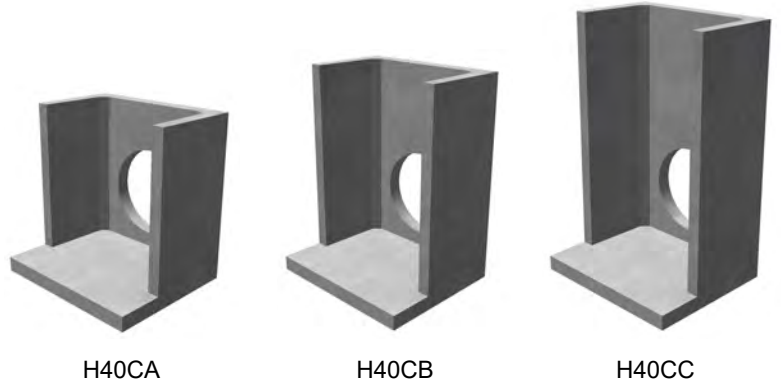
Optional Kee Klamp handrail



# H40C Headwall Range

Up to 600mm Pipework  
1120mm - 2340mm Backwall Height

A one piece reinforced concrete headwall available with five standard backwall heights. Particularly suitable for steep embankments. Due to the relatively narrow footprint of the unit (back to front) it is advisable to fit suitable brackets to attach ground anchors (see page 20). The largest unit can accommodate PCC pipes up to 525mm ID and Plastic pipes up to 600mm ID. Stainless steel sockets are provided for the attachment of gratings. Lifting points are cast in to each wingwall for safe handling using Althon lifting clutches. Galvanised Mild steel angle can be fitted to the side walls in order to fit stop logs and the backwall can be extended horizontally through the fitting of side wall extensions if required.



H40CA

H40CB

H40CC

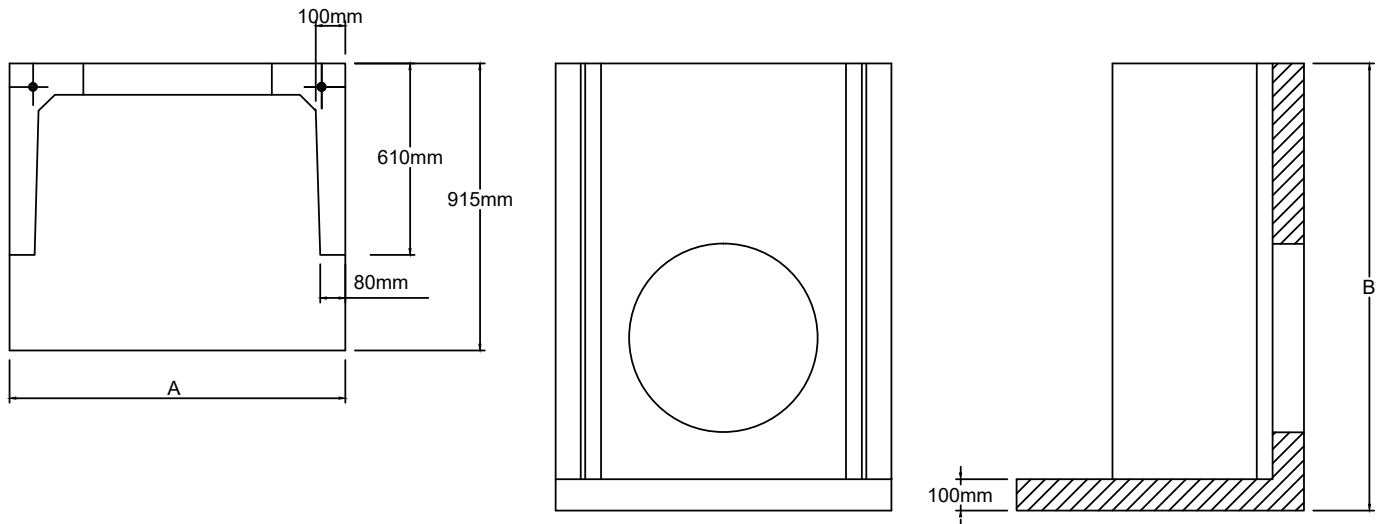
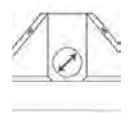


H40CD

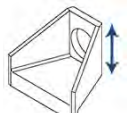
H40CE

Optional Kee Klamp handrail

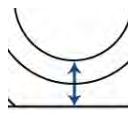
Headwall	Max Pipe Opening Plastic/C/ware	Max Pipe Opening PCC	A	B	Approx Weight kg
H40CA	600	525	1070	1120	700
H40CB	600	525	1070	1425	850
H40CC	600	525	1070	1730	980
H40CD	600	525	1070	2035	1120
H40CE	600	525	1070	2340	1280

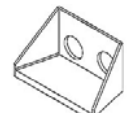
Maximum pipe size  
600mm



Backwall heights  
1120mm -  
2340mm



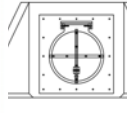
Specifiable pipe invert levels



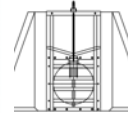
Single or multiple pipe openings



Optional pre-fitted grating



Optional pre-fitted flap valve



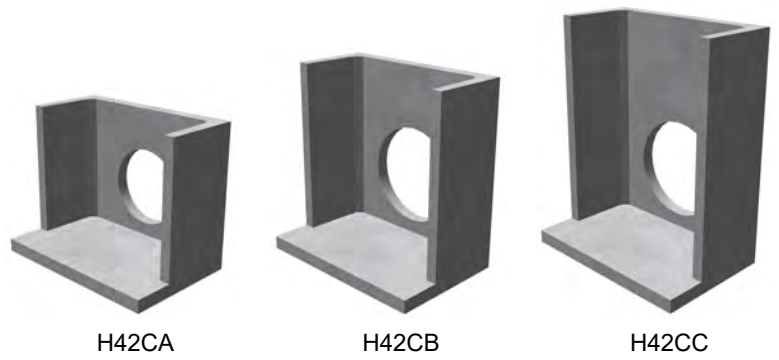
Optional pre-fitted penstock



## H42C Headwall Range

Up to 750mm Pipework  
1120mm - 2340mm Backwall Height

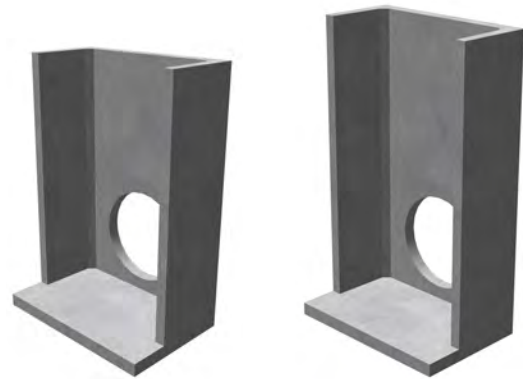
A one piece reinforced concrete headwall available with five standard backwall heights. Particularly suitable for steep embankments. Due to the relatively narrow footprint of the unit (back to front) it is advisable to fit suitable brackets to attach ground anchors (see page 20). The largest unit can accommodate PCC pipes up to 750mm ID and Plastic pipes up to 750mm ID. Stainless steel sockets are provided for the attachment of gratings. Lifting points are cast in to each wingwall for safe handling using Althon lifting clutches. Galvanised Mild steel angle can be fitted to the side walls in order to fit stop logs and the backwall can be extended horizontally through the fitting of side wall extensions if required.



H42CA

H42CB

H42CC

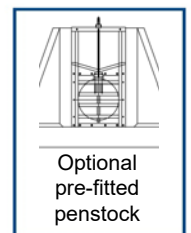
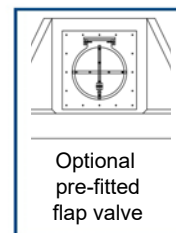
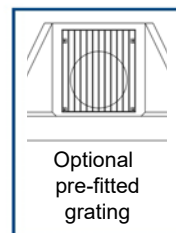
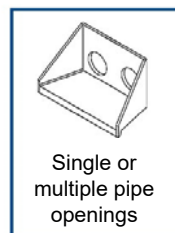
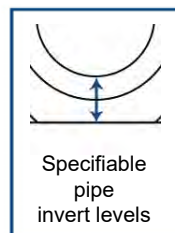
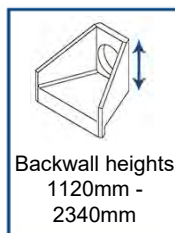
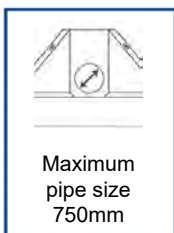
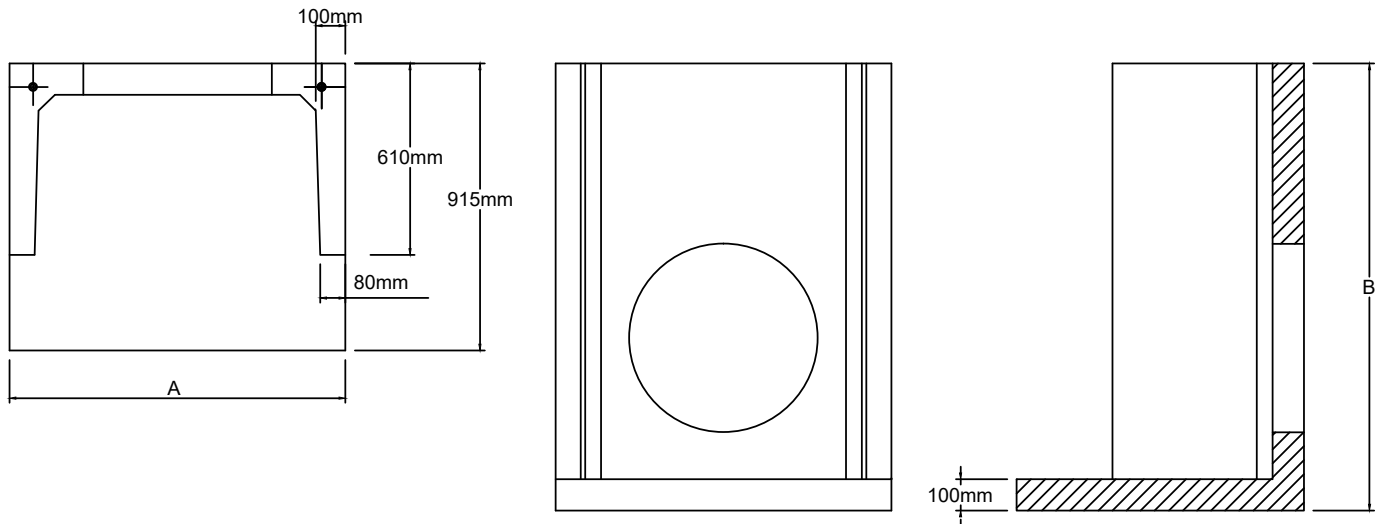


H42CD

H42CE

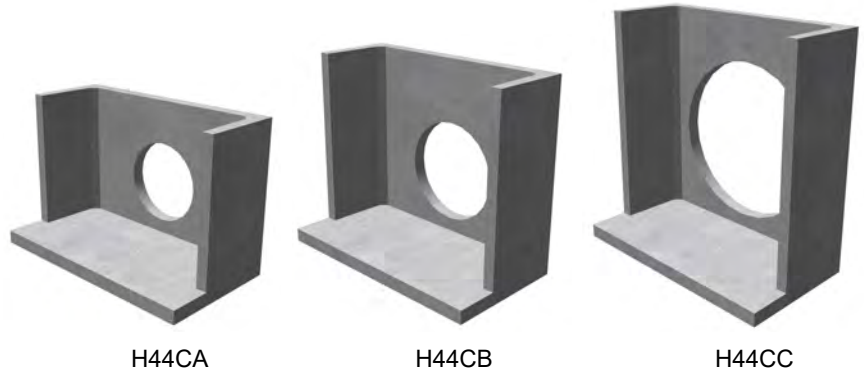
Optional Kee Klamp handrail

Headwall	Max Pipe Opening Plastic/C'ware	Max Pipe Opening PCC	A	B	Approx Weight kg
H42CA	600	600	1375	1120	810
H42CB	750	750	1375	1425	1070
H42CC	750	750	1375	1730	1230
H42CD	750	750	1375	2035	1390
H42CE	750	750	1375	2340	1550

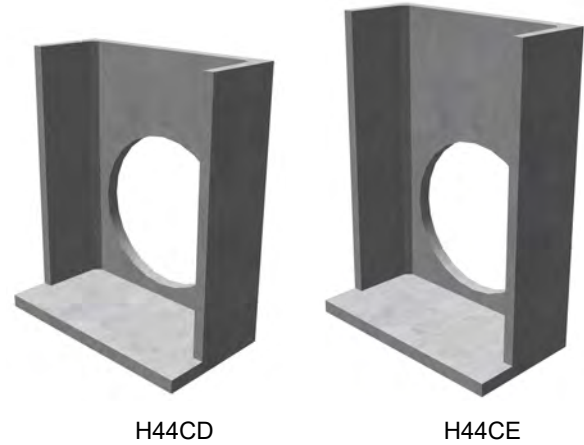


## H44C Headwall Range

Up to 1200mm Pipework  
1120mm - 2340mm Backwall Height

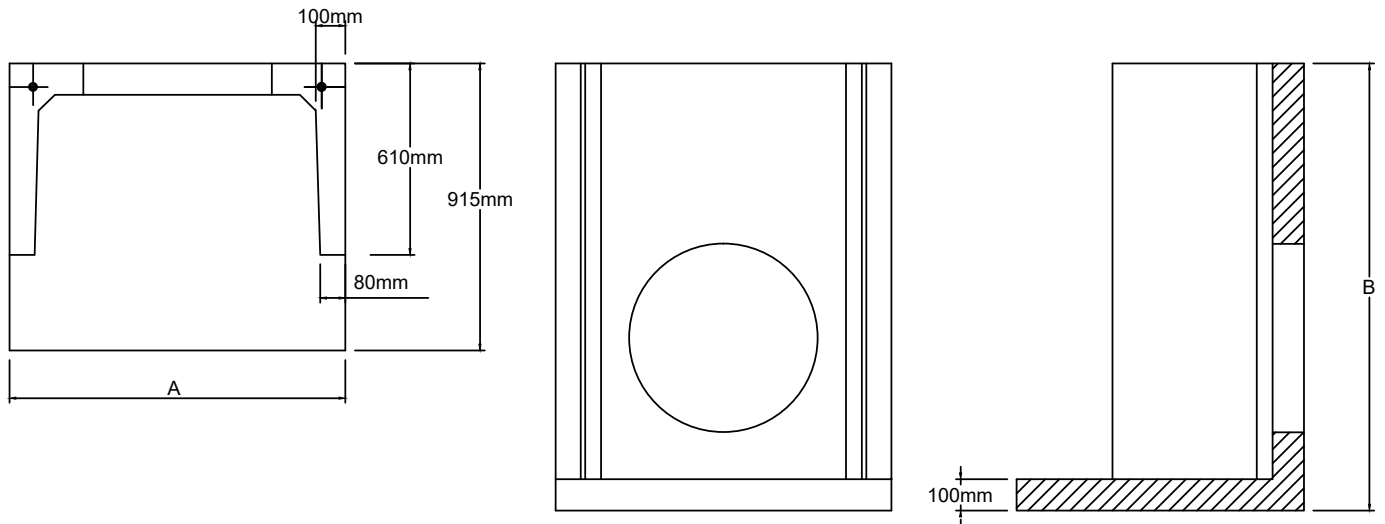


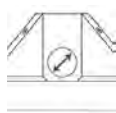
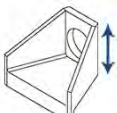
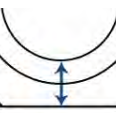
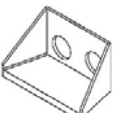
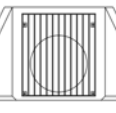
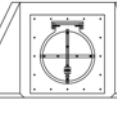
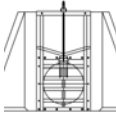
A one piece reinforced concrete headwall available with five standard backwall heights. Particularly suitable for steep embankments. Due to the relatively narrow footprint of the unit (back to front) it is advisable to fit suitable brackets to attach ground anchors (see page 20). The largest unit can accommodate PCC pipes up to 1050mm ID and Plastic pipes up to 1200mm ID. Stainless steel sockets are provided for the attachment of gratings. Lifting points are cast in to each wingwall for safe handling using Althon lifting clutches. Galvanised Mild steel angle can be fitted to the side walls in order to fit stop logs and the backwall can be extended horizontally through the fitting of side wall extensions if required.



Headwall	Max Pipe Opening Plastic/C'ware	Max Pipe Opening PCC	A	B	Approx Weight kg
H44CA	600	600	1680	1120	990
H44CB	750	750	1680	1425	1170
H44CC	1200	1050	1680	1730	1380
H44CD	1200	1050	1680	2035	1540
H44CE	1200	1050	1680	2340	1730

Optional Kee Klamp handrail



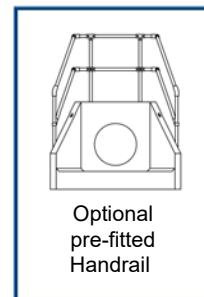
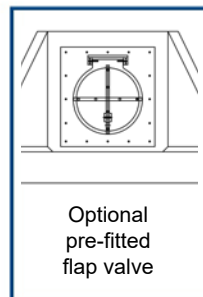
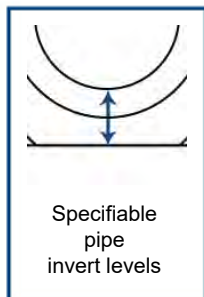
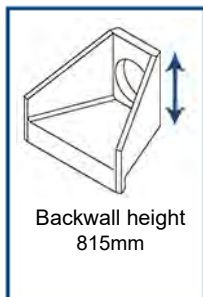
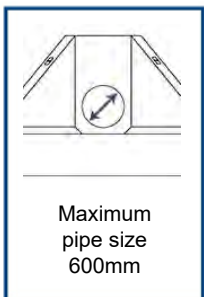
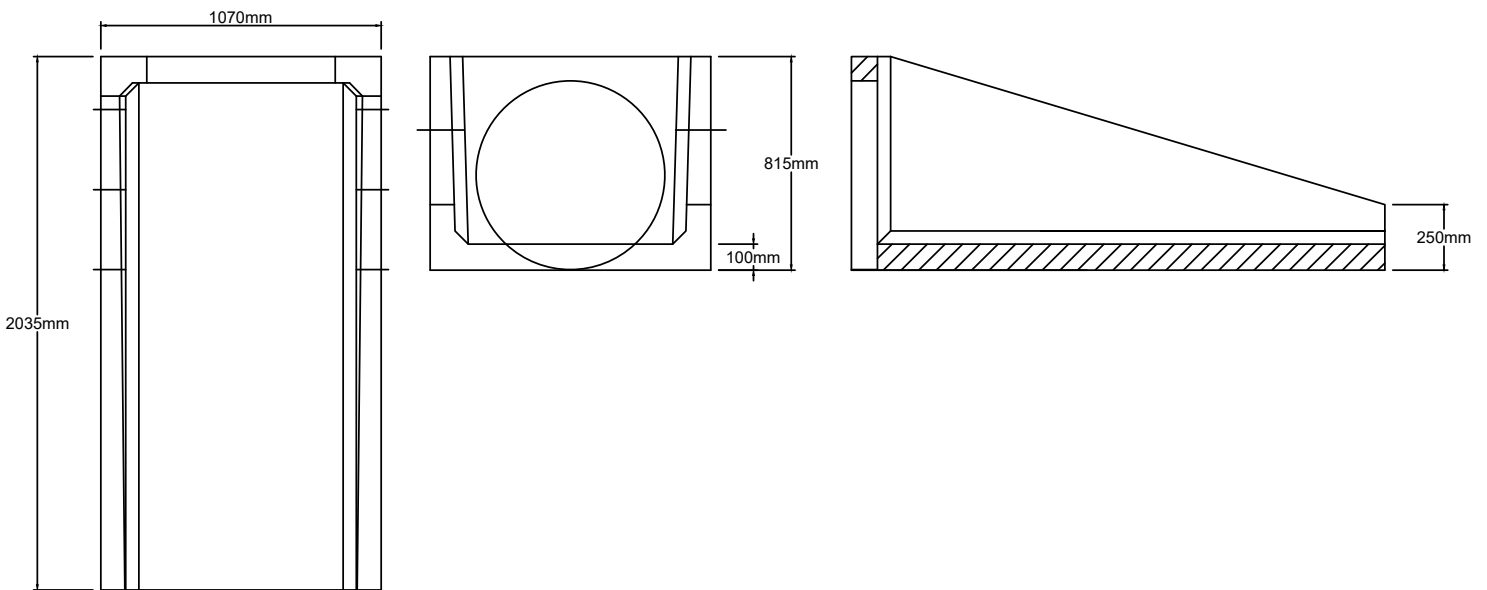
						
Maximum pipe size 1200mm	Backwall heights 1120mm - 2340mm	Specifiable pipe invert levels	Single or multiple pipe openings	Optional pre-fitted grating	Optional pre-fitted flap valve	Optional pre-fitted penstock



## H50C Headwall Range

Up to 600mm Pipework  
Approximate weight 900kg

A one piece concrete headwall to suit pipes up to 600mm ID. These headwalls can be used when the ditch bank is very shallow approx 1:3. They can be provided with fixings for gratings, flap valves or a full length sloped grating.

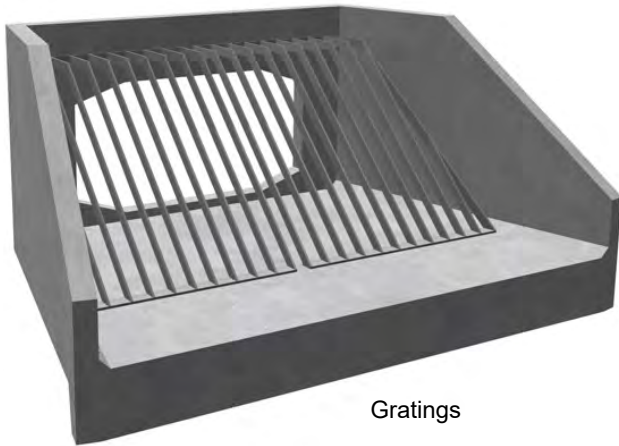


## Headwall Accessories

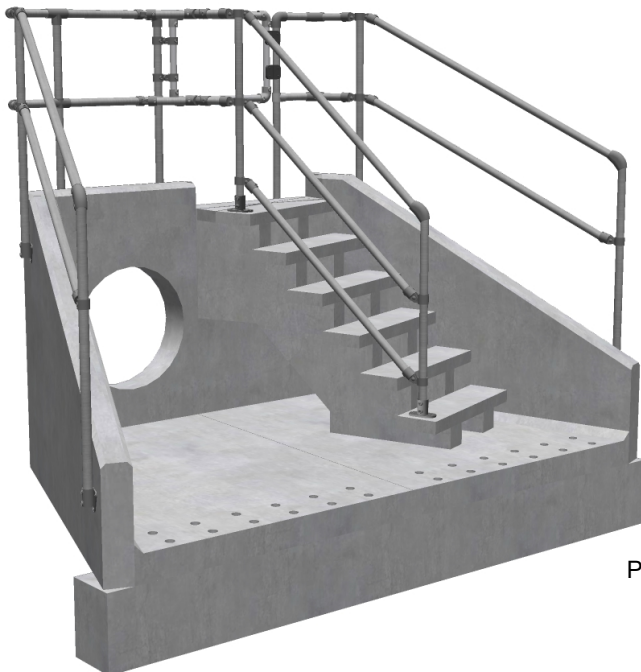
This page gives an overview of the alterations and additions that can be accommodated. For more specific information, please visit our website [www.althon.co.uk](http://www.althon.co.uk) If you can't see what you are looking for please contact our sales office on 01603 488700



Flap Valve



Gratings



PCC Steps



Penstock

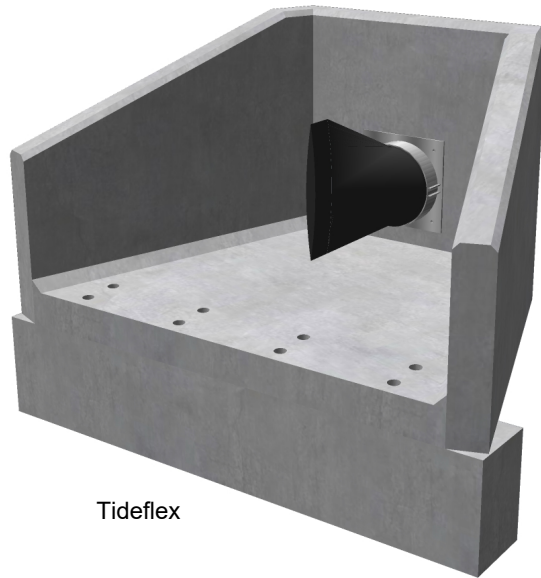


Stepped Baffle Blocks





Catwalk Gratings



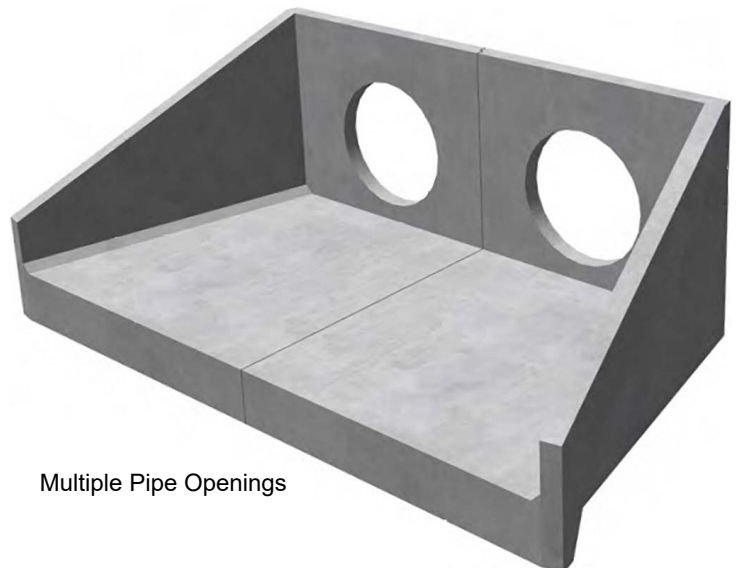
Tideflex



Kee Klamp Handrail and Ladders



Diffuser Blocks



Multiple Pipe Openings

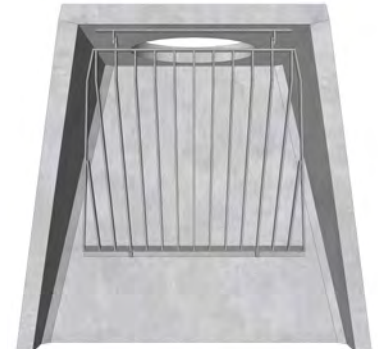
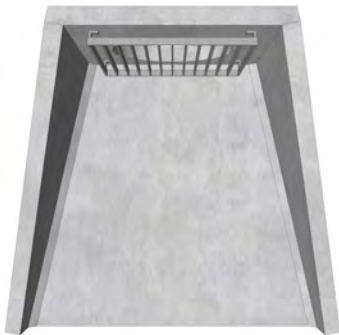
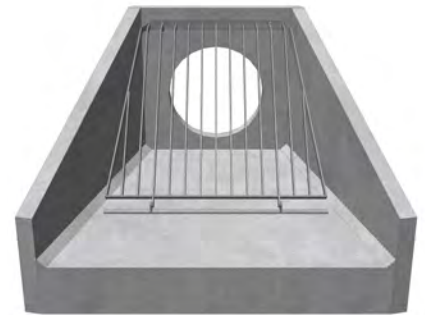
We can also factory fitted other accessories such as Orifice Plates, Extended spillways, Weir Walls, Extended Toes, Pipe openings in Wingwalls, Stop Logs, Dovetail Slots and more.

## Grating Configurations for Althon Headwalls

Althon Headwalls can be supplied fitted with either mild steel (unit fully welded then hot dip galvanised or stainless steel gratings. Three different configurations are available. Gratings provide safety against persons entering the pipe or culvert and protection against the ingress of debris. Bespoke gratings can be manufactured to suit customer requirements, please contact the Althon Sales Office for further details.

The sloped Grating is normally used where a flap valve is fitted, it allows the flap valve to operate efficiently and offers better protection against blockage as it allows debris to be pushed up the grating as the water level rises, minimising build up and potential blockage.

The cranked grating is normally used where a large flap valve or penstock is fitted. This type of grating allows the flap valve or penstock to operate efficiently. Special access points can be made available with the grating to allow access to operating gear for penstocks etc.



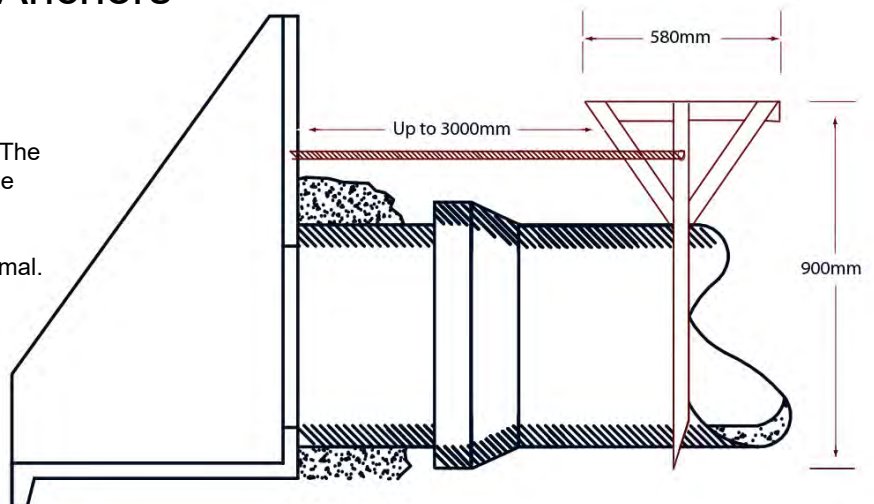
Close Coupled Grating

Sloped Grating

Cranked Grating

## Althon Headwall Ground Anchors

It may be felt necessary on some of the taller headwall units that an anchor system is required. Althon can provide a galvanised mild steel anchor system manufactured from 50 x 50mm angle iron. The anchors are driven into the ground either side of the pipe and are connected to the rear of the headwall with stainless steel studding which can be to to 3000mm long. Backfilling is then performed as normal.



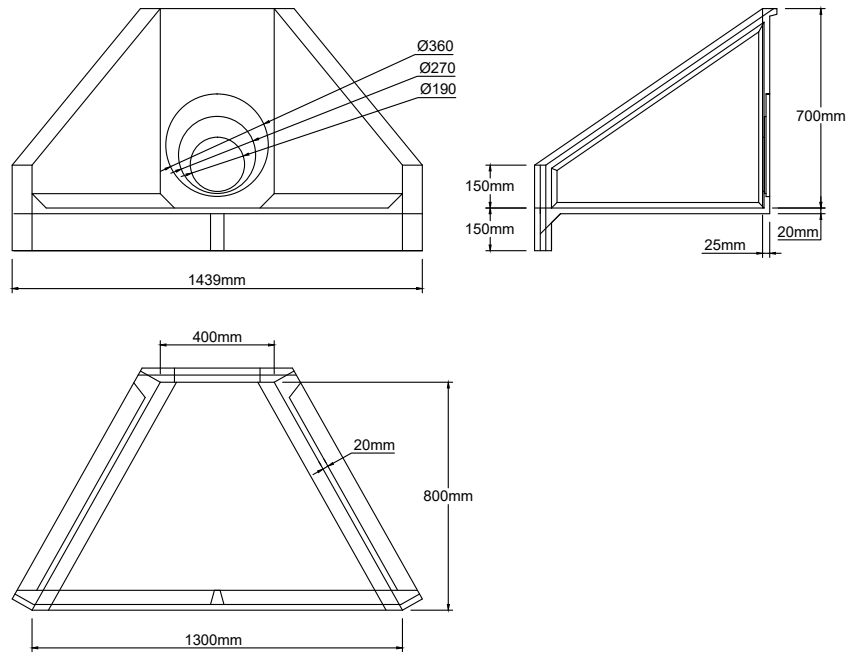


## H3G GRC Headwall

Up to 300mm Pipework  
Approximate weight 150kg

A one-piece glass reinforced cement (GRC) headwall with an opening to suit 150mm diameter pipes and knockout webs to enlarge to 225mm and 300mm diameter pipes.

Stainless steel sockets are provided for the attachment of gratings. The dimensions of the unit are as the H3C PCC unit on page \*\* with a reduced to depth of 150mm and nominal wall thickness of 20mm.

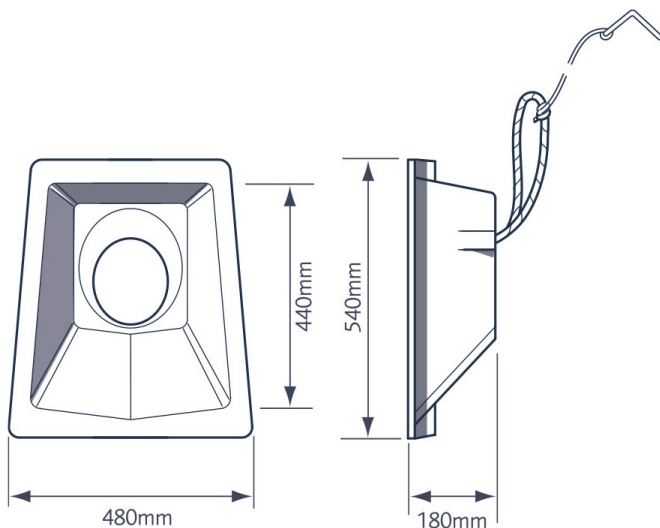


## General Purpose Headwalls

Manufactured in GRC and provided with a unique anchorage system. A lightweight recessed headwall suitable for most situations where batter angle is not less than 45 degrees and for use in minor water course with moderate flows.

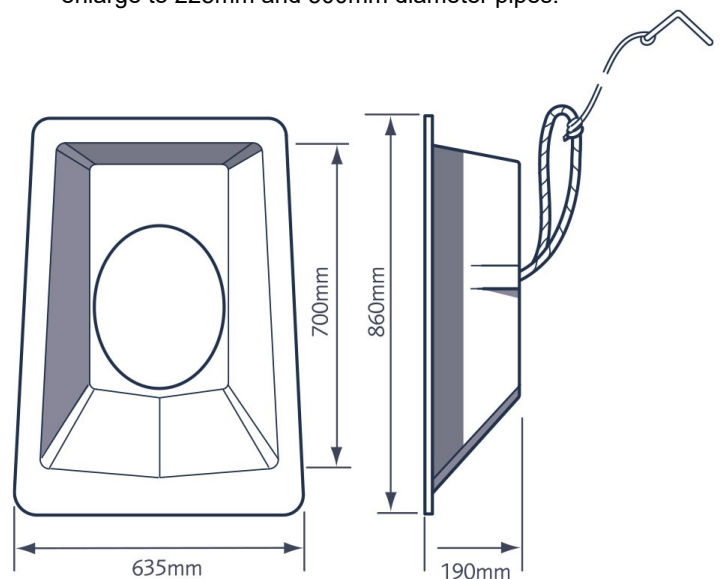
### Small General Purpose Headwall

A one piece glass reinforced headwall with an opening to suit 80mm diameter pipes and knockout webs to enlarge to 100mm and 150mm diameter pipes.



### Large General Purpose Headwall

A one piece glass reinforced headwall with an opening to suit 150mm diameter pipes and knockout webs to enlarge to 225mm and 300mm diameter pipes.





# One Piece Heavy Duty Silt Trap Inlet

Up to 600mm Pipework  
1425mm - 1730mm Backwall Height

A one piece reinforced concrete unit with hinged grating and generous silt capacity. Lifting points are cast in to each wall for safe handling using Althon lifting clutches.



One Piece Heavy Duty Silt Trap Inlet A

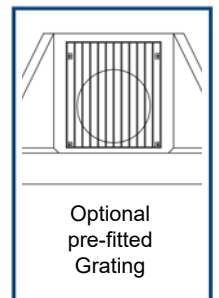
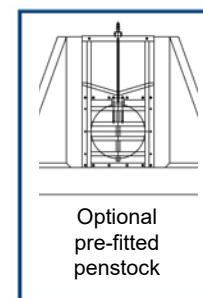
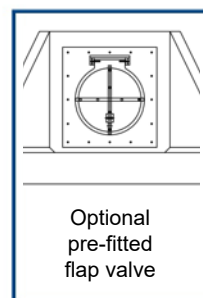
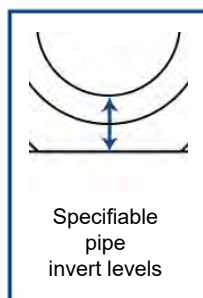
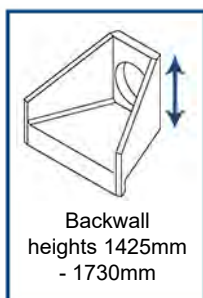
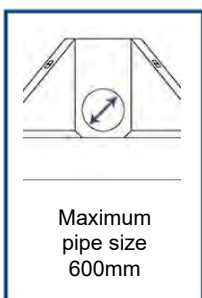
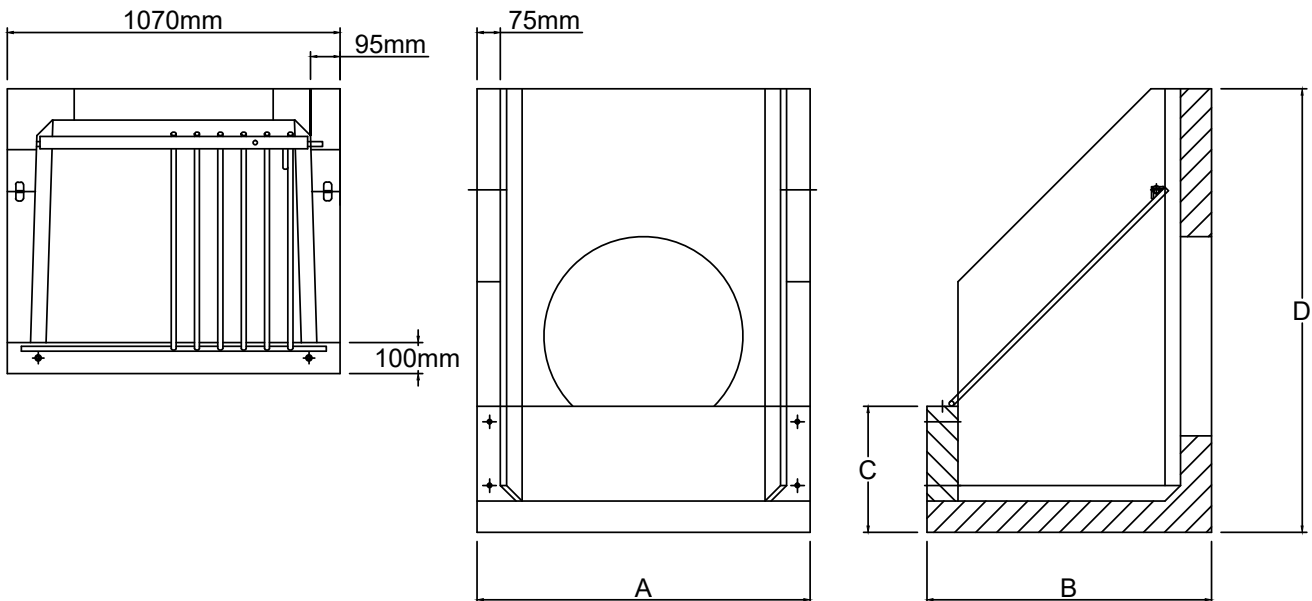


One Piece Heavy Duty Silt Trap Inlet B

Optional Kee Klamp handrail

Headwall	Max Pipe Opening Plastic/C'ware	Max Pipe Opening Concrete	A	B	C Min*	D	Approx Weight kg
1PHDST A	600	525	1065	915	400	1425	1250
1PHDST B	600	525	1065	915	400	1730	1450

\* Can be increased in 150mm increments to a maximum of 850mm



# Two Piece Heavy Duty Silt Trap Inlet

Up to 1200mm Pipework  
1730mm - 2340mm Backwall Height

Sturdy reinforced concrete structures for use on large diameter pipes and ideally suited for use in water courses with high velocities of water flow. Heavy duty galvanised steel weed screen with a removable centre panel for access to the silt chamber is provided. Delivered complete with grating and all necessary fixings. Lifting points are cast in to each wall for safe handling using Althon lifting clutches.



Two Piece Heavy Duty Silt Trap Inlet A



Two Piece Heavy Duty Silt Trap Inlet B



Two Piece Heavy Duty Silt Trap Inlet C



Two Piece Heavy Duty Silt Trap Inlet D



Two Piece Heavy Duty Silt Trap Inlet E



Two Piece Heavy Duty Silt Trap Inlet F



Two Piece Heavy Duty Silt Trap Inlet G



Two Piece Heavy Duty Silt Trap Inlet H



Two Piece Heavy Duty Silt Trap Inlet I

Headwall	Max Pipe Opening Plastic/C/ware	Max Pipe Opening Concrete	A	B	C	D	Approx Weight kg
2PHDST A	750	675	1065	1220	400	1730	1360
2PHDST B	900	750	1370	1220	400	1730	1615
2PHDST C	1050	900	1675	1220	400	1730	1875
2PHDST D	750	675	1065	1220	400	2035	1500
2PHDST E	900	750	1370	1220	400	2035	1785
2PHDST F	1050	1050	1675	1220	400	2035	2070
2PHDST G	750	675	1065	1220	400	2340	1660
2PHDST H	900	750	1370	1220	400	2340	1955
2PHDST I	1200	1200	1675	1220	400	2340	2260

Optional Kee Klamp handrail

