

930 Series

Mortice Exit Device



BS EN 1125:1997+A1:2001
Classification Code 37601322B

The Adams Rite 930 Series Mortice Exit Device is a life safety device which is designed to fit timber or hollow steel door applications.



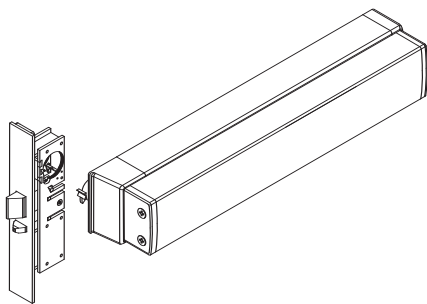
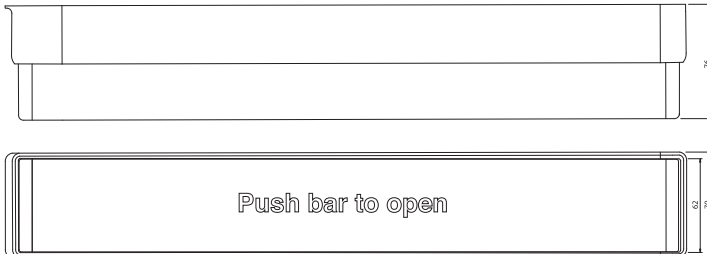
Key Benefits

- Suitable for use on timber and steel doors
- Available in two backset sizes, 38.1mm and 69.9mm
- Unique tab system on deadlatch allows the flat faceplate to be used to suit bevelled door sections
- Dogging as standard on all versions except 600mm
- The device has an all steel latch case with an oil impregnated solid brass bolt and deadlatching mechanism
- Options include: Monitoring and Cylinder dogging
- Accepts only standard mortice cylinder (with MS® cam) allowing external key access

Related Hardware

4056 Round Cylinder ~ MS® 4043 Cylinder Guard (steel doors only) ~
8066 Entry Trim ~ 3080 and 3080E Series Entry Trims ~
7128 Electric Strike

Dimensions



Ordering Codes Matrix

930 - 01 - 3 - 8 0 4 - 628

Door Material	930 Timber/Hollow Metal
Options	01 Cylinder Dogging
Door Opening Width	3 900mm
Handing	7 RHR
Faceplate Shape	0 Flat
Backset	4 38.1mm
Finish	628 Satin Aluminium

Specifications

Projection:	76.5mm from face of door.
Push Bar Face Width:	62mm.
Back Bar Width:	70mm.
Door Opening Widths:	Five standard sizes - 600mm, 750mm, 900mm, 1050mm, 1200mm.
Width Variations:	See dimensional limitations
Push Bar:	Extruded Aluminium Alloy. Removable for Polyester Powder Coating if required.
Dogging Facility:	Built-in. Operated by dogging key (two supplied). NOTE: Not available on 600mm door opening width bar.
Case:	Steel with corrosion-resistant plating.
Latch Backsets:	38.1mm and 69.9mm.
Latch Bolt:	25.4mm x 16mm. Oil impregnated solid brass. Hardened steel internal pins, plus anti-pick baffle.
Bolt Throw:	15.3mm.
Auxiliary Bolt:	Stainless Steel Pin.
Door Gap:	Maximum 5mm.
Forend:	Steel, with aluminium faceplate.
Standards:	Independently tested to the requirements of BS EN 1125:1997+A1: 2001.
Other:	'Push bar to open' sticker included.

Dimensional Limitations

Series	Type	Bar Height (MM)	Minimum Door Height (MM)	Maximum Door Height (MM)	Maximum Door Opening Width (MM)	Minimum Door Opening Width (MM)
930	Latch	900 1100	n/a	2500	1200	945
					1050	745
					900	745
					750	705
					600	475

Note: As standard the 930 is designed to fit a 44.45mm to 47mm thick door section. Bars are available with an extended drive to suit thicker doors, however these are non-stock items and would be classed as a special order item.

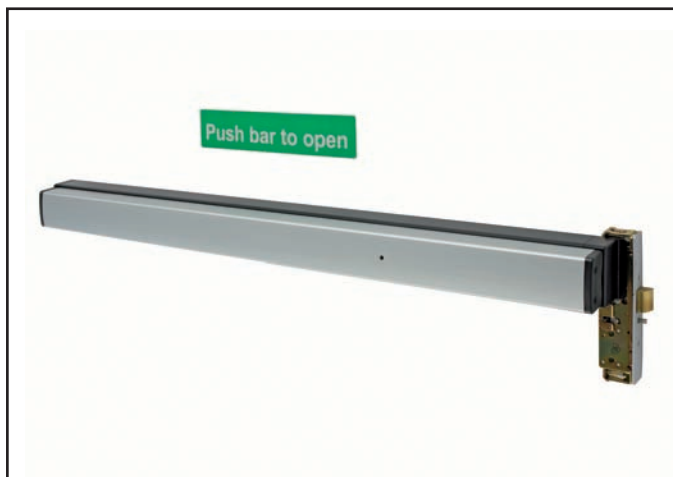
940 Series

Mortice Exit Device



BS EN 1125:2008
Classification Code 37601322BA

The Adams Rite 940 Series Mortice Exit device is a life safety device designed to fit into commercial aluminium door applications.



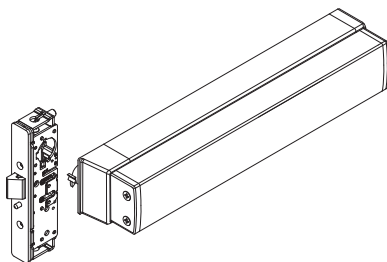
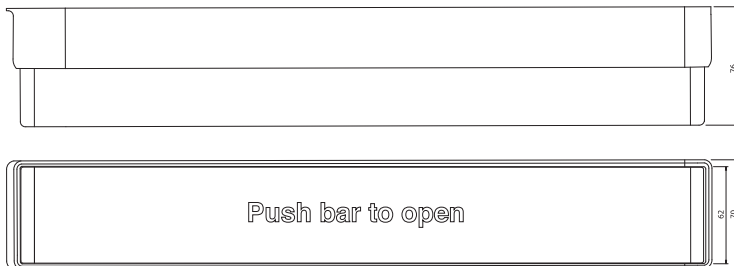
Key Benefits

- Suitable for use on aluminium doors
- The device has an all steel latch case with an oil impregnated solid brass bolt and deadlatching mechanism
- Available in backset of 24.6mm, 28.6mm and 38.1mm and requires a minimum door stile depth of 16.3mm greater than the backset
- Special versions available for doors thicker than 44.45mm and where longer strike lips are required for centre-hung doors
- Flat, bevelled, radius or radius with weatherstrip faceplates are available
- Unique tab system allows the flat faceplate to be used to suit bevelled sections on the 28.6mm and 38.1mm backset sizes
- Options include: Monitoring and Cylinder dogging
- Dogging as standard on all versions except 600mm
- Accepts only standard mortice cylinder (with MS® cam) allowing external key access

Related Hardware

4056 Round Cylinder ~ MS® 4043 Cylinder Guard ~ 8066 Entry Trim ~ 3080 and 3080E Series Entry Trims ~ 7108 Electric Strike ~ 7128 Electric Strike ~ 4593 and 4593E Latch Pulls

Dimensions



Ordering Codes Matrix

940 - 00 - 3 - 8 0 2 - 628

Door Material

940 Aluminium

Options

00 Basic Model

01 Cylinder Dogging

02 Single Switch Monitoring

03 Double Switch Monitoring

Door Opening Width

1 600mm

2 750mm

3 900mm

4 1050mm

5 1200mm

Handing

7 RHR

8 LHR

Faceplate Shape

0 Flat (24.6mm backset only)

1 Radius (24.6mm backset only)

2 Bevelled (24.6mm backset only)

4 Radius with weatherstrip (24.6mm backset only)

U Universal (28.6mm & 38.1mm backset only)

Backset (affects faceplate shapes available)

2 24.6mm* (specify faceplate above)

3 28.6mm (comes with universal faceplate pack)

4 38.1mm (comes with universal faceplate pack)

Finish

313 Dark 'Bronze' Aluminium

335 Black Aluminium

628 Satin Aluminium

Specifications

Projection:	76.5mm from face of door.
Push Bar Face Width:	62mm.
Back Bar Width:	70mm.
Door Opening Widths:	Five standard sizes - 600mm, 750mm, 900mm, 1050mm, 1200mm.
Width Variations:	See dimensional limitations
Push Bar:	Extruded Aluminium Alloy. Removable for Polyester Powder Coating if required.
Dogging Facility:	Built-in. Operated by dogging key (two supplied). NOTE: Not available on 600mm door opening width bar.
Case:	Steel with corrosion-resistant plating.
Latch Backset:	24.6mm*, 28.6mm, 38.1mm.
Latch Bolt:	25.4mm x 16mm. Oil impregnated solid brass. Hardened steel internal pins, plus anti-pick baffle.
Bolt Throw:	15.3mm.
Auxiliary Bolt:	Stainless Steel Pin.
Door Gap:	Maximum 5mm.
Forend:	Steel, with aluminium faceplate.
Standards:	Independently tested to the requirements of BS EN 1125:2008.
Handing:	Field adjustable.
Other:	'Push bar to open' sticker included.

Dimensional Limitations

Series	Type	Bar Height (MM)	Minimum Door Height (MM)	Maximum Door Height (MM)	Maximum Door Opening Width (MM)	Minimum Door Opening Width (MM)
940 24.6mm 28.6mm Backset	Latch	900 1100	n/a	2500	1200	905
					1050	705
					900	705
					750	662
940 38.1mm Backset	Latch	900 1100	n/a	2500	1200	945
					1050	745
					900	745
					750	705
					600	475

Note: As standard the 940 is designed to fit a 44.45mm to 47mm door stile. Bars are available with extended drive to suit thicker doors however these are non-stock items and would be classed as a special order item.

960 Series

Concealed Vertical Rod Exit Device



BS EN 1125:2008
Classification Code 37601322BA

The Adams Rite 960 Series is a life safety device that uses concealed vertical rods (CVR) for commercial aluminium door applications. It is designed to provide life and safety security by use of a rotating top bolt and post type header strike



Key Benefits

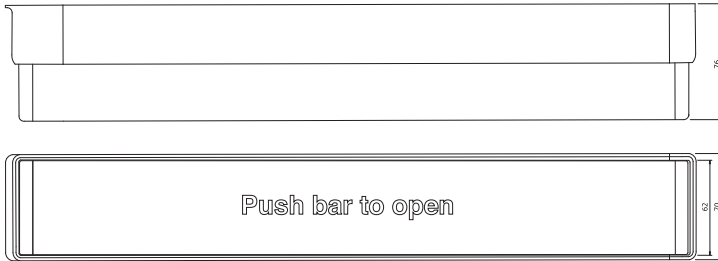
- Suitable for use on aluminium doors
- Non-handed. The standard device will fit most 44.45mm stiles with a minimum of 32mm inside depth to clear the mechanism
- Will accommodate any bar height (from threshold bolt to centreline of bar) from 900mm to 1100mm and any door height up to 1676mm above the bar (a tall door kit is also available for door heights up to 2337mm above the centreline of the bar)
- Options Include: Monitoring, Cylinder Dogging and Tall Door Kits. If required the 960 series will accept any standard mortice cylinder (with MS® cam) from the outside by using the 8650 escutcheon, as well as the full range of Adams Rite Entry Trim
- Dogging as standard on all versions except 600mm

Related Hardware

4056 Round Cylinder ~ 8650 Escutcheon

8066 Entry Trim ~ 3080 and 3080E Series Entry Trims

Dimensions



Specifications

Projection:	76.5mm from face of door.
Push Bar Face Width:	62mm.
Back Bar Width:	70mm.
Door Opening Widths:	Five standard sizes - 600mm, 750mm, 900mm, 1050mm, 1200mm.
Width Variations:	See dimensional limitations
Push Bar:	Extruded Aluminium Alloy. Removable for Polyester Powder Coating if required.
Dogging Facility:	Built-in. Operated by dogging key (two supplied). NOTE: Not available on 600mm door opening width bar.
Standards:	Independently tested to the requirements of BS EN 1125:2008.
Other:	'Push bar to open' sticker included. Tall door kits are available.

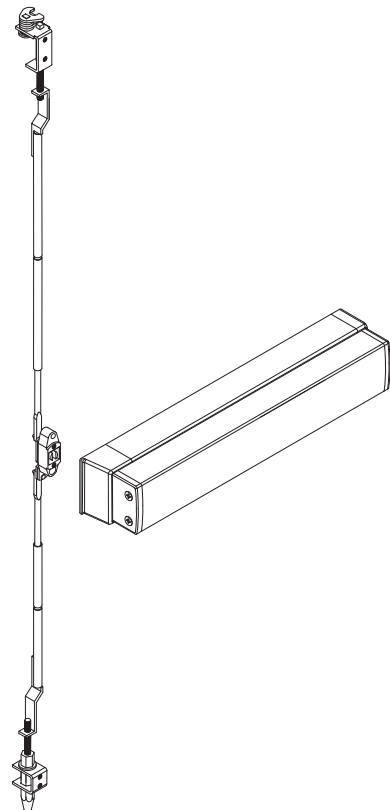
Ordering Codes Matrix

960 - 00 - 3 - 9 9 9 - 628

Door Material	960 Aluminium
Options	00 Basic Model
	01 Cylinder Dogging
	02 Single Switch Monitoring
	03 Double Switch Monitoring
Door Opening Width	1 600mm
	2 750mm
	3 900mm
	4 1050mm
	5 1200mm
Handing	9 Not Applicable
Faceplate Shape	9 Not Applicable
Backset	9 Not Applicable
Finish	313 Dark 'Bronze' Aluminium
	335 Black Aluminium
	628 Satin Aluminium
Tall Door Kits (Optional)	8655-01

Dimensional Limitations

Series	Type	Bar Height (MM)	Minimum Door Height (MM)	Maximum Door Height (MM)	Maximum Door Opening Width (MM)	Minimum Door Opening Width (MM)
960	CVR	900	2000	2500	1200	905
		1100	2200		1050	705
					900	705
					750	662
					600	435



Note: Where the commercial aluminium wall section is thicker or thinner than nominal 3.2mm, the device will require factory modification and therefore will be subject to a longer supply lead-in time. Doors with overall thickness greater than 44.45mm also require special modification to the device if cylinder or entry trim actuation from outside is required.