

7100

Electric Strike for Single Leaf Aluminium Doors



The Adams Rite 7100 Series is for remote use access control of any door equipped with Adams Rite 4700 series (or similar) deadlatch.

The 7100 has flat faceplates for installing in the frame of a single action single leaf doors.



Key Benefits

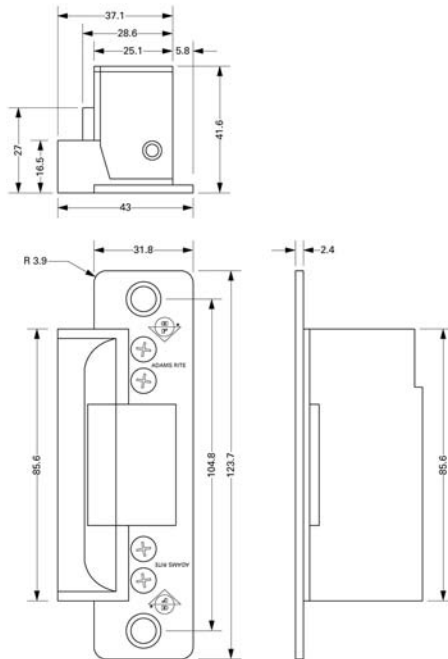
- Suitable for use on aluminium doors
- Facility to change duty from fail-safe to fail secure and vice-versa
- Non-handed
- The compact mechanism fits into an aluminium jamb section as shallow as 44.45mm
- Electrical actuation unlocks the strike jaw, releasing the latchbolt so the door can be opened without operating the latch itself
- The 7100 series have flat faceplates for mounting in the frame of a single action single leaf doors.
- 907kg holding force (2000lbs)
- Round corners of faceplate to aid installation into aluminium doors

Related Hardware

RiteKey Keypad ~ Push-to-Exit Button ~ Power Supply Unit ~
4710 Deadlatch ~ 4750 Deadlatch

Note: For out of hours security specify the Sentinel 6 Deadlock in conjunction with the electric strike/latch combination.

Dimensions



Specifications

Current Draw:	12vAC=1.48A, 12vDC=0.332A, 24vAC=0.74A, 24vDC=0.19A (nominal). DC intermittent and continuous units are silent, AC intermittent units "buzz" on operation.
Voltage Tolerance:	±10%.
Powered By:	Internal solenoid.
Monitoring:	(Optional) Single: Latch only, Double: Latch & solenoid.
Duty:	Fail-safe or fail-secure (convertible without additional parts). DC power supply required for fail-safe operation.
Jaw Strength:	907kg (2000lbs).
Case:	85.6mm x 28.6mm x 41.6mm. Zinc aluminium alloy.
Mechanism:	Stainless steel internal blocking mechanism.
Strike Opening:	36.5mm x 15.9mm x 12.7mm. Stainless steel bolt retainer jaw.
Door Gap:	Minimum 3mm (1/8"), operational door gap 3-5mm.
Faceplate:	Aluminium. 123.7mm x 31.8mm. Flat.
Finishes:	See ordering codes.
Subcover:	Basic subcover lip will suit a 44.45mm (1 3/4") thick door that closes flush with jamb edge. For extended bolt-on subcovers see ordering codes.
Standards:	ANSI/BHMA 156.5 Grade 1. UL Listed for burglary resistance.

Ordering Codes Matrix

7100 - 3 1 0 - 628 - 1

Model Number

7100

Voltage

3 12 volt

5 24 volt

Current and Duty

1 DC Continuous

or intermittent

4 AC Intermittent (fail-secure only)

Features

0 Standard/Fail-Secure

5 Standard/Fail-Safe

7 Monitored/Fail-Safe

9 Monitored/Fail-Secure

Finish

628 Satin Aluminium

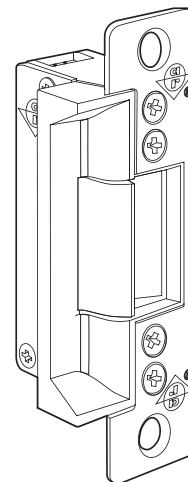
313 Bronze

335 Black

Options

1 Single Monitoring (Latch only)

2 Double Monitoring (Latch and Solenoid)



Subcover Extension Codes (order separately)

Order Code	Dimension*	Order Code	Dimension*
91-0171-01	38.1mm (1.50")	91-0171-08	60.5mm (2.38")
91-0171-02	41.4mm (1.63")	91-0171-09	63.5mm (2.50")
91-0171-03	44.5mm (1.75")	91-0171-10	66.8mm (2.63")
91-0171-04	47.8mm (1.88")	91-0171-11	69.9mm (2.75")
91-0171-05	50.8mm (2.00")	91-0171-12	73.2mm (2.88")
91-0171-06	54.1mm (2.13")	91-0171-13	76.2mm (3.00")
91-0171-07	57.2mm (2.25")		

*Dimension from door centreline to jamb edge.

7101

Electric Strike for Double Leaf Aluminium Doors



The Adams Rite 7100 Series is for remote use access control of any door equipped with Adams Rite 4700 series (or similar) deadlatch.

The 7101 has a radiused faceplate for mounting in the rounded nose in the inactive leaf of paired doors.



Key Benefits

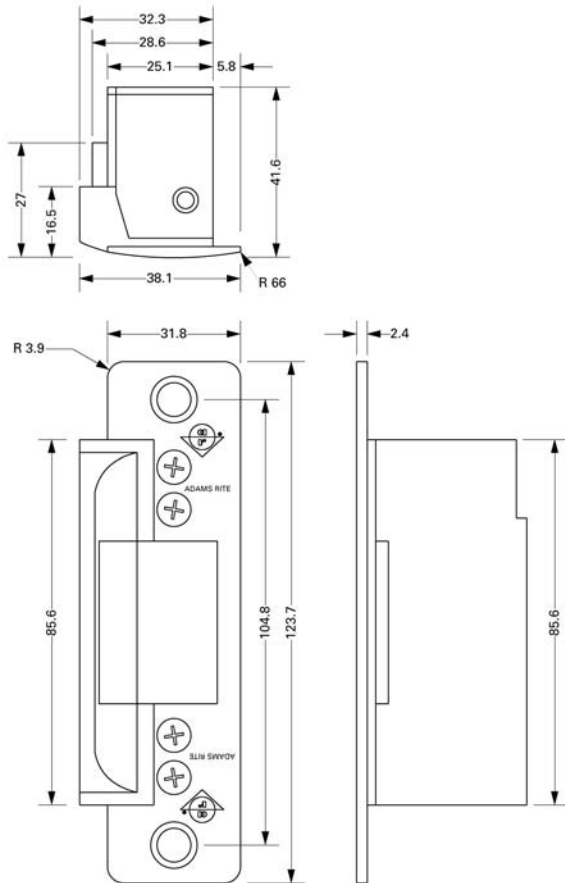
- Suitable for use on aluminium doors
- Non-handed
- Electrical actuation unlocks the strike jaw, releasing the latchbolt so the door can be opened without operating the latch itself
- The compact mechanism fits into an aluminium jamb section as shallow as 44.45mm
- 907kg holding force (2000lbs)
- The 7101 has a radiused faceplate for mounting in the rounded nose in the inactive leaf of paired doors.
- Round corners of faceplate to aid installation into aluminium doors
- Facility to change duty from fail-safe to fail-secure and vice-versa

Related Hardware

RiteKey Keypad ~ Push-to-Exit Button ~ Power Supply Unit ~
4710 Deadlatch ~ 4750 Deadlatch

Note: For out of hours security specify the Sentinel 6 Deadlock in conjunction with the electric strike/latch combination.

Dimensions



Specifications

Current Draw:	12vAC=1.48A, 12vDC=0.332A, 24vAC=0.74A, 24vDC=0.19A (nominal). DC intermittent and continuous units are silent, AC intermittent units "buzz" on operation.
Voltage Tolerance:	±10%.
Powered By:	Internal solenoid.
Monitoring:	(Optional) Single: Latch only, Double: Latch & solenoid.
Duty:	Fail-safe or fail-secure (convertible without additional parts). DC power supply required for fail-safe operation. 907kg (2000lbs).
Jaw Strength:	907kg (2000lbs).
Case:	85.6mm x 28.6mm x 41.6mm. Zinc aluminium alloy.
Mechanism:	Stainless steel internal blocking mechanism.
Strike Opening:	36.5mm x 15.9mm x 12.7mm. Stainless steel bolt retainer jaw.
Door Gap:	Minimum 3mm (1/8"), operational door gap 3-5mm.
Faceplate:	Aluminium. 123.7mm x 31.8mm. Radiused.
Finishes:	See ordering codes.
Subcover:	Subcover lip will suit a 44.45mm (1 3/4") thick door.
Standards:	ANSI/BHMA 156.5 Grade 1. UL Listed for burglary resistance.

Ordering Codes Matrix

7101 - 3 1 0 - 628 - 1

Model Number	7101
Voltage	3 12 volt 5 24 volt
Current and Duty	1 DC Continuous or intermittent 4 AC Intermittent (fail-secure only)
Features	0 Standard/Fail-Secure 5 Standard/Fail-Safe 7 Monitored/Fail-Safe 9 Monitored/Fail-Secure
Finish	628 Satin Aluminium 313 Bronze 335 Black
Options	1 Single Monitoring (Latch only) 2 Double Monitoring (Latch and Solenoid)

7108 and 7128

Electric Strike



The Adams Rite 7100 Series is for remote use access control of any door equipped with Adams Rite 4700 series (or similar) deadlatch.

The 7108 and 7128 series is for use on timber/steel doors where conformance to BS EN 1125 or BS EN 179 is required.



Key Benefits

- Suitable for use on aluminium, timber and steel doors
- Non-handed
- Facility to change duty from fail safe to fail secure and vice versa
- The 7108 series have flat faceplates for mounting in the frame of a single action, single leaf aluminium doors
- 907kg holding force (2000lbs)
- Electrical actuation unlocks the strike jaw, releasing the latchbolt so the door can be opened without operating the latch itself
- Ramp jaw to meet release forces of BS EN 1125/BS EN 179
- The 7128 series have square corners to aid installation into timber and steel doors

Standards Conformity

To conform with BS EN 1125: 1997+A1:2001:

The 7108 or 7128 strikes must be used with the 930 or 940 Series Exit Device

To conform with BS EN 179: 1998 +A1:2001:

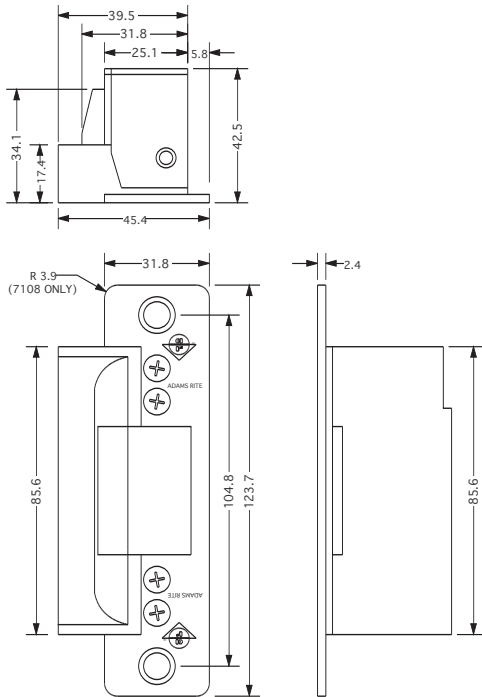
The 7108 or 7128 strikes must be used with the:
4710 Heavy Duty Deadlatch or 4720ANSI Deadlatch and
4591 Push Paddle Handle
4750 Heavy Duty Deadlatch and 4596 Push Paddle Handle

Related Hardware

RiteKey Keypad ~ Push-to-Exit Button ~ Power Supply Unit ~ 4710 Heavy Duty Deadlatch ~ 4720ANSI Deadlatch ~ 4750 Deadlatch ~ 4591 Paddle Handle ~ 4596 Europrofile Paddle Handle ~ 930 Exit Device ~ 940 Exit Device

Note: For out of hours security specify the Sentinel 6 Deadlock in conjunction with the electric strike/latch combination.

Dimensions



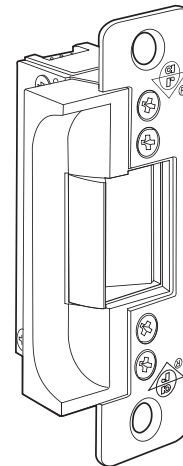
Specifications

Current Draw:	12vAC=1.48A, 12vDC=0.332A, 24vAC=0.74A, 24vDC=0.19A (nominal). DC intermittent and continuous units are silent, AC intermittent units "buzz" on operation.
Voltage Tolerance:	±10%.
Powered By:	Internal solenoid.
Monitoring:	(Optional) Single: Latch only, Double: Latch & solenoid.
Duty:	Fail-safe or fail-secure (convertible without additional parts). DC power supply required for fail-safe operation.
Jaw Strength:	907kg (2000lbs).
Case:	85.6mm x 31.8mm x 42.5mm. Zinc aluminium alloy.
Mechanism:	Stainless steel internal blocking mechanism.
Strike Opening:	36.5mm x 15.9mm x 12.7mm. Architectural bronze bolt retainer jaw.
Door Gap:	Minimum 3mm (1/8"), operational door gap 3-5mm.
Faceplate:	Aluminium. 123.7mm x 31.8mm. Flat. (7108 has radius corners, 7128 has square corners).
Finishes:	See ordering codes.
Subcover:	Basic subcover lip will suit a 44.45mm (1 3/4") thick door that closes flush with jamb edge. For extended bolt-on subcovers see ordering codes.
Standards:	ANSI/BHMA 156.5 Grade 1. UL Listed for burglary resistance.

Ordering Codes Matrix

7108 - 3 1 0 - 628 - 1

Model Number	7108 for 940 Exit Device	7128 for 930 Exit Device
Voltage	3 12 volt	5 24 volt
Current and Duty	1 DC Continuous or intermittent	4 AC Intermittent (fail-secure only)
Features	0 Standard/Fail-Secure	5 Standard/Fail-Safe
	7 Monitored/Fail-Safe	9 Monitored/Fail-Secure
Finish	628 Satin Aluminium	313 Bronze
	335 Black	
Options	1 Single Monitoring (Latch only)	2 Double Monitoring (Latch and Solenoid)



Subcover Extension Codes (order separately)

Order Code	Dimension*	Order Code	Dimension*
91-0173-01	38.1mm (1.50")	91-0173-08	60.5mm (2.38")
91-0173-02	41.4mm (1.63")	91-0173-09	63.5mm (2.50")
91-0173-03	44.5mm (1.75")	91-0173-10	66.8mm (2.63")
91-0173-04	47.8mm (1.88")	91-0173-11	69.9mm (2.75")
91-0173-05	50.8mm (2.00")	91-0173-12	73.2mm (2.88")
91-0173-06	54.1mm (2.13")	91-0173-13	76.2mm (3.00")
91-0173-07	57.2mm (2.25")		

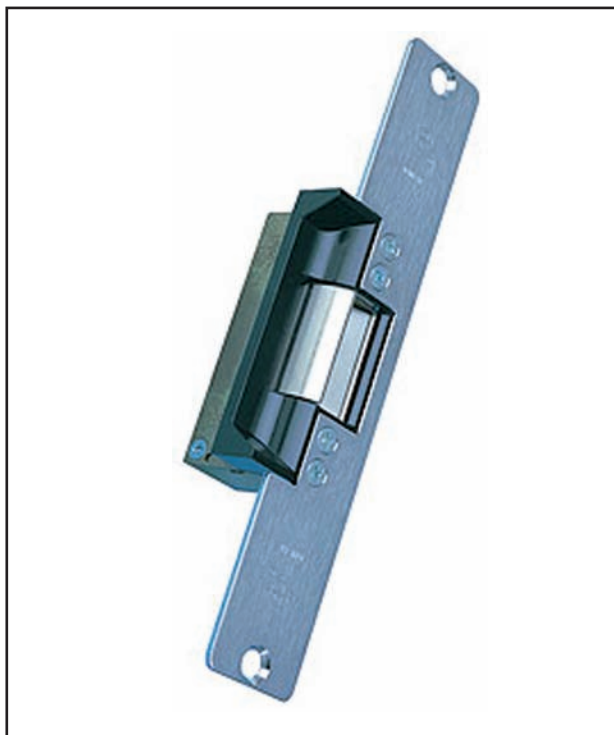
*Dimension from door centreline to jamb edge.

7110 and 7111

Electric Strike for Single or Double Leaf Timber or Steel Doors



The Adams Rite 7100 Series is for remote use access control of any door equipped with Adams Rite 4700 series (or similar) deadlatch. The 7110 and 7111 electric strike have flat faceplates for mounting in the frame or the inactive leaf of a pair of doors.



Key Benefits

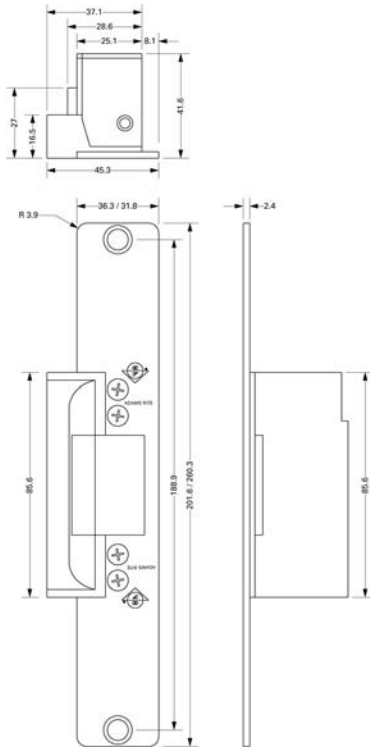
- Suitable for use on timber and steel doors
- The compact mechanism fits into a timber or steel jamb section as shallow as 44.45mm
- Electrical actuation unlocks the strike jaw, releasing the latchbolt so the door can be opened without operating the latch itself
- The 7110 has a 201mm long faceplate and the 7111 has a 260mm faceplate for installation into timber and steel doors
- 907kg holding force (2000lbs)
- Facility to change duty from fail-safe to fail-secure and vice-versa
- Non-handed

Related Hardware

RiteKey Keypad ~ Push-to-Exit Button ~ Power Supply Unit ~ 4720ANSI Deadlatch

Note: For out of hours security specify the Sentinel 6 Deadlock in conjunction with the electric strike/latch combination.

Dimensions



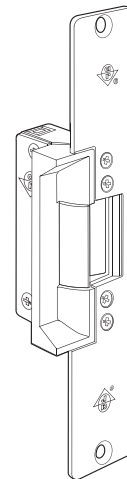
Specifications

Current Draw:	12vAC=1.48A, 12vDC=0.332A, 24vAC=0.74A, 24vDC=0.19A (nominal). DC intermittent and continuous units are silent, AC intermittent units "buzz" on operation.
Voltage Tolerance:	±10%.
Powered By:	Internal solenoid.
Monitoring:	(Optional) Single: Latch only, Double: Latch & solenoid.
Duty:	Fail-safe or fail-secure (convertible without additional parts). DC power supply required for fail-safe operation.
Jaw Strength:	907kg (2000lbs).
Case:	85.6mm x 28.6mm x 41.6mm. Zinc aluminium alloy.
Mechanism:	Stainless steel internal blocking mechanism.
Strike Opening:	36.5mm x 15.9mm x 12.7mm. Stainless steel bolt retainer jaw.
Door Gap:	Minimum 3mm (1/8"), operational door gap 3-5mm.
Faceplate:	Aluminium. 201.6mm x 36.3mm (7110), 260.3mm x 36.3mm (7111).
Finishes:	See ordering codes.
Subcover:	Basic subcover lip will suit a 44.45mm (1 3/4") thick door that closes flush with jamb edge. For extended bolt-on subcovers see ordering codes.
Standards:	ANSI/BHMA 156.5 Grade 1. UL Listed for burglary resistance.

Ordering Codes Matrix

7110 - 3 1 0 - 652 - 1

Model Number	7110 8" Faceplate	7111 10" Faceplate
Voltage	3 12 volt	5 24 volt
Current and Duty	1 DC Continuous or intermittent	4 AC Intermittent (fail-secure only)
Features	0 Standard/Fail-Secure	5 Standard/Fail-Safe
	7 Monitored/Fail-Safe	9 Monitored/Fail-Secure
Finish	652 Satin Chrome	
Options	1 Single Monitoring (Latch only)	2 Double Monitoring (Latch and Solenoid)



Subcover Extension Codes (order separately)

Order Code	Dimension*	Order Code	Dimension*
91-0171-01	38.1mm (1.50")	91-0171-08	60.5mm (2.38")
91-0171-02	41.4mm (1.63")	91-0171-09	63.5mm (2.50")
91-0171-03	44.5mm (1.75")	91-0171-10	66.8mm (2.63")
91-0171-04	47.8mm (1.88")	91-0171-11	69.9mm (2.75")
91-0171-05	50.8mm (2.00")	91-0171-12	73.2mm (2.88")
91-0171-06	54.1mm (2.13")	91-0171-13	76.2mm (3.00")
91-0171-07	57.2mm (2.25")		

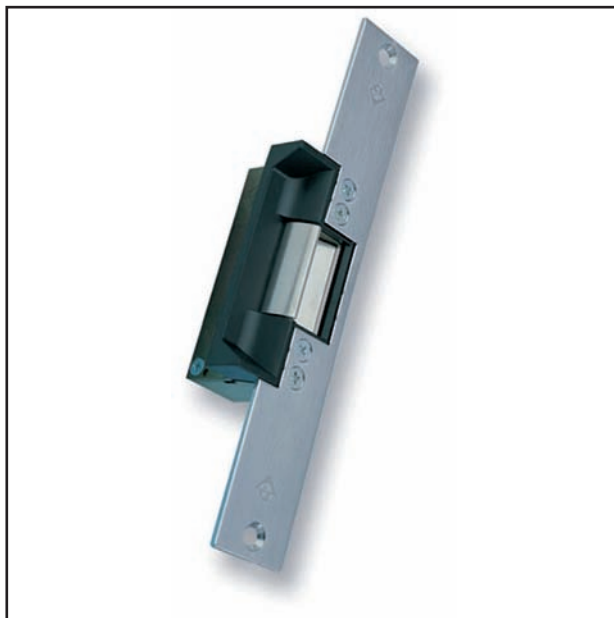
*Dimension from door centreline to jamb edge.

7113

Electric Strike for Single or Double Leaf Timber or Steel Doors



The Adams Rite 7100 Series is for remote use access control of any door equipped with Adams Rite 4700 series (or similar) deadlatch



Key Benefits

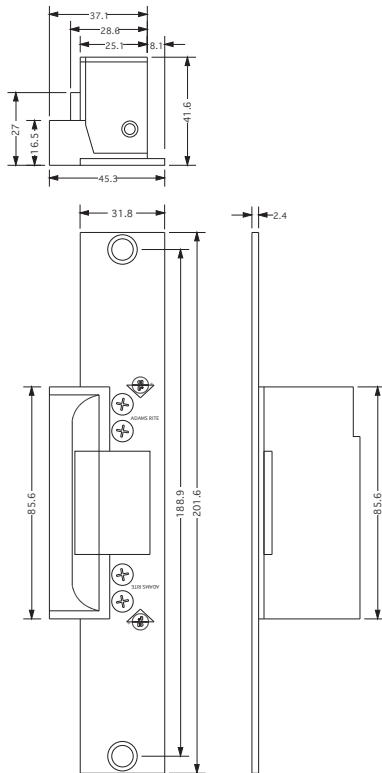
- Suitable for use on timber and steel doors
- Non-handed
- Facility to change duty from fail-safe to fail secure and vice versa
- The 7113 features a narrower faceplate than the 7110 series and is particularly suited to 44mm thick timber doors
- 907kg holding force (2000lbs)
- The 7113 strike can be mounted in the frame or the inactive leaf of a pair of doors and a modified sub cover is available as an option for applications using a T - bar on the door
- Electrical actuation unlocks the strike jaw, releasing the latchbolt so the door can be opened without operating the latch itself

Related Hardware

RiteKey Keypad ~ Push-to-Exit Button ~ Power Supply Unit ~
4720ANSI Deadlatch

Note: For out of hours security specify the Sentinel 6 Deadlock in conjunction with the electric strike/latch combination.

Dimensions



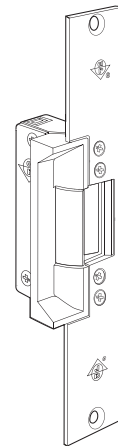
Specifications

Current Draw:	12vAC=1.48A, 12vDC=0.332A, 24vAC=0.74A, 24vDC=0.19A (nominal). DC intermittent and continuous units are silent, AC intermittent units "buzz" on operation.
Voltage Tolerance:	±10%.
Powered By:	Internal solenoid.
Monitoring:	(Optional) Single: Latch only, Double: Latch & solenoid.
Duty:	Fail-safe or fail-secure (convertible without additional parts). DC power supply required for fail-safe operation. 907kg (2000lbs).
Jaw Strength:	907kg (2000lbs).
Case:	85.6mm x 28.6mm x 41.6mm. Zinc aluminium alloy.
Mechanism:	Stainless steel internal blocking mechanism.
Strike Opening:	36.5mm x 15.9mm x 12.7mm. Stainless steel bolt retainer jaw.
Door Gap:	Minimum 3mm (1/8"), operational door gap 3-5mm.
Faceplate:	Steel. 201.6mm x 31.8mm. Flat, square cornered.
Finishes:	Satin chrome (other finishes may be available on request).
Subcover:	Basic subcover lip will suit a 44.45mm (1 3/4") thick door that closes flush with jamb edge. For extended bolt-on subcovers see ordering codes.
Standards:	ANSI/BHMA 156.5 Grade 1. UL Listed for burglary resistance.

Ordering Codes Matrix

7113 - 3 1 0 - 652 - 1

Model Number	7113 8" Narrow Faceplate
Voltage	3 12 volt 5 24 volt
Current and Duty	1 DC Continuous or intermittent 4 AC Intermittent (fail-secure only)
Features	0 Standard/Fail-Secure 5 Standard/Fail-Safe 7 Monitored/Fail-Safe 9 Monitored/Fail-Secure
Finish	652 Satin Chrome
Options	1 Single Monitoring (Latch only) 2 Double Monitoring (Latch and Solenoid)



Subcover Extension Codes (order separately)

Order Code	Dimension*	Order Code	Dimension*
91-0171-01	38.1mm (1.50")	91-0171-08	60.5mm (2.38")
91-0171-02	41.4mm (1.63")	91-0171-09	63.5mm (2.50")
91-0171-03	44.5mm (1.75")	91-0171-10	66.8mm (2.63")
91-0171-04	47.8mm (1.88")	91-0171-11	69.9mm (2.75")
91-0171-05	50.8mm (2.00")	91-0171-12	73.2mm (2.88")
91-0171-06	54.1mm (2.13")	91-0171-13	76.2mm (3.00")
91-0171-07	57.2mm (2.25")		

*Dimension from door centreline to jamb edge.

7130

Electric Strike for MS[®] 1850 replacement - Aluminium Doors



The Adams Rite 7100 Series is for remote use access control of any door equipped with Adams Rite 4700 series (or similar) deadlatch. The 7130 series have a large faceplate to cover the strike opening when converting from an MSr pivoted - bolt deadlock to a deadlatch.



Key Benefits

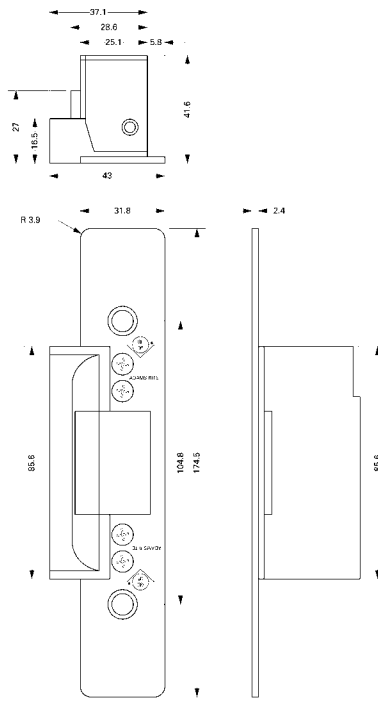
- Suitable for use on aluminium doors
- Jaw Strength 907kg (2,000 lbs)
- Facility to change duty from fail-safe to fail secure and vice versa
- Non-handed
- Electrical actuation unlocks the strike jaw, releasing the latchbolt so the door can be opened without operating the latch itself
- Designed for mounting in the frame of a single action single leaf doors

Related Hardware

RiteKey Keypad ~ Push-to-Exit Button ~ Power Supply Unit ~
4710 Deadlatch ~ 4750 Deadlatch

Note: For out of hours security specify the Sentinel 6 Deadlock in conjunction with the electric strike/latch combination.

Dimensions



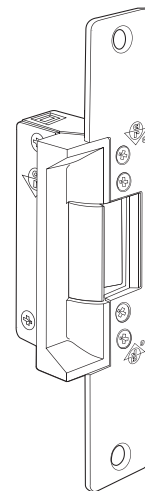
Specifications

Current Draw:	12vAC=1.48A, 12vDC=0.332A 24vAC=0.74A, 24vDC=0.19A (nominal). DC intermittent and continuous units are silent, AC intermittent units "buzz" on operation.
Voltage Tolerance:	±10%.
Powered By:	Internal solenoid.
Monitoring:	(Optional) Single: Latch only, Double: Latch & solenoid.
Duty:	Fail-safe or fail-secure (convertible without additional parts). DC power supply required for fail-safe operation. 907kg (2000lbs).
Jaw Strength:	907kg (2000lbs).
Case:	85.6mm x 28.6mm x 41.6mm. Zinc aluminium alloy.
Mechanism:	Stainless steel internal blocking mechanism.
Strike Opening:	36.5mm x 15.9mm x 12.7mm. Stainless steel bolt retainer jaw.
Door Gap:	Minimum 3mm (1/8"), operational door gap 3-5mm.
Faceplate:	Aluminium. 174.5mm x 31.8mm. Flat.
Finishes:	See ordering codes.
Subcover:	Basic subcover lip will suit a 44.45mm (1 3/4") thick door that closes flush with jamb edge. For extended bolt-on subcovers see ordering codes (7130 only).
Standards:	ANSI/BHMA 156.5 Grade 1. UL Listed for burglary resistance.

Ordering Codes Matrix

7130 - 3 1 0 - 628 - 1

Model Number	7130 Flat	7131 Radius
Voltage	3 12 volt	5 24 volt
Current and Duty	1 DC Continuous or intermittent	4 AC Intermittent (fail-secure only)
Features	0 Standard/Fail-Secure	5 Standard/Fail-Safe
	7 Monitored/Fail-Safe	9 Monitored/Fail-Secure
Finish	628 Satin Aluminium	
Options	1 Single Monitoring (Latch only)	2 Double Monitoring (Latch and Solenoid)



Subcover Extension Codes (order separately)

Order Code	Dimension*	Order Code	Dimension*
91-0171-01	38.1mm (1.50")	91-0171-08	60.5mm (2.38")
91-0171-02	41.4mm (1.63")	91-0171-09	63.5mm (2.50")
91-0171-03	44.5mm (1.75")	91-0171-10	66.8mm (2.63")
91-0171-04	47.8mm (1.88")	91-0171-11	69.9mm (2.75")
91-0171-05	50.8mm (2.00")	91-0171-12	73.2mm (2.88")
91-0171-06	54.1mm (2.13")	91-0171-13	76.2mm (3.00")
91-0171-07	57.2mm (2.25")		

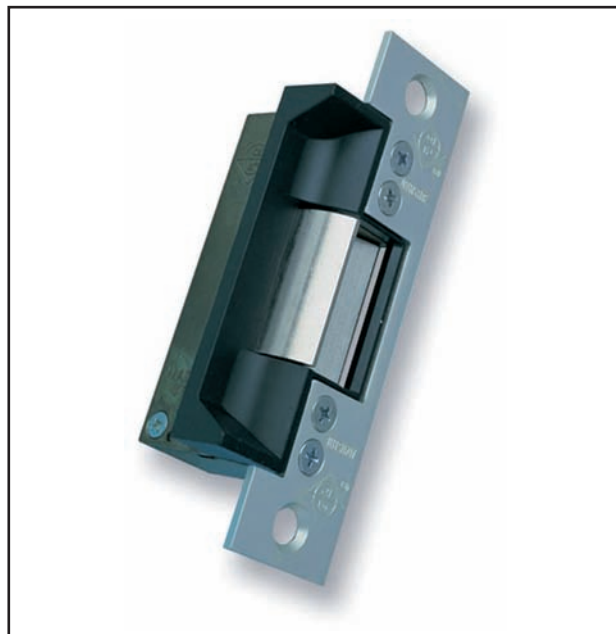
*Dimension from door centreline to jamb edge.

7140

Electric Strike for Single or Double Leaf Steel Doors



The Adams Rite 7100 Series is for remote use access control of any door equipped with Adams Rite 4700 series (or similar) deadlatch.



Key Benefits

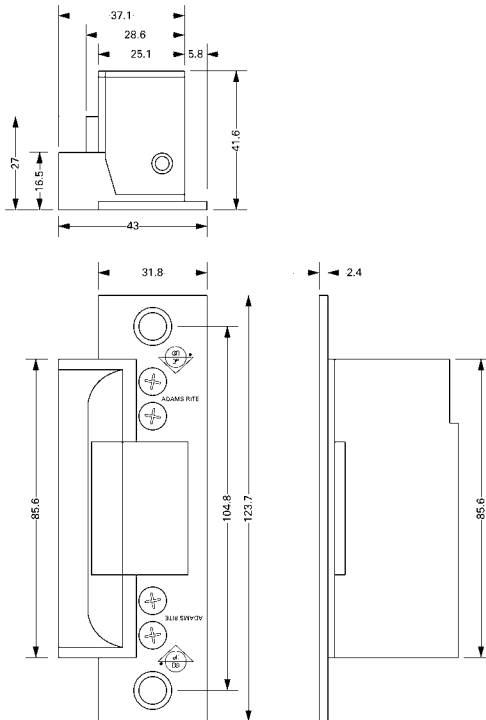
- Suitable for use on steel doors
- Non-handed
- Facility to change duty from fail-safe to fail secure and vice versa
- The compact mechanism fits into a jamb section as shallow as 44.45mm
- 907kg holding force (2000lbs)
- Flat faceplate
- Electrical actuation unlocks the strike jaw, releasing the latchbolt so the door can be opened without operating the latch itself
- Faceplate has square corners to aid installation into steel doors

Related Hardware

RiteKey Keypad ~ Push-to-Exit Button ~ Power Supply Unit ~ 4720ANSI Deadlatch

Note: For out of hours security specify the Sentinel 6 Deadlock in conjunction with the electric strike/latch combination.

Dimensions



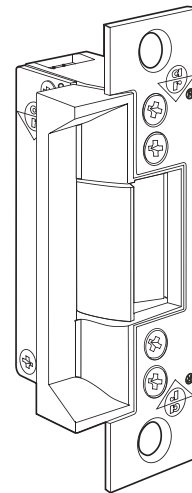
Specifications

Current Draw:	12vAC=1.48A, 12vDC=0.332A, 24vAC=0.74A, 24vDC=0.19A (nominal). DC intermittent and continuous units are silent, AC intermittent units "buzz" on operation.
Voltage Tolerance:	±10%.
Powered By:	Internal solenoid.
Monitoring:	(Optional) Single: Latch only, Double: Latch & solenoid.
Duty:	Fail-safe or fail-secure (convertible without additional parts). DC power supply required for fail-safe operation.
Jaw Strength:	907kg (2000lbs).
Case:	85.6mm x 28.6mm x 41.6mm. Zinc aluminium alloy.
Mechanism:	Stainless steel internal blocking mechanism.
Strike Opening:	36.5mm x 15.9mm x 12.7mm. Stainless steel bolt retainer jaw.
Door Gap:	Minimum 3mm (1/8"), operational door gap 3-5mm.
Faceplate:	Aluminium. 123.7mm x 31.8mm. Flat.
Finishes:	See ordering codes.
Subcover:	Basic subcover lip will suit a 44.45mm (1 3/4") thick door that closes flush with jamb edge. For extended bolt-on subcovers see ordering codes.
Standards:	ANSI/BHMA 156.5 Grade 1. UL Listed for burglary resistance.

Ordering Codes Matrix

7140 - 3 1 0 - 628 - 1

Model Number	7140
Voltage	3 12 volt 5 24 volt
Current and Duty	1 DC Continuous or intermittent 4 AC Intermittent (fail-secure only)
Features	0 Standard/Fail-Secure 5 Standard/Fail-Safe 7 Monitored/Fail-Safe 9 Monitored/Fail-Secure
Finish	628 Satin Aluminium 313 Bronze 335 Black
Options	1 Single Monitoring (Latch only) 2 Double Monitoring (Latch and Solenoid)



Subcover Extension Codes (order separately)

Order Code	Dimension*	Order Code	Dimension*
91-0171-01	38.1mm (1.50")	91-0171-08	60.5mm (2.38")
91-0171-02	41.4mm (1.63")	91-0171-09	63.5mm (2.50")
91-0171-03	44.5mm (1.75")	91-0171-10	66.8mm (2.63")
91-0171-04	47.8mm (1.88")	91-0171-11	69.9mm (2.75")
91-0171-05	50.8mm (2.00")	91-0171-12	73.2mm (2.88")
91-0171-06	54.1mm (2.13")	91-0171-13	76.2mm (3.00")
91-0171-07	57.2mm (2.25")		

*Dimension from door centreline to jamb edge.

7160

Electric Strike for Single Leaf Aluminium Doors



The Adams Rite 7100 Series is for remote use access control of any door equipped with Adams Rite 4700 series (or similar) deadlatch. The 7160 has a flat faceplate and will accommodate a 19mm latch throw.



Key Benefits

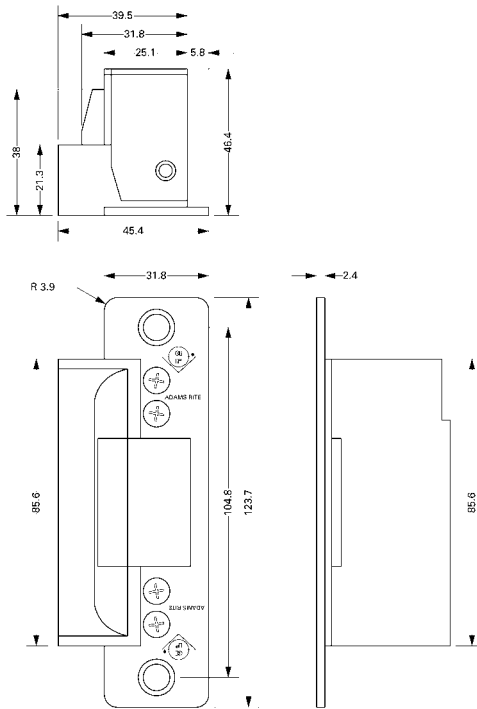
- Suitable for use on aluminium doors
- Will accommodate a latch throw of up to 19mm
- This compact mechanism fits into a hollow jamb section as shallow as 47mm
- Facility to change duty from fail-safe to fail-secure and vice-versa
- 907kg holding force (2000lbs)
- Flat faceplate for installation into the frame of a single leaf door
- Round corners of faceplate to aid installation into aluminium doors
- Non-handed
- Electrical actuation unlocks the strike jaw, releasing the latchbolt so the door can be opened without operating the latch itself

Related Hardware

RiteKey Keypad ~ Push-to-Exit Button ~ Power Supply Unit

Note: For out of hours security specify the Sentinel 6 Deadlock in conjunction with the electric strike/latch combination.

Dimensions



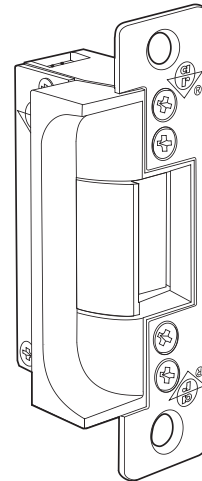
Specifications

Current Draw:	12vAC=1.48A, 12vDC=0.332A, 24vAC=0.74A, 24vDC=0.19A (nominal). DC intermittent and continuous units are silent, AC intermittent units "buzz" on operation.
Voltage Tolerance:	±10%.
Powered By:	Internal solenoid.
Monitoring:	(Optional) Single: Latch only, Double: Latch & solenoid.
Duty:	Fail-safe or fail-secure (convertible without additional parts). DC power supply required for fail-safe operation. 907kg (2000lbs).
Jaw Strength:	907kg (2000lbs).
Case:	85.6mm x 31.8mm x 46.4mm. Zinc aluminium alloy.
Mechanism:	Stainless steel internal blocking mechanism.
Strike Opening:	36.5mm x 19.1mm x 19.1mm. Stainless steel bolt retainer jaw.
Door Gap:	Minimum 3mm (1/8"), operational door gap 3-5mm.
Faceplate:	Aluminium. 123.7mm x 31.8mm. Flat.
Finishes:	See ordering codes.
Subcover:	Basic subcover lip will suit a 44.45mm (1 3/4") thick door that closes flush with jamb edge. For extended bolt-on subcovers see ordering codes.
Standards:	ANSI/BHMA 156.5 Grade 1. UL Listed for burglary resistance.

Ordering Codes Matrix

7160 - 3 1 0 - 628 - 1

Model Number	7160
Voltage	3 12 volt 5 24 volt
Current and Duty	1 DC Continuous or intermittent 4 AC Intermittent (fail-secure only)
Features	0 Standard/Fail-Secure 5 Standard/Fail-Safe 7 Monitored/Fail-Safe 9 Monitored/Fail-Secure
Finish	628 Satin Aluminium 313 Bronze 335 Black
Options	1 Single Monitoring (Latch only) 2 Double Monitoring (Latch and Solenoid)



Subcover Extension Codes (order separately)

Order Code	Dimension*	Order Code	Dimension*
91-0172-01	38.1mm (1.50")	91-0172-08	60.5mm (2.38")
91-0172-02	41.4mm (1.63")	91-0172-09	63.5mm (2.50")
91-0172-03	44.5mm (1.75")	91-0172-10	66.8mm (2.63")
91-0172-04	47.8mm (1.88")	91-0172-11	69.9mm (2.75")
91-0172-05	50.8mm (2.00")	91-0172-12	73.2mm (2.88")
91-0172-06	54.1mm (2.13")	91-0172-13	76.2mm (3.00")
91-0172-07	57.2mm (2.25")		

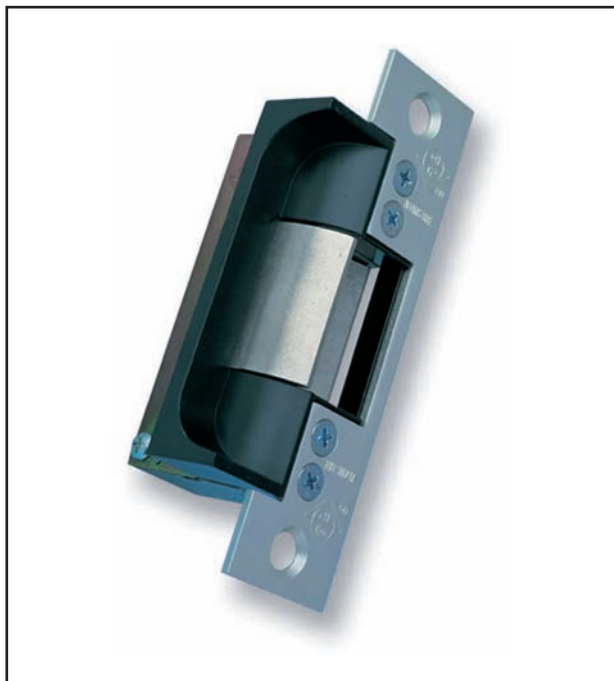
*Dimension from door centreline to jamb edge.

7170

Electric Strike for Single or Double Leaf Timber or Steel Doors



The Adams Rite 7100 Series is for remote use access control of any door equipped with Adams Rite 4700 series (or similar) deadlatch. The 7170 has a flat faceplate and will accommodate a 19mm latch throw.



Key Benefits

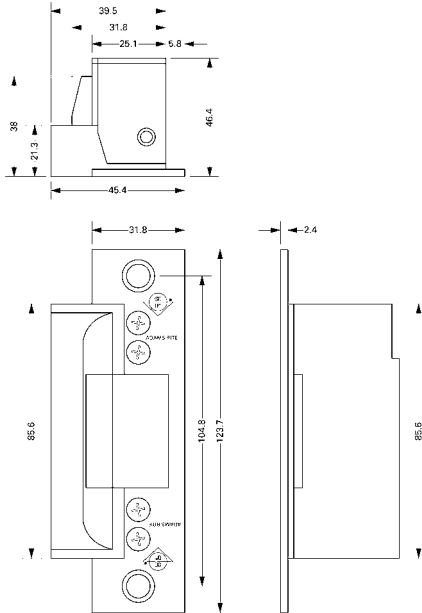
- Suitable for use on timber and steel doors
- Facility to change duty from fail-safe to fail secure and vice versa
- Electrical actuation unlocks the strike jaw, releasing the latchbolt so the door can be opened without operating the latch itself
- Will accommodate a latch throw of up to 19.05mm
- The 7170 has square corners to aid installation into timber and steel doors
- 907kg holding force (2000lbs)
- Non-handed

Related Hardware

RiteKey Keypad ~ Push-to-Exit Button ~ Power Supply Unit

Note: For out of hours security specify the Sentinel 6 Deadlock in conjunction with the electric strike/latch combination.

Dimensions



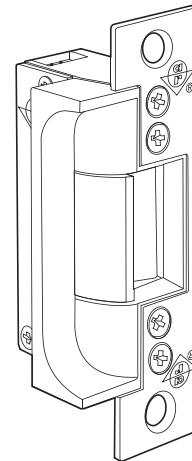
Specifications

Current Draw:	12vAC=1.48A, 12vDC=0.332A 24vAC=0.74A, 24vDC=0.19A (nominal). DC intermittent and continuous units are silent, AC intermittent units "buzz" on operation.
Voltage Tolerance:	±10%.
Powered By:	Internal solenoid.
Monitoring:	(Optional) Single: Latch only, Double: Latch & solenoid.
Duty:	Fail-safe or fail-secure (convertible without additional parts). DC power supply required for fail-safe operation.
Jaw Strength:	907kg (2000lbs).
Case:	85.6mm x 31.8mm x 41.6mm. Zinc aluminium alloy.
Mechanism:	Stainless steel internal blocking mechanism.
Strike Opening:	36.5mm x 19.1mm x 19.1mm. Stainless steel bolt retainer jaw.
Door Gap:	Minimum 3mm (1/8"), operational door gap 3-5mm.
Faceplate:	Aluminium. 123.7mm x 31.8mm (7170); 260.3mm x 36.3mm (7171); 201.6mm x 36.3mm (7172); 201.6mm x 31.8mm (7173). Flat.
Finishes:	See ordering codes.
Subcover:	Basic subcover lip will suit a 44.45mm (1 3/4") thick door. For extended bolt-on subcovers see ordering codes.
Standards:	ANSI/BHMA 156.5 Grade 1. UL Listed for burglary resistance.

Ordering Codes Matrix

7170 - 3 1 0 - 628 - 1

Model Number	
7170 Flat	_____
7171 10" Faceplate	_____
7172 8" Faceplate	_____
7173 8" Narrow Faceplate	_____
Voltage	
3 12 volt	_____
5 24 volt	_____
Current and Duty	
1 DC Continuous or intermittent	_____
4 AC Intermittent (fail-secure only)	_____
Features	
0 Standard/Fail-Secure	_____
5 Standard/Fail-Safe	_____
7 Monitored/Fail-Safe	_____
9 Monitored/Fail-Secure	_____
Finish	
628 Satin Aluminium (7170 only)	_____
313 Bronze (7170 only)	_____
335 Black (7170 only)	_____
652 Satin Chrome (7171/7172/7173)	_____
Options	
1 Single Monitoring (Latch only)	_____
2 Double Monitoring (Latch and Solenoid)	_____



Subcover Extension Codes (order separately)

Order Code	Dimension*	Order Code	Dimension*
91-0172-01	38.1mm (1.50")	91-0172-08	60.5mm (2.38")
91-0172-02	41.4mm (1.63")	91-0172-09	63.5mm (2.50")
91-0172-03	44.5mm (1.75")	91-0172-10	66.8mm (2.63")
91-0172-04	47.8mm (1.88")	91-0172-11	69.9mm (2.75")
91-0172-05	50.8mm (2.00")	91-0172-12	73.2mm (2.88")
91-0172-06	54.1mm (2.13")	91-0172-13	76.2mm (3.00")
91-0172-07	57.2mm (2.25")		

*Dimension from door centreline to jamb edge.

7181

Electric Strike with Steel Wraparound Faceplate (for Timber)



The Adams Rite 7100 Series is for remote use access control of any door equipped with Adams Rite 4700 series (or similar) deadlatch.

The design of the steel wraparound faceplate helps provide additional protection to the timber door frame in the area of the electric strike.



Key Benefits

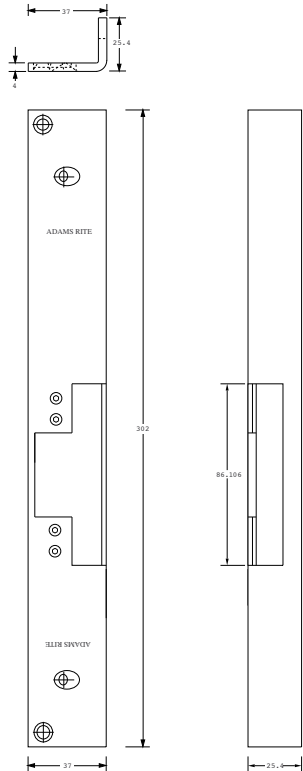
- Suitable for use on timber doors
- Angled fixing points to increase resistance against levering attack
- Facility to change duty from fail-safe to fail-secure and vice-versa
- Electrical actuation unlocks the strike jaw, releasing the latchbolt so the door can be opened without operating the latch itself
- The sub cover is flush with the outer face of the steel faceplate and is therefore ideal in situations where a 'T-Bar' protection strip is fitted
- Non-handed
- 907kg holding force (2000lbs)

Related Hardware

RiteKey Keypad ~ Push-to-Exit Button) ~ Power Supply Unit ~ 4720 Deadlatch

Note: For out of hours security specify the Sentinel 6 Deadlock in conjunction with electric strike/latch combination.

Dimensions



Specifications

Current Draw:	12vAC=1.48A, 12vDC=0.37A, 24vAC=0.74, 24vDC=0.19A (nominal). DC intermittent and continuous units are silent, AC intermittent units "buzz" on operation.
Voltage Tolerance:	±10%.
Powered By:	Internal solenoid.
Monitoring:	(Optional) Single: Latch only, Double: Latch & solenoid.
Duty:	Fail-safe or fail secure (convertible without additional parts). DC power supply required for fail-safe operation.
Jaw Strength:	907kg (2000lbs).
Case:	85.6mm x 28.6mm x 41.7mm Zinc aluminium alloy.
Mechanism:	Stainless steel internal blocking mechanism.
Strike Opening:	36.5mm x 15.9mm x 12.7mm. Stainless steel bolt retainer jaw.
Door Gap:	Minimum 3mm (1/8"), operational door gap 3-5mm.
Faceplate:	Steel armoured forend/faceplate. 302mm x 37mm x 25.4mm return (all models). Flat.
Finish:	Satin nickel plate on steel.
Subcover:	The subcover on the 7181 has been designed to suit most 'T' bar protection strip applications used on certain security doors.
Standards:	ANSI/BHMA 156.5 Grade 1. UL Listed for burglary resistance.
Note:	Product is non-handed but jaw is offset from horizontal centre line when reversed. Product fixings for door frames not included.

Ordering Codes Matrix

7181 - 3 1 0 - 646 - 1

Model Number

7181 Flat

Voltage

3 12 volt

5 24 volt

Current and Duty

1 DC Continuous
or intermittent

4 AC Intermittent (fail-secure only)

Features

0 Standard/Fail-Secure

5 Standard/Fail-Safe

7 Monitored/Fail-Safe

9 Monitored/Fail-Secure

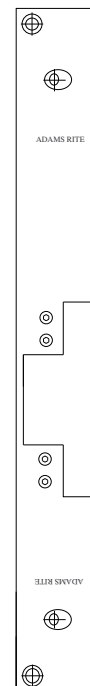
Finish

646 Satin Nickel

Options

1 Single Monitoring (Latch only)

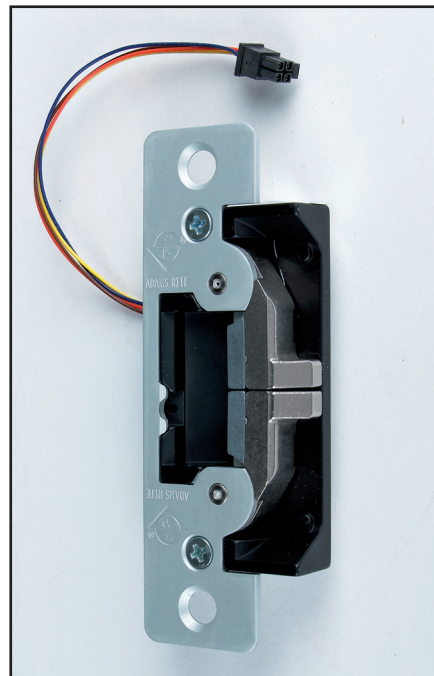
2 Double Monitoring (Latch and Solenoid)



7400 - 7401 ULTRALINE

Premium Electric Strike

The ULTRALINE premium electric strike range has features that are unmatched in the industry. The innovative and compact robust stainless steel split-jaw design maintains the high level of security expected from Adams Rite while enabling release electrically with over 15kg of sideload pressure.



Key Benefits

- **Monitoring option**
- **Opens electrically with over 15kg of sideload pressure**
- **Compact depth – 27mm overall**
- **1080kg holding force**
- **Single solenoid operates at 12/24V AC/DC**
- **Field selectable fail safe or fail secure on strike body**
- **Adjustable jaw**
- **Low current draw**
- **Retrofits all previous Adams Rite strikes**
- **Tested to 500,000 cycles**
- **3 years warranty**
- **Requires half the force to open compared with 7100, aiding compliance with Approved Doc M requirements**

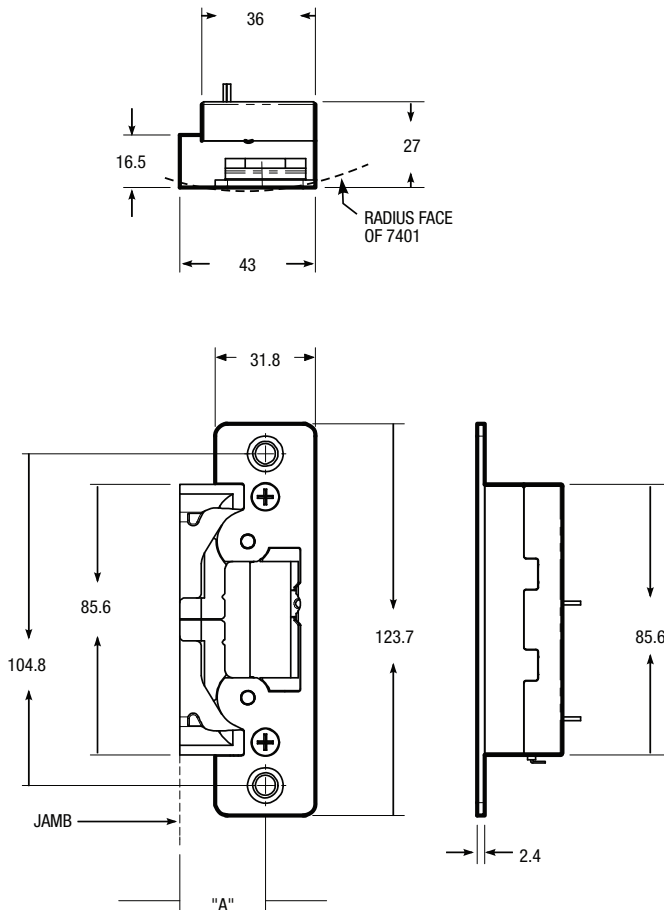
Related Hardware

4710 Deadlatch ~ 4750 Deadlatch ~ Ritekey keypad ~
Push to Exit Button ~ Power Supply Unit

Note: For out of hours security specify the Sentinel 6 Deadlock in conjunction with the electric strike/latch combination.
The 7400 range is not currently suitable for use in applications where compliance with EN179 or EN1125 is required.

Dimensions

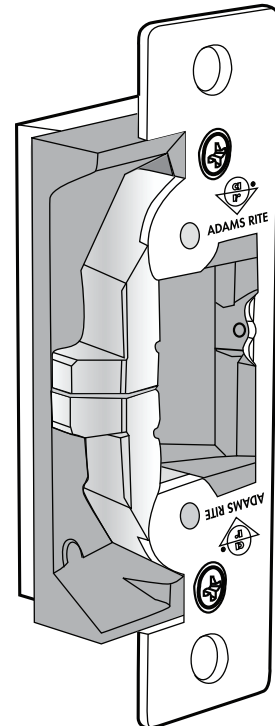
MILLIMETERS
Nominal, subject of tolerance extremes



STANDARD UNIT FITS DIM "A" 27mm
MOUNTING BACKSETS FURNISHED

Specifications

Current draw:	12v AC=0.16A, 12v DC=0.44A, 24v AC=0.08A, 24v DC=0.23A DC intermittent and continuous units are silent, AC intermittent units 'buzz' on operation
Voltage Tolerance:	+/- 10%
Powered by:	Internal solenoid
Monitoring:	(optional) Double latch and solenoid.
Duty:	Fail safe or fail secure selectable on strike body (supplied in fail secure mode) DC required for fail safe operation
Jaw strength:	1080kg
Case:	85.6mm x 36mm x 27mm Zinc aluminium alloy
Mechanism:	Stainless steel
Strike opening:	36.5mm x 15.9mm (adjustable) x 12.7mm
Door gap:	Minimum 3mm, operational gap 3-5mm
Faceplate:	Flat and radius aluminium: 123.7mm x 31.8mm
Finishes:	628 Satin Anodised
Subcover:	Standard subcover will suit a 44.45mm thick door that closes flush with jamb edge. For extension codes see below
Standards:	ANSI/BHMA 156.5 Grade 1 UL listed for burglary resistance



Ordering Codes

7400-628	ULTRALINE Electric Strike 12/24V AC/DC Flat SAA
7401-628	ULTRALINE Electric Strike 12/24V AC/DC Radius SAA
7400M628	ULTRALINE Electric Strike 12/24v AC/DC Flat Monitored SAA
7401M130	ULTRALINE Electric Strike 12/24v AC/DC Radius Monitored SAA
WDC7400	ULTRALINE 7400 Door Cover
LEK7400-04	ULTRALINE 04 Subcover Extension to suit 47.8mm
LEK7400-05	ULTRALINE 05 Subcover Extension to suit 50mm
LEK7400-06	ULTRALINE 06 Subcover Extension to suit 54.1mm
LEK7400-07	ULTRALINE 07 Subcover Extension to suit 57.2mm
LEK7400-08	ULTRALINE 08 Subcover Extension to suit 60.5mm

7440 ULTRALINE

Premium Electric Strike

The ULTRALINE premium electric strike range has features that are unmatched in the industry. The innovative and compact robust stainless steel split-jaw design maintains the high level of security expected from Adams Rite while enabling release electrically with over 15kg of sideload pressure.



Key Benefits

- **Monitoring option**
- **Opens electrically with over 15kg of sideload pressure**
- **Suitable for use on steel doors**
- **1080kg holding force**
- **Single solenoid operates at 12/24V AC/DC**
- **Field selectable fail safe or fail secure on strike body**
- **Adjustable jaw**
- **Low current draw**
- **Retrofits 7140 Adams Rite strikes**
- **Tested to 500,000 cycles**
- **3 years warranty**
- **Requires half the force to open compared with 7100, aiding compliance with Approved Doc M requirements**

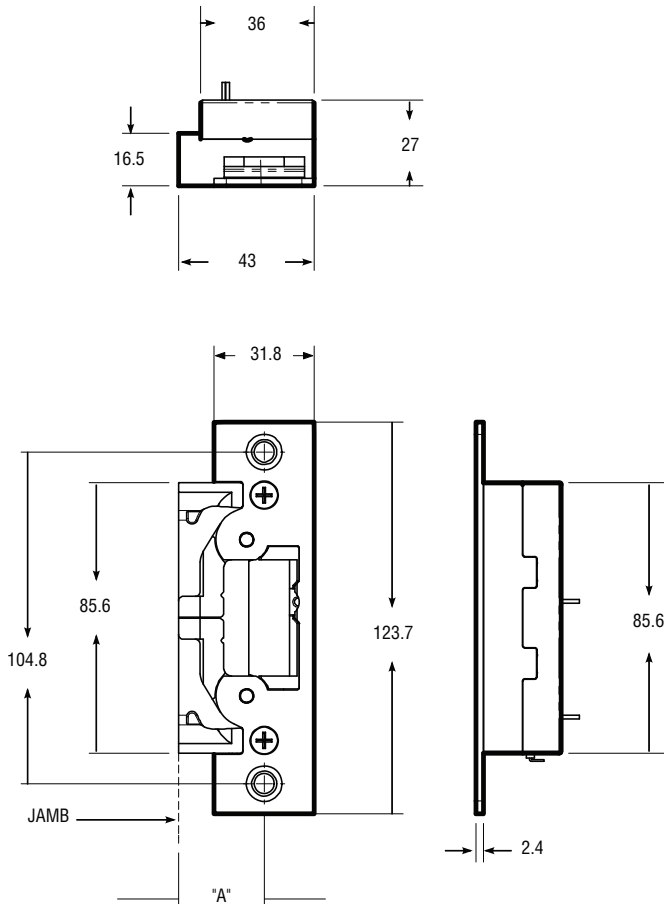
Related Hardware

4710 Deadlatch ~ 4750 Deadlatch ~ Ritekey keypad ~
Push to Exit Button ~ Power Supply Unit

Note: For out of hours security specify the Sentinel 6 Deadlock in conjunction with the electric strike/latch combination.
The 7400 range is not currently suitable for use in applications where compliance with EN179 or EN1125 is required.

Dimensions

MILLIMETERS
Normal, subject of tolerance extremes



STANDARD UNIT FITS DIM "A" 27mm
MOUNTING BACKSETS FURNISHED

Ordering Codes

7440-628	ULTRALINE Electric strike 12/24V AC/DC steel door SAA
7440M628	ULTRALINE Electric strike 12/24V AC/DC monitored steel door SAA
7440M335	ULTRALINE Electric strike 12/24V AC/DC monitored black
7440M313	ULTRALINE Electric strike 12/24V AC/DC monitored dark bronze
WDC7400	ULTRALINE 7400 door cover

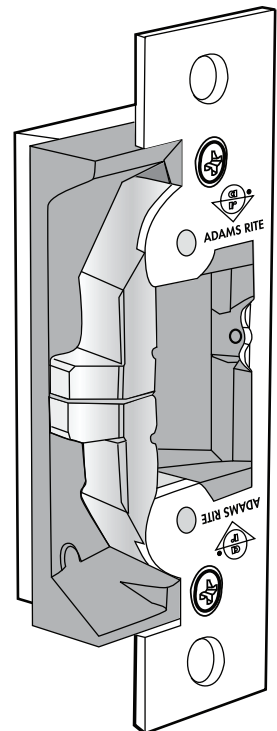
Subcover extension codes (order separately)

Ordering Code	Dimension*
LEK7400-04	47.8mm
LEK7400-05	50.8mm
LEK7400-06	54.1mm
LEK7400-07	57.2mm
LEK7400-08	60.5mm

*Dimension from door centreline to jamb edge.

Specifications

Current draw:	12v AC=0.16A, 12v DC=0.44A, 24v AC=0.08A, 24v DC=0.23A DC intermittent and continuous units are silent, AC intermittent units 'buzz' on operation
Voltage Tolerance:	+/- 10%
Powered by:	Internal solenoid
Monitoring:	(optional) Double latch and solenoid.
Duty:	Fail safe or fail secure selectable on strike body (supplied in fail secure mode) DC required for fail safe operation
Jaw strength:	1080kg
Case:	85.6mm x 36mm x 27mm Zinc aluminium alloy
Mechanism:	Stainless steel
Strike opening:	36.5mm x 15.9mm (adjustable) x 12.7mm
Door gap:	Minimum 3mm, operational gap 3-5mm
Faceplate:	Flat aluminium: 123.7mm x 31.8mm
Finishes:	628 Satin anodised 335 Black anodised 313 Dark bronze anodised
Subcover:	Standard subcover will suit a 44.45mm thick door that closes flush with jamb edge. For extension codes see below
Standards:	ANSI/BHMA 156.5 Grade 1 UL listed for burglary resistance



1391

Electric Solenoid Bolt



The Adams Rite 1391 Electric Solenoid Bolt is used to facilitate the remote access and exit control of aluminium, timber or steel doors.



Key Benefits

- Suitable for use on aluminium, timber and steel doors
- Slimline style allows the lock to be concealed fitted into the door frame
- CE marked
- Stainless steel deadbolt has a 16mm throw
- Suitable for single and double action doors (with positive centring door closers)
- Can be fitted into head or into vertical locking stile
- Surface box available with glass door brackets

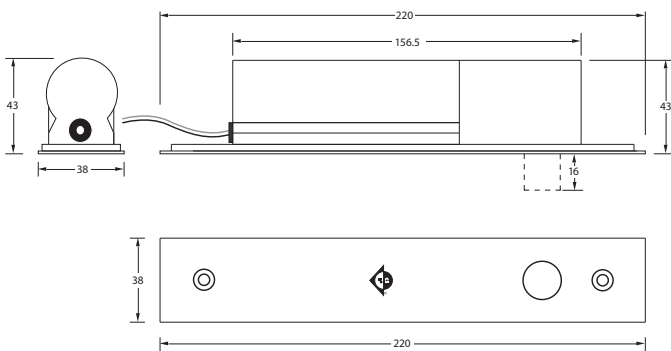
Related Hardware

1391 Surface Box ~ RiteKey Keypad ~ Push-to-Exit Button ~ Power Supply Unit

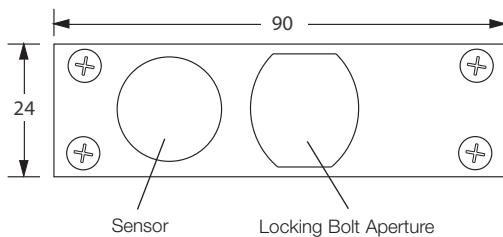
Note: Positive closer required to return doors to correct rest position.
For out of hours security specify the Sentinel 6 Deadlock in conjunction with the magnet.

Dimensions

Cover Plate

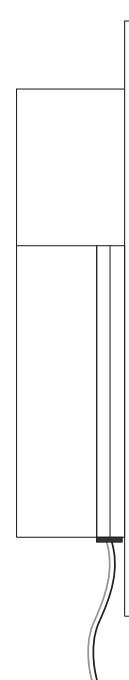


Strike Plate



Specifications

Solenoid Lock:	38mm x 210mm x 43mm.
Cover Plate:	38mm x 220mm x 1mm.
Cover Plate Finish:	Brushed stainless steel.
Strike Plate:	24mm x 90mm (27mm deep for metal doors).
Strike Plate Finish:	Brushed stainless steel.
Nominal Current Draw:	@12vDC locking motion 0.9A maintained locked position 0.3A. @24vDC locking motion 0.5A maintained locked position 0.15A. Voltage tolerance $\pm 15\%$. Continuous duty. Fail safe.
Solenoid:	
Duty:	0, 2.5 or 5 secs. User selectable.
Time Delay:	Door status and lock sensors.
Monitoring:	16mm.
Bolt Throw:	Recommended 3mm.
Door Gap:	Horizontal or vertical mounting.
Installation:	To achieve immediate release, it is important that the release switch breaks the circuit on the positive supply to the solenoid bolt.
Note:	



Ordering Codes

1391-1042	12vDC Fail-Safe, Monitored Solenoid Bolt, Brushed Stainless Steel Finish
1391-2042	24vDC Fail-Safe, Monitored Solenoid Bolt, Brushed Stainless Steel Finish