

# ALUMINIUM CLASS A FIRE-RATED DECKBOARD & ADJUSTABLE SUB-FRAME SYSTEM



## PRODUCT DATA SHEET

info@alfrescofloors.com  
www.alfrescofloors.com

**AR-DECK** is a aluminium decking and support system comprising of the AR-SYSTEM (adjustable pedestals & joists), and deckboards and accessories.

The patented pedestal has an in-built slope correction facility of up to 5% meaning that uneven groundworks or fall requirements are easily accommodated without the need for additional products.

Load spreader plates are available if required.

**AR-DECK** has been developed specifically to meet the requirements for non-combustible materials on balconies and other outdoor spaces, delivered at a competitive price and short lead times.

Available in three standard colours, the non-slip deckboards can also be supplied to match any RAL colour, and with a life expectancy extending beyond 20 years, **AR-DECK** offers a safe, hard-wearing, sustainable solution that will complement any scheme for many years to come.



A2 Fire-Rated



Non-Combustible



Quick Installation



Lightweight



Sustainability



Slip-Resistant



Self Draining



UV Resistant



Chemical Resistant



Maintenance Free



Suitable For Use In  
Temperatures From  
-30°C to +90°C



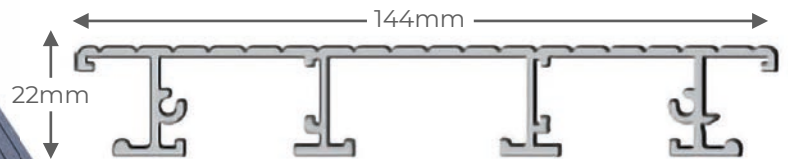
### DECKBOARD TECHNICAL INFORMATION

#### Board Profile and Colours



Black Slate                      Cedar                      Anthracite

Available in 3 standard colours  
Powder coated minimum order 100



**Black Slate** RAL 9005  
**Cedar** RAL 1019  
**Anthracite** RAL 7016  
Any RAL colour with minimum order

#### Technical Data

Weight	9.74kg/m <sup>2</sup> (Boards only)
Material	Aluminium 6063 T6, EN755/9 (recycled and recyclable)
Anti slip pendulum test	BS 7976-2:2002
Rated load capacity	29.7o—R12 (Safe), DIN 51130:2014
Fire classification	<b>A2FL-s1</b> , EN 13501-1:2018
Drainage	Complies with BS 8579:2020 Guide to the design of balconies and terraces - 6-8mm drainage clearance
Life expectancy	20 years +





**AR-SYSTEM SUB-FRAME TECHNICAL INFORMATION**

**Adjustment Range**

Build up range is **59mm - 136mm**, including deckboards, depending on combination of pedestal model and joist.

	Build up (mm) including joist and 22mm deckboard	Joist (mm)	Pedestal
High	109-136	60	AR-PED20-60
	109-129	60	AR-PED20-51
	99-115	60	AR-PED20-38
	85-112	35	AR-PED20-60
	85-105	35	AR-PED20-51
Low	84-97	20	AR-PED20-60
	75-88	20	AR-PED20-51
	72-90	35	AR-PED20-38
	59-75	20	AR-PED20-38

Larger joists available - contact us for more information  
 Spreader plate adds 3mm to the height

**Tech Specs**

- Material: Aluminium **6063 T6**
- Minimum height: 20mm from floor to underside of joist
- Rated load capacity: 500kg
- Fire classification: **A1 (Aluminium construction with zinc-plated steel rod)**

**Pedestal & Joist Range**



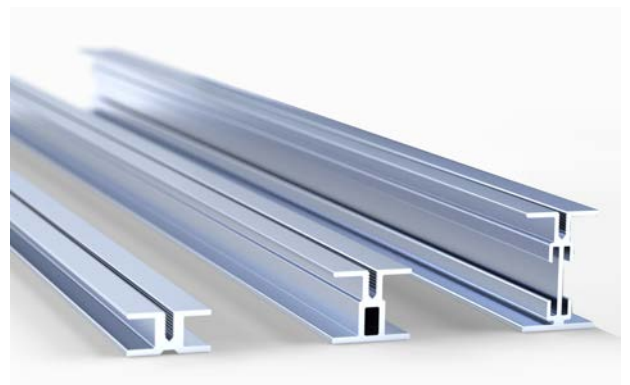
AR-PED20-38



AR-PED20-51



AR-PED20-60



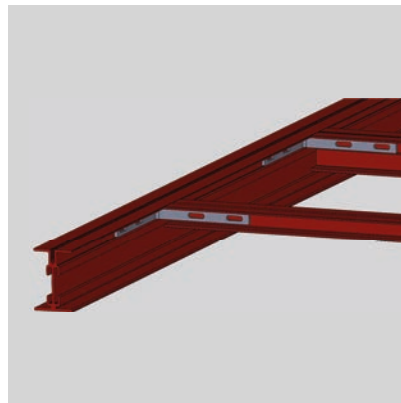
JOISTS available in heights of 20, 35 & 60mm



**AR-SYSTEM ACCESSORIES**



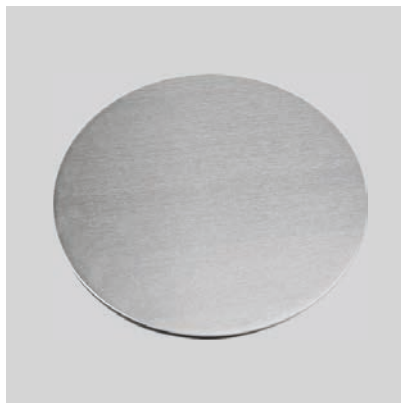
AR-BRACKET  
For 90° joist connection



AR-BRACKET  
example



AR-JOINER  
For 180° joist connection

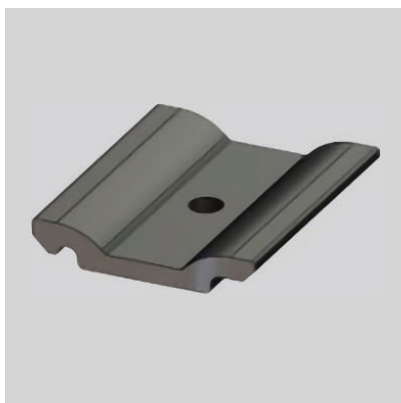


U-PLATE-150  
3mm Spreader Plate for use with  
insulation or waterproof membranes

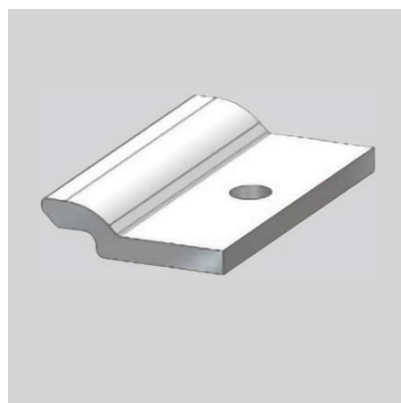


AR-CONNECTOR  
For stacked joists

**AR-DECK ACCESSORIES (Compatible with the AR-SYSTEM)**



AR-CLIP  
For connecting the  
deckboard to the joist



AR-END  
For connecting the first &  
last deckboard to the joist



AR-DECK-SCREW  
Compatible with both  
AR-CLIP & AR-END