



Tesi Single Lever Tall Basin Mixer

Illustrated

A6575 Tesi single lever tall basin mixer smooth body and 5lpm eco flow regulator

Configuration options

Material

Chrome Plated Metal

Weights

Colours

Chromium plated (AA)

Flow rates

5 Litres per minute @ 3 bar pressure

Standards

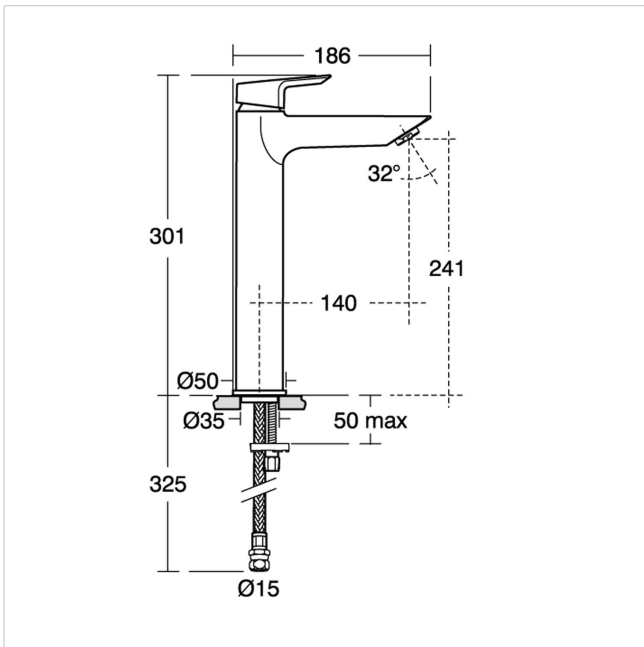
BS EN817

Special Notes

Suitable for balanced supplies. Inlets with flexible hoses. Factory fitted 5 lpm flow regulator. Consideration should be given to safe hot water delivery and the use of an appropriate temperature reduction device such as A5900AA.

Designer

Artefakt Industriekultur



Frequently used applications

Hotels

Public Building

Social Housing

Office

Residential

Student Accommodation

Features

Water Saving



Email: info@idealspec.co.uk
Tel: 0870 122 8822
Fax: 0870 122 8282
Web: www.idealspec.co.uk

