

# 275/K4 900A-1200A



## AUTOMATIC HYDRAULIC ANTI-TERRORISM BOLLARD WITH BUILT-IN UNIT

The 275/K4 900A and 275/M30 1200A automatic bollards have been designed to ensure the anti-terrorist defence. Current models are the result of our 40 years' experience in the security field and in excess of 20 years in the specific design and manufacture of automatic bollards.

The 275/K4 bollard is recommended for use in any security sensitive site like company driveways, industrial driveways, research centres, embassies, police facilities, military bases, etc..

The 275/K4 is available with a large number of optional accessories that allow you to customize your system according to your security needs.



PAG.1/3

**PILOMAT**  
**HÖRMANN**  
100% MADE IN ITALY

PILOMAT s.r.l.  
www.pilomat.com / pilomat@pilomat.com  
Via Zanica 17/p, 24050, Grassobbio (BG) Italy  
Tel. +39.035.29.72.20  
Copyright 2022© Pilomat S.r.l. All rights reserved

REVIEW 02/03/2022

*Information in this document is for reference only. In pursuit of its policy of continuous refinement and improvement, Pilomat reserves the right to amend this information at any time and without prior notice.  
Picture shown is for illustration purpose only.*

# 275/K4 900A-1200A



## AVAILABLE ITEMS

BOLLARD 275/K4 FEV - NORMAL STEEL PAINTED

BOLLARD 275/K4 IXV - STAINLESS STEEL PAINTED

BOLLARD 275/K4 IXS - STAINLESS STEEL BRUSHED

FOUNDATION BOX IN ALUZINC FOR 275/K4 - COUNTERFRAME AND REBARS  
ONE FOUNDATION BOX FOR EACH BOLLARD

CONTROL UNIT FOR 275/K4

MULTILED LIGHTING STRIP- 25 LED POINTS

E.F.O. CIRCUIT FOR EMERGENCY RISING (ABOUT 1")

ACOUSTIC WARNING SIGNAL FOR AUTOMATIC BOLLARD

REFLECTING ADHESIVE STRIP - WHITE (NO-LOGO)

HEAD WITHOUT LOGO FOR 275/K4

PAINTING WITH RAL COLOUR ON REQUEST

CYLINDER IN AISI 316 STAINLESS STEEL

BIODEGRADABLE OIL FOR HYDRAULIC UNIT

HEATING RESISTANCE FOR BOLLARDS - TRANSFORMER AND THERMOSTAT  
ONE RESISTANCE FOR EACH BOLLARD

RADIO RECEIVER

RADIO TRANSMITTER TWO-CHANNEL

TRAFFIC LIGHT WITH TWO LIGHTS (GREEN-RED)

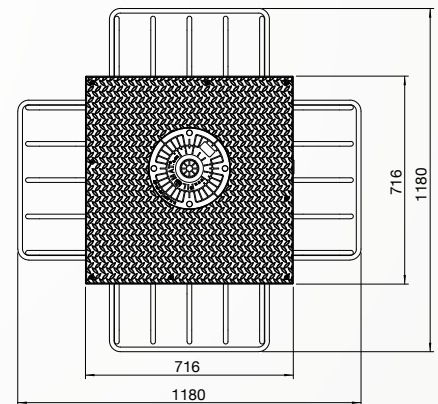
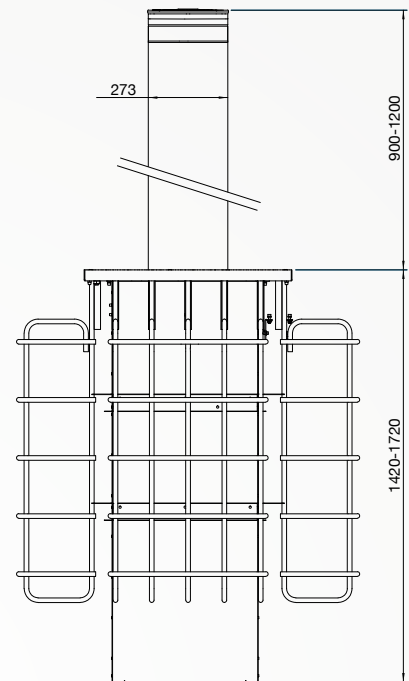
INDUCTIVE DETECTOR FOR LOOPS

INDUCTIVE LOOPS

TIMER PROGRAMMER

CARD READER

LOCK SELECTOR



PAG.2/3

**PILOMAT**  
**HÖRMANN**  
100% MADE IN ITALY

PILOMAT s.r.l.  
www.pilomat.com / pilomat@pilomat.com  
Via Zanica 17/p, 24050, Grassobbio (BG) Italy  
Tel. +39.035.29.72.20  
Copyright 2022© Pilomat S.r.l. All rights reserved

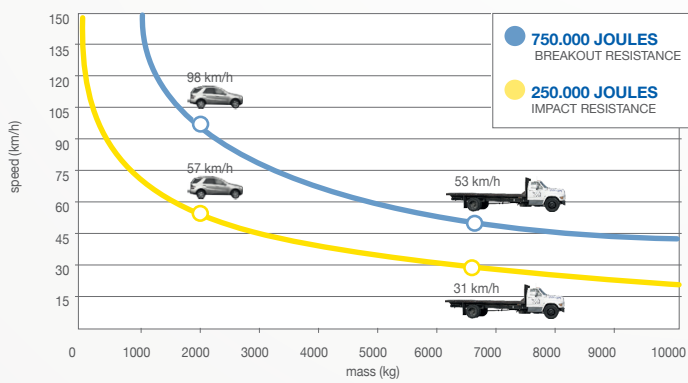
REVIEW 02/03/2022

Information in this document is for reference only. In pursuit of its policy of continuous refinement and improvement, Pilomat reserves the right to amend this information at any time and without prior notice.  
Picture shown is for illustration purpose only.

# 275/K4 900A-1200A



	275/K4-900A	275/M30-1200A
CYLINDER MATERIAL	S355JR NORMAL STEEL X5CrNi 18-10 (AISI 304) STAINLESS STEEL - X5CrNiMo 17-12-12 (AISI 316) STAINLESS STEEL	
CYLINDER DIAMETER	273mm	
CYLINDER HEIGHT	900mm	1200mm
CYLINDER THICKNESS	10mm	16mm
MOVEMENT PRINCIPLE	HYDRAULIC	
CYLINDER NORMAL STEEL FINISH	ANTI-CORROSION TREATMENT - GREY ANTHRACITE STANDARD PAINTING	
CYLINDER STAINLESS STEEL FINISH	GREY ANTHRACITE STANDARD PAINTING OR BRUSHING	
OTHER CYLINDER FINISH	KNURLING	
REFLECTING ADHESIVE STRIP	STANDARD - HEIGHT 55mm	
RISING SPEED	12,5cm/s (OPTIONAL: E.F.O. RISING TIME 1")	22cm/s (OPTIONAL: E.F.O. RISING TIME 1")
LOWERING SPEED	26cm/s	30cm/s
MANUAL EMERGENCY LOWERING	STANDARD	
CONNECTION LINE TO CONTROL UNIT	STANDARD 10m (MAX. LENGTH 80m - WITH HEATING RESISTANCE MAX. 50m)	
VOLTAGE FOR CONTROL UNIT	230/400VAC (+/- 10%) 50/60HZ	
HYDRAULIC UNIT	BUILT-IN INTO THE BOLLARD	
PROTECTION CLASS	IP67	
TYPE OF USE	INTENSIVE - 2.000 CYCLES/DAY	
LIFE UNITS	3.000.000 CYCLES	
IMPACT RESISTANCE (WITHOUT DEFORMATION)	250.000 J	700.000 J
BREAKOUT RESISTANCE	750.000 J	1.200.000 J
NOMINAL OPERATING TEMPERATURE	-40 °C +70 °C (FOR LOW TEMPERATURES SEE THE HEATING RESISTANCE)	
ANTI-CORROSION TREATMENT "M"	OPTIONAL - RECOMMENDED FOR INSTALLATIONS AT LESS THAN 2KM FROM THE SEA OR WHERE SALT IS USED TO PREVENT THE FORMATION OF ICE ON ROADS DURING WINTER	
LOAD CLASS (EN124)	D400	
CERTIFIED	PAS68:2013 V/7500(N3)/48/90:1.0/2.5 IWA14-1:2013 V/7200(N3)/48/90:1.0 ASTM F2656-18a C730 P1	PAS68:2013 V/7500(N3)/48/90:4.6/4.9 IWA14-1:2013 V/7200(N3)/48/90:4.9 ASTM F2656/F2656M-20 C730 P2



2.000 Kg

7.500 kg

