

# 220/P 600A-800A



## HYDRAULIC BOLLARD WITH BUILT-IN PUMP

The 220/P 600A and 220/P 800A automatic bollards are the top line products of the PILOMAT range. Current models are the result of our 40 years' experience in the security field and in excess of 20 years in the specific design and manufacture of bollards.

The 220/P bollard is recommended for use in any pedestrian areas, private parkings, business parkings, private driveways, business driveways, commercial driveways.

The 220/P is available with a large number of optional accessories that allow you to customize your system according to your security needs.



PAG.1/3

**PILOMAT**  
**HÖRMANN**  
100% MADE IN ITALY

PILOMAT s.r.l.  
www.pilomat.com / pilomat@pilomat.com  
Via Zanica 17/p, 24050, Grassobbio (BG) Italy  
Tel. +39.035.29.72.20  
Copyright 2021© Pilomat S.r.l. All rights reserved

REVIEW 08/09/2021

*Information in this document is for reference only. In pursuit of its policy of continuous refinement and improvement, Pilomat reserves the right to amend this information at any time and without prior notice.  
Picture shown is for illustration purpose only.*

## AVAILABLE ITEMS

BOLLARD 220/P FEV - NORMAL STEEL PAINTED

BOLLARD 220/P IXV - STAINLESS STEEL PAINTED

BOLLARD 220/P IXS - STAINLESS STEEL BRUSHED

FOUNDATION BOX IN ALUZINC FOR PILOMAT 220/P - COUNTERFRAME AND BRACKETS  
ONE FOUNDATION BOX FOR EACH BOLLARD

CONTROL UNIT FOR 220/P

MULTILED LIGHTING STRIP - 8 LED POINTS

ACOUSTIC WARNING SIGNAL FOR AUTOMATIC BOLLARD

REFLECTING ADHESIVE STRIP - WHITE (NO-LOGO)

HEAD WITHOUT LOGO FOR PILOMAT 220/P 600A

PAINTING WITH RAL COLOUR ON REQUEST

BIODEGRADABLE OIL FOR HYDRAULIC UNIT

HEATING RESISTANCE FOR PILOMAT BOLLARDS - TRANSFORMER AND THERMOSTAT  
ONE RESISTANCE FOR EACH BOLLARD

RADIO RECEIVER

RADIO TRANSMITTER TWO-CHANNEL

TRAFFIC LIGHT WITH TWO LIGHTS (GREEN-RED)

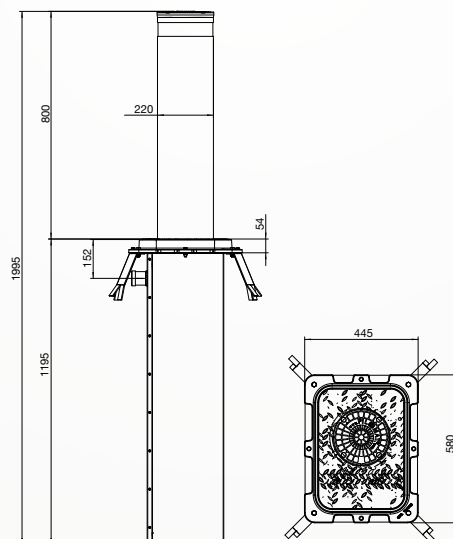
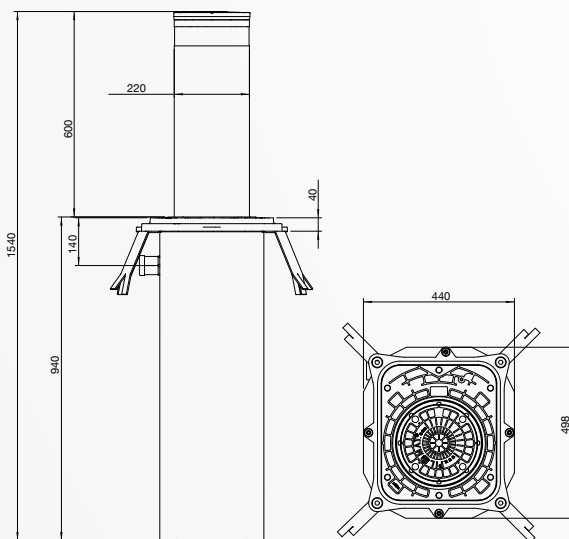
INDUCTIVE DETECTOR FOR LOOPS

INDUCTIVE LOOPS

TIMER PROGRAMMER

INDUCTIVE CARD READER

LOCK SELECTOR



PAG.2/3

**PILOMAT**  
**HÖRMANN**  
100% MADE IN ITALY

PILOMAT s.r.l.  
www.pilomat.com / pilomat@pilomat.com  
Via Zanica 17/p, 24050, Grassobbio (BG) Italy  
Tel. +39.035.29.72.20  
Copyright 2021© Pilomat S.r.l. All rights reserved

REVIEW 08/09/2021

# 220/P 600A-800A



	220/P-600A	220/P-800A
CYLINDER MATERIAL	S235JR NORMAL STEEL - X5CrNi 18-10 (AISI 304) STAINLESS STEEL	
CYLINDER DIAMETER	220mm	
CYLINDER HEIGHT	600mm	800mm
CYLINDER THICKNESS	4mm	
MOVEMENT PRINCIPLE	HYDRAULIC	
CYLINDER NORMAL STEEL FINISH	ANTI-CORROSION TREATMENT - STANDARD PAINTING GREY ANTHRACITE	
CYLINDER STAINLESS STEEL FINISH	GREY ANTHRACITE STANDARD PAINTING OR BRUSHING	
REFLECTING ADHESIVE STRIP	STANDARD - HEIGHT 55mm	
RISING SPEED	15cm/s	15cm/s
LOWERING SPEED	30cm/s	25cm/s
MANUAL EMERGENCY LOWERING	STANDARD	
SAFETY REVERSAL	STANDARD	
CONNECTION LINE TO CONTROL UNIT	STANDARD 10m (MAX. LENGTH 80m - WITH HEATING RESISTANCE MAX. 50m)	
VOLTAGE FOR CONTROL UNIT	230/400Vac (+/- 10%) 50/60Hz	
HYDRAULIC UNIT	BUILT-IN INTO THE BOLLARD	
PROTECTION CLASS	IP67	
TYPE OF USE	INTENSIVE - 2.000 CYCLES/DAY	
LIFE UNITS	3.000.000 CYCLES	
IMPACT RESISTANCE (WITHOUT DEFORMATION)	30.000 J	
BREAKOUT RESISTANCE	150.000 J	
NOMINAL OPERATING TEMPERATURE	-40 °C +70 °C (FOR TEMPERATURES SEE THE HEATING RESISTANCE)	
LOAD CLASS (EN124)	D400	

