

533 prescal cold

pressure reducing valve



CERTIFICATION MARK

altecnic
Caleffi group

533 prescal cold pressure reducing valve

Application

Pressure reducing valves are installed in residential water systems to reduce and stabilise inlet pressures from mains water supplies or boosted water systems, which generally are too high and variable for domestic appliances to function correctly.

The 533 Cold series is specially designed for cold services in houses or apartments to reduce or equalise the cold water supply and prevent excessive pressure at outlets such as taps and showers.

Design

533 pressure reducing valves have a specially shaped diaphragm to give accurate pressure regulation in response to changes in downstream pressure.

The larger outlet chamber creates a low exit velocity which is effective in reducing water noise.

The control stem housing of the cartridge is made from a plastic material with a low co-efficient of adhesion, which reduces the probability of scale deposits forming, the main cause of pressure reducing valve malfunction.

The cartridge and strainer screen are easily removed for periodic cleaning and maintenance.

Valves for use with copper tube have compression ends complying with BS EN 1254-2*

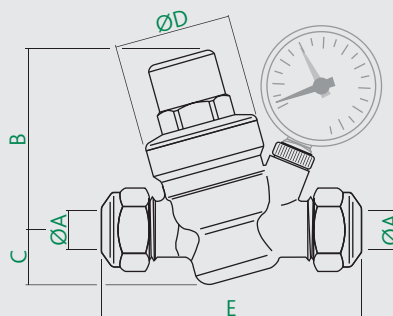
Construction Details

Component	Material	Grade
Body - threaded	Brass chrome plated	BS EN 12165 CW617N
Body- compression	DZR alloy	BS EN 12165CW602N
Cover	Nylon	PA 66GF30
Control stem	DZR alloy	BS EN 12164 CW724R
Cartridge	POM	
Internal components	DZR alloy	BS EN 12164 CW724R
Diaphragm	EPDM elastomer	
Seals	EPDM elastomer	
Strainer screen	Stainless st. AISI 304	BS EN 10088-2

Product Code	Size	Connection	Type
533641	15mm	compression	Cu x Cu
533651	22mm	compression	Cu x Cu
533741	15mm	compression	Cu x Cu with gauge port
533751	22mm	compression	Cu x CU with gauge port
533841	15mm	compression	Cu x Cu with pressure gauge
533851	22mm	compression	Cu x Cu with pressure gauge
533041	½"	screwed iron	F x F
533051	¾"	screwed iron	F x F
533441	½"	screwed iron	F x F - with gauge port
533451	¾"	screwed iron	F x F - with gauge port
533241	½"	screwed iron	F x F - with pressure gauge
533251	¾"	screwed iron	F x F - with pressure gauge
533151	¾"	screwed iron	M x F swivel
CA-100594	22mm	compression	22 x 15 mm press.reducer
533461	1"	screwed iron	F x F - with gauge port

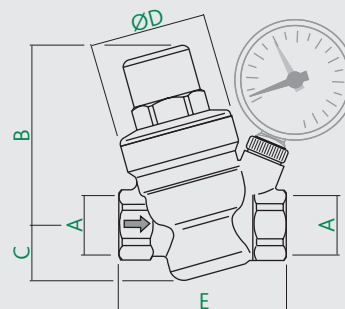
Dimensions

Compression Ends



Prod Code	A	B	C	D	E	kg
533641	Ø15	72.5	22.5	46	91	0.41
533651	Ø22	72.5	22.5	46	93	0.45
533741	Ø15	72.5	22.5	46	103	0.46
533751	Ø22	72.5	22.5	46	107	0.51
533841	Ø15	72.5	22.5	46	103	0.55
533851	Ø22	72.5	22.5	46	107	0.57
CA-100594	Ø22	72.5	22.5	46	93	0.60

Threaded Ends



Prod Code	A	B	C	D	E	kg
533041	G½	72.5	22.5	46	64	0.39
533051	G¾	72.5	22.5	46	66	0.42
533441	G½	72.5	22.5	46	70	0.45
533451	G¾	72.5	22.5	46	72	0.46
533241	G½	72.5	22.5	46	70	0.51
533251	G¾	72.5	22.5	46	72	0.52
533151	G¾	72.5	22.5	46	85.5	0.46
533461	G1	72.5	22.5	46	87	0.58

Technical Data

Max inlet pressure:	16 bar
Outlet pressure setting range:	1 to 6 bar
Factory setting:	3 bar
Max working temperature:	40°C [^]
Pressure gauge range:	0 to 10 bar
Medium:	potable water
Pressure gauge connection:	G¼

[^] For temperatures up to 90°C refer to 533H

* Use with R250 (half hard) copper tube

Altecnic Ltd Mustang Drive, Stafford, Staffordshire ST16 1GW

T: +44 (0)1785 218200 E: sales@altecnic.co.uk

Registered in England No: 2095101

altecnic.co.uk

AL 019 01-04-18

E & O.E

© Altecnic Limited. 2018

ALTECNIC™

altecnic
Caleffi group