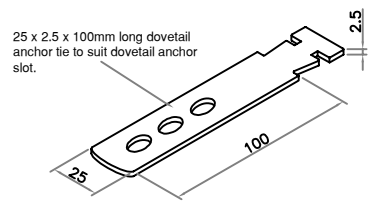
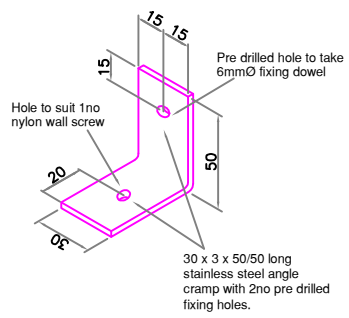


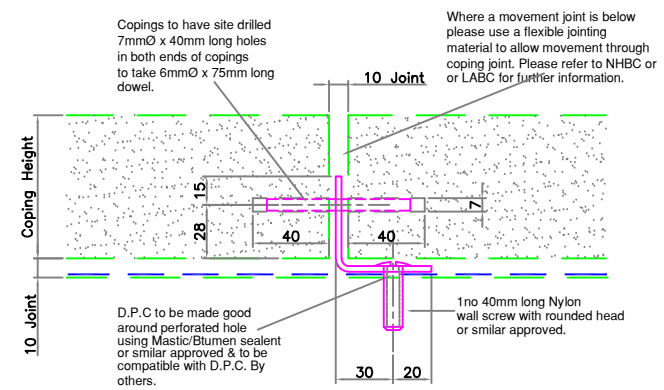
Typical Restraint Fixings For Raking Copings



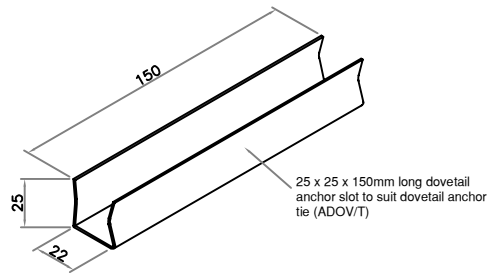
Dovetail Anchor Tie Type (ADOV/T)



Typical Restraint Fixings For Copings on Horizontal Plain

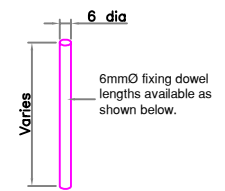


Section Through Restraint Cramp



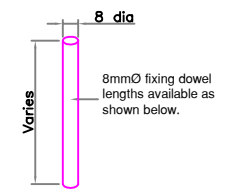
Dovetail Anchor Slot Type (ADOV/S)
Typical Jamb Restraint Details

Typical Coping Fixings Details



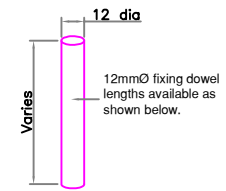
- 6mmØ x 50 long - Code ADOW-6/50
- 6mmØ x 75 long - Code ADOW-6/75
- 6mmØ x 100 long - Code ADOW-6/100

Typical 6mmØ Fixing Dowel



- 8mmØ x 50 long - Code ADOW-8/50
- 8mmØ x 75 long - Code ADOW-8/75
- 8mmØ x 100 long - Code ADOW-8/100
- 8mmØ x 150 long - Code ADOW-8/150

Typical 8mmØ Fixing Dowel



- 12mmØ x 50 long - Code ADOW-12/50
- 12mmØ x 75 long - Code ADOW-12/75
- 12mmØ x 100 long - Code ADOW-12/100
- 12mmØ x 150 long - Code ADOW-12/150

Typical 12mmØ Fixing Dowel

Typical Fixing Dowel Details

NOTES

1. This drawing must only be used for the purposes intended and must not be scaled; only written or calculated dimensions to be used.
2. All hand made cast stone supplied by Amber Valley Stone confirms to:
 - a) BS1217 (2008)
 - b) CAT weathering class
3. Amber Valley Stone heads are decorative only and not structural, a structural lintel will be required.
4. All steelwork fixings and details are to be designed and supplied by others (unless stated otherwise)
5. Fixing methods shown in any Amber Valley Stone drawing are suggestions only and must be checked by a structural engineer. Amber Valley Stone cannot be held responsible for fixing / supporting methods.
6. Cast-in sockets for lifting MUST only be used for lifting within a vertical plane. See manufacturer's literature - available from Amber Valley Stone - for correct usage.
7. Technical data sheets and guidance notes are available from Amber Valley Stone on request.
8. All dowel holes to be drilled on site by others unless stated otherwise.

Revision Details	Initial	Date	Suffix

AMBER VALLEY STONE

Amber Valley Stone Ltd
West Way, Somercotes, Derbyshire, DE55 4QJ
Tel: 01773 540707
Website: www.ambervalleystone.co.uk
Company e-mail: info@ambervalleystone.co.uk

Client

Project

Title

Drawn	Checked	Date	Scale
		24.07.20	1:10

Project Manager

Email [@ambervalleystone.co.uk](mailto:info@ambervalleystone.co.uk)

Project No.

Drawing No.	Rev.